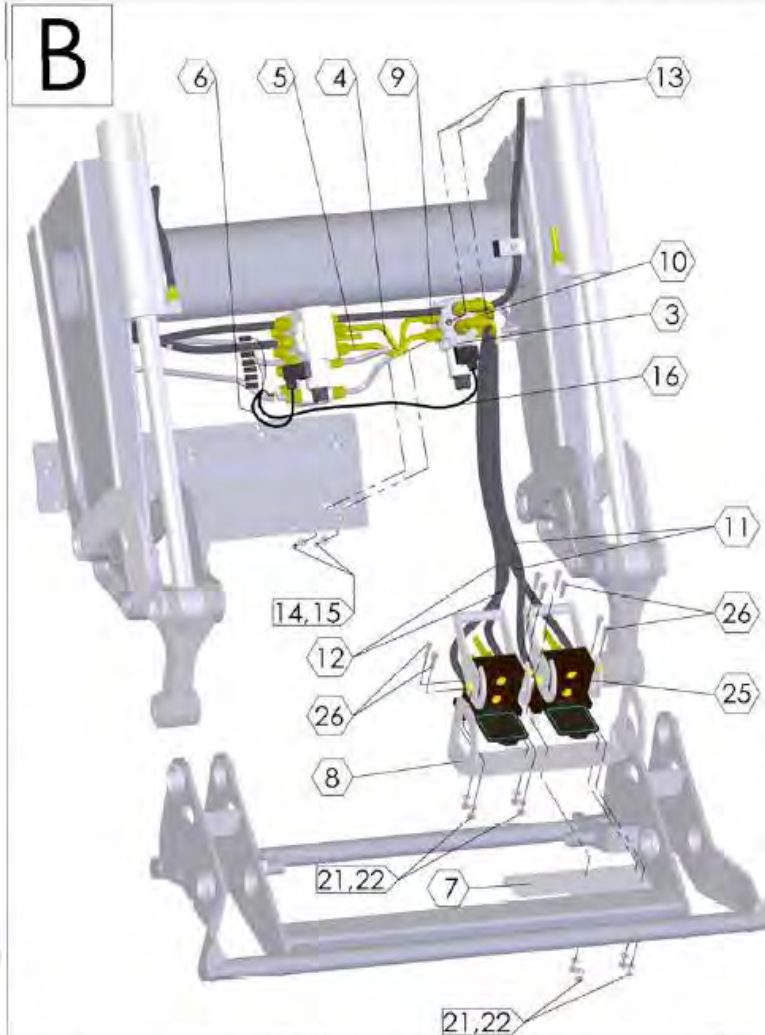
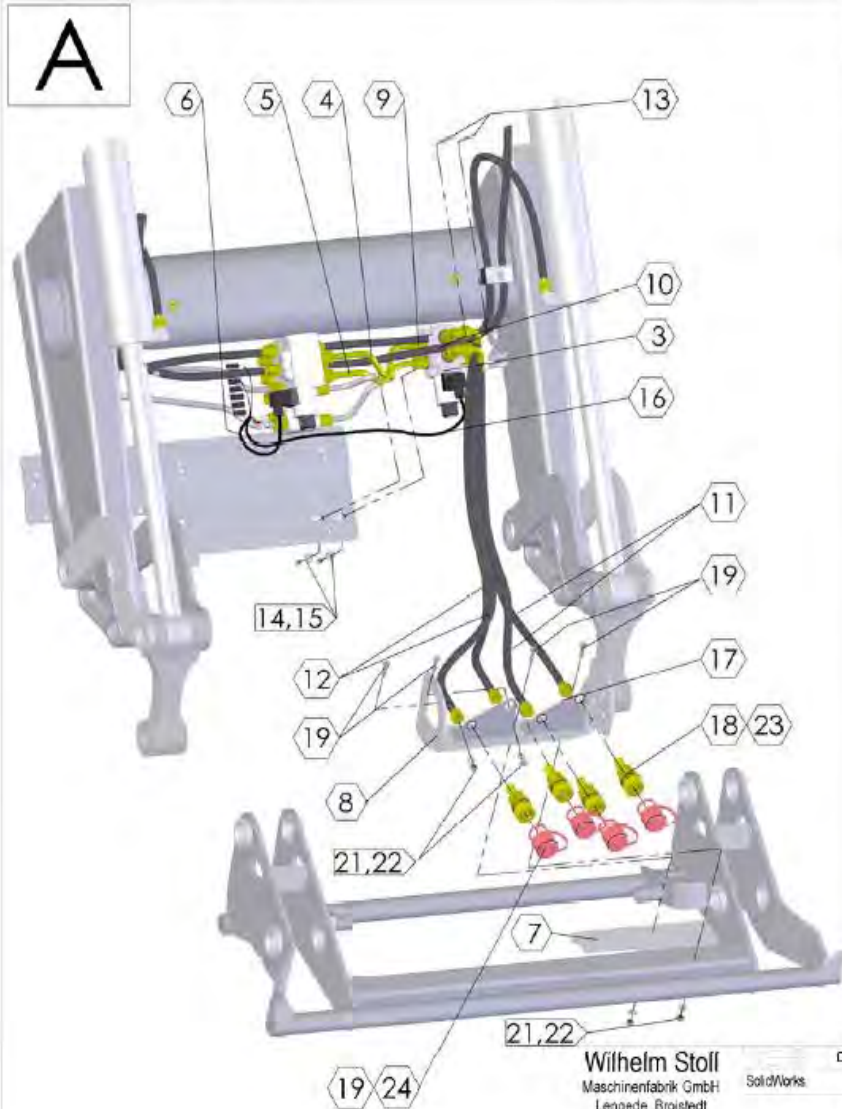


<b>WILHELM STOLL</b> Maschinenfabrik GmbH Postfach 3  38266 Lengede		Istruzioni di montaggio per FS / FZ Installation-instruction for ROBUST FS / FZ / Instruction de montage pour Robust FS / FZ <b>Equipaggiamento aggiuntivo 4° funzione</b> <b>Equipment after-Set 4. Control unit</b> <b>Equipement additionnel 4. Fonction</b>		n. pubblicazione: Publication-no: <b>A1920/ 3465970B</b> Impimé-no:  Data / date / date 08.12.2008	
<b>A</b> Equipaggiamento a Vite/Innesto Equipment Threaded / Plug in coupling Equipement Embrayage		<b>B</b> Equipaggiamento Hydrofix Equipement Hydrofix		58.725-84 3466020 FS/FZ 4-60	
Tipo / Delivery range / Lot de livraison: <u>Nachrüstung 4. Steuerkreis</u>					
Pos.	Nr./No/No	Descrizione / Description / Designation			
1	3455740	Cavo kpl. ( + spina ) / Cable cpl. (Beam) / Cable cpl.(Brancard)	58.725-25-01	1	1
2	3456090	Elt7Kit 45/ Electrical equipment 45 / Equipment électrique 45	58.725-25-10	1	1
3	1429100	Blocco valvole/ Valve block / Bloc-soupapes	58.725-19-04-01	1	1
4	3454830	Tubo rigido / Hydraulic pipe / Tuyau hydraulique	58.725-19-04-02	1	—
4	3454850	Tubo rigido / Hydraulic pipe / Tuyau hydraulique	58.735-19-04-02	—	1
5	3454840	Tubo rigido / Hydraulic pipe / Tuyau hydraulique	58.725-19-04-03	1	—
5	3454860	Tubo rigido / Hydraulic pipe / Tuyau hydraulique	58.735-19-04-03	—	1
6	3466790	Cavo elettrico elettrov/ Cable valve / Cable valve	58.725-19-03-11	1	1
7	3456250	Supporto/ Support / Support	58.725-02-02-00.2	1	—
8	3477690	Supporto/Support / Support	58.735-02-02-00.2	—	1
9	1428930	Raccordo / Screwed connection / Raccord droit	WA GES 12LR-WD	6	6
10	0207801	Raccordo curvo / Elbow connection / Raccord coude	WA EWSD 12LR	2	2
11	1429370	Tubo flessibile/ Hose pipe / Flexible	10x850 1SC NN P-ARB 225 BAR	2	2
12	1429360	Tubo flessibile/ Hose pipe / Flexible	10x900 1SC NN P-ARB 225 BAR	2	2
13	1430090	Vite / Cylinder screw / Vis à cylindre	M8x55 D931 8.8ZN	2	2
14	0412570	Dado / Nut / Ecrou	NM 6 D985 8ZN-blau	2	2
15	0418390	Rondella / Washer / Rondelle	A 6,4 DIN 9021 STZN	2	2
16	3466810	Cavo elettrico elettrov/ Cable valve / Cable valve	58.725-19-03-12	1	1

<b>WILHELM STOLL</b> Maschinenfabrik GmbH Postfach 3  38266 Lengede		Istruzioni di montaggio per FS / FZ Installation-instruction for ROBUST FS / FZ / Instruction de montage pour Robust FS / FZ <b>Equipaggiamento aggiuntivo 4° funzione</b> <b>Equipment after-Set 4. Control unit</b> <b>Equipement additionnel 4. Fonction</b>					n. pubblicazione: Publication-no: <b>A1920/ 3465970B</b> Impimé-no:  Data / date / date 08.12.2008		
Tipo / Delivery range / Lot de livraison: Nachrüstung 3.Steuerkreis							<b>58.725-84</b> 3466020 FS/FZ 4-60	<b>58.737-84</b> 3466030 FS/FZ 20.1-80.1	
Pos.	Nr./No/No	Descrizione / Description / Designation							
	3456310	Connessione Hydrofix / Equipment Hydrofix / Equipement Hydrofix	58.725-319-05					X (2)	X (2)
	3456300	Connessione a vite/Equip.Threaded coupling / Embrayage	58.725-319-04					X (2)	X (2)
	3456290	Innesto rapido/ Equip. plug-in coupling / Embrayage	58.725-319-03					X (2)	X (2)
17	3308850	Supporto / Support / Support	58.420-06-00.1	1	1				
18	1429760	Raccordo / Adapter plug / Raccord	VOSW HP10-2-N1218	2					
19	0205800	Tappo / Guard plug / Capuchon	VOSW HP10-O-RT 004	2					
20	0011110	Vite / Screw / Vis	M8x25 D933 8.8ZN	2	2				
21	0452140	Rondella / Safety Ring / Bague de securité	8 Hedtm.Norm ZN	2	2	4			
22	0011630	Vite / Nut / Screw	M8 D934 8ZN	2	2	4			
23	0416570	Innesto maschio/ Hydraulic coupling / Manchon d'accouplement	VOSW HS10-1-N1218		2				
24	0418490	Tappo / Guard plug / Capuchon GR 3			2				
25	1405590	Hydrofix	Fast 2P206-2-2/18F			1			
26	0478260	Vite / Cylinder screw / Vis á cylindre	M8x25 D912 8.8ZN			4			
	3456380	ELT7KIT 36 / Electrical equipment 36 / Equipment électrique 36	58.725-25-36					X	X
	3462840	ELT7KIT 41 / Electrical equipment 41 / Equipment électrique 41	58.725-25-41					X	X
	3456350	ELT7KIT 33 / Electrical equipment 33 / Equipment électrique 33	58.725-25-33					X	X
	3462830	ELT7KIT 40 / Electrical equipment 40 / Equipment électrique 40	58.725-25-40					X	X
	3456420	ELT7KIT 38 / Electrical equipment 38 / Equipment électrique 38	58.726-25-38					X	X
	3456430	ELT7KIT 39 / Electrical equipment 39 / Equipment électrique 39	58.726-25-39					X	X
	3465920	ELT7KIT 47 / Electrical equipment 47 / Equipment électrique 47	58.725-25-27					X	X
	3465910	ELT7KIT 46 / Electrical equipment 46 / Equipment électrique 46	58.725-25-28					X	X



Wilhelm Stoll  
 Maschinenfabrik GmbH  
 Lengede Broistedt

SolidWorks

DIN A4  
 Bearb.  
 Status

Datum  
 08.07.2008  
 Freigegeben

Name  
 Schlump

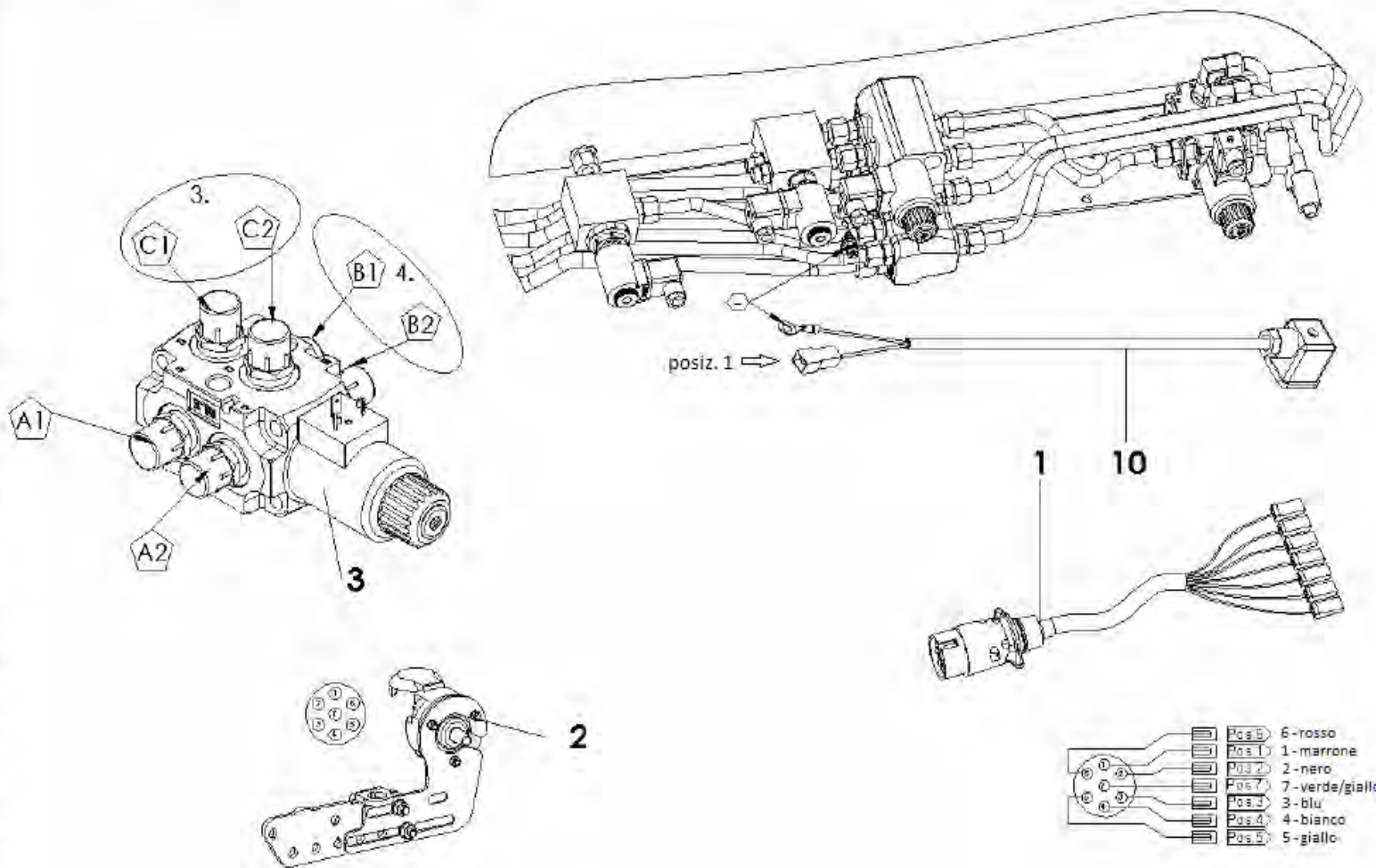
Zeichn-Nr.  
 A1920  
 Benennung

Nachrüstung 4. Steuerkreis

Sach-Nr.

3465970 B

Version



L19210 - Epilectierung durch maulz ke am 06.12.2008 15:56:41 - J:\Arbeitsdaten\Muelen\6533-54-613271 - A1920