

WILHELM STOLL Maschinenfabrik GmbH Postfach 3 38266 Lengede		Istruzioni di montaggio per FS / FZ Installation-instruction for ROBUST FS / FZ / Instruction de montage pour Robust FS / FZ Equipaggiamento aggiuntivo 3° funzione Equipment after-Set 3. Control unit Equipement additionnel 3. Fonction					n. pubblicazione: Publication-no: A1919/ 3465960B Impimé-no: Data / date / date 04.12.2008	
A	Equipaggiamento a Vite/Innesto Equipment Threaded / Plug in coupling Equipement Embrayage		B	Equipaggiamento Hydrofix Equipement Hydrofix		58.725-83 3466000 FS/FZ 4-60	58.735-83 3466010 FS/FZ 20.1-80.1	
	Tipo / Delivery range / Lot de livraison: Nachrüstung 3.Steuerkreis							
Pos.	Nr./No/No	Descrizione / Description / Designation						
1	3455740	Cavo kpl. (+ spina) / Cable cpl. (Beam) / Cable cpl.(Brancard)	58.725-25-01			1	1	
2	3456090	Elt7Kit 45/ Electrical equipment 45 / Equipment électrique 45	58.725-25-10			1	1	
3	1428930	Raccordo / Screwed connection / Raccord droit	WA GES 12LR-WD			2	2	
4	1430170	Magnetventilspule / Elettrovalvola	Walvoil			1	1	
5	1429380	Tubo flessibile / Hose pipe / Flexible	10x1100 1SC NN P-ARB 225 BAR			2	—	
5	1429390	Tubo flessibile / Hose pipe / Flexible	10x1300 1SC NN P-ARB 225 BAR			—	2	
6	1429300	Fermo / Pipe clip / Attache de tuyau	2D-15 SW215/15			1	1	
7	1429310	supp. fermo / Cover plate / Platine	GD 2D SW			1	1	
8	0201820	Vite / Screw / Vis	M8x50 D931 8.8ZN			1	1	
9	0200600	Dado / Nut / Ecrou	NM 8 D985 8ZN-blau			1	1	
10	3466790	Cavo elettr. elettrov. / Cable valve / Cable valve	58.725-19-03-11			1	1	
11	3477610	Schutzbügel / Supporto	58.725-02-02-00.3			—	1	
	3456310	Hydrofix / Equipment Hydrofix / Equipement Hydrofix	58.725-319-05			X	X	
	3456300	Innesto a vite/ Equip.Threaded coupling / Embrayage	58.725-319-04			X	X	
	3456290	Innesto rapido / Equip. plug-in coupling / Embrayage	58.725-319-03			X	X	
12	3308850	Supporto/ Support / Support	58.420-06-00.1	1	1			
13	1429760	Raccordo / Adapter plug / Raccord	VOSW HP10-2-N1218	2				
14	0205800	Tappo/ Guard plug / Capuchon	VOSW HP10-O-RT 004	2				
15	0011110	Vite / Screw / Vis	M8x25 D933 8.8ZN	2	2			
16	0452140	Rondella/ Safety Ring / Bague de sécurité	8 Hedtm.Norm ZN	2	2	4		
17	0011630	Vite / Nut / Screw	M8 D934 8ZN	2	2	4		
18	0416570	Innesto maschio/ Hydraulic coupling / Manchon d'accouplement	VOSW HS10-1-N1218		2			
19	0418490	Tappo / Guard plug / Capuchon GR 3			2			
20	1405590	Hydrofix	Fast 2P206-2-2/18F			1		
21	0478260	Vite / Cylinder screw / Vis à cylindre	M8x25 D912 8.8ZN			4		

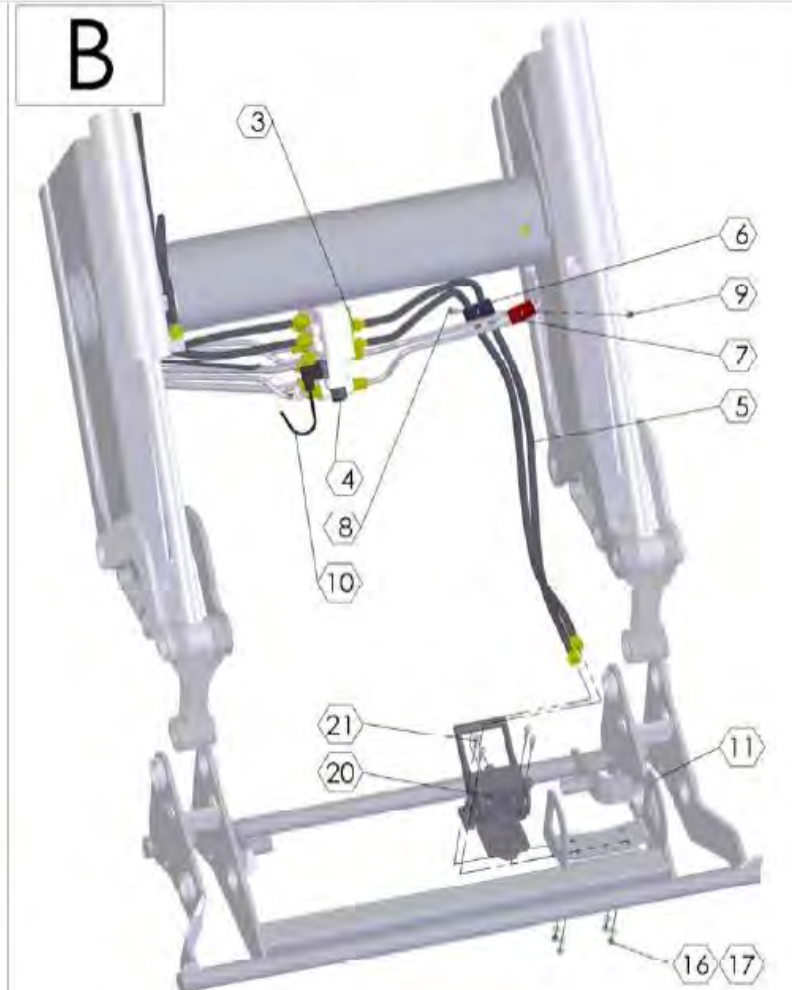
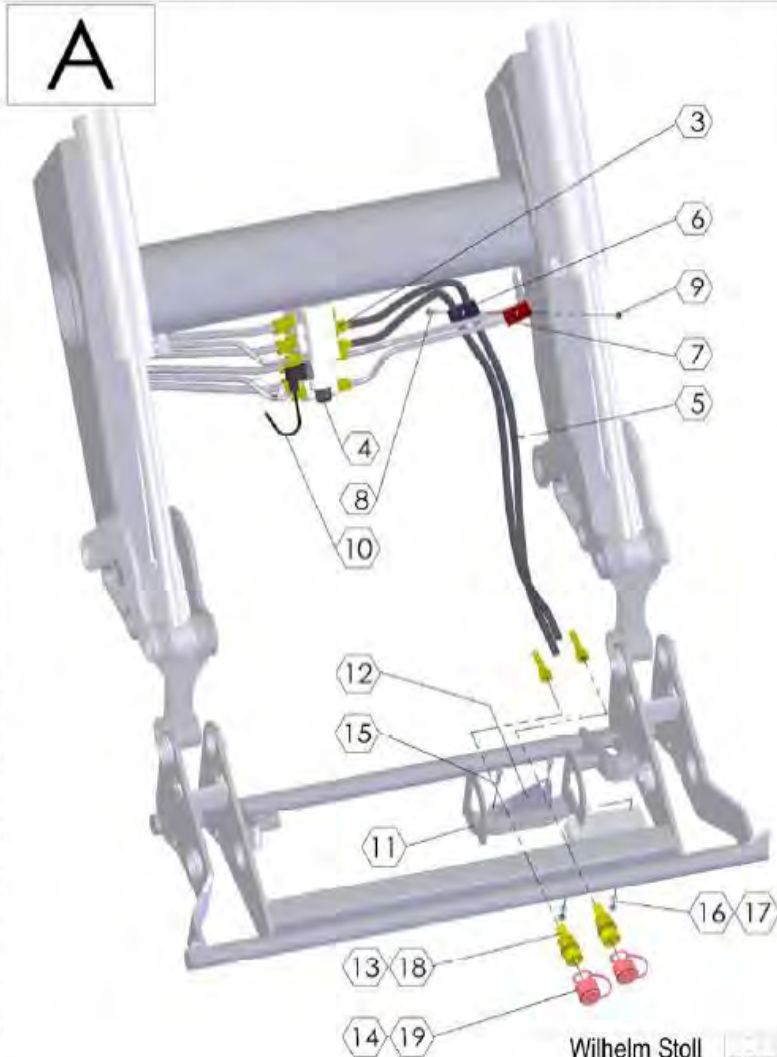
WILHELM STOLL Maschinenfabrik GmbH Postfach 3 38266 Lengede	Istruzioni di montaggio per FS / FZ Installation-instruction for ROBUST FS / FZ / Instruction de montage pour Robust FS / FZ Equipaggiamento aggiuntivo 3° funzione Equipment after-Set 3. Control unit Equipement additionnel 3. Fonction	n. pubblicazione: Publication-no: A1919/ 3465960B Impimé-no: Data / date / date 04.12.2008
---	---	--

Tipo / Delivery range / Lot de livraison: Nachrüstung 3.Steuerkreis

58.725-83
3466000
FS/FZ 4-60

58.737-83
3466010
FS/FZ 20.1-80.1

Pos.	Nr./No/No	Descrizione / Description / Designation					
	3456370	ELT7KIT 35	58.725-25-35			X	X
	3456330	ELT7KIT 31	58.725-25-31			X	X
	3456340	ELT7KIT 32	58.725-25-32			X	X
	3456360	ELT7KIT 34	58.726-25-34			X	X
	3456440	ELT7KIT 44	58.725-25-30			X	X



Wilhelm Stoll
 Maschinenfabrik GmbH
 Lengede Broistedt

SolidWorks

DIN A4

Bearb.

Status

Datum

04.07.2008

Name

Schlump

Freigegeben

Zeichn-Nr.

A1919

Benennung

Nachrüstatz 3. Steuerkreis

Sach-Nr.

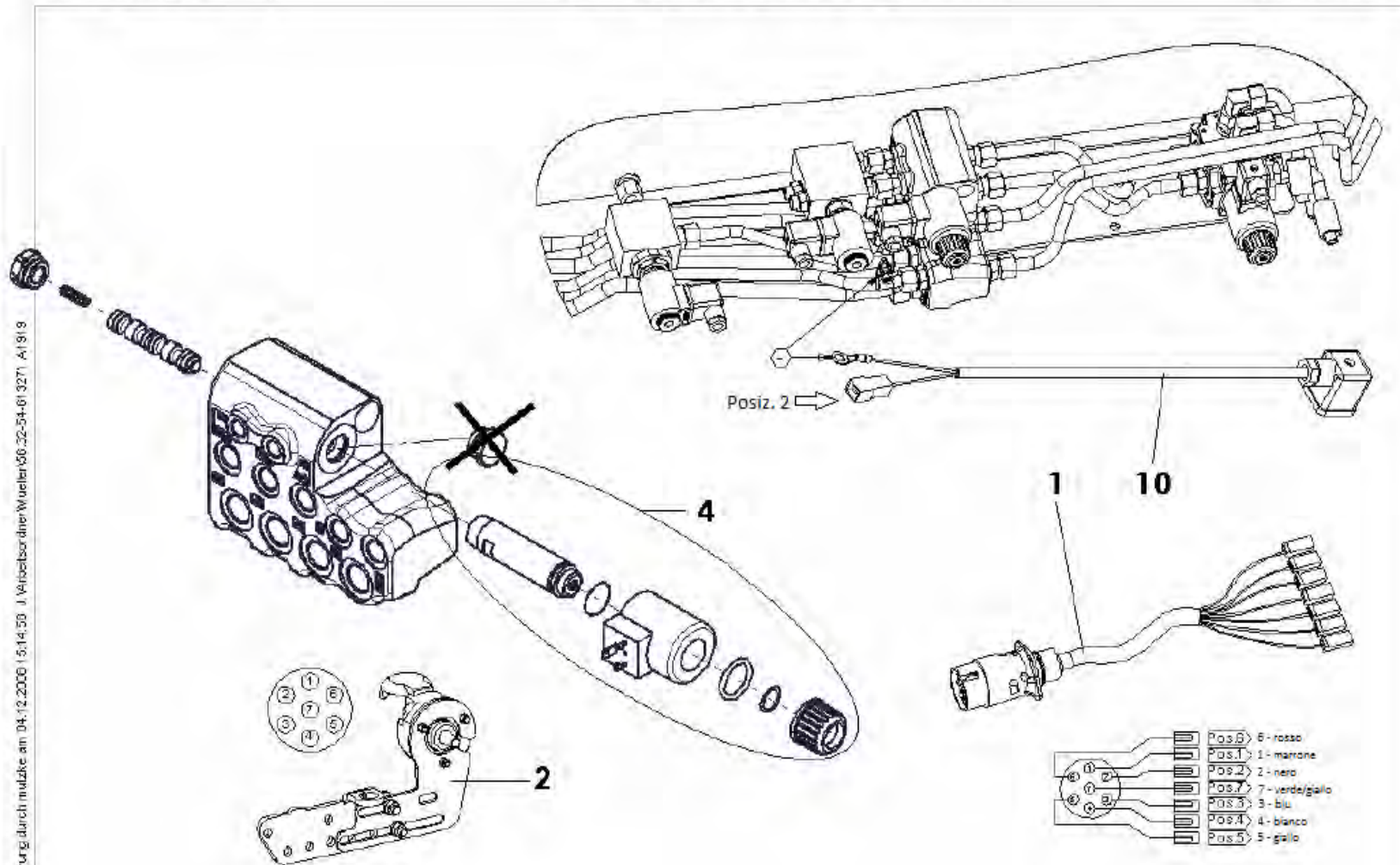
3465960

Version

B

Version

B



Letzte Speicherung durch malzke am 04.12.2008 15:14:50 in Verzeichnis ihrer Wueller 60.22-54-61 3271 A1919

Wilhelm Stoll Maschinenfabrik GmbH Lengede Droistert	DIR 44	Datum	Name	Zeichn-Nr.	Sach-Nr.	Version
	Status	Freigegeben	Schlump	A 1919 Nachrüstsatz 3 Steuerkreis	3465960	B