

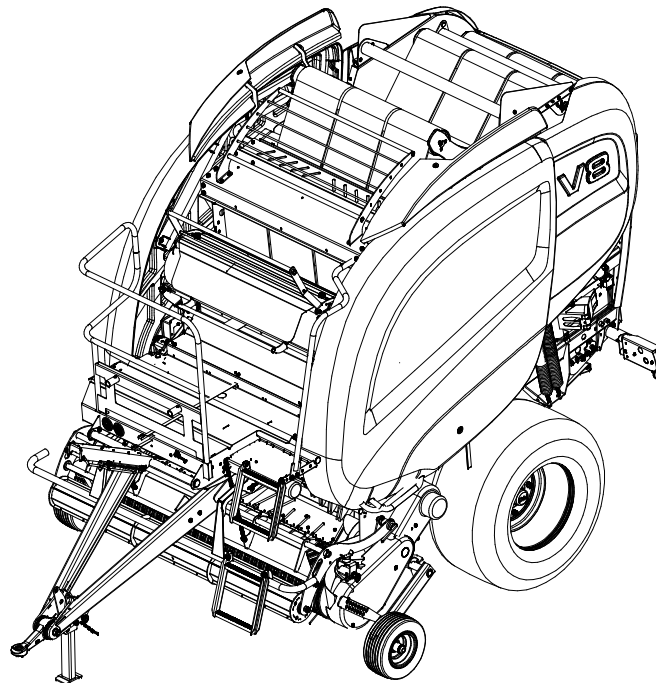
McHale



QUALITY

I.S. EN ISO 9001:2015

NSAI Certified



V8940

Spare Parts Book

McHale,
Ballinrobe,
Co. Mayo, Ireland.

Tel: +353 94 9520300

Fax: +353 94 9520356

Email: sales@mchale.net

Website: www.mchale.net

This page is intentionally left blank

Introduction

The **McHale V8940** which you have purchased has been developed through years of constant research and development. Given proper care and attention the **V8940** will give years of reliable and dependable performance. However it is important that the operators manual is read and fully understood to achieve this, **before** the machine is operated. As part of this philosophy it is vital to use only **genuine McHale** replacement parts, as these are manufactured to the same high standard as the original machine. These may be obtained through your **McHale** dealer.

If any part of this manual is not fully understood, please contact your **McHale** dealer who will be able to answer any questions or queries that you might have. It is important to quote the machine serial number when requiring spare parts or technical assistance. Space is provided below to record the machine details:

Serial number:	
Year of manufacture:	
Date of delivery:	

If you require further copies of this spare parts manual please
quote part number CLT01276

Note: Parts described as left and right are done so according to the direction that the machine normally travels in.

Note: Due to a policy of continuous product development and improvement *McHale Engineering* reserve the right to alter machine specifications without prior notice.

Contents

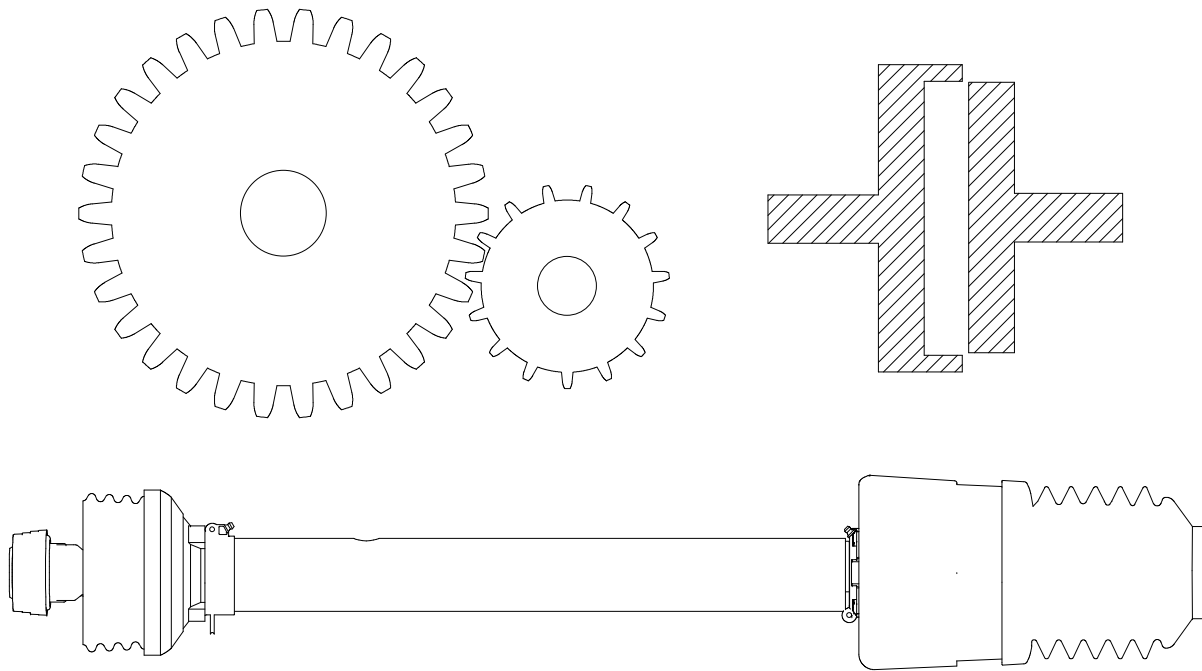
Section	Page	Document	Section	Page	Document
V8940			Chopper Unit / Pick Up Reel / Crop Roller		
PTO / Gearbox / Clutch	6	SPD01187	Pick-up reel shaft [Camtrack] (805)	22	SPD00805
PTO Shaft 540rpm Standard Duty [491]	8	SPD00491	Pick-up reel shaft [Camless] (977)	24	SPD00977
PTO Shaft 540rpm HD [From Serial No 662277 & 900212] (1204)	10	SPD01204	Pick-up reel chassis [Camtrack] (804)	26	SPD00804
PTO Shaft 1000rpm (1145)	12	SPD01145	Pick-up reel chassis [Camless] (978)	28	SPD00978
Gearbox 1 (605)	14	SPD00605	Chopper housing rear (896)	30	SPD00896
Gearbox 2 [540 RPM] (135)	16	SPD00135	Chopper housing front (897)	32	SPD00897
Gearbox 3 [1000 RPM] (1132)	18	SPD01132	Crop roller single [Standard] (775)	34	SPD00775
Chopper Unit / Pick Up Reel / Crop Roller	20	SPD01382	Crop roller double [Camless] (966)	36	SPD00966
Chassis	44	SPD01383	Crop roller triple [From Serial No, (F5) 712699 & (V6) 805523] (1134)	38	SPD01134
Chamber Rollers	50	SPD01384	Rotor [0 Knife Standard] (900)	40	SPD00900
Drawbar / Stand / Hitch	78	SPD01385	Drop floor suspension [0K Standard] 2016 Onwards (991)	42	SPD00991
Standing Platform / Guard Rail / Hose Carrier	86	SPD01386	Chain & Sprocket Primary LHS (1355)	122	SPD01355
Panels / Covers	94	SPD01387	Chain & Sprocket Top LHS (1349)	124	SPD01349
Axle / Wheel / Brake	102	SPD01388	Chain & Sprocket Bottom LHS (1350)	126	SPD01350
Chains / Belts / Sprockets	114	SPD01389	Chain & Sprocket Primary RHS (1356)	128	SPD01356
Chamber Belt (1361)	116	SPD01361	Chain & Sprocket Camtrack Chopper Unit LHS (1357)	130	SPD01357
Belt & Pulley Netter 1 (1362)	118	SPD01362	Chain & Sprocket Camtrack Chopper Unit RHS (1358)	132	SPD01358
Belt, Pulley & Netter Clutch, (1363)	120	SPD01363	Chain & Sprocket Camless Chopper Unit RHS (1359)	134	SPD01359
Bale Damper	140	SPD01390	Chain & Sprocket Camless Chopper Unit LHS (1360)	136	SPD01360
Netter	144	SPD01391	Chain Guards (1364)	138	SPD01364
Twiner	152	SPD01392	Chassis		
Electrics	158	SPD01193	Front Chamber (1373)	46	SPD01373
Hydraulics	172	SPD01194	Rear Chamber (1374)	48	SPD01374
Decals	192	SPD01195	Chamber Rollers		
Accessories	200	SPD01399			
Marker Board & Reg Plate Europe (1370)	202	SPD01370			
SMV Sign America [Option] (1371)	204	SPD01371			

Section	Page	Document	Section	Page	Document
Chamber Rollers			Axle / Wheel / Brake		
Tension Arm & Roller Assy (1381)	52	SPD01381	Axle & wheels (773)	104	SPD00773
Moving roller (854)	54	SPD00854	Axle braked (838)	106	SPD00838
Tension arm rollers (858)	56	SPD00858	Axle Air-brake [From Serial No 802238 On] (951)	108	SPD00951
Top drive roller (639)	58	SPD00639	Handbrake (691)	110	SPD00691
Top cleaning auger (963)	60	SPD00963	Air brake kit (695)	112	SPD00695
Bottom drive roller (640)	62	SPD00640	Bale Damper		
Mid cleaning auger (646)	64	SPD00646	Bale Damper (1393)	142	SPD01393
Small idle roller (645)	66	SPD00645	Netter		
Top pressed roller [From Serial No 800350] (770)	68	SPD00770	Netter unit 1 (1123)	146	SPD01123
Bottom pressed roller (643)	70	SPD00643	Netter unit 2 (1124)	148	SPD01124
Slatted roller (641)	72	SPD00641	Net tensioner (1125)	150	SPD01125
Lower rear door rollers (1026)	74	SPD01026	Twiner		
Rear door rollers (859)	76	SPD00859	Twiner 1 [Available in selected markets only] (1034)	154	SPD01034
Drawbar / Stand / Hitch			Twiner 2 [Available in selected markets only] (1035)	156	SPD01035
Hitch & Coupling Head (1338)	80	SPD01338	Electrics		
Drawbar Stands (1339)	82	SPD01339	Electrical control V6 [Serial No 805001 to 808431] (1027)	160	SPD01027
Drawbar (1341)	84	SPD01341	Electrical control V6 [From Serial No 808432] (1126)	162	SPD01126
Standing Platform / Guard Rail / Hose Carrier			Light Kit (1369)	164	SPD01369
Standing Platform & Handrail (1342)	88	SPD01342	Camera & monitor kit (1079)	166	SPD01079
Guardrails (1343)	90	SPD01343	Rear Light & Bkt (1372)	168	SPD01372
Hose & PTO Shaft Carrier (1344)	92	SPD01344	Load Cell BSI (1394)	170	SPD01394
Panels / Covers			Hydraulics		
Front Panels LHS/RHS (1345)	96	SPD01345	Hydraulic Schematic (1404)	174	SPD01404
Top Panels (1346)	98	SPD01346	Hydraulic Rams (1365)	176	SPD01365
Rear Panel (1348)	100	SPD01348	Valve door tension (1059)	178	SPD01059
Grease Pipe Layout (1395)	186	SPD01395	Valve knives & floor [Used on all F5500 & on V660 from Serial No 800276+] (801)	180	SPD00801
Manual Grease Blocks (1396)	188	SPD01396	Oil system 1 (619)	182	SPD00619
Auto Grease Blocks & Pump (1397)	190	SPD01397			

Section	Page	Document	Section	Page	Document
Hydraulics					
Oil & Grease fittings (553)	184	SPD00553			
Decals					
Safety & Info Decals [1] (1377)	194	SPD01377			
Safety & Info Decals [2] (1380)	196	SPD01380			
Logo & Decal Kit (1379)	198	SPD01379			
Accessories					
Accessories 1 (1398)	206	SPD01398			

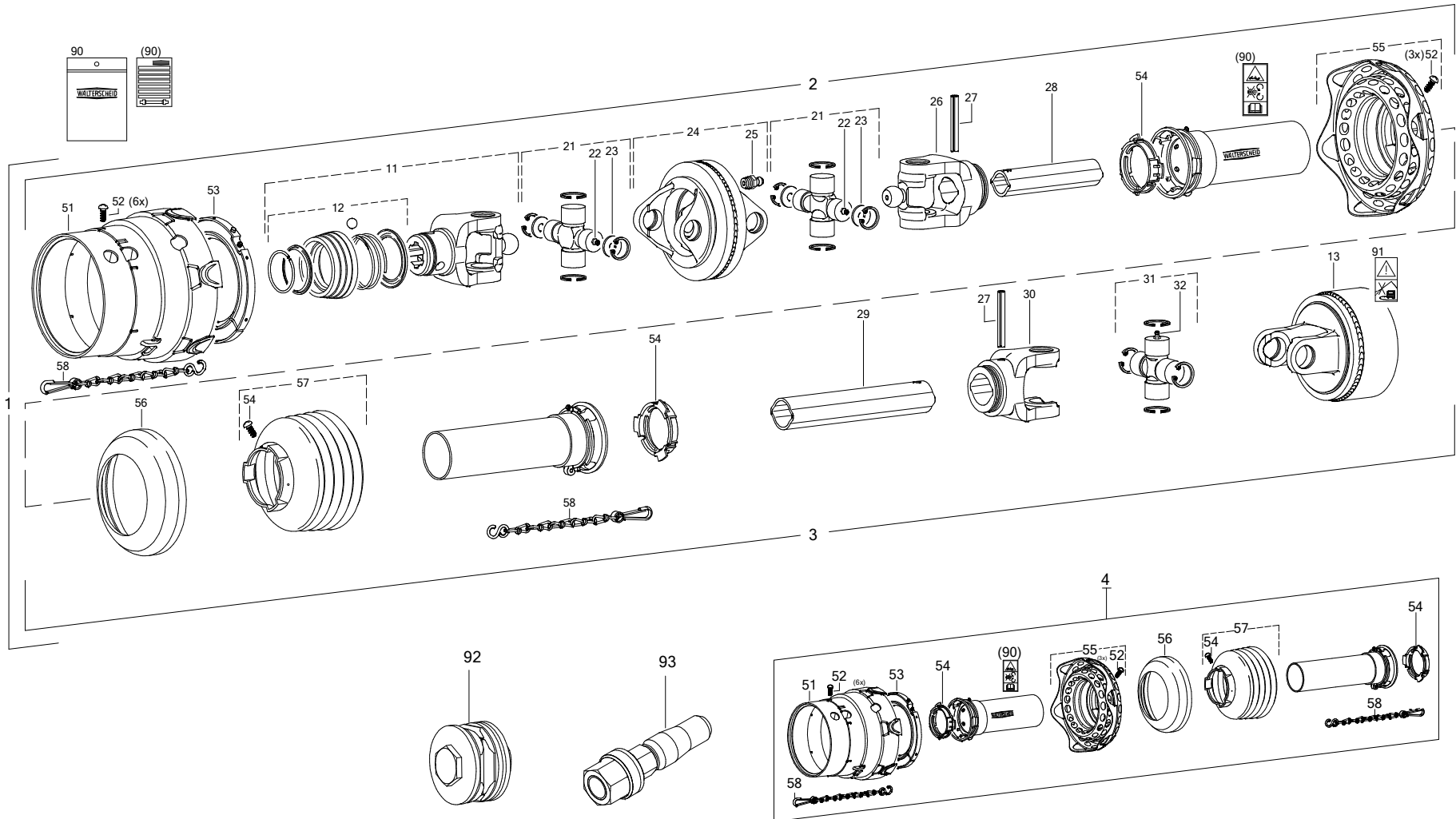
This page is intentionally left blank

PTO / Gearbox / Clutch



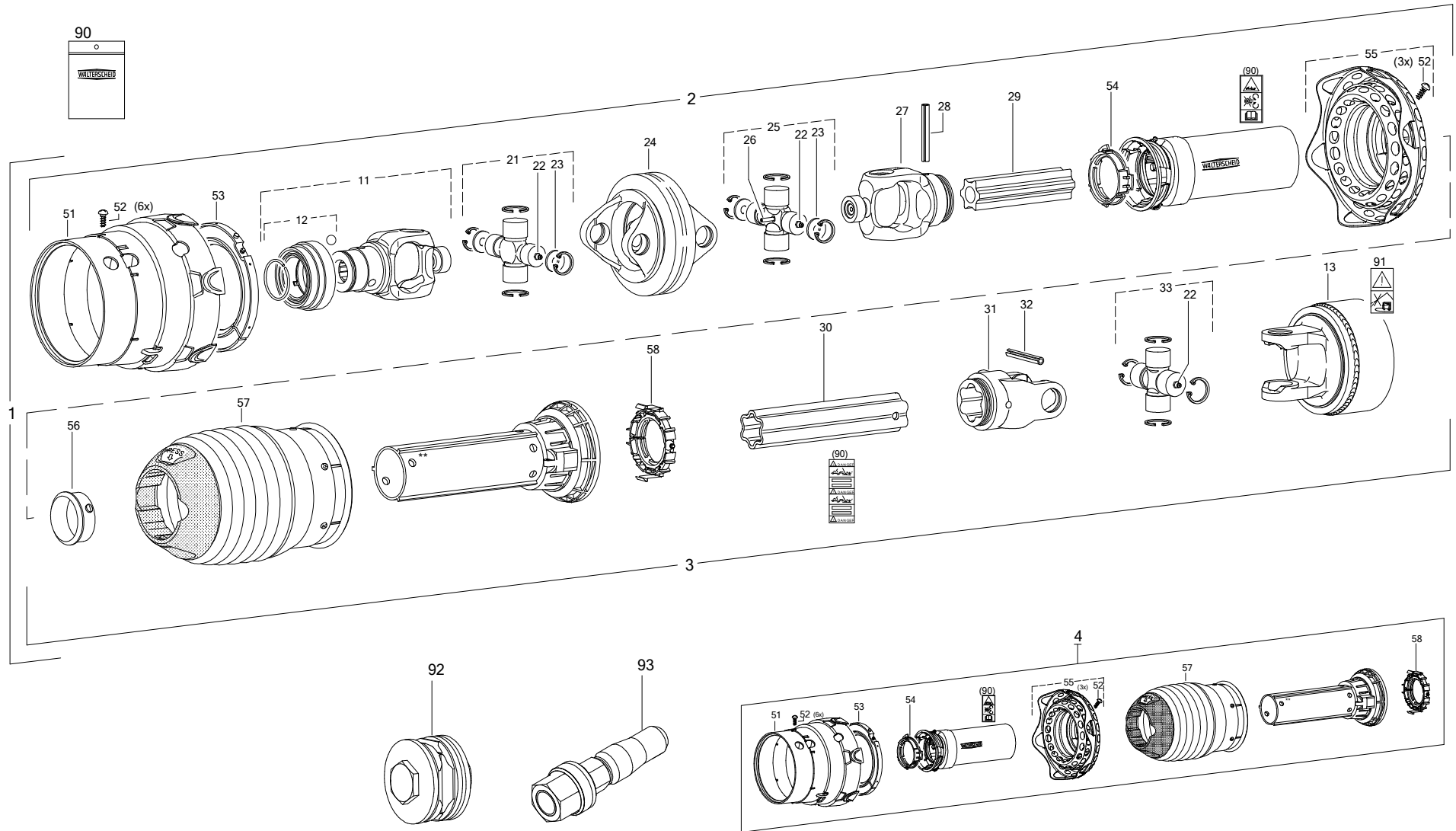
No.	Part No	Description	Qty
	SPD01187	PTO / GEARBOX / CLUTCH	

PTO Shaft 540rpm Standard Duty [491]



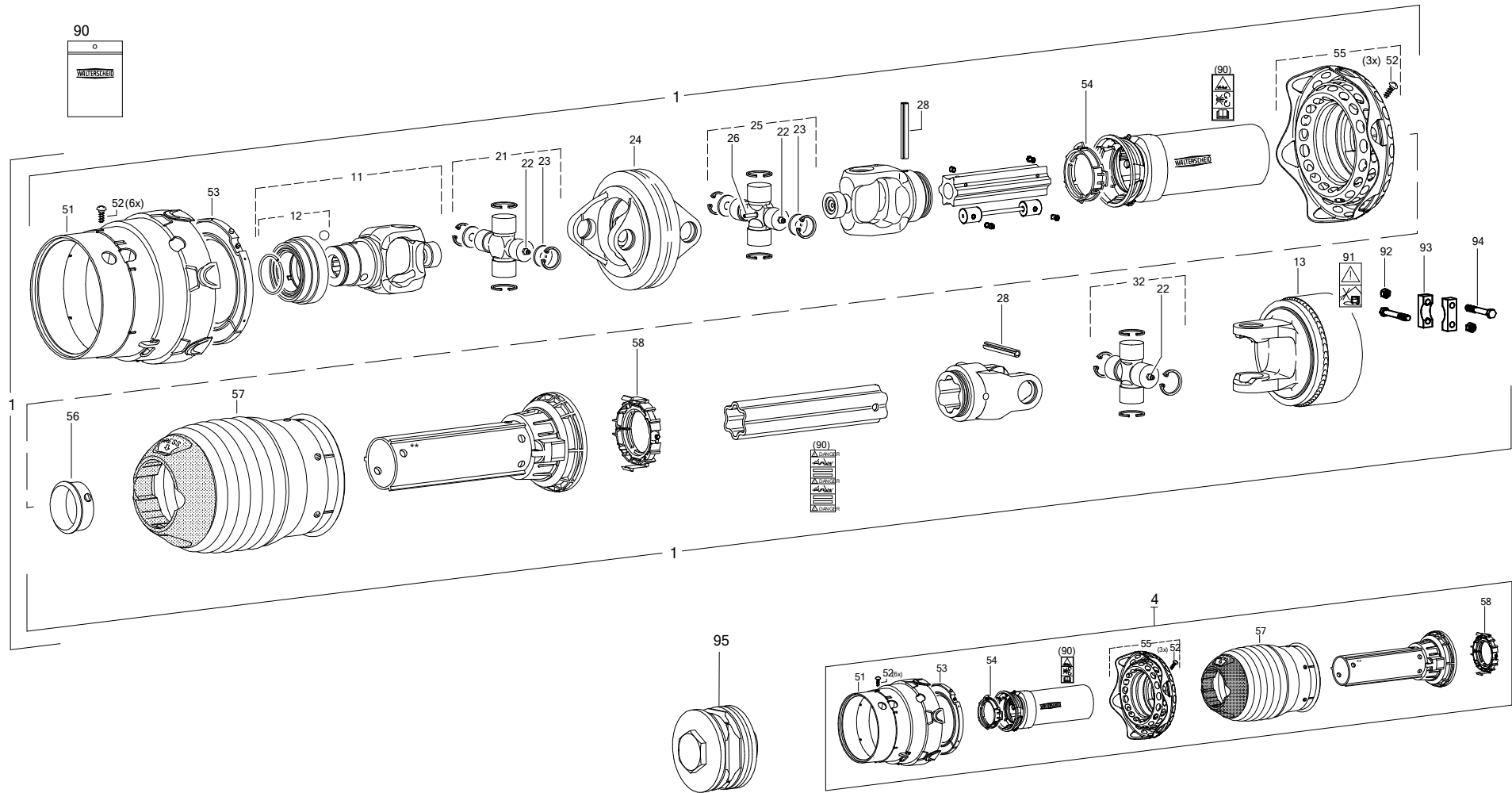
No.	Part No	Description	Qty
1	CMT00165	PTO SHAFT 1560MM FUSION2	1
2	CMT00178	PTO SHAFT FUS 2 TRACTOR HALF	1
3	CMT00179	PTO SHAFT FUSION 2 BALER HALF	1
4	CMT00257	PTO GUARD COMPLETE ASM CMT00062-165-250	1
11	CMT00081	YOKE QUICK DISCONNECT 1 3/4" 6 SPLINE	1
11	CMT00186	YOKE END 1 3/4" 20 SPLINE OPTION	1
12	CMT00174	KIT QUICK RELEASE DRV SF 6 SPLINE ONLY	1
13	CMT00083	CLUTCH CAM TYPE FUSION	1
21	CMT00084	UNIVERSAL JOINT TYPE 1	2
22	CFA00097	GREASE NIPPLE	2
23	CMT00085	PLATE DIA 26.95X2 FUSION PTO	4
24	CMT00086	YOKE DOUBLE WITH GREASE NIPPLE	1
25	CFA00628	GREASE NIPPLE M8X1 STRAIGHT	1
26	CMT00087	YOKE INNER SMALL PROFILE TUBE	1
27	CFA00629	SPLIT PIN 10X80	2
28	CMT00188	PROFILE TUBE COATED INNER	1
29	CMT00190	PROFILE TUBE OUTER	1
30	CMT00090	INNER YOKE LARGE PROFILE TUBE	1
31	CMT00091	UNIVERSAL JOINT TYPE 2	1
32	CFA00103	GREASE NIPPLE	1
51	CMT00169	CONE GUARD PTO FUSION	1
52	CFA00630	SCREW M4X10 FUSION PTO	10
53	CMT00093	BEARING RING LARGE DIA. FUSION	1
54	CMT00095	BEARING RING SMALL FUSION PTO	2
55	CMT00189	FLEXIBLE GUARD CONE	1
56	CMT00096	REINFORCEMENT COLLAR FUSION	1
57	CMT00097	GUARD CONE FUSION PTO	1
58	CCH00046	SAFETY CHAIN 400MM FUSION PTO	1
90	CLT00082	DECAL+MANUAL WARNING PTO SHAFT	1
91	CST00133	DECAL NO HIGH PRESSURE CLEANER	1
92	CMT00471	SPRING PACK CLUTCH 2200NM K64/24	1
93	CMT00158	CLAMP PIN BALER PTO SHAFT 7540	1

PTO Shaft 540rpm HD [From Serial No 662277 & 900212] (1204)



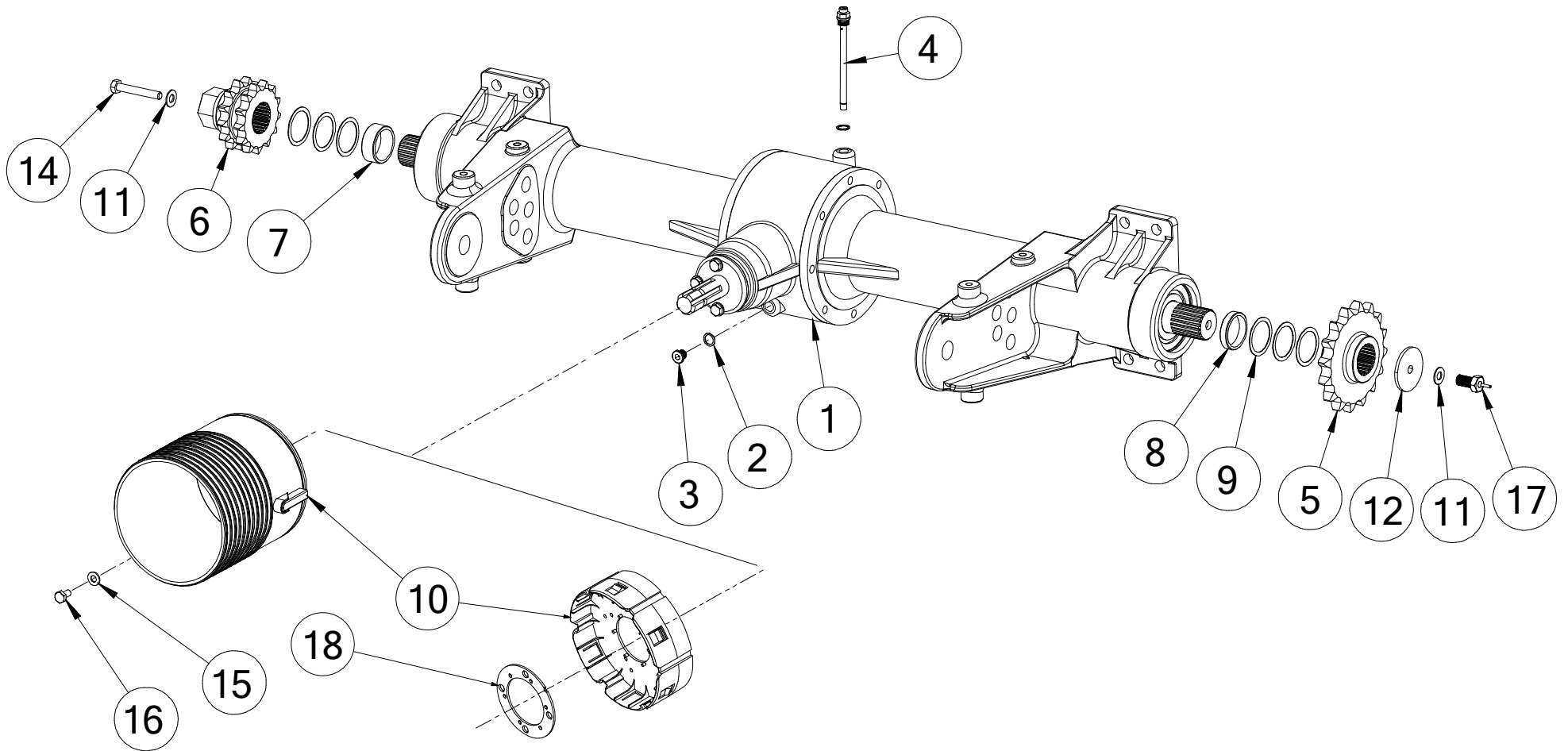
No.	Part No	Description	Qty
1	CMT00230	PTO SHAFT P580 FUSION2 +2011	1
2	CMT00255	PTO SHAFT TRACTOR HALF P580 2011	1
3	CMT00256	PTO SHAFT BALER HALF P580 2011	1
4	CMT00695	PTO GUARD COMP. 1610-K64/24R 540RPM	1
11	CMT00338	YOKE COMPLETE HD PTO QS	1
11	CMT00186	YOKE END 1 3/4 20 SPLINE	1
12	CMT00337	KIT QUICK RELEASE HD PTO QS	1
13	CMT00213	CLUTCH CAM TYPE	1
21	CMT00235	UNIVERSAL JOINT WIDE ANGLE	1
22	CFA00097	GREASE NIPPLE	3
23	CMT00215	PLATE DIA. 31.95X2	4
24	CMT00234	PTO DOUBLE YOKE	1
25	CMT00236	UNIVERSAL JOINT WIDE ANGLE	1
26	CMT00237	LUBRICATION FITTING	1
27	CMT00238	PTO YOKE	1
28	CFA00629	SPLIT PIN 10X80	1
29	CMT00218	PROFILE TUBE INNER	1
30	CMT00219	PROFILE TUBE OUTER PWE580 STAR	1
31	CMT00220	YOKE PTO	1
32	CFA00871	ROLL PIN 10X90	1
33	CMT00240	PTO UNIVERSAL JOINT	1
51	CMT00222	GUARD CONE	1
52	CFA00630	SCREW M4X10 FUSION PTO	9
53	CMT00170	BEARING RING PTO FUSION	1
54	CMT00095	BEARING RING SMALL FUSION PTO	1
55	CMT00189	FLEXIBLE GUARD CONE	1
56	CMT00456	BEARING RING PK500-400 PTO SHAFT	1
57	CMT00457	CONE ADAPTOR 367MM PK500-400 PTO	1
58	CMT00242	PTO GUARD RING	1
90	CLT00326	PTO PWE580 INSTRUCTION MANUAL	1
91	CST00133	DECAL NO HIGH PRESSURE CLEANER	1
92	CMT00471	SPRING PACK CLUTCH 2200NM K64/24	1
93	CMT00158	CLAMP PIN BALER PTO SHAFT 7540	1

PTO Shaft 1000rpm (1145)



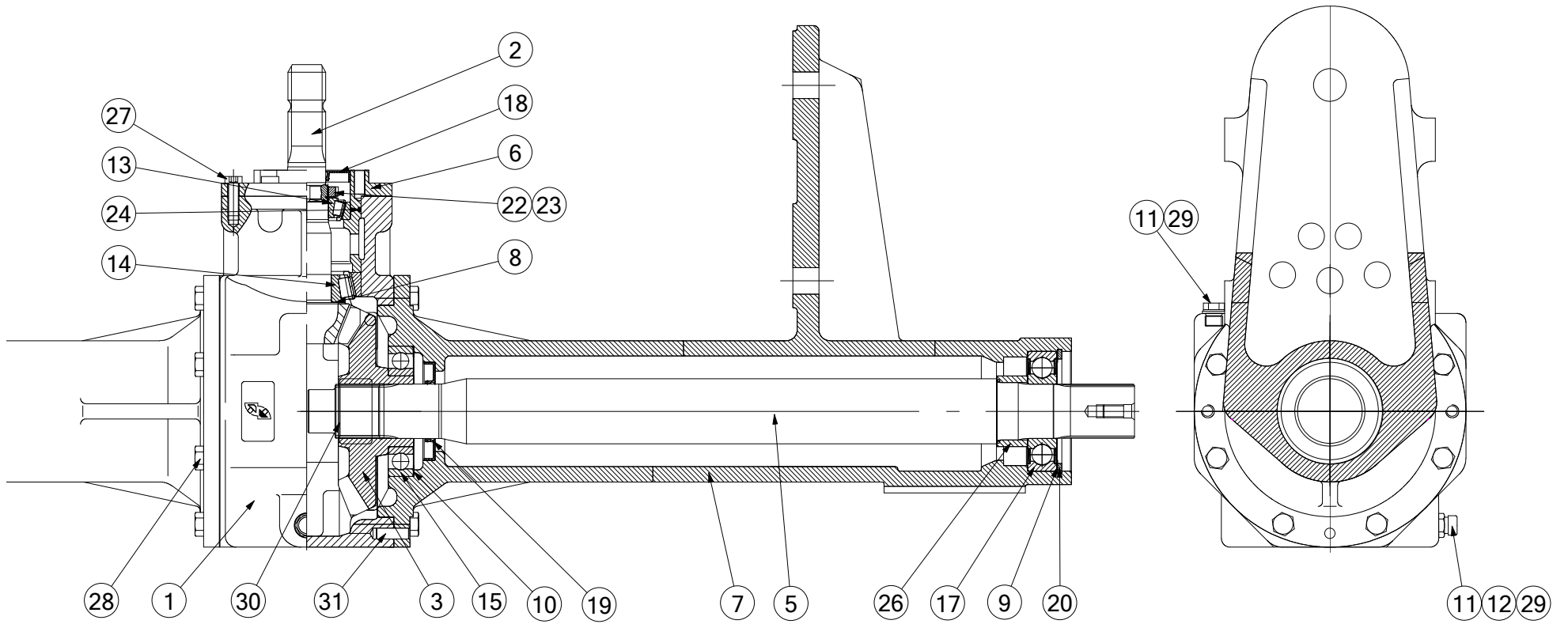
No.	Part No	Description	Qty
1	CMT00426	PTO 1000RPM K68/24 1500NM 6	1
1	CMT00502	PTO 1000RPM K68/24 1500NM 21S	1
4	CMT00696	PTO GUARD COMP. 1410 1000RPM	1
11	CMT00732	YOKE COMP. QSGP480-1 3/8 6	1
11	CMT00503	YOKE END 21 SPLINE 1000RPM SHAFT	1
11	CMT00521	YOKE END 1 3/4" 20 SPLINE P480	1
12	CMT00337	KIT QUICK RELEASE HD PTO QS PLASTIC	1
13	CMT00734	CLUTCH K68 24R 2400 3/8 21	1
21	CMT00084	UNIVERSAL JOINT 480 KIT	1
22	CFA00097	GREASE NIPPLE	3
23	CMT00085	PLATE DIA 26.95X2 FUSION PTO	4
24	CMT00735	YOKE DOUBLE P 480	1
25	CMT00736	UNIVERSAL JOINT 2480 P KIT	1
26	CMT00237	LUBRICATION FITTING	1
28	CFA00629	SPLIT PIN 10X80	2
32	CMT00091	UNIVERSAL JOINT PTO CROSS 3500	1
51	CMT00222	GUARD CONE	1
52	CFA00630	SCREW M4X10 FUSION PTO	9
53	CMT00170	BEARING RING PTO FUSION	1
54	CMT00095	BEARING RING SMALL FUSION PTO	1
55	CMT00189	FLEXIBLE GUARD CONE	1
56	CMT00456	BEARING RING PK500-400 PTO SHAFT	1
57	CMT00457	CONE ADAPTOR 367MM PK500-400 PTO	1
58	CMT00242	PTO GUARD RING	1
90	CLT00326	PTO PWE580 INSTRUCTION MANUAL	1
91	CST00133	DECAL NO HIGH PRESSURE CLEANER	1
92	CFA00124	NUT M12 NYLOC	2
93	CMT00746	CLAMP CLUTCH 1 3/8 D50	2
94	CFA02256	BOLT M12X85 Z/P	2
95	CMT00754	SPRING PACK CLUTCH 1500NM K68/24	1

Gearbox 1 (605)



No.	Part No	Description	Qty
1	CMT00106	GEARBOX ASSY ST BALE <i>540 RPM GEARBOX ASSEMBLY STANDARD (SHOWN)</i>	1
1	CMT00498	GEARBOX 1000RPM HEAVY DUTY <i>1000 RPM GEARBOX ASSEMBLY OPTIONAL (NOT SHOWN)</i>	1
2	CSE00127	SEAL O-RING COPPER GEARBOX <i>USED ON 540 RPM GEARBOX ONLY</i>	2
3	CMT00073	DRAIN PLUG GEARBOX FUSION <i>USED ON 540 RPM GEARBOX ONLY</i>	1
4	CMT00072	FILLER BREATHER BALER GEARBOX <i>USED ON 540 RPM GEARBOX CMT00106 ONLY</i>	1
5	CMH02317	SPROCKET 1 1/4" 17T 50MM SPLINE	1
6	KST00167	KIT DUPLEX GEARBOX SPROCKET 13T <i>REPLACES ARC00144 (13T DUPLEX SPROCKET)</i>	1
7	CMH01029	BUSH 50X60X23 F550 GEARBOX	1
8	CMH01030	BUSH 50X60X12 F550 GEARBOX	1
9	CFA00048	SHIM 50X62X1.0	6
10	CMT00156	GUARD GEARBOX <i>USED WITH STD PTO SHAFT ON 540 RPM GEARBOX ONLY</i>	1
10	CMT00395	PTO SHAFT GEARBOX ADAPTOR RING <i>USED WITH HEAVY DUTY PTO SHAFT ON EITHER 540 RPM OR 1000 RPM GEARBOX</i>	1
11	CFA00250	WASHER SKM12	2
12	CMH02963	BUSH STEPPED 12X70X10 Z/P <i>REPLACES CZH02119 & CZC04301</i>	1
14	CFA00330	BOLT M12X80 Z/P	1
15	CFA00251	WASHER SKM10	4
16	CFA00023	SETSCREW M10X20 Z/P	4
17	CVA00563	BEKA OIL PUMP DRIVE	1
18	CZC05636	3 MM L ADAPTOR PLATE <i>USED WITH HEAVY DUTY PTO SHAFT ADAPTOR RING ON EITHER 540 RPM OR 1000 RPM GEARBOX</i>	1

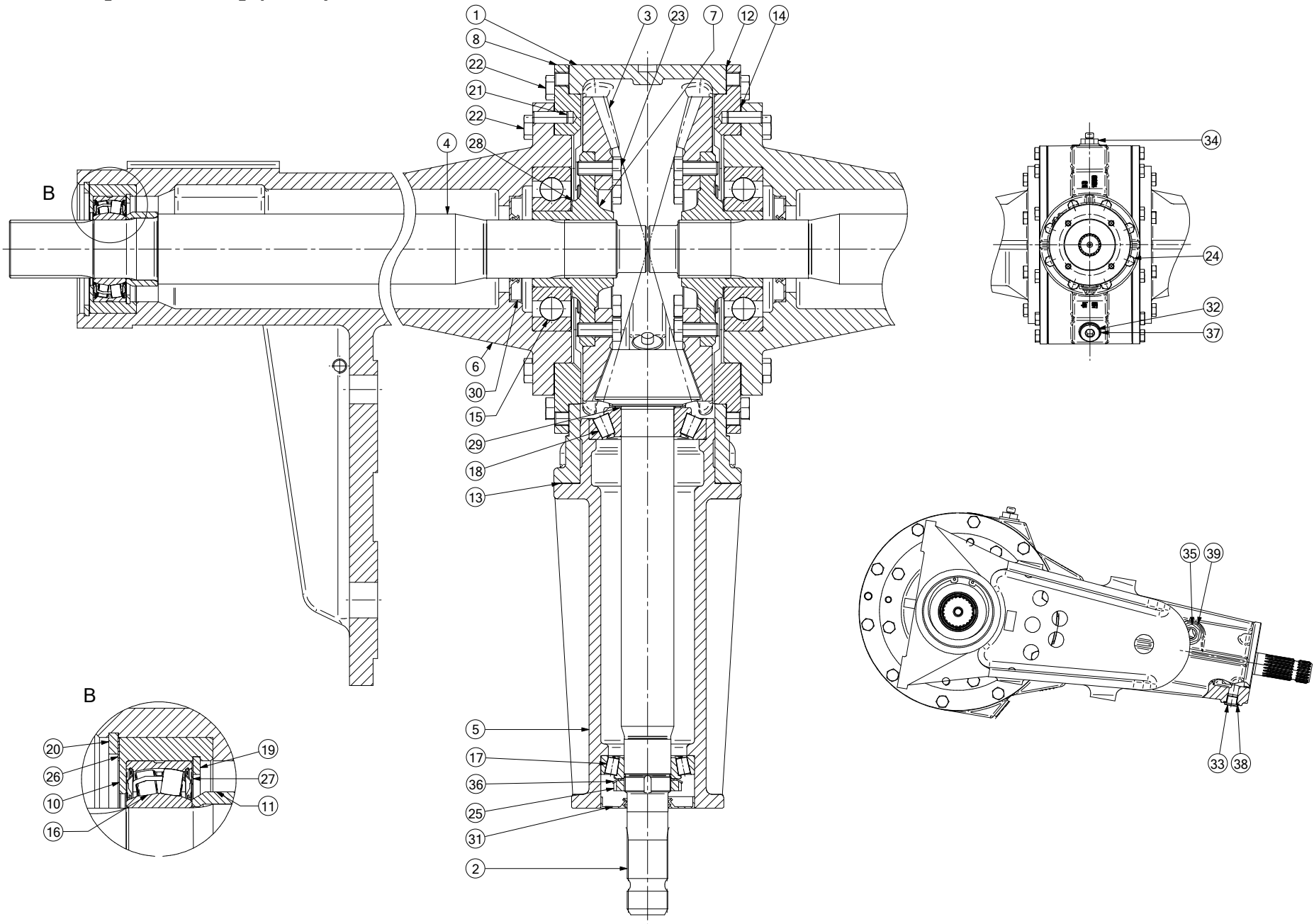
Gearbox 2 [540 RPM] (135)



No.	Part No	Description	Qty
0	CMT00106	GEARBOX ASM ST BALER 540RPM SS	1
COMPLETE 540 RPM GEARBOX ASSEMBLY			
1	CMT00161	GEARBOX HOUSING CENTRE	1
2	CMH02251	INPUT SHAFT (PINION)	1
3	CMH02252	BEVEL GEAR	2
UP TO SERIAL NO. 704582 (F5 series) UP TO SERIAL NO. 800099 (V6 series)			
3	CMH02458	BEVEL GEAR	2
FROM SERIAL NO. 704583 (F5 series) FROM SERIAL NO. 800100 (V6 series)			
5	CMH02253	MAIN SHAFT	2
6	CMT00160	INPUT ASSY HOUSING	1
7	CMT00104	GEARBOX HOUSING LEFT/RIGHT	2
UP TO SERIAL NO. 704582 (F5 series) UP TO SERIAL NO. 800099 (V6 series)			
7	CMT00244	GEARBOX HOUSING LEFT/RIGHT	2
FROM SERIAL NO. 704583 (F5 series) FROM SERIAL NO. 800100 (V6 series)			
8	CFA02204	SHIM 45X55X0.1	0
8	CFA02205	SHIM 45X55X0.2	0
8	CFA02206	SHIM 45X55X0.5	0
8	CFA02207	SHIM 45X55X1	0
9	CFA02208	SHIM 90X110X0.1	0
9	CFA02209	SHIM 90X110X0.2	0
9	CFA02210	SHIM 90X110X0.5	0
9	CFA02211	SHIM 90X110X1	0
10	CFA00658	SHIM 100X120X0.1	0
10	CFA02212	SHIM 100X120X0.2	0
10	CFA00660	SHIM 100X120X0.5	0
10	CFA00661	SHIM 100X120X1	0
11	CMT00073	DRAIN PLUG GEARBOX FUSION	1
12	CMT00072	FUSION GEARBOX BREATHER	1
13	CBR00115	TAPER ROLLER BEARING 3020 8A	1
14	CBR00116	TAPER ROLLER BEARING 3030 9A	1
15	CBR00114	BEARING 6213 C3	2
UP TO SERIAL NO. 704582 (F5 series) UP TO SERIAL NO. 800099 (V6 series)			
15	CBR00296	BEARING 6313 C3	2
FROM SERIAL NO. 704583 (F5 series) FROM SERIAL NO. 800100 (V6 series)			
17	CBR00113	BEARING 6310 2RSR	2
18	CSE00132	RADIAL SEAL 35X80X10	1
19	CSE00133	RADIAL SEAL 50X90X10	2
20	CFA00652	CIRCLIP 110X4	2
22	CFA02202	SLOTTED NUT KM 8	1
23	CFA02203	LOCKING WASHER MB 8	1
24	CSE00142	O RING 95X3MM	1
26	CMH02255	BUSHING	2
27	CFA00025	SETSCREW M10X30	6
28	CFA00324	SETSCREW M12X40	12
29	CSE00127	COPPER WASHER	2
30	CST00624	NAME/ RATING PLATE	1
31	CFA00662	DOWEL	2
32	REP00040	GEARBOX REPAIR KIT	0
UP TO SERIAL NO. 704582 (F5 series) UP TO SERIAL NO. 800099 (V6 series)			
32	REP00056	GEARBOX REPAIR KIT	0

FROM SERIAL NO. 704583 (F5 series) FROM SERIAL NO. 800100 (V6 series)

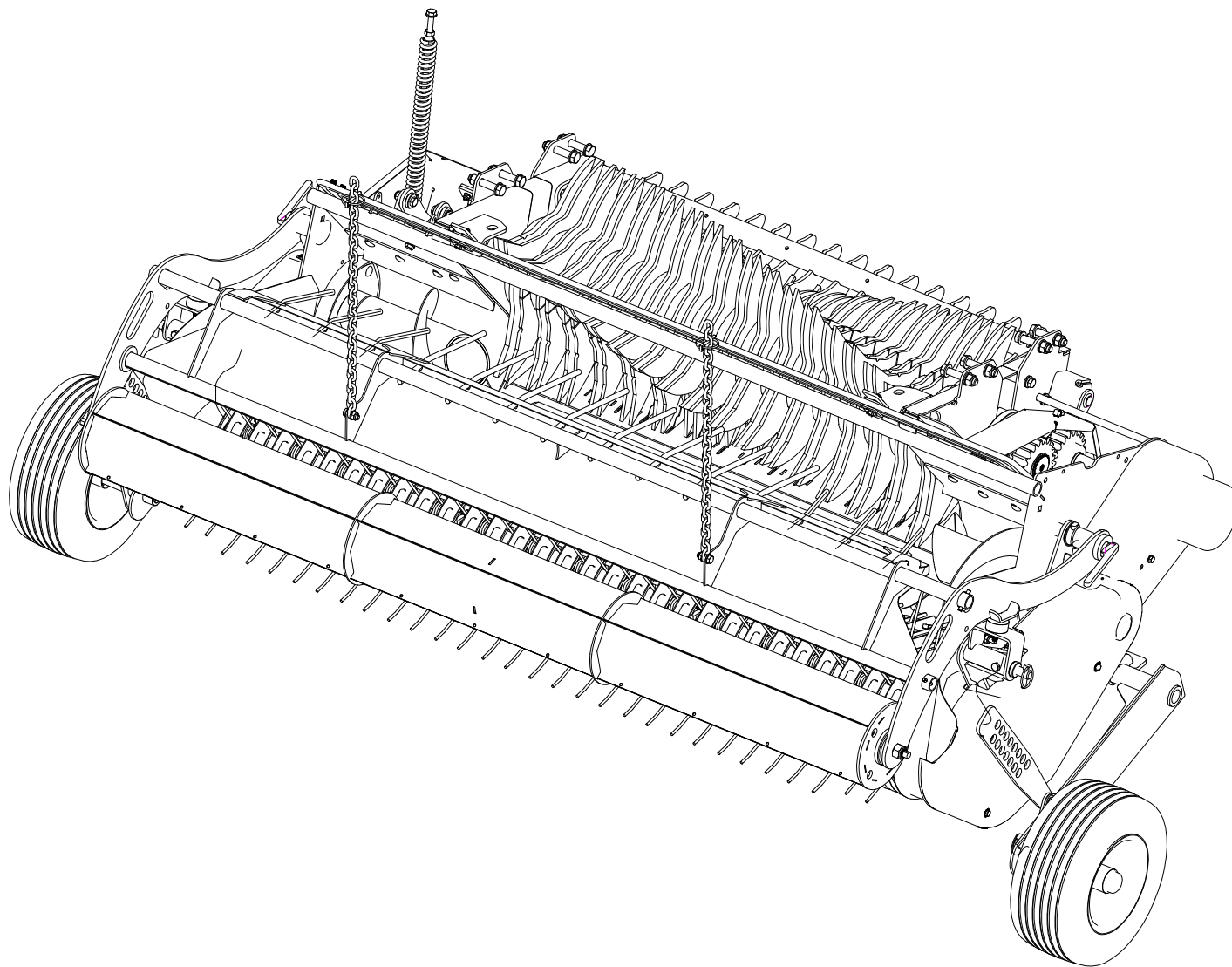
Gearbox 3 [1000 RPM] (1132)



No.	Part No	Description	Qty
0	CMT00498	GEARBOX 1000RPM HEAVY DUTY	1
<i>COMPLETE 1000RPM GEARBOX ASM</i>			
1	CMT00666	CENTER HOUSING 1000RPM GEARBOX HD	1
2	CMT00667	INPUT PINION SHAFT 1000RPM SS	1
<i>ITEM NOT AVAILABLE PRIOR TO SERIAL No. 665220. IF MACHINE IS PRIOR TO SERIAL No. 665220 ORDER COMPLETE GE</i>			
3	CMT00686	CROWN WHEEL 1000RPM SS	2
<i>ITEM NOT AVAILABLE PRIOR TO SERIAL No. 665220. IF MACHINE IS PRIOR TO SERIAL No. 665220 ORDER COMPLETE GE</i>			
4	CMH02253	SHAFT SS GEARBOX	2
5	CMT00668	INPUT PINION SHAFT HOUSING 1000RPM GB	1
6	CMT00669	1000RPM GEAR BOX SHAFT HOSUING LHS/RHS	2
7	CMT00670	1000RPM GEARBOX HUB	2
8	CMT00671	BOLT ON COLLAR CENTER HUB 1000RPM GB	2
10	CMT00672	1000RPM GB BEARING BUSHING SHAFT END	2
<i>USED ON FUSION 3 FROM SERIAL No 665220</i>			
11	CMT00673	1000RPM GB SLEEVE SHAFT END	2
<i>USED ON FUSION 3 FROM SERIAL No 665220</i>			
12	CSE40043	SEAL \diamond 313X \diamond 265X0,5	2
13	CSE40044	SEAL \diamond 158x \diamond 115x0,5	1
14	CSE40045	SEAL \diamond 248x \diamond 195x0,5	2
15	CBR00296	BEARING 6313 C3	2
16	CBR00113	BEARING 6310-2RS1 SKF EXPLORER	2
<i>USED ON FUSION 3 UP TO SERIAL No 665219</i>			
16	CBR00385	BEARING BS2-2210-2RS/VT143	2
<i>USED ON FUSION 3 FROM SERIAL No 665220</i>			
17	CBR00115	BEARING TAPER 30208A 40X80X20	1
18	CBR02011	BEARING TAPER ROLLER 31309	1
19	CFA00903	CIRCLIP 90MM INTERNAL DIN472	2
<i>USED ON FUSION 3 FROM SERIAL No 665220</i>			
20	CFA00652	CIRCLIP 110 INTERNAL DIN 472	2
21	CFA02419	CYLINDRICAL PIN 10M6X30	2
22	CFA00806	SETSCREW M12X30 8.8 DIN933 PLAIN	36
23	CFA02420	SETSCREW M12X30 10.9 DIN933 PLAIN	16
24	CFA00025	SETSCREW M10X30 Z/P	8
25	CFA02421	KM 8 BEARING LOCKNUT	1
26	CFA02208	SHIM 90X110X0.1	1
<i>USED ON FUSION 3 FROM SERIAL No 665220</i>			
26	CFA02209	SHIM 90X110X0.2	1
<i>USED ON FUSION 3 FROM SERIAL No 665220</i>			
26	CFA02210	SHIM 90X110X0.5	1
<i>USED ON FUSION 3 FROM SERIAL No 665220</i>			
26	CFA02211	SHIM 90X110X1	1
<i>USED ON FUSION 3 FROM SERIAL No 665220</i>			
27	CFA02428	SHIM 70X90X0.1	1
<i>USED ON FUSION 3 FROM SERIAL No 665220</i>			
27	CFA02429	SHIM 70X90X0.2	1
<i>USED ON FUSION 3 FROM SERIAL No 665220</i>			
27	CFA02425	SHIM 70X90X0.5	1
<i>USED ON FUSION 3 FROM SERIAL No 665220</i>			
28	CFA02430	SHIM 65X85X0.1	1
28	CFA02431	SHIM 65X85X0.2	1
28	CFA02432	SHIM 65X85X0.5	1
28	CFA02424	SHIM 65X85X1	1

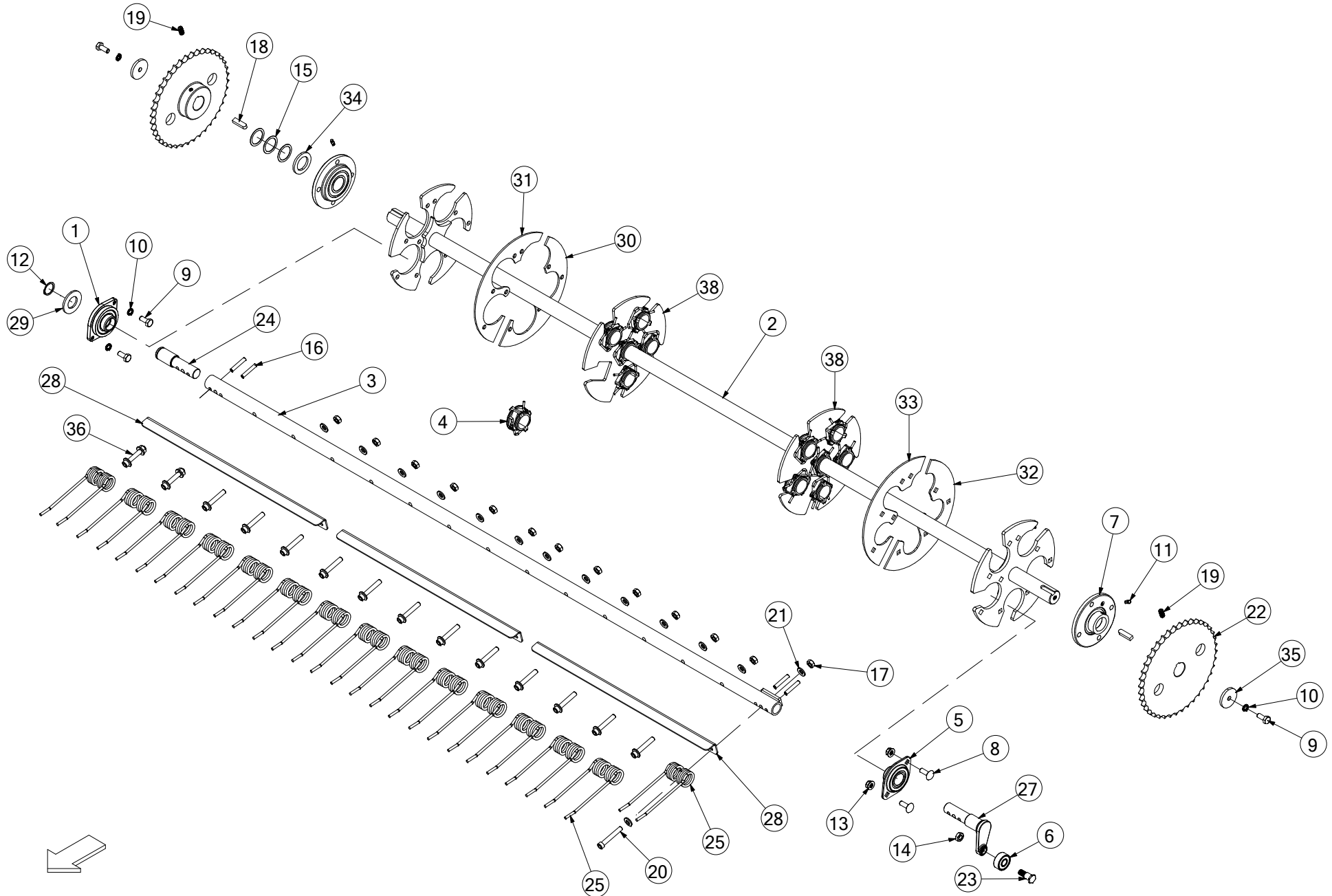
29	CFA02204	SHIM 45X56X0.1	1
29	CFA02205	SHIM 45X56X0.2	1
29	CFA02206	SHIM 45X56X0.5	1
29	CFA02207	SHIM 45X56X1	1
30	CSE00133	SEAL RADIAL 50X90X10	2
31	CSE00132	SEAL RADIAL 35X80X10 DIN 3760	1
32	CMT00674	DRAIN PLUG 3/4 GEARBOX	1
33	CFA01216	PLUG G3/8 DIN908	1
34	CMT00675	BREATHER 3/4 1000RPM GEARBOX	1
35	CFA02426	SIGHT GLASS G 1/2 WASHER	1
36	CFA02427	MB8 LOCK WASHER	1
37	CFA02422	WASHER 26X31 -AI ALUMINIUM	2
38	CFA01217	WASHER ALUMINIUM 1.5X17X22	1
39	CFA02423	WASHER ALUMINIUM 2X21X27	1

Chopper Unit / Pick Up Reel / Crop Roller



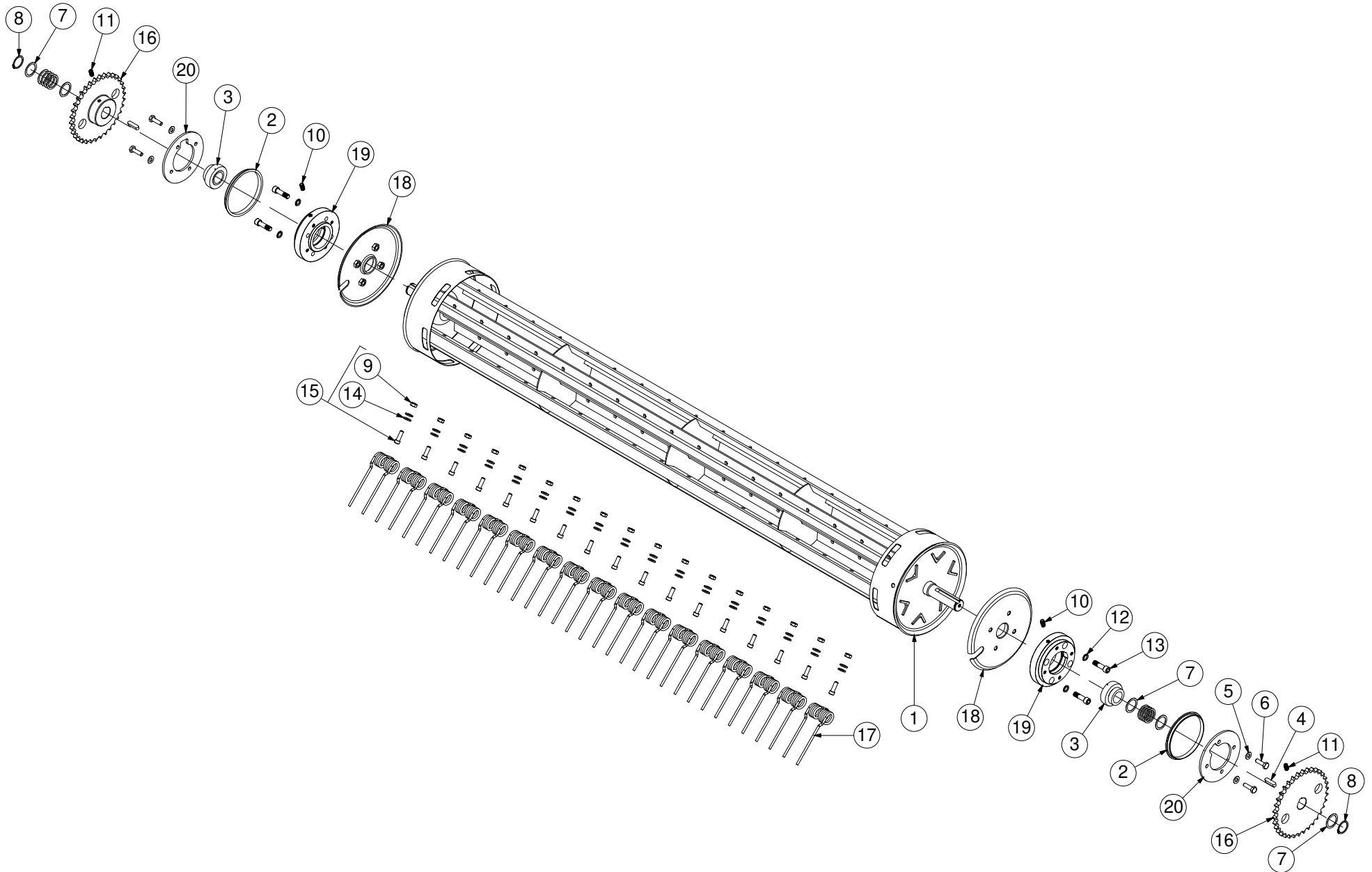
No.	Part No	Description	Qty
1	SPD01382	CHOPPER UNIT / CROP ROLLER	1

Pick-up reel shaft [Camtrack] (805)



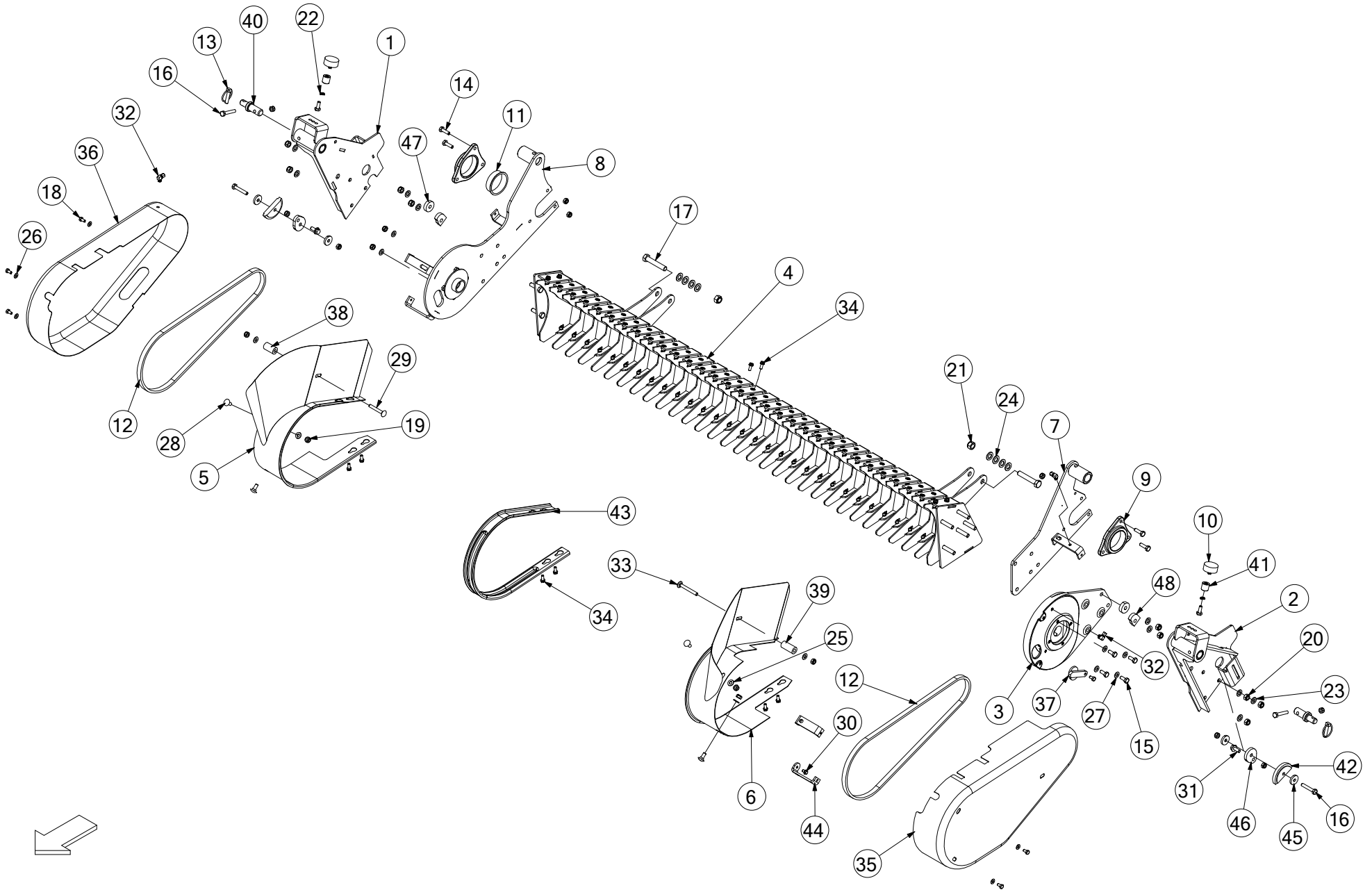
No.	Part No	Description	Qty
1	ACH02226	REEL BEARING FLOATING ASSY	5
2	ACN00046	PICK UP REEL SHAFT ASSY 5 BAR	1
5	<i>TINE BAR REEL (OLDER 4 TINE BAR REEL MACHINES SHOULD ORDER ACH00309 INSTEAD)</i>		
3	ALA00046	TINE BAR ASSY REEL	5
4	ALA00177	BUSHING CENTER (ASSY) REEL	12
5	CBR00072	BEARING INA 2 BOLT RAE 30 NPPB	5
6	CBR00081	BEARING CAM INA LR 5202 NPPU	5
7	CBR00092	BEARING CIRCR FLNGE INA PME 35	2
8	CFA00017	SETSCREW M10X30 CUP SQ Z/P	10
9	CFA00024	SETSCREW M10X25 Z/P	12
10	CFA00137	WASHER SPRING 10MM H.D Z/P	12
11	CFA00217	GREASE NIPPLE M6X1.0 ST	2
12	CFA00402	CIRCLIP 30MM EXTERNAL	5
13	CFA00443	NUT M10 SERRATED FLANGE (DIN 6923)	10
14	CFA00446	NUT M12 HEXAGON LOCK/HALF NUT	5
15	CFA00512	SHIM 35X45X1.0 Z/P	3
16	CFA00538	SPIROL PIN 8X45 S/C	20
17	CFA00541	NUT M10 BRINKS SELF LOCKING	5
18	CFA00239	KEY 10X8X40 STRAIGHT	2
19	CFA00625	M10 x 20 GRUBSCREW	2
20	CFA00725	BOLT M10X65 SOC CAP	5
21	CFA02244	TINE BOLT WASER FOR P/U REEL	10
22	CMH00621	PLATWEHEEL 3/4" PITCH 40 T	2
23	CMH00672	BOLT SHOULDER 3/4" H	5
24	CMH00843	SHAFT 30X125 STEPPED & C-HOLES	5
25	CTN00008	TINE PICK UP REEL BALER	75
27	CTP00251	CAM AXLE (FORGED)	5
	<i>REPLACES ACH00310 CAM AXLE WELD</i>		
28	CZC05674	3MM L PU TINE BAR ANGLE 5 HOLE W/T SLOTS	15
	<i>OLDER MACHINES USING 1x ITEM 38 USED 5x CZC02139 & 5x CZC02140 UP TO SERIAL No 709518 (F5), 802179 (V6)</i>		
29	CZD02325	4MM L WASHER 30X58X4 Z/P	5
30	CZD04424	4MM L GRASS GUARD 5 TINE BAR REEL	1
31	CZD04425	GRASS GUARD 5 TINE BAR REEL	1
	<i>USED ON 5 TINE BAR REEL ONLY (SHOWN)</i>		
31	CZD02285	4MM L REEL GRASS PLATE 4 TINE	4
	<i>USED ON 4 TINE BAR REEL ONLY</i>		
32	CZD04701	4MM L REEL SHAFT BOLT ON END PLATE	1
33	CZD04702	4MM L REEL SHAFT BOLT ON END PLATE	1
34	CZE00156	5MM L WASHER 35X55X5 Z/P	1
35	CZF02215	6MM L WASHER 10.5X50X6 Z/P	2
36	KST00058	KIT BOLTS FOR PICKUP TINES X10	7
	<i>INCLUDES BOLTS, NUTS & WASHERS (SOLD IN MULTIPLES OF 10)</i>		
38	APU00005	5 TINE CENTER DISK REPAIR KIT	2
	<i>(INCLUDES ITEM 4) QTY WAS 1x PRIOR TO SERIAL No 709518 (F5), 802179 (V6)</i>		

Pick-up reel shaft [Camless] (977)



No.	Part No	Description	Qty
1	KST00099	CAMLESS REEL DRUM RETROFIT KIT <i>UP TO SERIAL No 664795 (FUSION 3), 712937 (F5), 805675 (V6) & 900611 (VARIO)</i>	1
1	APU00010	CAMLESS REEL ROTOR WELD ASSEM <i>FROM SERIAL No 664796 (FUSION 3), 712938 (F5), 805676 (V6) & 900612 (VARIO)</i>	1
2	CBR00327	135MM FLANGE BEARING (GFM 135140-10.5)	2
3	CBR00328	35MM SPHERICAL BEARING GRAE 35 NPPB <i>UP TO SERIAL No 664795 (FUSION 3), 712937 (F5), 805675 (V6) & 900611 (VARIO)</i>	2
3	CBR00361	40MM SPHERICAL BEARING GRAE 40 NPPB <i>FROM SERIAL No 664796 (FUSION 3), 712938 (F5), 805676 (V6) & 900612 (VARIO)</i>	2
4	CFA00046	KEY 10X8X35 <i>REPLACES CFA00239 (KEY 10X8X40)</i>	2
5	CFA00251	WASHER SKM10	8
6	CFA00311	SETSCREW M10X35 Z/P	8
7	CFA00512	SHIM 35X45X1.0 Z/P <i>UP TO SERIAL No 664795 (FUSION 3), 712937 (F5), 805675 (V6) & 900611 (VARIO)</i>	14
7	CFA00265	SHIM 40X50X1.0 <i>FROM SERIAL No 664796 (FUSION 3), 712938 (F5), 805676 (V6) & 900612 (VARIO)</i>	14
8	CFA00514	CIRCLIP 35MM EXTERNAL DIN 471 <i>UP TO SERIAL No 664795 (FUSION 3), 712937 (F5), 805675 (V6) & 900611 (VARIO)</i>	2
8	CFA00551	CIRCLIP 40MM EXTERNAL DIN 471 <i>FROM SERIAL No 664796 (FUSION 3), 712938 (F5), 805676 (V6) & 900612 (VARIO)</i>	2
9	CFA00541	NUT M10 BRINKS SELF LOCKING <i>PART OF KIT (ITEM 15)</i>	102
10	CFA00550	ROTOR BEARING GREASE FITTING 6MM X 1/8" M/M	2
11	CFA00625	M10 x 20 GRUBSCREW	2
12	CFA00799	WASHER M12 NORDLOC	8
13	CFA01095	BOLT M12X45 SOC CAP ZP 10.9	8
14	CFA02244	TINE BOLT WASER FOR P/U REEL <i>PART OF KIT (ITEM 15)</i>	204
15	KST00065	TINE BOLT KIT SOC CAP (M10X30) <i>INCLUDES NUTS & WASHERS (ITEMS 9 & 14) SOLD IN MULTIPLES OF 10</i>	11
16	CMH01122	PLATEWEHEEL 3/4 PITCH 34T (35MM BORE) <i>UP TO SERIAL No 664795 (FUSION 3), 712937 (F5), 805675 (V6) & 900611 (VARIO)</i>	2
16	CMH01908	PLATEWEHEEL 3/4 PITCH 34 T (40MM BORE) <i>FROM SERIAL No 664796 (FUSION 3), 712938 (F5), 805676 (V6) & 900612 (VARIO)</i>	2
17	CTN00025	TYNE CAMLESS REEL	102
18	CTP00467	CAMLESS REEL GRASS CENTER DISK	2
19	CTP00490	FLEX CAMLESS PIVOT BUSH (35MM BRG) <i>UP TO SERIAL No 664795 (FUSION 3), 712937 (F5), 805675 (V6) & 900611 (VARIO)</i>	2
19	CTP00609	CAMLESS PIVOT BUSH (40MM BEARING) <i>FROM SERIAL No 664796 (FUSION 3), 712938 (F5), 805676 (V6) & 900612 (VARIO)</i>	2
20	CZF07489	6MM L COVER PLATE FLEXI CAMLESS	2

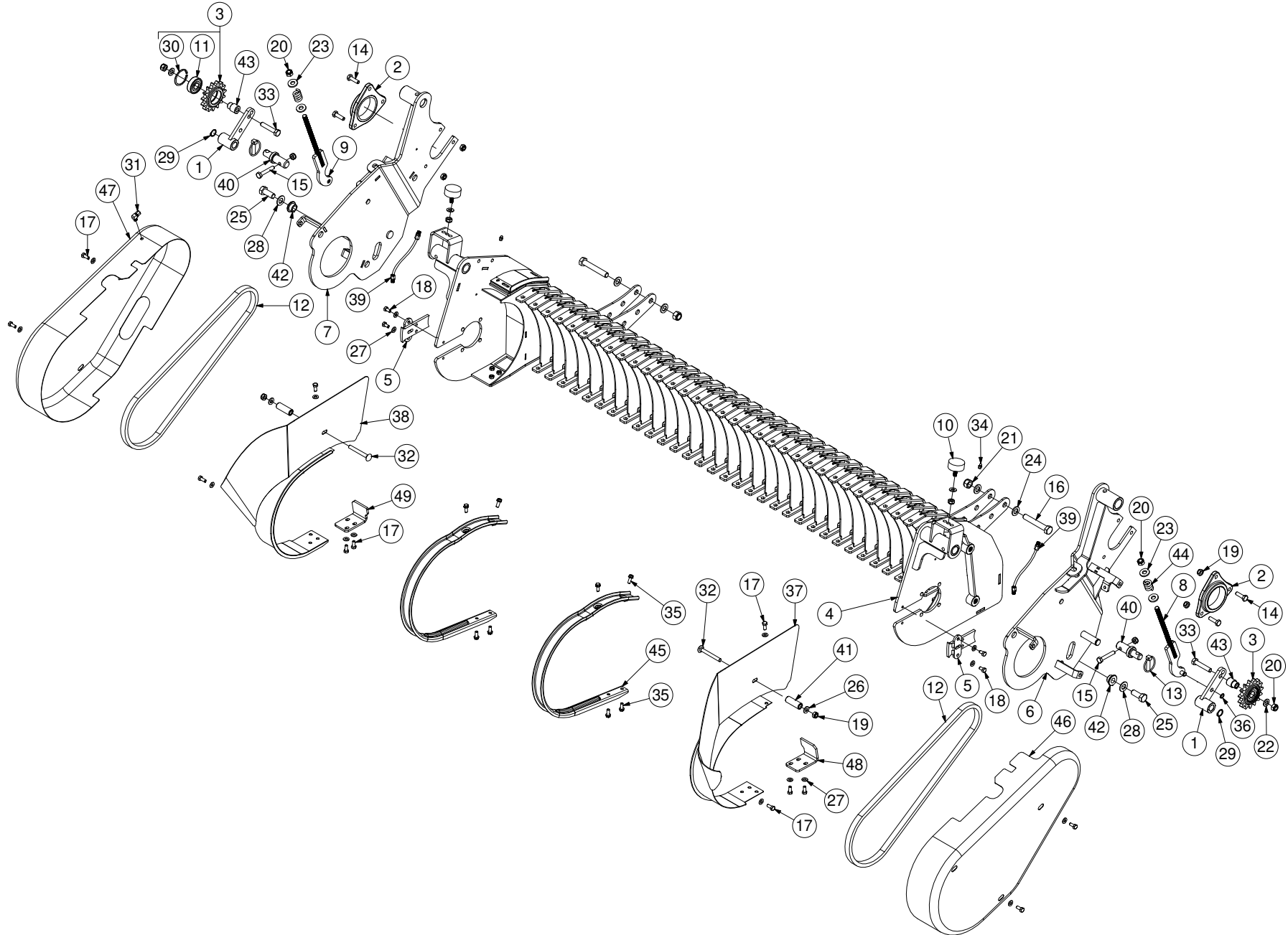
Pick-up reel chassis [Camtrack] (804)



No.	Part No	Description	Qty
1	ACH00298	REEL WELD ASSY OUTER (RIGHT)	1
2	ACH00301	REEL WELD ASSY OUTER (LEFT)	1
3	ACH00308	CAM TRACK ASSY	1
<i>INCLUDES ITEMS 15, 27, 30, 44 & CTP00252</i>			
3	CTP00252	CAM TRACK CAST	1
3	ACH00354	CAM TRACK (DUTCH)	1
<i>FOR DUTCH MACHINES ONLY</i>			
4	ACH01004	REEL BACK PLATE WELD ASSY	1
5	ACH02315	OUTER BAND RHS	1
6	ACH02316	OUTER BAND LHS	1
7	ACH02351	REEL INNER BRACKET LEFT FUSION II	1
8	ACH02352	REEL INNER BRACKET RIGHT FUSION II	1
9	ALA00314	PICKUP REEL PIVOT BRACKET KIT	1
<i>KIT CONTAINS 2 HOUSINGS & 2 IGUS BEARINGS (ITEM 11)</i>			
10	CBE00182	BUFFER RUBBER 50X21 M10X13	2
11	CBR00274	BEARING IGLIDUR GFM-7680-25	2
12	CCH02026	CHAIN ASA60H 3/4" 78 INC LINK	2
<i>(IF AUGER SPROCKET IS 19T USE AS IS & IF AUGER SPROCKET IS 15T REMOVE 2 LINKS)</i>			
13	CFA00005	LINCH PIN 10MM	2
14	CFA00016	BOLT M10X35	4
15	CFA00024	SETSCREW M10X25 Z/P	6
16	CFA00027	BOLT M10X60 Z/P	4
17	CMH02848	PIN CLEVIS 16X85 + DIA 4 C.HOLE	2
<i>REPLACES M16X90 BOLT CFA00040</i>			
18	CFA00101	SETSCREW M8X16 Z/P	7
19	CFA00123	NUT M10 NYLOC	20
20	CFA00124	NUT M12 NYLOC	10
21	CFA00450	SPLIT PIN 4X36 ZP	2
<i>REPLACES M16 NYLOC NUT CFA00128</i>			
22	CFA00137	WASHER SPRING 10MM H.D Z/P	2
23	CFA00138	WASHER FLAT 12MM Z/P	10
24	CFA00140	WASHER FLAT 16MM Z/P	8
25	CFA00201	WASHER FLAT 10 MM Z/P	6
26	CFA02414	8MM SKB WASHER	6
<i>REPLACES SKM8 WASHER CFA00249</i>			
27	CFA00251	WASHER SKM10	8
28	CFA00442	SETSCREW M10X25 CUP SQ	4
29	CFA00474	BOLT M10X70 CUP SQUARE ZP	1
30	CFA00492	SETSCREW M8X12 FLANGED Z/P	2
31	CFA00520	SETSCREW M10X25 FLD ZP	2
32	CFA00542	OILER FITTING 90 DEG 1/8" BSP	3
<i>FITTING WITH NUT & OLIVE (USED ON FUSION ONLY)</i>			
32	CFA02253	90 DEG. 1/8" 4MM QUICK CONNECTOR	3
<i>PUSH-IN FITTING (USED ON F5 & V6 ONLY)</i>			
33	CFA00546	BOLT M10X85 CUP HEAD SQ Z/P	1
34	CFA00766	SETSCREW M8X20 FLANGED DIN6921 Z/P	130
34a	CFA00764	INSERT THREADED M8 (REEL)	130
<i>REPLACEMENT THREADED INSERTS FOR ITEM 4 (IF THREADING GETS DAMAGED)</i>			
35	CGD00034	GUARD REEL LEFT HAND	1
36	CGD00036	GUARD REEL RIGHT SIDE	1
37	CGD00050	CAM TRACK BLANKING CAP	1

38	CMH00740	BUSH 12X25X45	1
39	CMH00741	BUSH 12X25X55	1
40	CMH01035	PIN 25X97 AND 12MM CH (Z/P)	2
41	CMH01088	BUSH 25X25XM10 THREAD Z/P	2
42	CPL00043	PLASTIC CHAIN TENSIONER (REEL)	2
43	CTP00048	BAND PICK UP REEL (BALER)	29
44	CZF04369	6MM L CAM TRACK BRAC	2
45	CZF09260	6MM L WASHER CAMTRACK CHAIN TENSIONER	4
<i>REPLACES CZF05111</i>			
46	CZH02907	10MM L WASHER 10X50 FLAT SIDE ZP	2
47	CZI02045	12MM L WASHER 39.5X12.5X12	2
48	CZI02046	12MM L WASHER DOWEL	2

Pick-up reel chassis [Camless] (978)



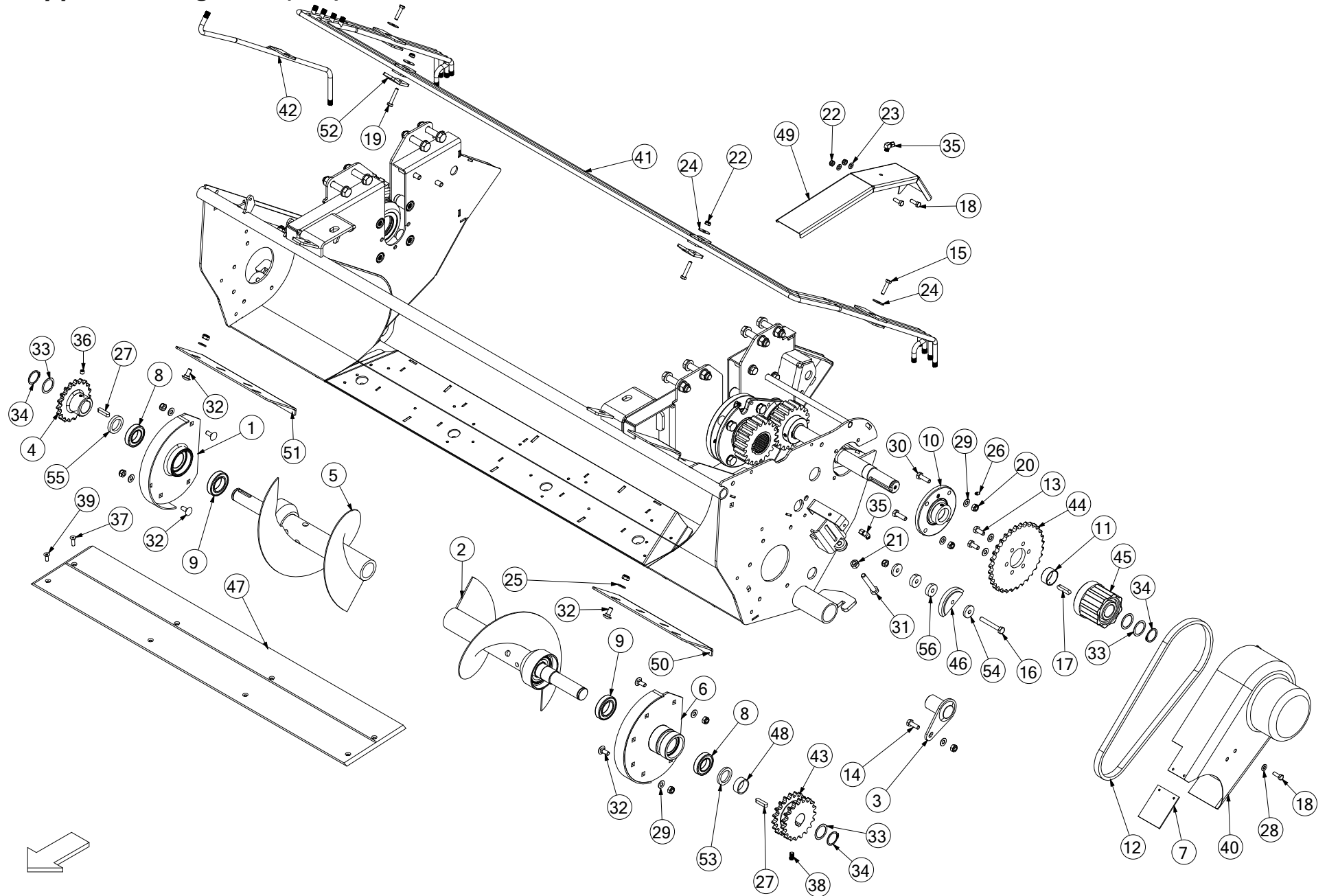
No.	Part No	Description	Qty
1	ACH02939	CHAIN TENSIONER ARM WELD ASSEM (FLEXI)	2
2	ALA00285	REEL PIVOT BRACKET IGIDILUR	2
3	ALA00700	TENSIONER SPROCKET ASSEMBLY V6	2
<i>INCLUDES ITEMS 11 & 30</i>			
4	APU00015	FLEXI CAMLESS REEL BACK WELD ASSEM <i>USED UP TO SERIAL No 666752 (FUSION 3), 715036 (F5), 808665 (V6) & 900802 (VARIO)</i>	1
4	APU00041	FLEXI CAM REEL BACK WELD ASSEM (LOWER) <i>USED FROM SERIAL No 666753 (FUSION 3), 715037 (F5), 808666 (V6) & 900803 (VARIO)</i>	1
5	APU00017	SIDE WALL COVER PLATE (FLEXI)	2
6	APU00018	FLEXI SIDE WALL WELD ASSEM (LHS) <i>USED UP TO SERIAL No 666752 (FUSION 3), 715036 (F5), 808665 (V6) & 900802 (VARIO)</i>	1
6	APU00040	CAM REEL HINGE PLATE ASSEM DS (14 DEG) <i>USED FROM SERIAL No 666753 (FUSION 3), 715037 (F5), 808666 (V6) & 900803 (VARIO)</i>	1
7	APU00019	FLEXI SIDE WALL WELD ASSEM (RHS) <i>USED UP TO SERIAL No 666752 (FUSION 3), 715036 (F5), 808665 (V6) & 900802 (VARIO)</i>	1
7	APU00042	CAM REEL HINGE PLATE WELD ASSEM NDS <i>USED FROM SERIAL No 666753 (FUSION 3), 715037 (F5), 808666 (V6) & 900803 (VARIO)</i>	1
8	APU00020	CHAIN TENSIONER ADJUSTER WELD ASSEM (FLEXI)	1
9	APU00021	CHAIN ADJUSTER WELD ASSEM	1
10	CBE00167	BUFFER RUBBER 50X21 M10X28 90SHORE <i>REPLACES CBE00002</i>	2
11	CBR00066	BEARING 6304 2RS	2
12	CCH00195	CHAIN ASA60H 3/4 76 P INC JOINERLINK <i>(IF AUGER SPROCKET IS 19T USE AS IS & IF AUGER SPROCKET IS 15T REMOVE 2 LINKS)</i>	2
13	CFA00005	LINCH PIN 10MM	2
14	CFA00016	BOLT M10X35	6
15	CFA00027	BOLT M10X60 Z/P	2
16	CMH02848	PIN CLEVIS 16X85 + DIA 4 C.HOLE <i>REPLACES M16X90 BOLT CFA00040</i>	2
17	CFA00052	SETSCREW M8X20 Z/P	16
18	CFA00101	SETSCREW M8X16 Z/P	4
19	CFA00123	NUT M10 NYLOC	12
20	CFA00124	NUT M12 NYLOC	4
21	CFA00450	SPLIT PIN 4X36 ZP <i>REPLACES M16 NYLOC NUT CFA00128</i>	2
22	CFA00138	WASHER FLAT 12MM Z/P	2
23	CFA00139	WASHER FLAT 12MM H/D Z/P	4
24	CFA00140	WASHER FLAT 16MM Z/P	4
25	CFA00151	SETSCREW M16X40 Z/P	2
26	CFA00201	WASHER FLAT 10 MM Z/P	4
27	CFA00249	WASHER SKM8	20
28	CFA00252	WASHER SKM16	2
29	CFA00339	CIRCLIP 20MM EXTERNAL	2
30	CFA00461	CIRCLIP 52MM INTERNAL DIN 472	2
31	CFA00542	OILER FITTING 90 DEG 1/8 BSP <i>FITTING WITH NUT & OLIVE (USED ON FUSION ONLY)</i>	1
31	CFA02253	90 DEG 1/8 4MM QUICK CONNECTOR <i>PUSH-IN FITTING (USED ON F5 & V6 ONLY)</i>	1
32	CFA00546	BOLT M10X85 CUP HEAD SQ Z/P	2
33	CFA00579	BOLT M12X65 ZP	2
34	CFA00590	GREASE NIPPLE 1/8" BSP ST	2

35	CFA00766	SETSCREW M8X20 FLANGED DIN6921 Z/P	132
35a	CFA00764	INSERT THREADED M8 (REEL) <i>REPLACEMENT THREADED INSERTS FOR ITEM 4 (IF THREADING GETS DAMAGED)</i>	132
36	CFA01053	CIRCLIP 12MM EXTERNAL Z/P DIN 471	2
37	APU00060	WIDE OUTER BAND WELD ASSEM LHS <i>FOR FUS 3/F5/V6-V8/VARIO PRIOR TO SERIAL No 666533/714735/808420/900781 ORDER KST00152 (REPLACES CGD00375)</i>	1
38	APU00061	WIDE OUTER BAND WELD ASSEM RHS <i>FOR FUS 3/F5/V6-V8/VARIO PRIOR TO SERIAL No 666533/714735/808420/900781 ORDER KST00152 (REPLACES CGD00376)</i>	1
39	CHY01096	6MM FLEXI CAMLESS GREASE PIPE ASSEM	2
40	CMH01035	PIN 25X97 AND12MM CH (Z/P)	2
41	CMH02687	BUSH 20 X 12 X 56	2
42	CMH02713	35 X 25 STEPPED BUSH	2
43	CMH02744	BUSH 34 X 25 STEPPED	2
44	CSG00297	SPRING 6 X 25 X 35	2
45	CTP00456	BAND CAMLESS REEL	33
46	CTP00471	FLEXI CAMLESS SIDE GUARD PRESSED (DS) <i>USED UP TO SERIAL No 666752 (FUSION 3), 715036 (F5), 808665 (V6) & 900802 (VARIO)</i>	1
46	CTP00743	CAMLESS PRESSED SIDE GUARD (LOWER DS) <i>USED FROM SERIAL No 666753 (FUSION 3), 715037 (F5), 808666 (V6) & 900803 (VARIO)</i>	1
47	CTP00472	FLEXI CAMLESS SIDE GUARD PRESSED (NDS) <i>USED UP TO SERIAL No 666752 (FUSION 3), 715036 (F5), 808665 (V6) & 900802 (VARIO)</i>	1
47	CTP00744	CAMLESS PRESSED SIDE GUARD (LOWER NDS) <i>USED FROM SERIAL No 666753 (FUSION 3), 715037 (F5), 808666 (V6) & 900803 (VARIO)</i>	1
48	CZF07108	6MM L DRUM CLEANER PLATE	1
49	CZF07109	6MM L DRUM CLEANER PLATE	1

No.	Part No	Description	Qty
1	ACH00331	BEARING HOLDER ASSY <i>INCLUDES ITEMS 10, 24, 37 & 49</i>	1
2	ACH00864	DUPLEX CHAIN TENSIONER BASE	1
3	ACH00865	DUPLEX TENSIONER (SP <i>COMPLETE ASSEMBLY (FUSION VARIO & BALERS ONLY) WITH BUFFER AS SHOWN</i>)	1
4	ACH02294	DUPLEX TENSIONER WELD ASSY	1
5	ACH03043	CHOPPER UNIT CHASSIS KIT <i>USED WITH 25K SUSPN FLOOR FROM SERIAL No 710486 - 712592 (F5), 802926 - 805383 (V6) & 900300 - 900600 (VARIO)</i>	1
5	ACH03043	CHOPPER UNIT CHASSIS KIT <i>USED WITH 0K & 15K SUSPN FLOOR FROM SERIAL No 710802-712562 (F5), 803233-805369 (V6) & 900300-900600 (VARIO)</i>	1
5	ACH02311	CHOPPER CHASSIS WELD STD FLOOR <i>USED ON STD 25 KNIFE FLOOR UP TO SERIAL No 710485 (F5), 802925 (V6) & 900299 (VARIO)</i>	1
5	ACH02311	CHOPPER CHASSIS WELD STD FLOOR <i>USED ON STD 0K & 15K FLOOR UP TO SERIAL No 710801 (F5), 803232 (V6) & 900299 (VARIO)</i>	1
5	ACH01583	CHOPPER CHASSIS FLEXI INTAKE WELD <i>FLEXI INTAKE USED ON 0K & 15K SUSPN FROM SERIAL No 712563 (F5), 805370 (V6) & 900601 (VARIO) AS SHOWN</i>	1
5	ACH01583	CHOPPER CHASSIS FLEXI INTAKE WELD <i>FLEXI INTAKE USED ON 25K SUSPN FROM SERIAL No 712593 (F5), 805384 (V6) & 900601 (VARIO) AS SHOWN</i>	1
6	ALA00247	DROP FLOOR RAM PIN Z/P	2
7	ARC00067	ROTOR BEARING HOUSING ASSY	1
8	KST00089	DUPLEX CHAIN BUFFER KIT <i>(REPLACES CBE00174) INCLUDES WASHERS (ITEM 50) COMPRESS BUFFER TO 85MM WHEN ADJUSTING DUPLEX CHAI</i>	1
9	CBR00078	BEARING FEC 60 4 BOLT FLANGE	1
10	CBR00093	BEARING INSERT INA GYE 40 KRRB	1
11	CBR00039	BEARING GLACIER PM 2525 DX	8
12	CFA00017	SETSCREW M10X30 CUP SQ Z/P	1
13	CFA00025	SETSCREW M10X30	3
14	CFA00033	SETSCREW M12X35 Z/P	2
15	CFA00123	NUT M10 NYLOC	28
16	CFA00124	NUT M12 NYLOC	3
17	CFA00127	NUT M16	1
18	CFA00128	NUT M16 NYLOC	9
19	CFA00135	WASHER FLAT 1" Z/P	4
20	CFA00138	WASHER FLAT 12MM Z/P	4
21	CFA00140	WASHER FLAT 16MM Z/P	16
22	CFA00765	SETSCREW M8X20 CSK Z/P	11
23	CFA00201	WASHER FLAT 10 MM Z/P	26
24	CFA00232	CIRCLIP 85MM INTERNAL	1
25	CFA00450	SPLIT PIN 4 X36 Z/P	2
26	CFA00513	CIRCLIP 60MM EXTERNAL	2
27	CFA00549	GREASE FITTING 6MM X 1/8"	2
28	CFA00551	CIRCLIP 40MM EXTERNAL	2
29	CFA00558	KEY 12X8X60	1
30	CFA00559	GRUBSCREW M10X12	1
31	CFA00637	SHIM 60X70X1	2
32	CFA00747	BOLT M12X170Z/P	1
33	CFA00783	WASHER NL16 NORD-LOCK	8
34	CFA01048	EYE BOLT M16X280 DACROMET <i>REPLACES CFA00784</i>	1
35	CFA00786	BOLT M16X60 Z/P DIN931 GRADE 10.9	4
36	CFA00787	BOLT M16X100 Z/P DIN931 GRADE 10.9	4

37	CMH00245	BEARING RETAINER 1040 35MM	1
38	CMH00652	GEAR SPUR MOD6 20 TOOTH SPLINE	1
39	CMH00653	GEAR SPUR MOD6 20T 40MM ID	1
40	CMH00657	SHAFT 40 X 480.5 STEPPED	1
41	CMH00659	SPROCKET 1" PITCH 25 T DUPLEX	1
42	CMH00961	PIN CLEVIS 16X80 & DIA 4 C.HOLE	2
43	CMH01022	BUSH 8X35X45 STEPPED	1
44	CMH01910	BUSH 17X70X10 STEPPED 25 <i>REPLACES CMH01109, CZD05074 & CZD05186</i>	1
45	CMH01110	BUSH 12X25X19.5	2
46	CPL00055	CHAIN TENSIONER SLIDE 1"DUPLEX	1
47	CRA00186	RAM PICKUP BALER <i>USED WITH STANDARD CAM-TRACK PICK-UP (CAN ALSO USE CRA00292 AS A DIRECT REPLACEMENT)</i>	2
47	CRA00292	RAM PICK UP REEL (CAMLESS) <i>MUST BE USED WITH CAMLESS PICK-UP UP TO SERIAL No 715036 (F5), 808665 (V6) & 900802 (VARIO)</i>	2
47	CRA00296	RAM PICK UP (CAMLESS) 2020 <i>MUST BE USED WITH CAMLESS PICK-UP FROM SERIAL No 715037 (F5), 808666 (V6) & 900803 (VARIO)</i>	2
48	CRA00193	RAM CHOPPER FLOOR 20X40 BW	2
49	CTP00391	BEARING HOLDER ASSY SPUR GEARS <i>REPLACES ACH00330</i>	1
50	CZD05074	4MM L WASHER 16X68X4 Z/P <i>REPLACES CZD04321</i>	1
51	ACH01587	CHOPPER CHASSIS INTAKE PLATE <i>FLEXI INTAKE PLATE USED ON 0K & 15K SUSPN FROM SERIAL No 712563 (F5), 805370 (V6) & 900601 (VARIO)</i>	1
51	ACH01587	CHOPPER CHASSIS INTAKE PLATE <i>FLEXI INTAKE PLATE USED ON 25K SUSPN FROM SERIAL No 712593 (F5), 805384 (V6) & 900601 (VARIO)</i>	1
52	CBE00344	BUFFER RUBBER 50X58 M10/28 68SH	3
53	CBE00345	RUBBER BUFFER 50X26 M10	4
54	CPL00242	NYLON WEAR PLATE PICKUP ANGLED <i>USED WITH FLEXI INTAKE ON 0K & 15K SUSPN FROM SERIAL No 712563 (F5), 805370 (V6) & 900601 (VARIO)</i>	1
54	CPL00242	NYLON WEAR PLATE PICKUP ANGLED <i>USED WITH FLEXI INTAKE ON 25K SUSPN FROM SERIAL No 664035 (FUS 3), 712593 (F5), 805384 (V6) & 900601 (VARIO)</i>	1

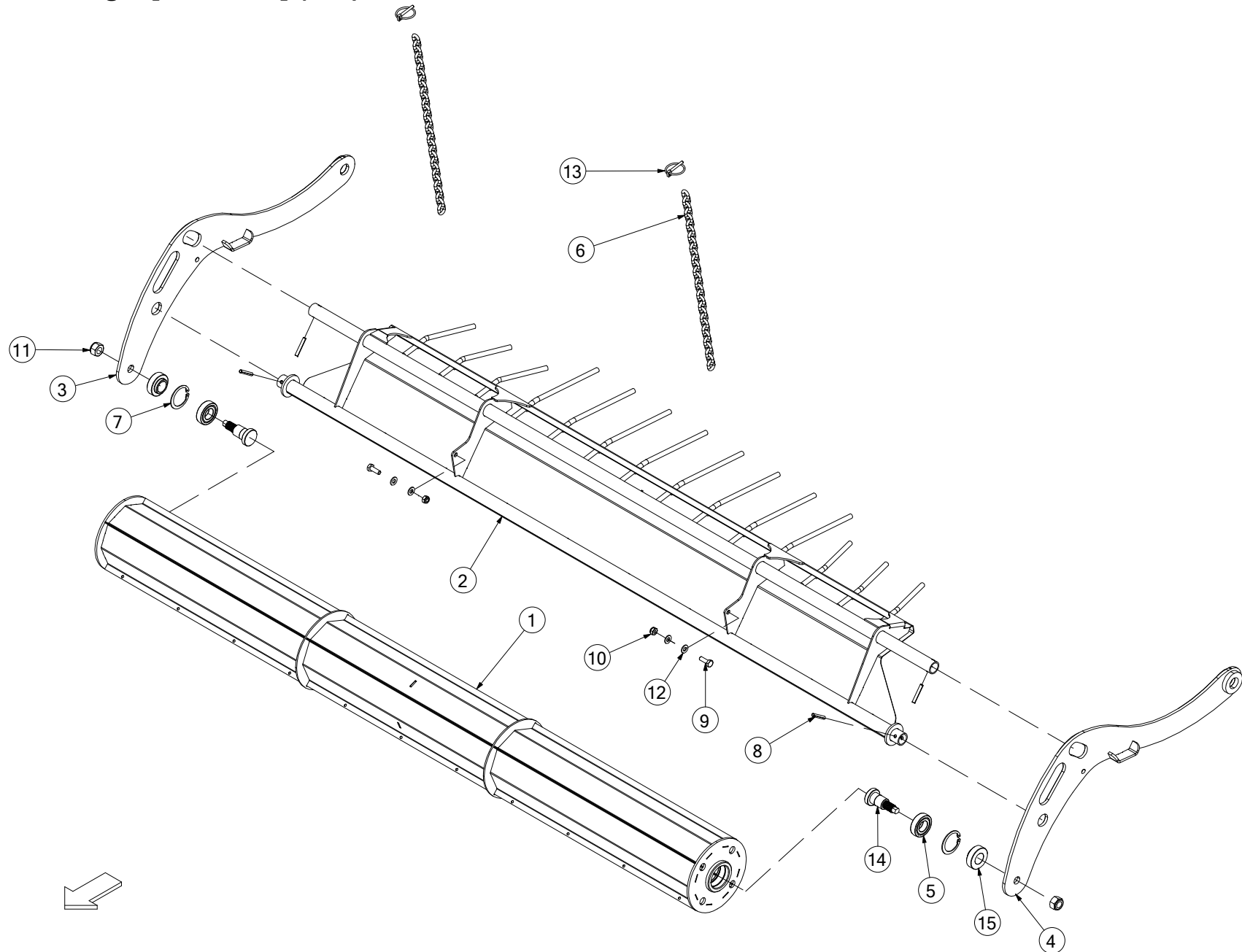
Chopper housing front (897)



No.	Part No	Description	Qty
1	CTP00503	CHOPPER UNIT AUGER HOUSING RHS	1
2	ACH00314	AUGER ASSY (LEFT)	1
<i>USED UP TO SERIAL No 662199 (FUSION 3), 710485 (F5), 802925 (V6) & 900299 (VARIO) - [STANDARD FLOOR]</i>			
2	ACH01458	AUGER ASSY BIG (LEFT)	1
<i>USED FROM SERIAL No 662200 (FUSION 3), 710486 (F5), 802926 (V6) & 900300 (VARIO) - [SUSPENSION FLOOR]</i>			
3	ACH00321	PIN CHOPPER FLOOR HINGE Z/P	2
4	ACH00326	SPROCKET AUGER ASSY. (RIGHT)	1
<i>USED UP TO SERIAL No 662199 (FUSION 3), 710485 (F5), 802925 (V6) & 900299 (VARIO) - [STANDARD FLOOR]</i>			
4	ARC00431	SPROCKET 15T AUGER ASM (RIGHT)	1
<i>USED FROM SERIAL No 662200 (FUSION 3), 710486 (F5), 802926 (V6) & 900300 (VARIO) - [SUSPENSION FLOOR]</i>			
5	ACH00327	AUGER ASSY (RIGHT)	1
<i>USED UP TO SERIAL No 662199 (FUSION 3), 710485 (F5), 802925 (V6) & 900299 (VARIO) - [STANDARD FLOOR]</i>			
5	ACH01456	AUGER ASSY BIG (RIGHT)	1
<i>USED FROM SERIAL No 662200 (FUSION 3), 710486 (F5), 802926 (V6) & 900300 (VARIO) - [SUSPENSION FLOOR]</i>			
6	CTP00504	CHOPPER UNIT AUGER HOUSING LHS	1
7	CBE00033	RUBBER 120X80 CHAIN GUARD BALER	1
8	CBR00001	BEARING 6007 2RS	2
9	CBR00076	BEARING 6008 2RS	2
10	CBR00104	BEARING INA TME 40 GE 40 KPPB3	1
11	CBR00268	BEARING GLACIER DU 4	1
12	CCH02025	CHAIN ASA60H 3/4 62 INC LINK	1
<i>(IF AUGER SPROCKET IS 19T USE AS IS & IF AUGER SPROCKET IS 15T REMOVE 2 LINKS)</i>			
13	CFA00024	SETSCREW M10X25 Z/P	6
14	CFA00025	SETSCREW M10X30	3
15	CFA00055	BOLT M8X35 Z/P	2
16	CFA00075	BOLT M10X75 Z/P	1
17	CFA00081	KEY 10X8X45	1
18	CFA00102	SETSCREW M8X25 Z/P	3
19	CFA00106	BOLT M8X45 Z/P	2
20	CFA00123	NUT M10 NYLOC	28
21	CFA00125	NUT M12 Z/P	1
22	CFA00132	NUT M8 NYLOC Z/P	4
23	CFA00147	WASHER FLAT 8MM Z/P	2
24	CFA00149	WASHER MUDWING M8 31.75OD	4
25	CFA00201	WASHER FLAT 10 MM Z/P	10
26	CFA00217	GREASE NIPPLE M6X1.0 ST	1
27	CFA00239	KEY 10X8X40	2
28	CFA00249	WASHER SKM8	1
29	CFA00251	WASHER SKM10	24
30	CFA00311	SETSCREW M10X35 Z/P	4
31	CFA00330	BOLT M12X80 Z/P	1
32	CFA00442	SETSCREW M10X25 CUP SQ	19
33	CFA00512	SHIM 35X45X1.0 Z/P	4
34	CFA00514	CIRCLIP 35MM EXTERNAL	3
35	CFA00542	OILER FITTING 90 DEG 1/8 BSP	2
36	CFA00559	GRUBSCREW M10X12	1
37	CFA00582	SETSCREW M8X25 CSK Z/P	4
38	CFA00625	M10 x 20 GRUBSCREW	1
39	CFA00765	SETSCREW M8X20 CSK Z/P	4
40	CGD00057	GUARD SLIPCLUTCH PICKUP REEL	1

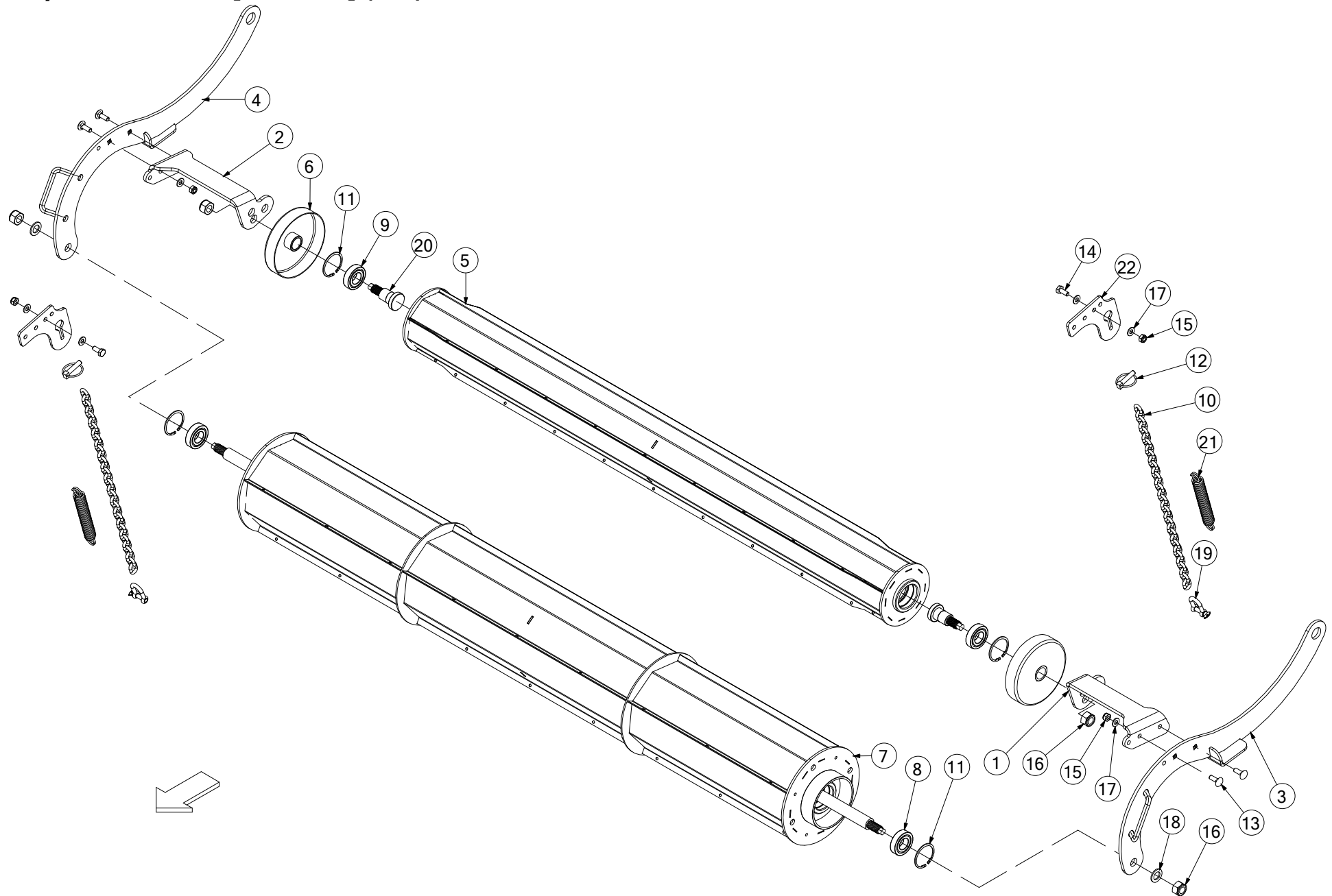
41	CHY02606	PIPE ASSY HYD CHOPPER UNIT	1
42	CHY02786	STEEL PIPE WELD ASSY	1
<i>USED WITH SELECTABLE KNIFE CHOPPER UNITS ONLY</i>			
43	CMH00633	SPROCKET 3/4" PITCH 19T DOUBLE	1
<i>USED UP TO SERIAL No 662199 (FUSION 3), 710485 (F5), 802925 (V6) & 900299 (VARIO) - [STANDARD FLOOR]</i>			
43	CMH00227	SPROCKET 3/4" PITCH 15T DOUBLE	1
<i>USED FROM SERIAL No 662200 (FUSION 3), 710486 (F5), 802926 (V6) & 900300 (VARIO) - [SUSPENSION FLOOR]</i>			
44	CMH00727	PLATEWHEEL 3/4" PITCH 32T	1
45	CMT00063	CLUTCH STANDARD PICK-UP	1
<i>STANDARD PICK-UP</i>			
45	CMT00381	CLUTCH CAMLESS (602175) EK34B	1
<i>CAMLESS PICK-UP</i>			
45a	CMH02697	CAMLESS CLUTCH RETAINING BUSH	1
<i>CAMLESS PICK-UP</i>			
45b	CFA02319	BOLT M10X30 SOC CAP 8.8 Z/P	1
<i>CAMLESS PICK-UP</i>			
46	CPL00043	PLASTIC CHAIN TENSIONER (REEL)	1
47	CPL00087	NYLON WEAR PLATE RECTANGULAR	1
<i>USED ON STD 0K & 15K FLOOR UP TO SERIAL No 710801 (F5), 803232 (V6) & 900299 (VARIO)</i>			
47	CPL00087	NYLON WEAR PLATE RECTANGULAR	1
<i>USED ON STD 25 KNIFE FLOOR UP TO SERIAL No 662199 (FUSION 3), 710485 (F5), 802925 (V6) & 900299 (VARIO)</i>			
47	CPL00217	NYLON WEAR PLATE PICKUP ANGLED	1
<i>USED ON 0K & 15K SUSPN ON SERIAL No 710802 - 711308 (F5), 803233 - 803695 (V6) & 900300 - 900412 (VARIO)</i>			
47	CPL00217	NYLON WEAR PLATE PICKUP ANGLED	1
<i>25K SUSP ON SERIAL No 662200-663378 (FUS 3), 710486-711308 (F5), 802926-803695 (V6) & 900300-900421 (VARIO)</i>			
47	CPL00244	NYLON WEAR PLATE PICKUP ANGLED	1
<i>USED ON 0K & 15K SUSPN ON SERIAL No 711309 - 712562 (F5), 803696 - 805369 (V6) & 900413 - 900600 (VARIO)</i>			
47	CPL00244	NYLON WEAR PLATE PICKUP ANGLED	1
<i>25K SUSP ON SERIAL No 663379-664034 (FUS 3), 711309-712592 (F5), 803696-805383 (V6) & 900422-900600 (VARIO)</i>			
47	CPL00242	NYLON WEAR PLATE PICKUP ANGLED	1
<i>USED ON 0K & 15K SUSPN FROM SERIAL No 712563 (F5), 805370 (V6) & 900601 (VARIO)</i>			
47	CPL00242	NYLON WEAR PLATE PICKUP ANGLED	1
<i>USED ON 25K SUSPN FROM SERIAL No 664035 (FUS 3), 712593 (F5), 805384 (V6) & 900601 (VARIO)</i>			
48	CXT00185	TUBE 42.4X3X16	1
49	CZB02160	1.5MM L SPUR GEAR GUARD BALER	1
50	CZD02227	4MM L AUGER CLEANING PLATE LH	1
51	CZD04345	4MM L AUGER CLEANING PLATE RH	1
52	CZF02904	6MM L GUARD BRACKET BALER	2
53	CZF05110	6MM L SPACER	1
54	CZF09260	6MM L WASHER CAMTRACK CHAIN TENSIONER	2
55	CZG02115	8MM L AUGER SPACER	1
56	CZH02584	10MM L WASHER 40X10.5 Z/P	2

Crop roller single [Standard] (775)



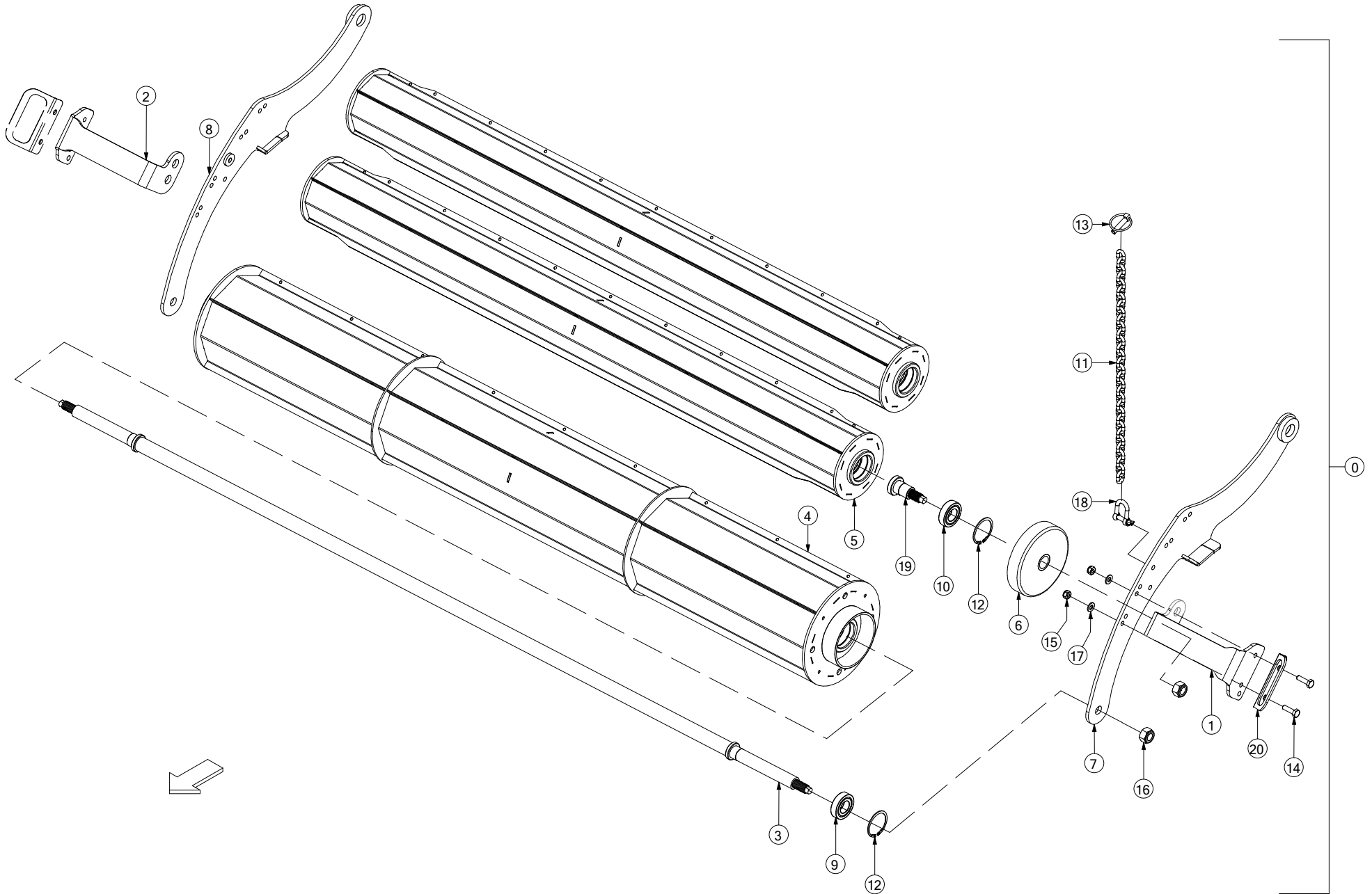
No.	Part No	Description	Qty
1	ARC00324	CROP ROLLER WELD ASSY SMALL	1
2	ARC00325	CROP ROLLER COVER PLATE ASSY	1
3	ARC00326	CROP ROLLER SIDE PLATE ASSY (RHS)	1
4	ARC00327	CROP ROLLER SIDE PLATE ASSY (LHS)	1
5	CBR00299	BEARING 206 NPPB 30MM SPHERICAL	2
6	CCH00186	CHAIN 7X20 X 30 LINKS	2
7	CFA00002	CIRCLIP INTERNAL 20X1 DIN 472	2
8	CFA00010	ROLL PIN 8X50 Z/P	4
9	CFA00025	SETSCREW M10X30 Z/P	2
	<i>REPLACES CFA00016</i>		
10	CFA00123	NUT M10 NYLOC	2
11	CFA00129	NUT M20 NYLOC	2
12	CFA00201	WASHER FLAT 10 MM Z/P	4
13	CFA00202	LINCH PIN 6MM	2
14	CMH00148	SHAFT 30X95 M20 THREAD	2
15	CMH01445	BUSH 30X50X25 Z/P	2

Crop roller double [Camless] (966)



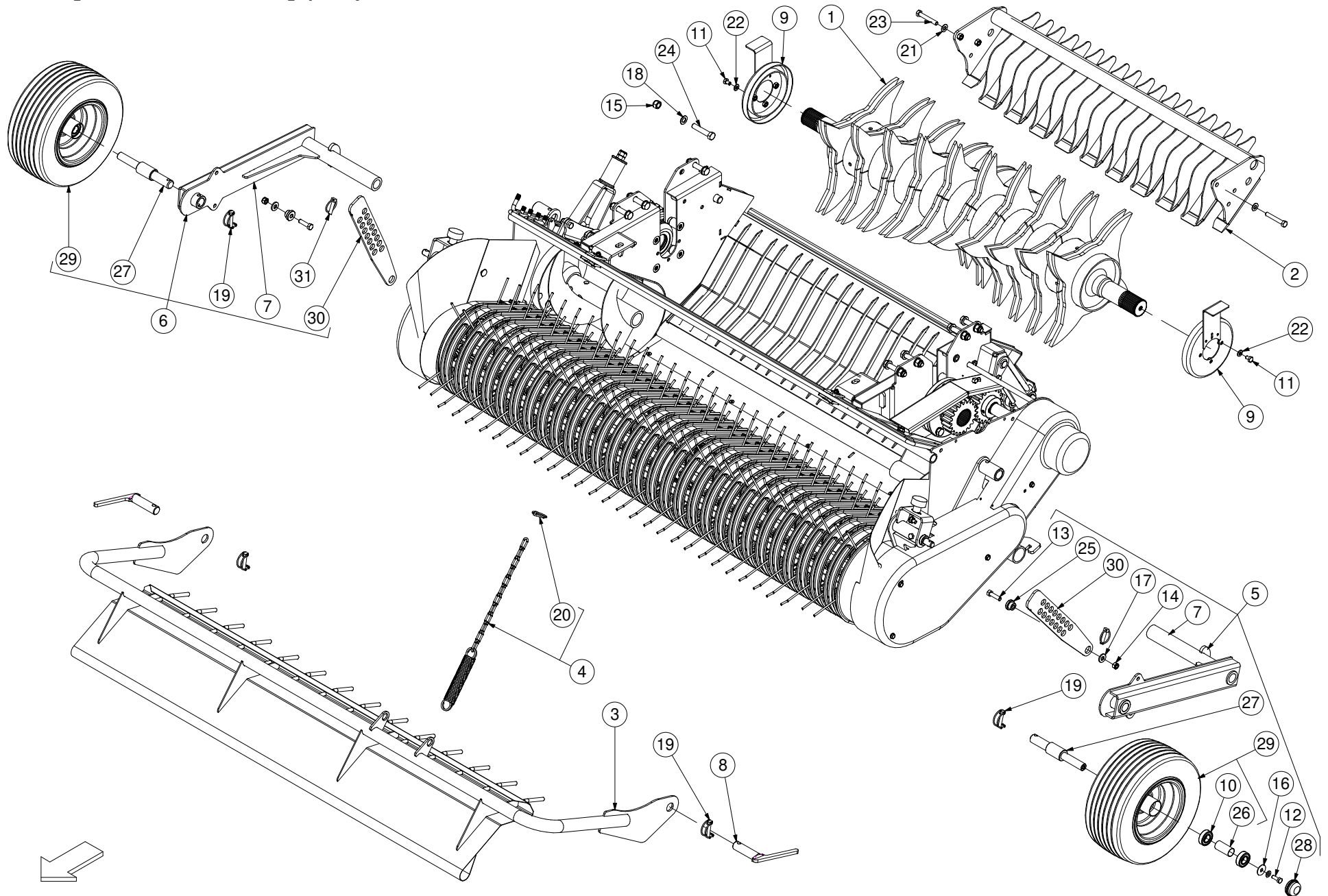
No.	Part No	Description	Qty
0	ARC00378	CROP ROLLER FULL ASSEM (CAMLESS) <i>COMPLETE ASM (INCLUDES ITEMS 1 THROUGH 21) USED IN SPECIFIC MARKETS ON CAMLESS PICK-UPS ONLY</i>	1
0	KST00088	DCR CAMTRACK REEL KIT <i>COMPLETE ASM (INCLUDES ITEMS 1 TO 22) USED IN SPECIFIC MARKETS ON FUSION 3 CAMTRACK PICK-UPS ONLY</i>	1
1	ACH03150	REAR CROP ROLLER HOLDER WELD ASSEM LHS	1
2	ACH03151	REAR CROP ROLLER HOLDER WELD ASSEM RHS	1
3	ARC00379	CROP ROLLER PLATE WELD ASSEM LHS (CAMLESS)	1
4	ARC00380	CROP ROLLER PLATE WELD ASSEM RHS (CAMLESS)	1
5	ARC00387	TOP ROLLER WELD ASSEM (SHORT)	1
6	ARC00392	CROP ROLLER SEAL (LARGE)	2
7	ARC00466	FRONT ROLLER ASSEM (DCR) <i>INCLUDES ITEMS 8 & 11</i>	1
8	CBR00024	BEARING 62062RS	2
9	CBR00299	BEARING 206 NPPB 30MM SPHERICAL	2
10	CCH00186	CHAIN CROP ROLLER 7X20X32 LINKS	2
11	CFA00002	62MM INTERNAL CIRCLIP DIN 472	4
12	CFA00005	LINCH PIN 10MM	2
13	CFA00017	SETSCREW M10X30 CUP SQ Z/P	4
14	CFA00025	SETSCREW M10X30 Z/P	4
15	CFA00123	NUT M10 NYLOC	8
16	CFA00129	NUT M20 NYLOC	4
17	CFA00201	WASHER FLAT 10 MM Z/P	10
18	CFA00413	WASHER FLAT 20MM Z/P	2
19	CFA00457	D SHACKLE 0.375" GAL	2
20	CMH00148	SHAFT 30X86 M20 THREAD Z/P	2
21	CSG00320	SPRING EXT 3.5X27.5X188 Z/P	2
22	CZF07624	6MM L DOUBLE CROP ROLLER CHAIN HOLDER <i>USED ON FUSION VARIO ONLY (NOT SHOWN) PRIOR TO SERIAL No 900340</i>	2
22	CZF07847	CAMLESS REEL CHAIN HANGER <i>USED ON V6 FROM SERIAL No 805001 & FUSION VARIO FROM SERIAL No 900340 (LH SIDE)</i>	1
22	ACH02980	PLATFORM BRACKET V6/ VARIO ASSY <i>USED ON V6 FROM SERIAL No 805001 & FUSION VARIO FROM SERIAL No 900340 (RH SIDE)</i>	1
22	CZF07625	6MM L DOUBLE CROP ROLLER CHAIN HOLDER F3 <i>USED ON FUSION 3 ONLY (NOT SHOWN)</i>	2
22	CZF07629	6MM L CAMLESS CHAIN PLATE F5000 / V6 <i>USED ON F5 BALERS & V6 PRIOR TO SERIAL No 805001 (SHOWN)</i>	2

Crop roller triple [From Serial No. (F5) 712699 & (V6) 805523] (1134)



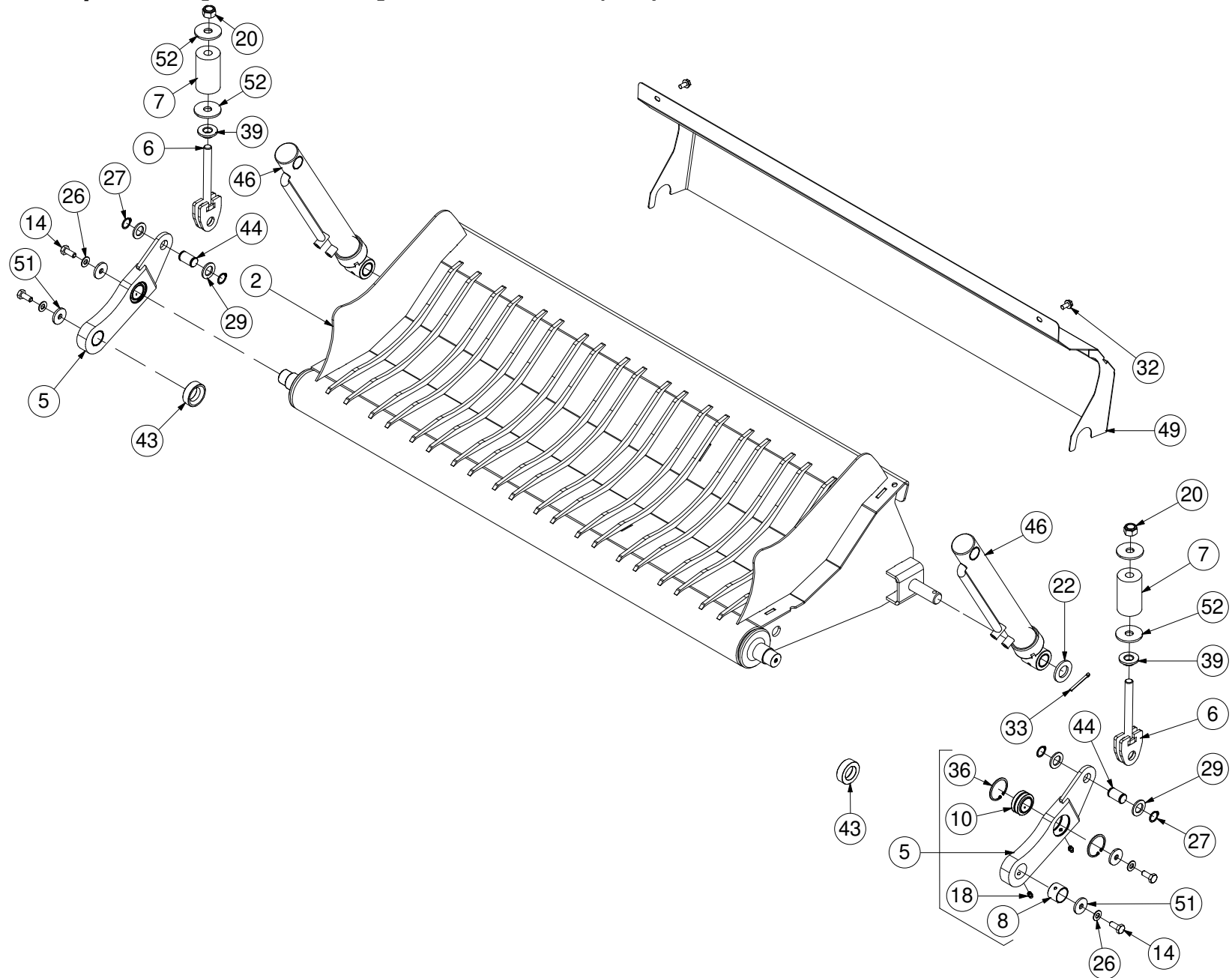
No.	Part No	Description	Qty
0	ARC00465	Triple Crop Roller Assembly <i>COMPLETE TRIPLE CROP ROLLER ASSEMBLY. USED IN SPECIFIC MARKETS, ON CAMLESS MACHINES ONLY.</i>	1
1	ACH02922	REAR CROP ROLLER HOLDER WELD ASSEM (LHS)	2
2	ACH02923	REAR CROP ROLLER HOLDER WELD ASSEM (RHS)	2
3	ACH03042	FRONT ROLLER AXLE WELD ASSEM (CAMLESS)	1
4	ARC00377	ROLLER WELD ASSEM (CAMLESS)	1
5	ARC00387	TOP ROLLER WELD ASSEM (SHORT)	2
6	ARC00392	CROP ROLLER SEAL (LARGE)	4
7	ARC00472	TCR CARRIER PLATE WELD ASSEM LHS <i>USED ON F5 SERIES FROM SERIAL No 712699 TO 715036 & V6 SERIES FROM SERIAL No 805523 TO 808699</i>	1
7	ARC00518	TCR CARRIER WELD ASSEM LHS (APU00045) <i>USED ON F5 SERIES FROM SERIAL No 715037 & V6 SERIES FROM SERIAL No 808700</i>	1
8	ARC00473	TCR CARRIER PLATE WELD ASSEM RHS <i>USED ON F5 SERIES FROM SERIAL No 712699 TO 715036 & V6 SERIES FROM SERIAL No 805523 TO 808699</i>	1
8	ARC00519	TCR CARRIER WELD ASSEM RHS (APU00045) <i>USED ON F5 SERIES FROM SERIAL No 715037 & V6 SERIES FROM SERIAL No 808700</i>	1
9	CBR00024	BEARING 62062RS	2
10	CBR00299	BEARING 206 NPPB 30MM SPHERICAL	4
11	CCH00186	CHAIN CROP ROLLER 7X20X32 LINKS	2
12	CFA00002	62MM INTERNAL CIRCLIP DIN 472	6
13	CFA00005	LINCH PIN 10MM	2
14	CFA00016	BOLT M10X35	8
15	CFA00123	NUT M10 NYLOC	8
16	CFA00129	NUT M20 NYLOC	6
17	CFA00201	WASHER FLAT 10 MM Z/P	12
18	CFA00457	D SHACKLE 0.375" GAL	2
19	CMH00148	SHAFT 30X86 M20 THREAD Z/P	4
20	CZD00282	4MM L TCR FORMED HANDLE	2

Rotor [0 Knife Standard] (900)



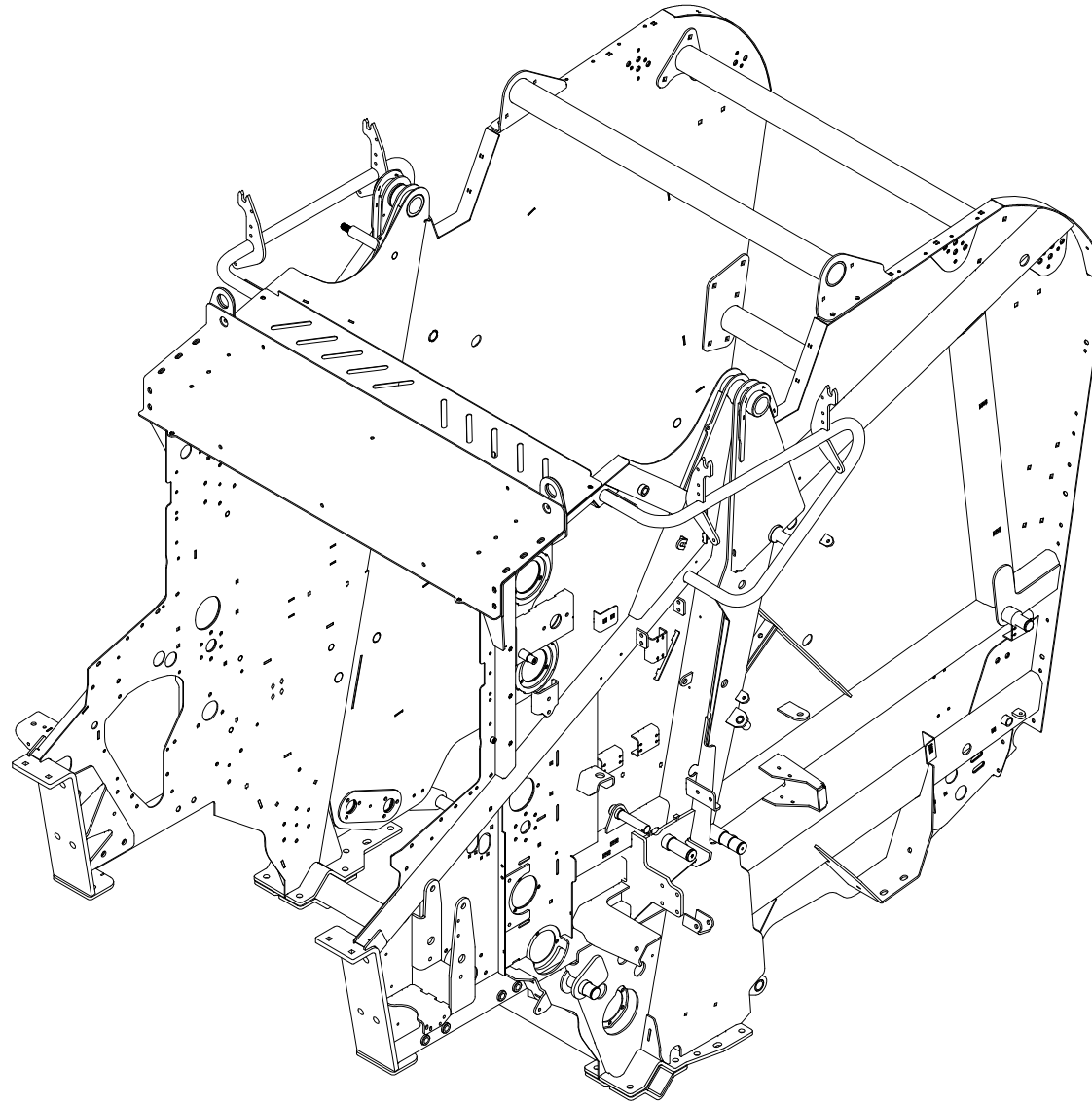
No.	Part No	Description	Qty
1	ACH01136	ROTOR (0 KN) DBL FING Ø500 S/A <i>USED ON F5400 UP TO SERIAL No 710801 & ON V640 UP TO SERIAL No 803232 (STANDARD FLOOR)</i>	1
1a	CZG04261	8MM L ROTOR PLATE 0 KNIFE Ø500 <i>REPLACEMENT ROTOR FINGER PLATE (NOTE: THERE ARE 2 FINGER PLATES PER FLIGHT)</i>	2
1	ACH01546	BIG ROTOR (0 KN) DBL FING Ø540 <i>USED ON F5400 FROM SERIAL No 710802 & ON V640 FROM SERIAL No 803233 (SUSPENSION FLOOR)</i>	1
1a	CZG04740	8MM L ROTOR PLATE 540 OD <i>REPLACEMENT ROTOR FINGER PLATE (NOTE: THERE ARE 2 FINGER PLATES PER FLIGHT)</i>	2
2	ACH02506	COMB WELD ASSY V6 NON-CHOPPER <i>STANDARD V640 MACHINES ONLY</i>	1
2	ACN00091	COMB 2 FINGER NON CHOPPER (SA) <i>STANDARD F5400 MACHINES ONLY</i>	1
3	ACH01206	GRASS GUARD CHOPPER UNIT F550 <i>STANDARD F5000 MACHINES ONLY</i>	1
4	ACN00042	GRASS COVER SPRING ASSY <i>INCLUDES ITEM 20</i>	1
5	ADB00051	PICKUP WHEEL COMP ASSY STD BALER	1
6	ADB00051	PICKUP WHEEL COMP ASSY STD BALER	1
7	ADB00052	PICKUP WHEEL ASSY ST BALER	2
8	ALA00035	HINGE PIN REEL FRONT	2
9	ARC00227	GRASS GUARD 23K ROTOR END SPUN	2
10	CBR00009	BEARING 6205 2RS	4
11	CFA00022	SETSCREW M10X16 Z/P	6
12	CFA00031	SETSCREW M12X25 Z/P	2
13	CFA00079	BOLT M12X45	2
14	CFA00124	NUT M12 NYLOC	2
15	CFA00128	NUT M16 NYLOC	8
16	CFA00250	WASHER SKM12	2
16	CFA00718	WASHER MUDWING A13 Z/P	2
16	CFA00720	WASHER FLAT M26 Z/P DIN126	2
17	CFA00139	WASHER FLAT 12MM H/D Z/P	2
18	CFA00140	WASHER FLAT 16MM Z/P	16
19	CFA00194	LINCH PIN PIPE 10MMX50MM	4
20	CFA00202	LINCH PIN 6MM	1
21	CFA00250	WASHER SKM12	4
22	CFA00251	WASHER SKM10	6
23	CFA00777	BOLT M12X80 GRADE 10.9 S/C	4
24	CFA00498	BOLT M16 X 80 Z/P	8
25	CMH00771	BUSH 12X35 STEPPED	2
26	CMH00838	BUSH 27X30.25X62 REEL WHEEL	2
27	CMH00962	PIN 30X200 STEPPED	2
28	CTP00070	DUST CAP 170/60-8 VREDESTEIN	2
29	CWH00037	WHEEL 170/60-8 V64+ 6PLY PICK-UP <i>INCLUDES ITEMS 10 & 26</i>	2
30	CZG04245	8MM L WHEEL GUIDE PART	2
31	CFA00005	LINCH PIN 10MM	2

Drop floor suspension [0K Standard] 2016 Onwards (991)



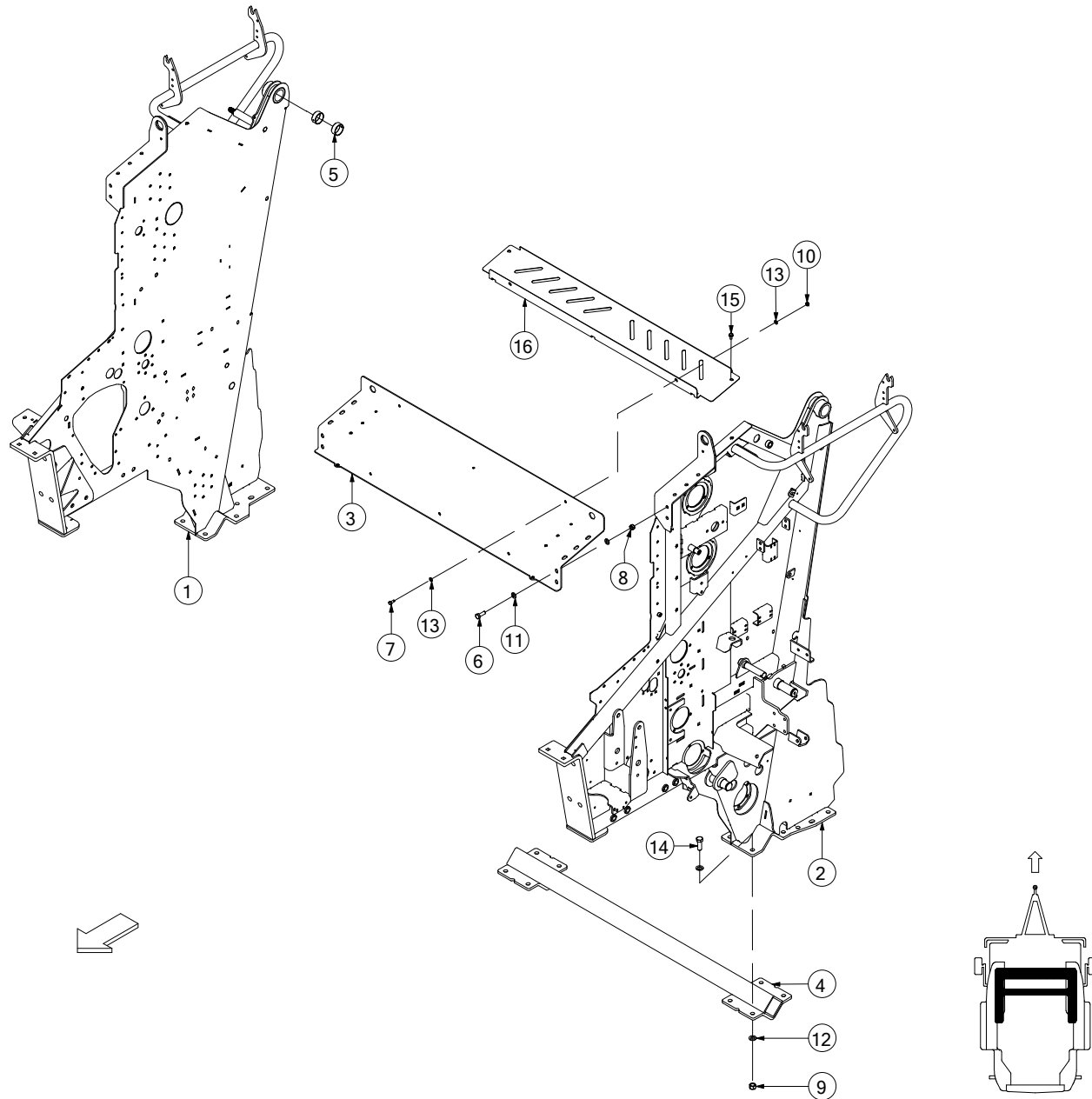
No.	Part No	Description	Qty
2	ACH01547	DROP FLOOR NON CHOPPER BIG ROTOR <i>USED FROM SERIAL No 710802 (F5400) & 803233 (V640-V6740)</i>	1
5	ALA00789	LINK ARM ASSY DROP FLOOR <i>INCLUDES ITEMS 8, 10, 18 & 36 (REPLACES ALA00751)</i>	2
6	CTP00536	FLOOR SUSPENSION SPRING TENSIONER BRCKT <i>REPLACES ALA00754 WHICH CAN ALSO BE USED</i>	2
7	KST00089	DUPLEX CHAIN BUFFER KIT <i>80MM INSTALLATION LENGTH (INCLUDES 1x CBE00340 & 2x ITEM 52)</i>	2
8	CBR00007	BEARING GLACIER PM 3025 DX	2
10	CBR00127	BEARING SPHERICAL 30MM GE30ES 2RS	2
14	CFA00024	SETSCREW M10X25 Z/P	4
18	CFA00118	GREASE NIPPLE M8X1.25 STRAIGHT	4
20	CFA00128	NUT M16 NYLOC	2
22	CFA00135	WASHER FLAT 1" Z/P	2
26	CFA00251	WASHER SKM10	4
27	CFA00339	CIRCLIP 20MM EXTERNAL	4
29	CFA00413	WASHER FLAT 20MM Z/P	4
32	CFA00519	SETSCREW M8X16 FLD ZP	2
33	CFA00556	SPLIT PIN 6X50 Z/P	2
36	CFA01083	CIRCLIP 50MM INTERNAL	4
39	CMH01109	WASHER 17X40X12 Z/P	2
43	CMH01656	BUSH 30X50X16 Z/P	2
44	CMH01711	PIN 20X36 Z/P	2
46	CRA00193	RAM CHOPPER FLOOR 20X40 BW	2
49	CZB00380	1.5MM D-FLOOR GUARD FUS3 & F5 <i>USED ON FUSION 3 & F5 MACHINES ONLY (REPLACES CZB00230)</i>	1
49	AGD00002	DROP FLOOR GUARD V6 & VARIO	1
51	CZD02959	WASHER 10X40X4	4
52	CZD05074	4MM L WASHER 16X68X4	4

Chassis



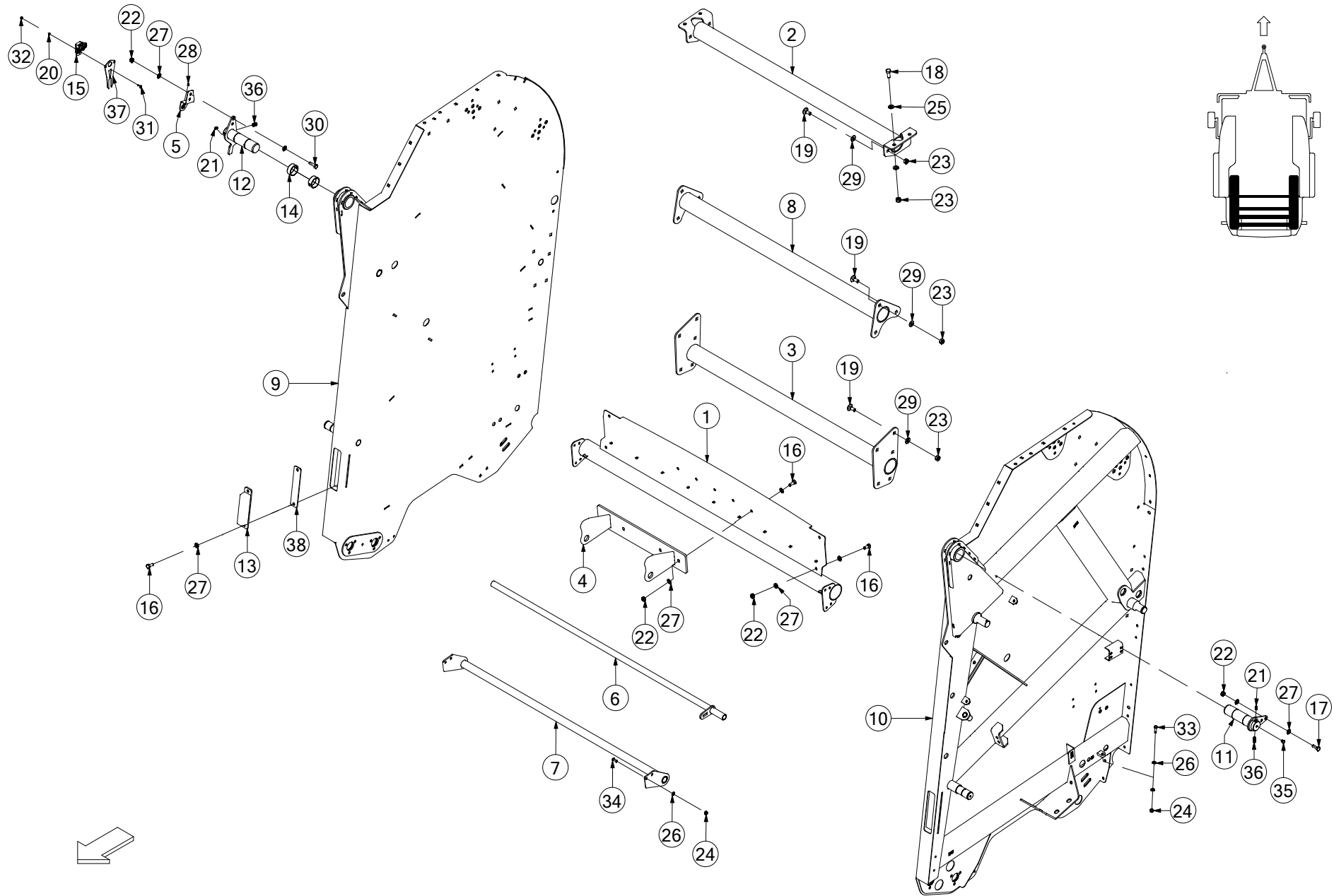
No.	Part No	Description	Qty
1	SPD01383	CHASSIS	

Front Chamber (1373)



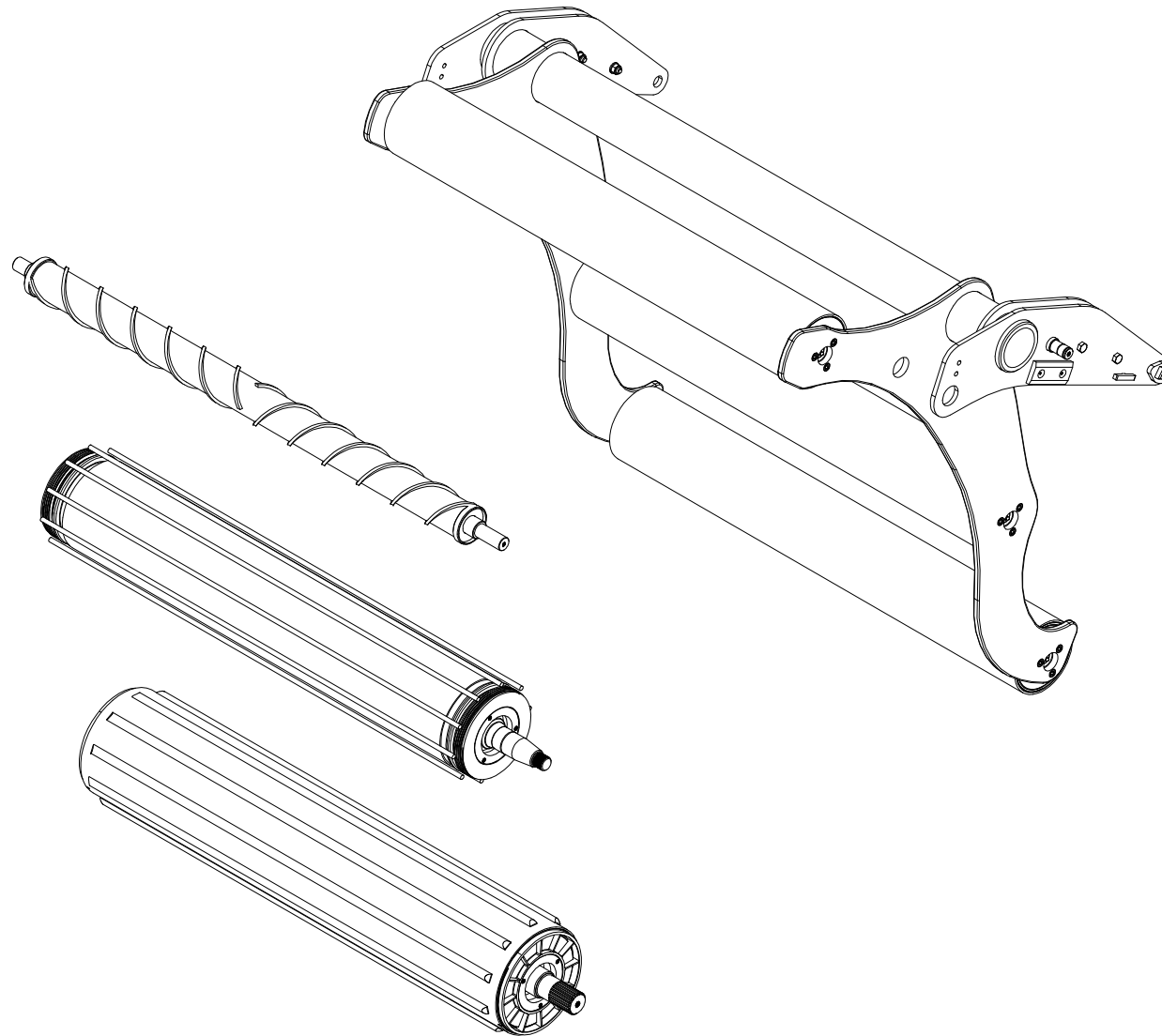
No.	Part No	Description	Qty
1	ACH03157	FRONT WELD ASSY RHS V67 SERIES	1
2	ACH03158	FRONT WELD ASSY LHS V67 SERIES	1
3	ACH03269	V SERIES BELT COVER TOP WELD ASSY	1
4	ALA00377	CROSS BEAM ASSY BELT BALER	1
5	CBR02003	BEARING GLACIER PM 4520 DX	2
6	CFA00033	SETSCREW M12X35 Z/P	1
7	CFA00052	SETSCREW M8X20 Z/P	1
8	CFA00124	NUT M12 NYLOC	1
9	CFA00128	NUT M16 NYLOC	1
10	CFA00132	NUT M8 NYLOC Z/P	1
11	CFA00138	WASHER FLAT 12MM Z/P	2
12	CFA00140	WASHER FLAT 16MM Z/P	2
13	CFA00147	WASHER FLAT 8MM Z/P	2
14	CFA00282	BOLT M16X45	1
15	CFA00519	SETSCREW M8X16 FLD ZP	1
16	CZB04720	2MM L VARIABLE CHAMBER FRONT GUARD	1

Rear Chamber (1374)



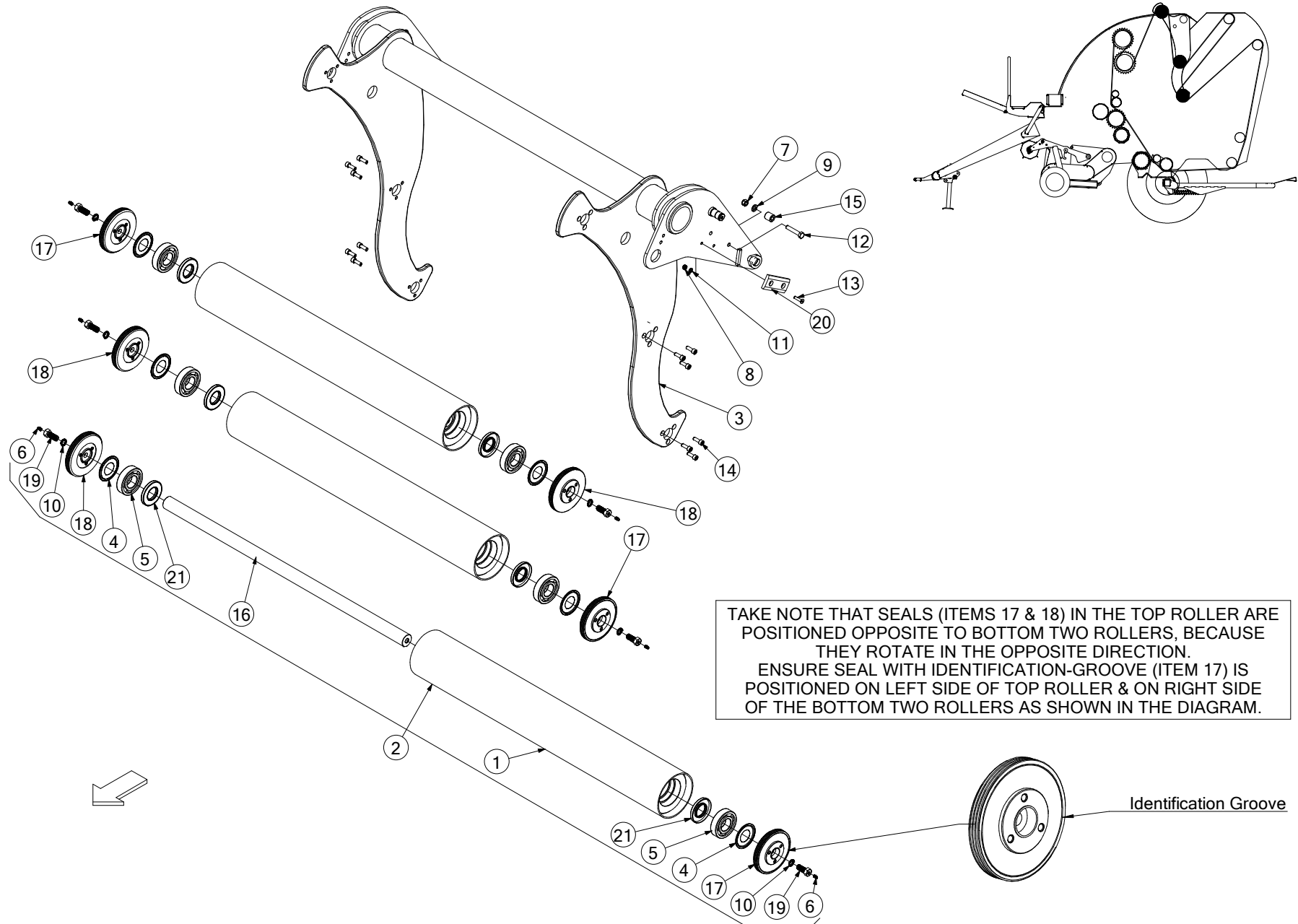
No.	Part No	Description	Qty
1	ABC00022	BACK PANEL LOWER V6	1
2	ACH02524	HINGE BRACE ASSY V6	1
3	ACH02532	BRACE WELD ASSY V6	1
4	ACH02533	BELT GUIDE WELD ASSY V6	1
5	ACH02625	POTENTIOMETER BRACKET ASSY VARIO	1
6	ACH02940	BELT GUIDE PIN ASSEMBLY	1
7	ACH03032	BELT GUIDE TUBE VARIABLE CHAMBER	1
8	ACH03067	CROSS BEAM WELD ASSY V6 AND VARIO	1
9	ACH03123	BACK DOOR WELD ASSY RIGHT V6 AND VARIO	1
10	ACH03124	REAR SIDE WALL LEFT V6 AND VARIO	1
11	ALA00496	45MM PIN ASSY V6	1
12	ALA00699	45MM PIN ASSEMBLY V6	1
13	CBE00197	BUFFER ASSY 43 SHORE V BALER	1
14	CBR02003	BEARING GLACIER PM 4520 DX	2
15	CEL00785	ANGLE SENSOR, 120 DEGREE, 0.5-4.5VOLT	1
16	CFA00024	SETSCREW M10X25 Z/P	3
17	CFA00025	SETSCREW M10X30	1
18	CFA00032	SETSCREW M12X30 Z/P	1
19	CFA00078	SETSCREW M12X30 CUP SQ Z/P	3
20	CFA00082	WASHER 4MM SHAKEPROOF	1
21	CFA00118	GREASE NIPPLE M8X1.25 STRAIGHT	2
22	CFA00123	NUT M10 NYLOC	4
23	CFA00124	NUT M12 NYLOC	4
24	CFA00132	NUT M8 NYLOC Z/P	2
25	CFA00138	WASHER FLAT 12MM Z/P	2
26	CFA00147	WASHER FLAT 8MM Z/P	3
27	CFA00201	WASHER FLAT 10 MM Z/P	9
28	CFA00208	GRUBSCREW M6X6 Z/P	1
29	CFA00250	WASHER SKM12	3
30	CFA00311	SETSCREW M10X35 Z/P	1
31	CFA00391	SETSCREW M4X16 Z/P	1
32	CFA00392	NUT M4 NYLOC	1
33	CFA00407	BOLT M8X25 Z/P	1
34	CFA00429	SETSCREW M8X20 BUTTON HEAD Z/P	1
35	CFA00447		2
36	CFA00549	GREASE FITTING 6MM X 1/8" M/M	2
37	CZC04833	3MM L ANGLE SENSOT PRT TENSION ARM	1
38	CZD04507	4MM L BUFFER SPACER V6/VARIO	1

Chamber Rollers

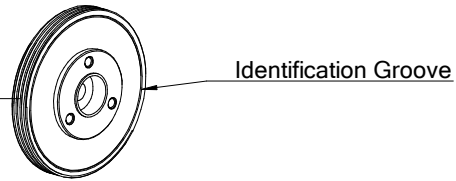


No.	Part No	Description	Qty
1	SPD01384	ROLLERS	

Tension Arm & Roller Assy (1381)

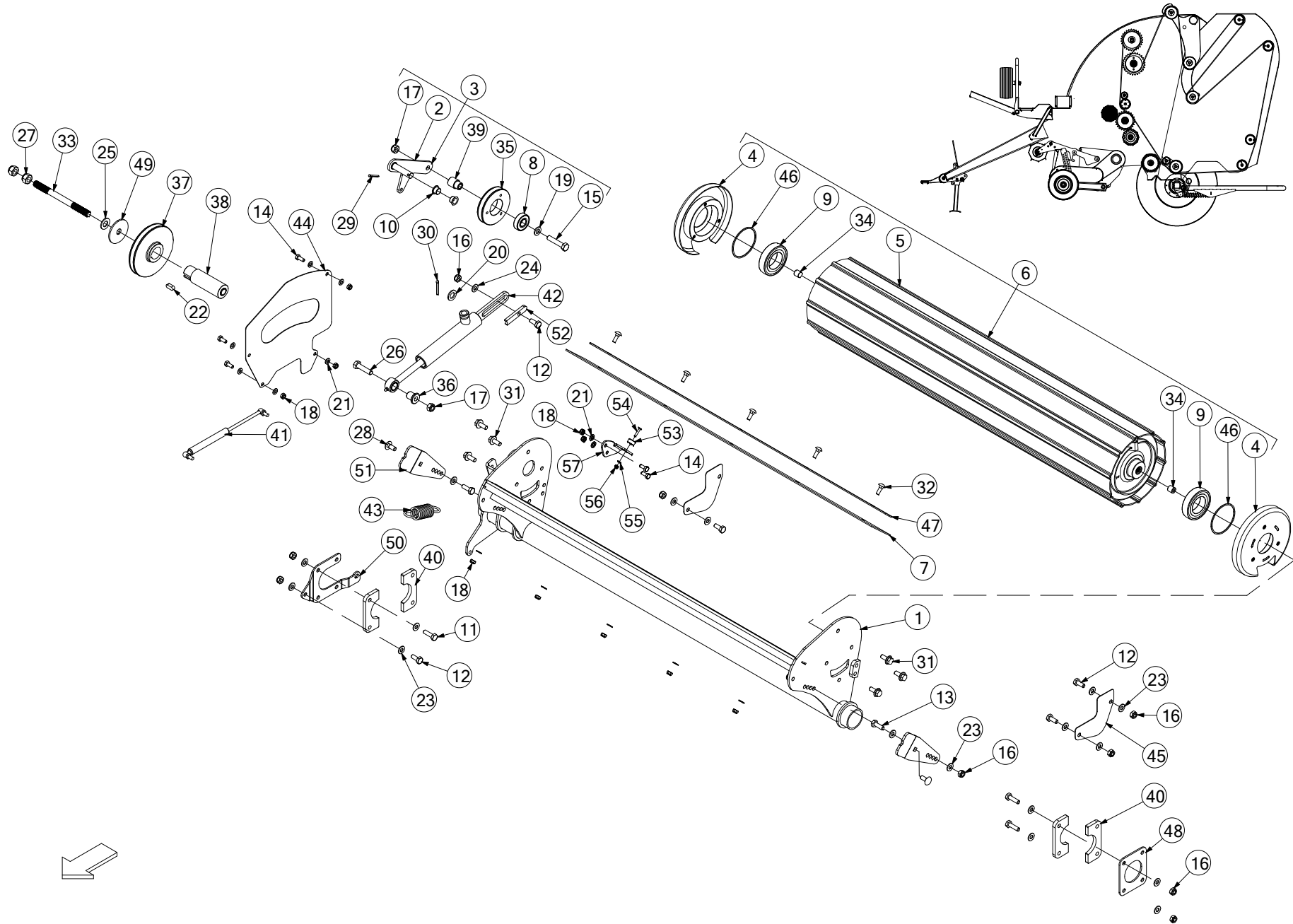


TAKE NOTE THAT SEALS (ITEMS 17 & 18) IN THE TOP ROLLER ARE POSITIONED OPPOSITE TO BOTTOM TWO ROLLERS, BECAUSE THEY ROTATE IN THE OPPOSITE DIRECTION.
ENSURE SEAL WITH IDENTIFICATION-GROOVE (ITEM 17) IS POSITIONED ON LEFT SIDE OF TOP ROLLER & ON RIGHT SIDE OF THE BOTTOM TWO ROLLERS AS SHOWN IN THE DIAGRAM.



No.	Part No	Description	Qty
0	ALA01053	TENSION ARM COMPLETE ASSY V6 1.8M <i>COMPLETE ASSEMBLY WITH ROLLERS (INCLUDES ITEMS 1 THROUGH 21)</i>	1
1	ACH02016	TUBE WELD ASSY	3
2	ACH02017	ROLLER COMP V BALER	3
3	ALA01052	TENSION ARM WELD ASSY V6 1.8M	1
4	CBR00281	NILOS RING 6309 AV	6
5	CBR00253	BEARING 6309 2RS	6
6	CFA00118	GREASE NIPPLE M8X1.25 STRAIGHT <i>USED FROM SERIAL No 803401/900340 (V6/VARIO - GREASING)</i>	6
7	CFA00124	NUT M12 NYLOC	4
8	CFA00132	NUT M8 NYLOC Z/P	4
9	CFA00138	WASHER FLAT 12MM Z/P	4
10	CFA00142	WASHER SPRING 16MM Z/P	6
11	CFA00147	WASHER FLAT 8MM Z/P	4
12	CFA00579	BOLT M12X65 ZP	4
13	CFA00581	SETSCREW M8X35 CSK ZP	4
14	CFA00809	BOLT M10X30 SOC CAP 12.9	18
15	CMH00745	BUSH 12X25X25	4
16	CMH02007	SHAFT VAR BALER	3
17	CMH02014	SEALING DISC V BALER <i>SEAL WITH IDENTIFICATION GROOVE ON NEARSIDE FOR LOWER 2 ROLLERS AND ON FAR SIDE FOR TOP ROLLER</i>	3
18	CMH02015	SEALING DISC V BALER	3
19	CFA00229	SETSCREW M16X35 Z/P <i>USED UP TO SERIAL No 803400/900339 (V6/VARIO - NON GREASING)</i>	6
19	CMH02754	BOLT M16 X 40 GREASING BOLT <i>USED FROM SERIAL No 803401/900340 (V6/VARIO - GREASING)</i>	6
20	CPL00111	BACK DOOR WEAR PLATE (VAR BALER)	2
21	CSE00642	GREASE SEAL 45X90X10 <i>USED FROM SERIAL No 803401/900340 (V6/VARIO - GREASING)</i>	6

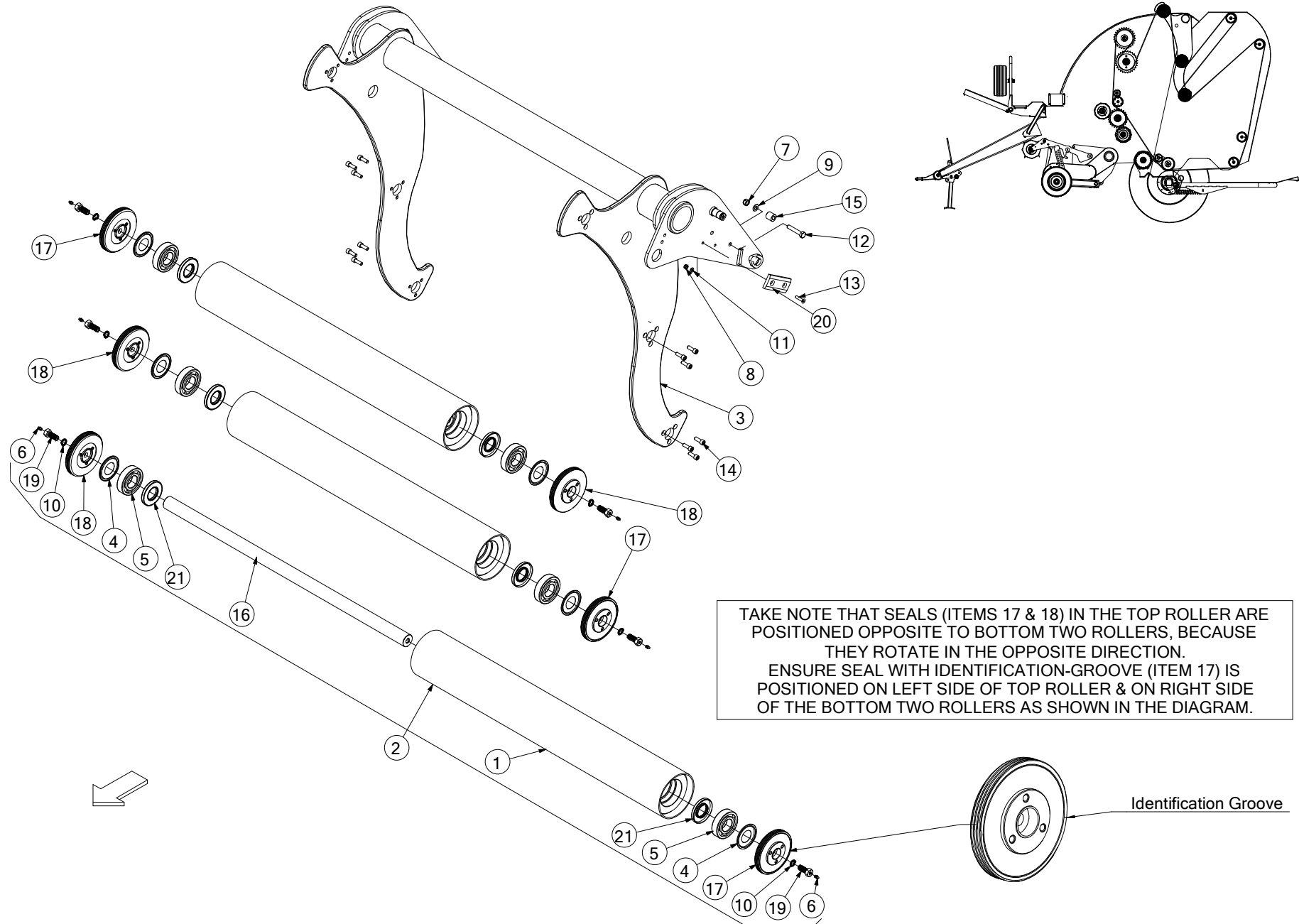
Moving roller (854)



No.	Part No	Description	Qty
1	ARC00218	ROLLER CRADLE WELD ASSY V660	1
2	ARC00221	BELT TENSIONER ARM WELD ASSY	1
3	ARC00222	BELT TENSION ARM COMP ASSY	1
4	CMH00977	BUSH 90X135X25	1
<i>USED UP TO SERIAL No 806189 LEFT SIDE</i>			
4	CPL00052	NYLON SEAL ROLLER DRIVE SIDE	1
<i>USED UP TO SERIAL No 806189 LEFT SIDE</i>			
4	CMH01187	FLANGE 90X145X25 3 HOLE	1
<i>USED UP TO SERIAL No 806189 RIGHT SIDE</i>			
4	CPL00053	NYLON SEAL ROLLER NON DRIVE SIDE	1
<i>USED UP TO SERIAL No 806189 RIGHT SIDE</i>			
4	ARC00446	SPUN ROLLER SEAL MOVING ROLLER	2
<i>USED FROM SERIAL No 806190</i>			
5	ARC00219	BALER ROLLER STD SHFT WELD ASY	1
<i>USED UP TO SERIAL No 806189</i>			
5	ARC00470	ROLLER WELD ASSY NET FEED	1
<i>USED FROM SERIAL No 806190</i>			
6	ARC00220	ROLLER COMP ASSY NET FEED	1
<i>USED UP TO SERIAL No 806189</i>			
6	ARC00471	ROLLER COMP ASSY NET FEED	1
<i>USED FROM SERIAL No 806190</i>			
7	CBE00217	RUBBER 97 X 1160 V660 CRADLE	1
8	CBR00020	BEARING 6204 2RS	1
9	CBR00083	BEARING 1726210-2RS RADIAL	2
10	CBR00118	BEARING STEPPED PLAS 16X18X12	2
11	CFA00016	BOLT M10X35	6
12	CFA00024	SETSCREW M10X25 Z/P	5
13	CFA00025	SETSCREW M10X30	2
14	CFA00052	SETSCREW M8X20 Z/P	6
15	CFA00076	BOLT M12X60 Z/P	1
16	CFA00123	NUT M10 NYLOC	15
17	CFA00124	NUT M12 NYLOC	2
18	CFA00132	NUT M8 NYLOC Z/P	11
19	CFA00138	WASHER FLAT 12MM Z/P	1
20	CFA00140	WASHER FLAT 16MM Z/P	1
21	CFA00147	WASHER FLAT 8MM Z/P	15
22	CFA00155	KEY 10 X 8 X 25	1
23	CFA00201	WASHER FLAT 10 MM Z/P	26
24	CFA00251	WASHER SKM10	1
25	CFA00252	WASHER SKM16	1
26	CFA00272	BOLT M12X50 Z/P	1
27	CFA00386	NUT M16X1.5 GRADE 10 DIN 985 NYLOC	2
28	CFA00442	SETSCREW M10X25 CUP SQ	2
29	CFA00450	SPLIT PIN 4 X36 Z/P	1
30	CFA00475	SPLIT PIN 5X40 Z/P	1
31	CFA00520	SETSCREW M10X25 FLD ZP	6
32	CFA00591	BOLT M8X25 CUP SQ Z/P	5
33	CFA00867	M16X205 BOLT SPECIAL V660	1
34	CFA00906	GRUB SCREW M16X16 DIN913	2
35	CMH00596	V BELT PULLEY WHEEL	1

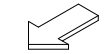
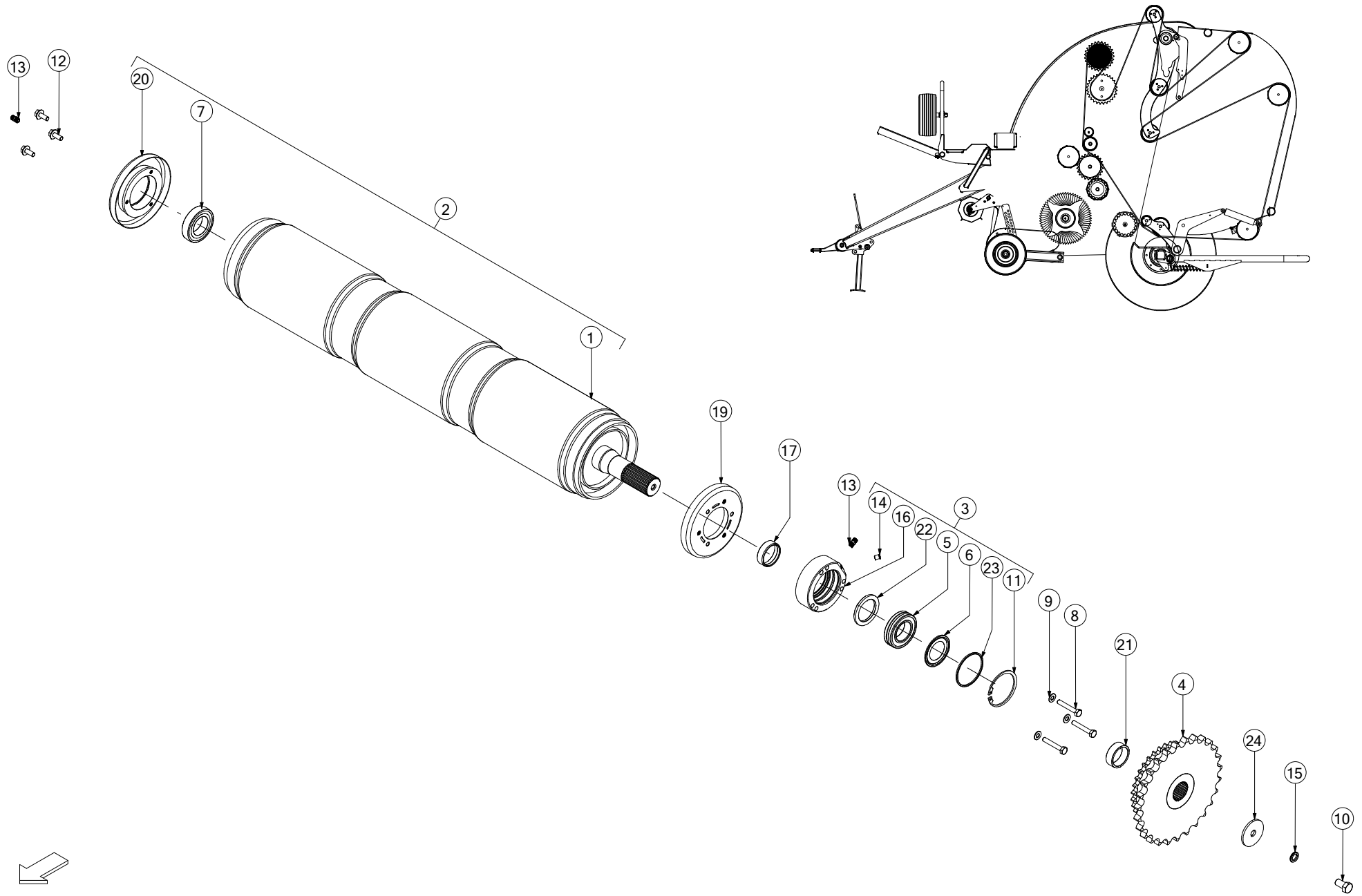
36	CMH01214	BUSH 12.5X20X27 STEPPED Z/P	1
37	CMH01240	PULLEY 35X150 A SECTION	1
38	CMH01275	PIN 45X135 STEPPED 35	1
39	CMH01298	BUSH 12X25X35 STEPPED 20	1
40	CPL00123	ROLLER CRADLE HINGE BUSH	4
41	CRA00262	GAS STRUT 8X18X95 500NM	1
42	CRA00574	ROLLER RESET RAM V6	1
43	CSG00340	SPRING EXT 4.5X35.5X120X13	1
<i>REPLACES SPRING EXT (3.66X28.5X135X25) CSG00011</i>			
44	CZB02374	1.5MM L DIRT GUARD PART V660	1
45	CZB04438	1.5MM COVER PLATE V6	2
46	CZB04755	2MM L BEARING RETAINER RING	2
<i>USED FROM SERIAL No 806190</i>			
47	CZC03454	3MM L BACKING STRIP ROLLER CRADLE	1
48	CZD00237	4MM L HINGE SUPPORT PART	1
49	CZD04321	4MM L WASHER 16X70X4 Z/P	1
50	CZD04780	4MM L PIVOT SUPPORT PART V6	1
51	CZF05626	6MM L ROLLER STOP BRACKET	2
52	CZG04363	8MM RAM SPACER V660	1
53	CEL00059	MAGNET 20 X 10 260369	1
<i>USED UP TO SERIAL No 801349 ONLY</i>			
54	CFA00261	SETSCREW M5X25 CSK HEX SS	1
<i>USED UP TO SERIAL No 801349 ONLY</i>			
55	CFA00337	WASHER FLAT 5MM Z/P	1
<i>USED UP TO SERIAL No 801349 ONLY</i>			
56	CFA00348	NUT M5 NYLOC SS	1
<i>USED UP TO SERIAL No 801349 ONLY</i>			
57	CZD02646	4MM L MAGNET BRACKET PART	1
<i>USED UP TO SERIAL No 801349 ONLY</i>			

Tension arm rollers (858)



No.	Part No	Description	Qty
0	ALA00682	TENSION ARM COMPLETE ASSY V6 MKIII <i>COMPLETE ASSEMBLY WITH ROLLERS (INCLUDES ITEMS 1 THROUGH 21)</i>	1
1	ACH02016	TUBE WELD ASSY	3
2	ACH02017	ROLLER COMP V BALER	3
3	ALA00494	TENSION ARM WELD ASSY V6 MKIII	1
4	CBR00281	NILOS RING 6309 AV	6
5	CBR00253	BEARING 6309 2RS	6
6	CFA00118	GREASE NIPPLE M8X1.25 STRAIGHT <i>USED FROM SERIAL No 803401/900340 (V6/VARIO - GREASING)</i>	6
7	CFA00124	NUT M12 NYLOC	4
8	CFA00132	NUT M8 NYLOC Z/P	4
9	CFA00138	WASHER FLAT 12MM Z/P	4
10	CFA00142	WASHER SPRING 16MM Z/P	6
11	CFA00147	WASHER FLAT 8MM Z/P	4
12	CFA00579	BOLT M12X65 ZP	4
13	CFA00581	SETSCREW M8X35 CSK ZP	4
14	CFA00809	BOLT M10X30 SOC CAP 12.9	18
15	CMH00745	BUSH 12X25X25	4
16	CMH02007	SHAFT VAR BALER	3
17	CMH02014	SEALING DISC V BALER <i>SEAL WITH IDENTIFICATION GROOVE ON NEARSIDE FOR LOWER 2 ROLLERS AND ON FAR SIDE FOR TOP ROLLER</i>	3
18	CMH02015	SEALING DISC V BALER	3
19	CFA00229	SETSCREW M16X35 Z/P <i>USED UP TO SERIAL No 803400/900339 (V6/VARIO - NON GREASING)</i>	6
19	CMH02754	BOLT M16 X 40 GREASING BOLT <i>USED FROM SERIAL No 803401/900340 (V6/VARIO - GREASING)</i>	6
20	CPL00111	BACK DOOR WEAR PLATE (VAR BALER)	2
21	CSE00642	GREASE SEAL 45X90X10 <i>USED FROM SERIAL No 803401/900340 (V6/VARIO - GREASING)</i>	6

Top drive roller (639)

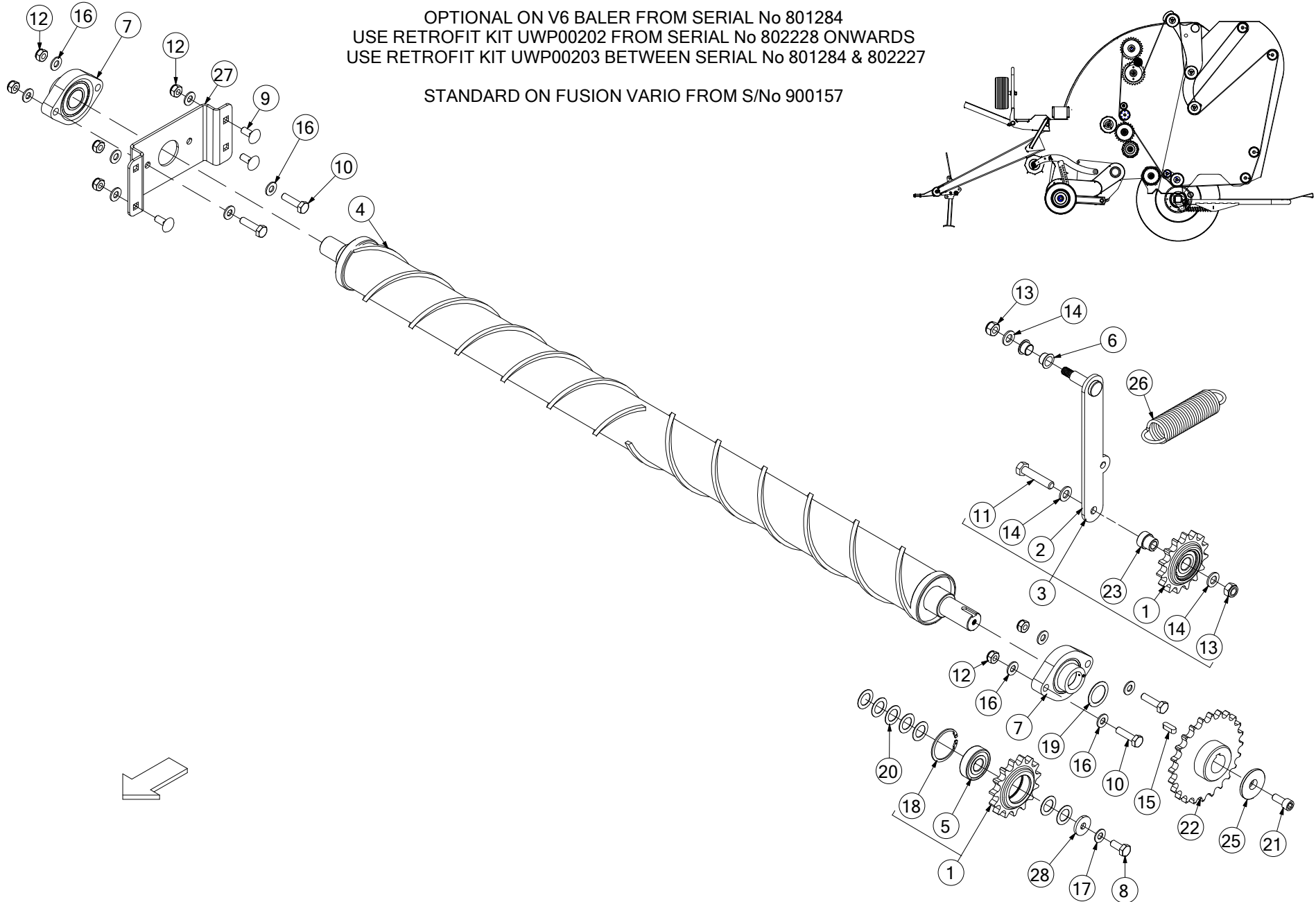


No.	Part No	Description	Qty
1	ARC00487	3 BELT DRIVE ROLLER BELT BALER <i>REPLACES ACH02023/ACH02946</i>	1
2	ARC00487	3 BELT DRIVE ROLLER BELT BALER <i>REPLACES ACH02033/ARC00432</i>	1
3	ART00051	BEARING ROLLER COMP ASSY	1
4	ART00338	27T SPROCKET ASSY BELT BALER	1
5	CBR00060	BEARING SPHERICAL SKF 2210CC	1
6	CBR00061	NILOS-RING 6210AV	1
7	CBR00083	BEARING 1726210-2RS RADIAL <i>USED UP TO SERIAL No 806548 ON V6 SERIES & UP TO SERIAL No 900706 ON FUSION VARIO</i>	1
7	CBR00369	BEARING 1726310-2RS1 <i>USED FROM SERIAL No 806549 ON V6 SERIES & FROM SERIAL No 900707 ON FUSION VARIO</i>	1
8	CFA00028	BOLT M10X65 Z/P	3
9	CFA00251	WASHER SKM10	3
10	CFA00399	SETSCREW M16X30 Z/P	1
11	CFA00452	CIRCLIP 95MM INTERNAL	1
12	CFA00520	SETSCREW M10X25 FLD ZP	3
13	CFA00549	GREASE FITTING 6MM X 1/8"	2
14	CFA00559	GRUBSCREW M10X12	1
15	CFA00783	WASHER NL16 NORD-LOCK	1
16	CMH00511	BUSH 90X135X46 BEARING HOUSING	1
17	CMH00445	BEARING ROLLER SLEEVE 50 ID X14 <i>UP TO SERIAL NO 801349</i>	1
17	CMH01363	BEARING ROLLER SLEEVE 50 ID X18 <i>FROM SERIAL NO 801350</i>	1
19	ARC00287	SPUN ROLLER SEAL DS V6	1
20	ARC00288	SPUN ROLLER SEAL NDS V6 <i>USED UP TO SERIAL No 806548 ON V6 SERIES & UP TO SERIAL No 900706 ON FUSION VARIO</i>	1
20	ARC00484	SPUN ROLLER SEAL NDS DRIVE V6 VARIO <i>USED FROM SERIAL No 806549 ON V6 SERIES & FROM SERIAL No 900707 ON FUSION VARIO</i>	1
21	CMH02349	BUSH 50X60X20	1
22	CSE00099	SEAL OIL 58X80X8	1
23	CZC02063	3MM L BEARING RETAINER RING	1
24	CZE04255	5MM L WASHER 16X70X5	1

Top cleaning auger (963)

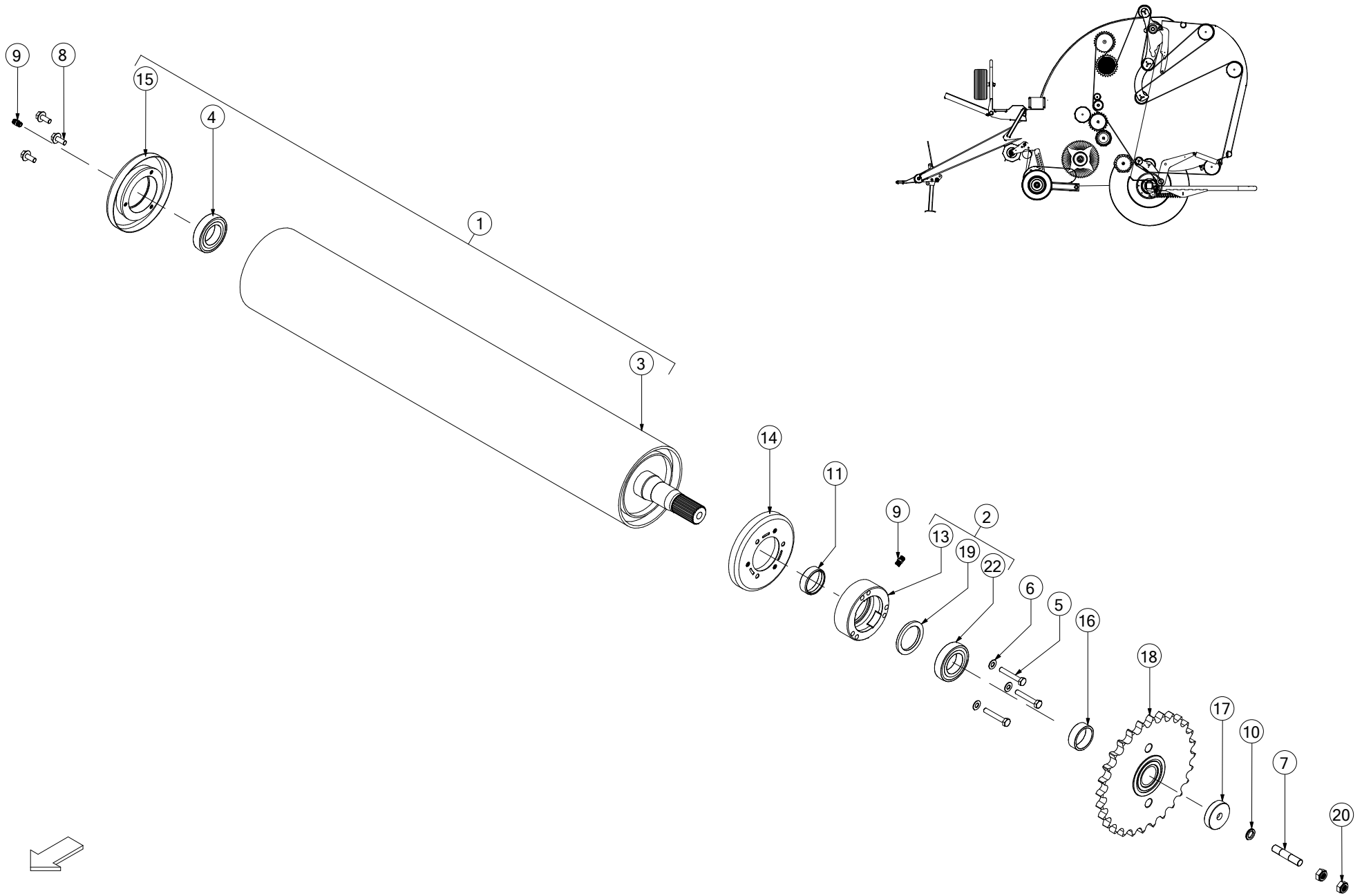
OPTIONAL ON V6 BALER FROM SERIAL No 801284
USE RETROFIT KIT UWP00202 FROM SERIAL No 802228 ONWARDS
USE RETROFIT KIT UWP00203 BETWEEN SERIAL No 801284 & 802227

STANDARD ON FUSION VARIO FROM S/No 900157



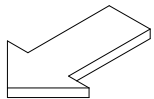
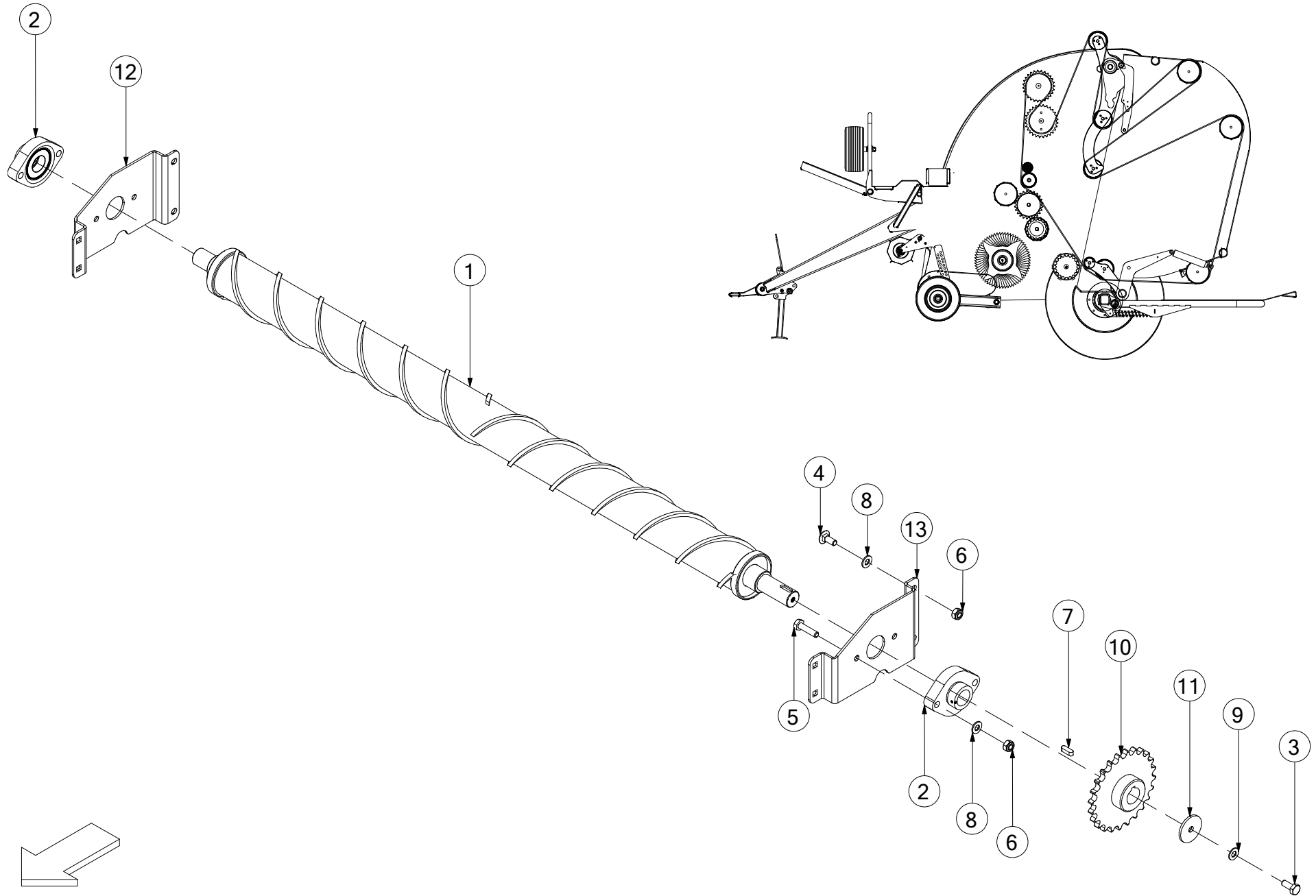
No.	Part No	Description	Qty
0	UWP00202	TOP CLEANING AUGER V6 & VARIO > S No 802228 <i>RETROFIT KIT FOR V6 MACHINES FROM S/No 802228 ONWARDS (INCLUDES ALL ITEMS & INSTRUCTIONS)</i>	1
0	UWP00203	TOP CLEANING AUGER V6 & VARIO < S No 802228 <i>RETROFIT KIT FOR V6 MACHINES PRIOR TO S/No 802228 (INCLUDES ALL ITEMS, TEMPLATES & INSTRUCTIONS)</i>	1
1	ALA00700	TENSIONER SPROCKET ASSEMBLY V6 <i>INCLUDES ITEMS 5, 18 & 24</i>	2
2	ALA00731	AUGER CHAIN TENSIONER V6	1
3	ALA00732	AUGER CHAIN TENSIONER V6 <i>INCLUDES ITEMS 1, 2, 11, 13, 14 & 23</i>	1
4	ARC00372	TOP AUGER WELD ASSY	1
5	CBR00066	BEARING 6304 2RS	2
6	CBR00118	BEARING STEPPED PLAS 16X18X12	2
7	CBR00288	BEARING FLCTE30	2
8	CFA00024	SETSCREW M10X25 Z/P	1
9	CFA00442	BOLT M10X25 CUP SQ. Z/P	4
10	CFA00071	BOLT M10X40	4
11	CFA00076	BOLT M12X60 Z/P	1
12	CFA00123	NUT M10 NYLOC	8
13	CFA00124	NUT M12 NYLOC	2
14	CFA00138	WASHER FLAT 12MM Z/P	6
15	CFA00154	KEY 8 X 7 X 25	1
16	CFA00201	WASHER FLAT 10 MM Z/P	12
17	CFA00251	WASHER SKM10	1
18	CFA00461	CIRCLIP 52MM INTERNAL DIN 472	2
19	CFA00572	SHIM 30X42X1	1
20	CFA02282	SHIM 20X32X1.0	7
21	CFA02315	BOLT M10X25 SOC CAP 12.9	1
22	CMH01265	SPROCKET 3/4 24 TOOTH	1
23	CMH02744	BUSH 30 X 25 STEPPED 20 <i>REPLACES SHORTER BUSH CMH01398 & 3x FLATWASHERS CFA00138 (ITEM 14)</i>	1
25	CMH02673	BUSH 10.5X50X11 STEPPED	1
26	CSG00229	SPRING EXT 4.88X40.8X176X24	1
27	CZD04880	4MM L TOP AUGER BRACKET V6 <i>UP TO SERIAL No 803404 (AS SHOWN)</i>	1
27	CZD05038	4MM L TOP AUGER BRACKET V6 VARIO <i>FROM SERIAL No 803405</i>	1
28	CZD04886	4MM L WASHER 32X10.5	1

Bottom drive roller (640)



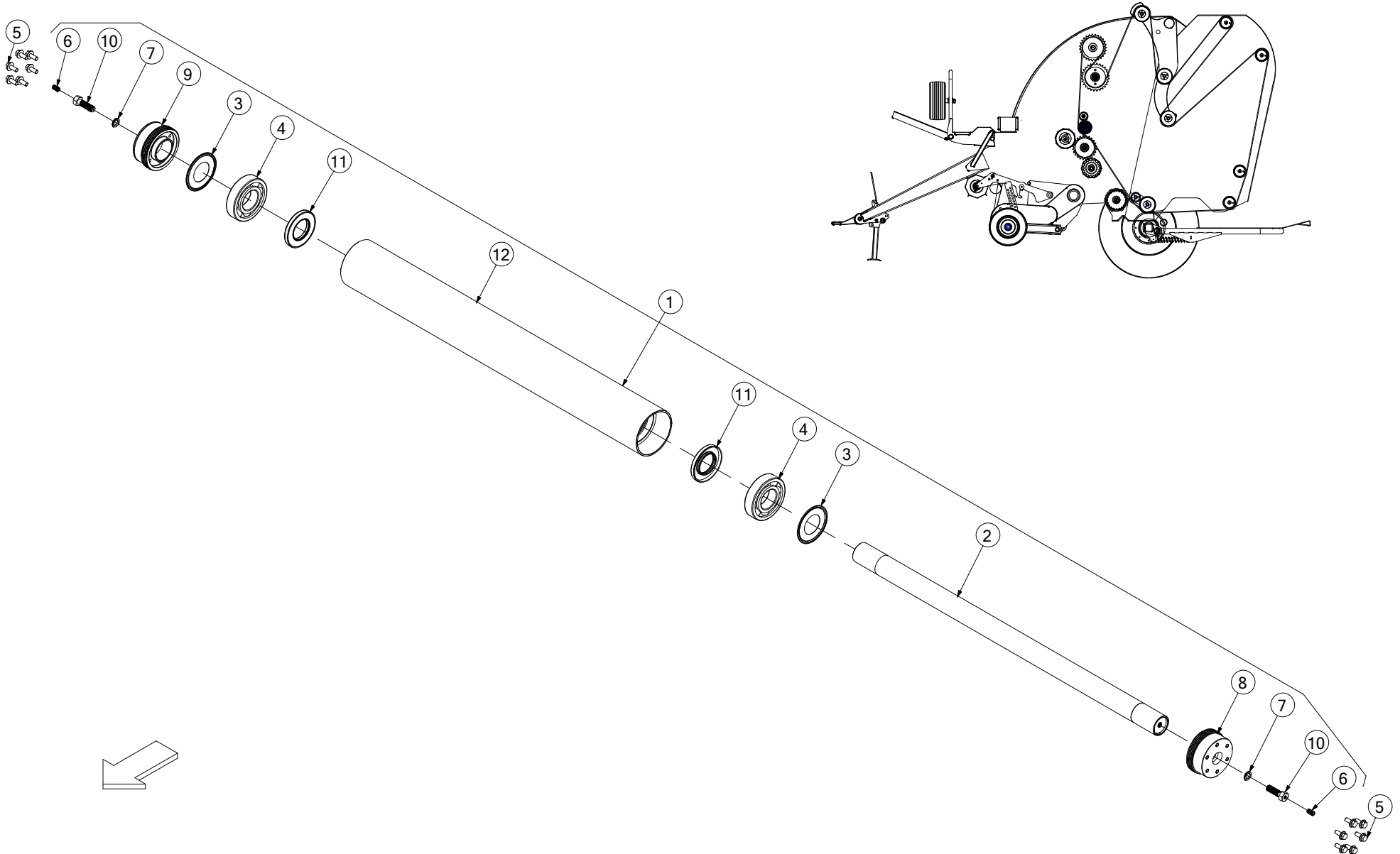
No.	Part No	Description	Qty
1	ARC00495	2ND DRIVE ROLLER BELT BALER <i>(REPLACES ARC00170)</i>	1
2	ART00051	BEARING ROLLER COMP ASSY <i>REPLACES ART00293</i>	1
3	ARC00495	2ND DRIVE ROLLER BELT BALER	1
4	CBR00083	BEARING 1726210 2RS <i>USED UP TO SERIAL No 806548 ON V6 SERIES & UP TO SERIAL No 900706 ON FUSION VARIO</i>	1
4	CBR00369	BEARING 1726310-2RS1 <i>USED FROM SERIAL No 806549 ON V6 SERIES & FROM SERIAL No 900707 ON FUSION VARIO</i>	1
5	CFA00028	BOLT M10X65 Z/P	3
6	CFA00251	WASHER SKM10	3
7	CFA00933	STUD M16X70 GRADE 10.9 F/TX1	1
8	CFA00520	SETSCREW M10X25 FLANGED 8.8 ZP	3
9	CFA00549	GREASE FITTING 6MM X 1/8"	2
10	CFA00783	WASHER NL16 NORD-LOCK	1
11	CMH01363	BEARING ROLLER SLEEVE 50 ID X18 <i>UP TO SERIAL NO 801349</i>	1
11	CMH00906	BEARING ROLLER SLEEVE 50 ID X21 <i>FROM SERIAL NO 801350</i>	1
13	CMH00511	BUSH 90X135X46 BEARING HOUSING <i>REPLACES CMH00905</i>	1
14	ARC00287	SPUN ROLLER SEAL DS V6	1
15	ARC00386	SPUN ROLLER SEAL NDS SECONDARY DRIVE V6 <i>USED UP TO SERIAL No 806548 ON V6 SERIES & UP TO SERIAL No 900706 ON FUSION VARIO</i>	1
15	ARC00484	SPUN ROLLER SEAL NDS DRIVE V6 VARIO <i>USED FROM SERIAL No 806549 ON V6 SERIES & FROM SERIAL No 900707 ON FUSION VARIO</i>	1
16	CMH02349	BUSH 50X60X20	1
17	CMH02350	WASHER STEPPED 52X46X16	1
18	CMT00200	OVERRUNNING CLUTCH BELT BALER	1
19	CSE00099	SEAL OIL 58X80X8	1
20	CFA00386	NUT M16X1.5 NYLOC FINE DIN 985	2
22	CBR00060	BEARING SPHERICAL SKF 22210CC <i>REPLACES CBR00083</i>	1
22a	CBR00061	NILOS-RING 6210AV	1
22b	CZC02063	3MM L BEARING RETAINER RING	1
22c	CFA00452	CIRCLIP 95MM INTERNAL	1

Mid cleaning auger (646)



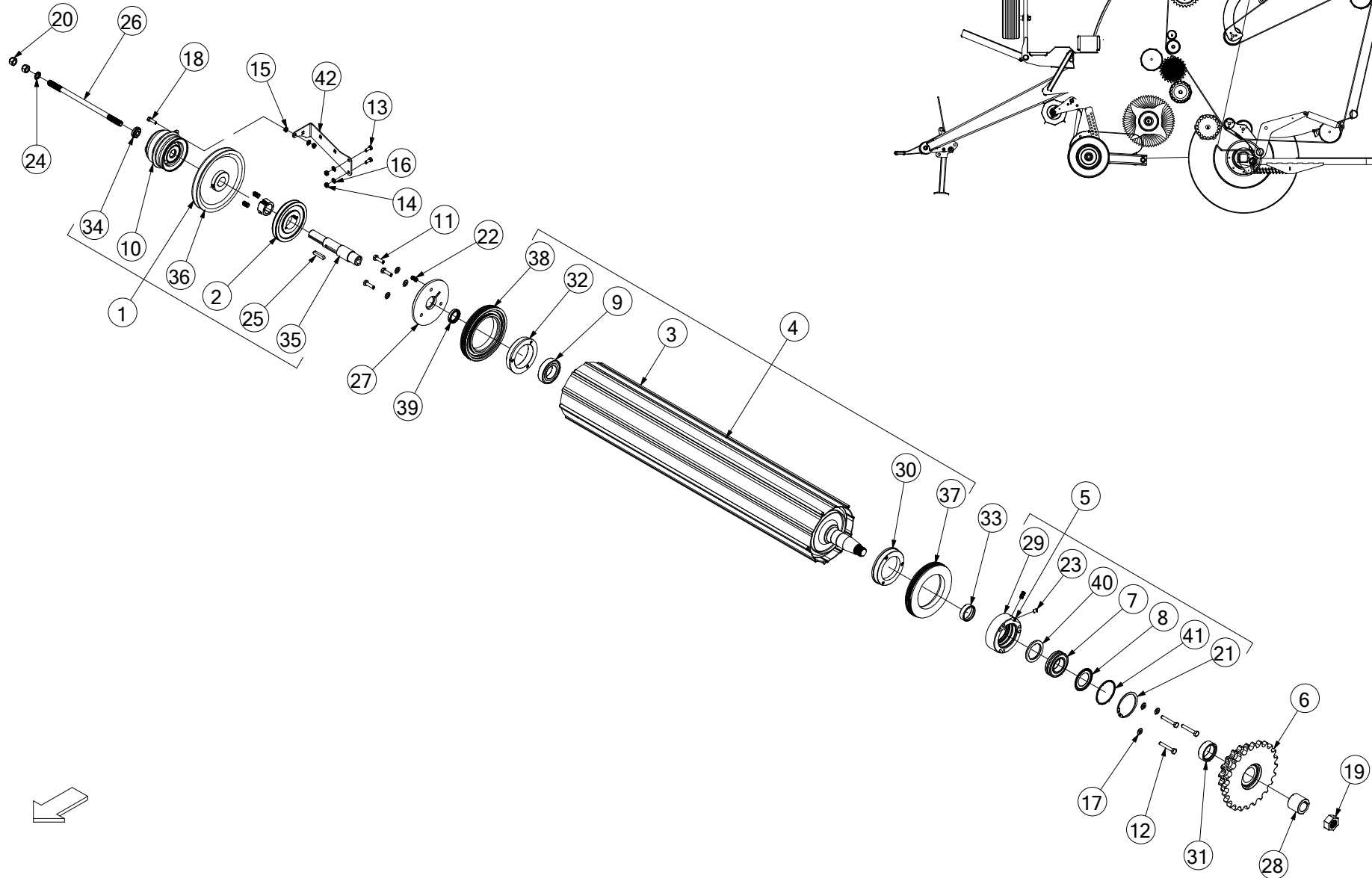
No.	Part No	Description	Qty
1	ARC00228	AUGER WELD ASSY LONG	1
2	CBR00288	BEARING FLCTE30	2
3	CFA00024	SETSCREW M10X25 Z/P	1
4	CFA00442	BOLT M10X25 CUP SQ. Z/P	8
5	CFA00071	BOLT M10X40	4
6	CFA00123	NUT M10 NYLOC	12
7	CFA00154	KEY 8 X 7 X 25	1
8	CFA00201	WASHER FLAT 10 MM Z/P	12
9	CFA00251	WASHER SKM10	1
10	CMH01265	SPROCKET 3/4" 24 TOOTH	1
11	CZD02479	4MM L WASHER 10.5X50X4 Z/P	1
12	CZD02602	4MM L AUGER BRACKET V660	1
13	CZD02603	4MM L AUGER BRACKET V660	1

Small idle roller (645)



No.	Part No	Description	Qty
1	ARC00209	ROLLER Ø140X1155 COMP ASSY <i>ALSO ORDER 2x CFA00590 (ITEM 6) FOR V6/VARIO MACHINES PRIOR TO SERIAL No 803401/900340</i>	1
2	ARC00210	SHAFT ASSY IDLE ROLLER BELT BALER	1
3	CBR00285	NILOS-RING 6312AV	2
4	CBR00284	BEARING 6312 2RS	2
5	CFA00520	SETSCREW M10X25 FLD ZP	12
6	CFA00590	GREASE NIPPLE 1/8 BSP ST <i>ORDER WITH ARC00209 FOR NON GREASING V6/VARIO MACHINES PRIOR TO SERIAL No 803401/900340</i>	2
6	CFA00549	GREASE FITTING 6MM X 1/8" M/M <i>USED FROM SERIAL No 803401/900340 (V6/VARIO - GREASING)</i>	2
7	CFA00783	WASHER NL16 NORD-LOCK	2
8	CMH01257	SEALING DISC LEFT VAR BALER	1
9	CMH01258	SEALING DISC RIGHT VAR BALER	1
10	CFA00229	SETSCREW M16X35 Z/P <i>USED UP TO SERIAL No 803400/900339 (V6/VARIO - NON GREASING)</i>	2
10	CMH02753	BOLT M16 X 55 GREASING BOLT <i>USED FROM SERIAL No 803401/900340 (V6/VARIO - GREASING)</i>	2
11	CSE00643	GREASE SEAL 60X110X12 <i>USED FROM SERIAL No 803401/900340 (V6/VARIO - GREASING)</i>	2
12	ARC00467	VARIABLE CHAMBER FRONT DOOR IDLE ROLLER <i>REPLACES CXT00543</i>	1

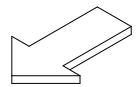
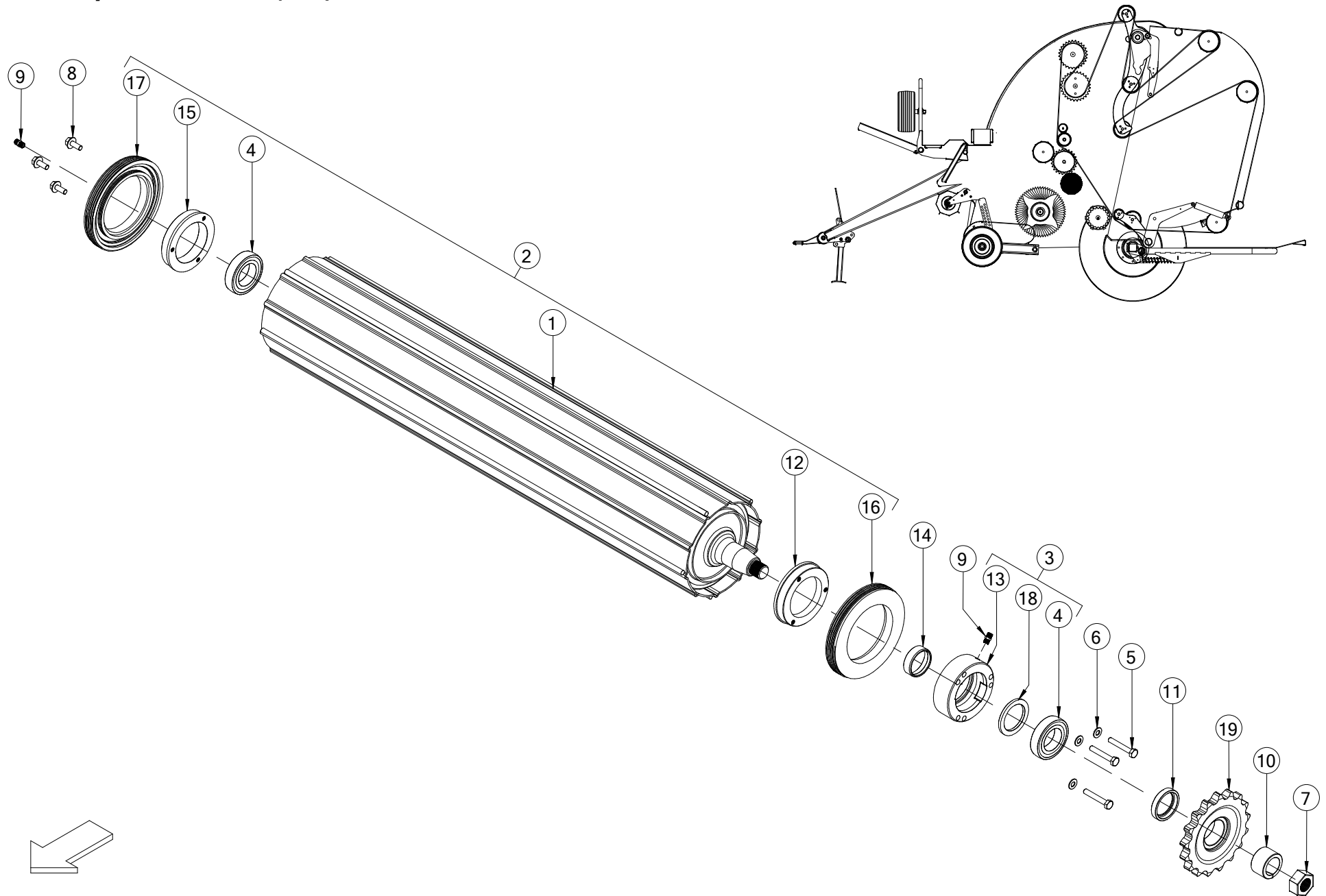
Top pressed roller [From Serial No 800350] (770)



No.	Part No	Description	Qty
1	ALA00479	NETTER CLUTCH SHAFT ASSY V660 <i>USED ON V6 SERIES UP TO SERIAL No 805000 & ON FUSION VARIO UP TO SERIAL No 900339</i>	1
1	ALA00888	NETTER CLUTCH SHAFT ASSY VARIO <i>USED ON FUSION VARIO ONLY FROM SERIAL No 900340</i>	1
1	ALA01049	NETTER CLUTCH SHAFT ASSY V6 MKIV <i>USED ON V6 SERIES ONLY FROM SERIAL No 805001</i>	1
2	ARC00248	PULLEY 150 A SECTION TAPER LOCK <i>USED ON FUSION VARIO UP TO SERIAL No 900339</i>	1
3	ARC00256	ROLLER C/W FLAT IRON V660	1
4	ARC00333	TOP CHAMBER ROLLER COMP V6	1
5	ART00051	BEARING ROLLER COMP ASSY	1
6	ART00330	SPROCKET ASSY DOUBLE BELT BALER	1
7	CBR00060	BEARING SPHERICAL SKF 2210CC	1
8	CBR00061	NILOS-RING 6210AV	1
9	CBR00083	BEARING 1726210-2RS RADIAL	1
10	CEL00259	MAGNETIC CLUTCH UNIT 12V	1
11	CFA00016	BOLT M10X35	3
12	CFA00028	BOLT M10X65 Z/P	3
13	CFA00052	SETSCREW M8X20 Z/P	2
14	CFA00132	NUT M8 NYLOC Z/P	3
15	CFA00133	NUT M8 Z/P	1
16	CFA00147	WASHER FLAT 8MM Z/P	3
17	CFA00251	WASHER SKM10	6
18	CFA00316	BOLT M8X30 Z/P	1
19	CFA00401	NUT M30X2 FINE THREAD	1
20	CFA00386	NUT M16X1.5 NYLOC FINE THREAD	2
21	CFA00452	CIRCLIP 95MM INTERNAL	1
22	CFA00549	GREASE FITTING 6MM X 1/8" M/M	2
23	CFA00559	GRUBSCREW M10X12	1
24	CFA00783	WASHER NL16 NORD-LOCK	1
25	CFA00904	KEY 10X8X50	1
26	CFA00905	M16X350 BOLT SPECIAL NET CLUTCH	1
27	CMH00493	FLANGE 40 X 170 X 10 <i>UP TO SERIAL No 805026</i>	1
27	ARC00150	SEAL PLATE ASSY NET CLUTCH <i>FROM SERIAL No 805027 (INCLUDES GREASE FITTING ITEM 22 & SHAFT SEAL ITEM 39)</i>	1
28	CMH00508	BUSH 36X58X47 TAPER	1
29	CMH00511	BUSH 90X135X46 BEARING HOUSING	1
30	CMH00696	FLANGE 90X140X25 MACHINED	1
31	CMH00736	BUSH 50X68X25 STEPPED 58	1
32	CMH01187	FLANGE 90X145X25 3 HOLE	1
33	CMH01363	BEARING ROLLER SLEEVE 50 IDX18 <i>REPLACES CMH00445 (50 ID X 14)</i>	1
34	CMH02206	WASHER 16X38X10 STEPPED Z/P	1
35	CMH02451	CLUTCH SHAFT V660	1
36	CTP00487	PULLEY PRESSED STEEL 224MM SPB <i>USED ON V6 SERIES UP TO SERIAL No 805000 & ON FUSION VARIO UP TO SERIAL No 900339 (REPLACES CMH02452)</i>	1
37	CPL00052	NYLON SEAL ROLLER DRIVE SIDE <i>CPL00052 & CPL00053 SHOULD BE REPLACED AS A PAIR</i>	1
38	CPL00053	NYLON SEAL ROLLER NON DRIVE SIDE <i>CPL00052 & CPL00053 SHOULD BE REPLACED AS A PAIR</i>	1

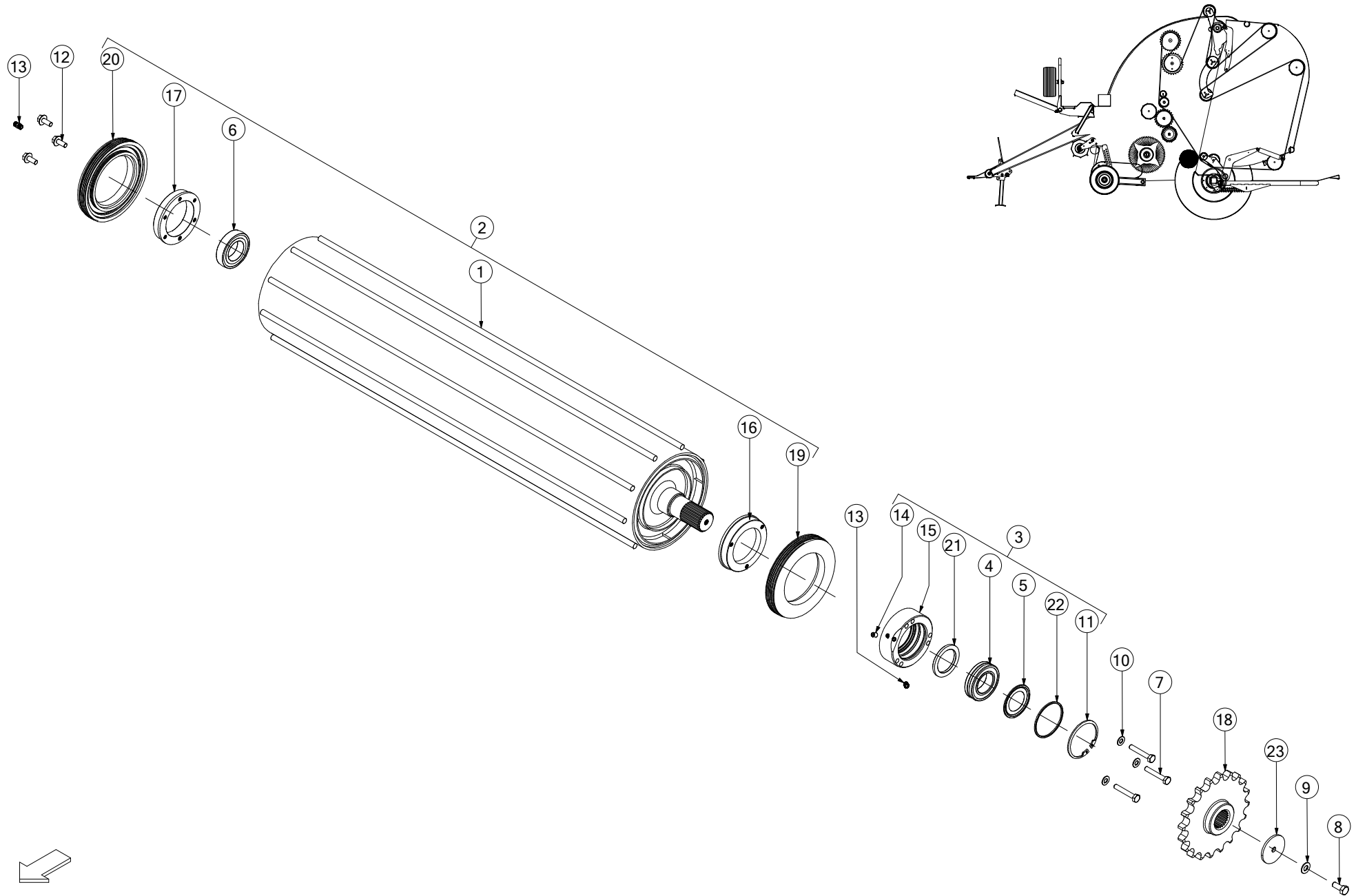
39	CSE00098	SEAL RADIAL SHAFT SEAL 35 X 50 X 8	1
40	CSE00099	SEAL OIL 58X80X8	1
41	CZC02063	3MM L BEARING RETAINER RING	1
42	CZC03325	3MM L CLUTCH TORQUE ARM PART	1

Bottom pressed roller (643)



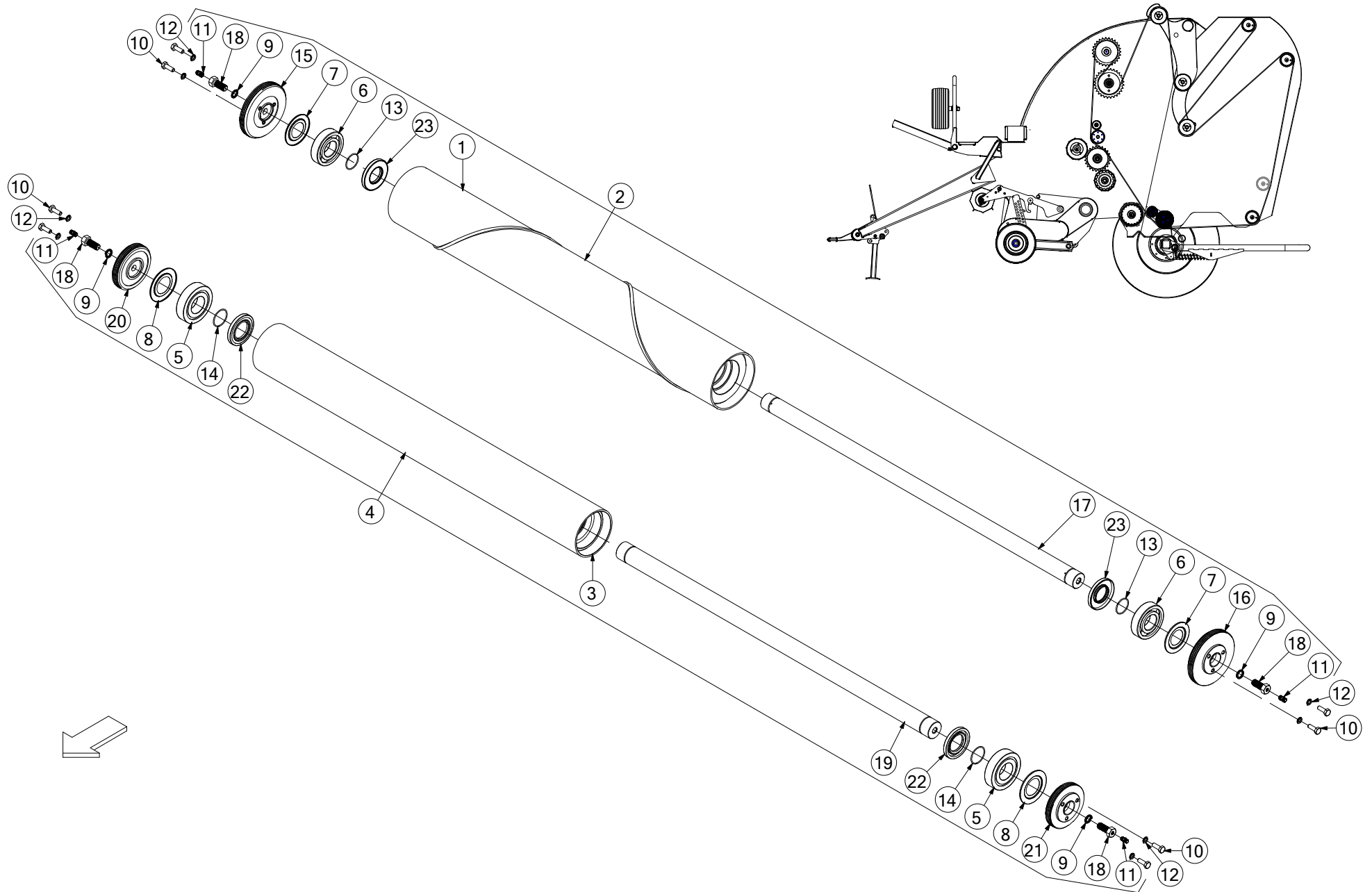
No.	Part No	Description	Qty
1	ARC00338	ROLLER STD SHAFT HD WITH CLEATS	1
	<i>(REPLACES ARC00029)</i>		
2	ARC00344	HD ROLLER C/W ROD IRON V660	1
	<i>(REPLACES ARC00030)</i>		
3	ART00293	BEARING HOUSING 1726210 ASY	1
4	CBR00083	BEARING 1726210-2RS RADIAL	2
5	CFA00028	BOLT M10X65 Z/P	3
6	CFA00251	WASHER SKM10	3
7	CFA00401	NUT M30X2 FINE THREAD	1
8	CFA00520	SETSCREW M10X25 FLANGED ZP	3
9	CFA00549	GREASE FITTING 6MM X 1/8	2
10	CMH00507	BUSH 39X56X33 TAPERED COLLET	1
11	CMH00510	BUSH 50X68X12.5 STEP	1
12	CMH00696	FLANGE 90X140X25 MACHINED	1
13	CMH00905	BUSH 90X135X46 BEARING HOUSING	1
14	CMH00906	BEARING ROLLER SLEEVE 50 IDX21	1
	<i>REPLACES CMH01363 (50 ID X 18)</i>		
15	CMH01187	FLANGE 90X145X25 3 HOLE	1
16	CPL00052	NYLON SEAL ROLLER DRIVE SIDE	1
	<i>CPL00052 & CPL00053 SHOULD BE REPLACED AS A PAIR</i>		
17	CPL00053	NYLON SEAL ROLLER NON DRIVE SIDE	1
	<i>CPL00052 & CPL00053 SHOULD BE REPLACED AS A PAIR</i>		
18	CSE00099	SEAL OIL 58X80X8	1
19	ART00081	1 1/4 PITCH 17 T SPROCKET	1

Slatted roller (641)



No.	Part No	Description	Qty
1	ARC00334	KIT NO 1 ROLLER ROD V6 SPARE PARTS <i>UP TO SERIAL NO 800199. THIS KIT INCLUDES ITEMS 18, 19 & 20.</i>	1
1	ARC00279	STARTER ROLLER ASM V6 FULL RND <i>STANDARD ON V6 FROM SERIAL NO 800200 (& USED ON FUSION VARIO UP TO SERIAL No 900839)</i>	1
1	ARC00402	HALF ROUND ROD STARTER ROLLER ASSY V6 <i>STANDARD ON FUSION VARIO FROM SERIAL No 900840 (& OPTIONAL ON V SERIES FOR STONEY CROPS)</i>	1
2	ARC00302	STARTER ROLLER COMP ASSY V6 <i>STANDARD ON V6 FROM SERIAL NO 800200 (& USED ON FUSION VARIO UP TO SERIAL No 900839)</i>	1
2	ARC00528	HALF ROUND STARTER COMPLETE ASSY V SERIES <i>STANDARD ON FUSION VARIO FROM SERIAL No 900840 (& OPTIONAL ON V SERIES FOR STONEY CROPS)</i>	1
3	ART00051	BEARING ROLLER COMP ASSY	1
4	CBR00060	BEARING SPHERICAL SKF 2210CC	1
5	CBR00061	NILOS-RING 6210AV	1
6	CBR00083	BEARING 1726210-2RS RADIAL	1
7	CFA00028	BOLT M10X65 Z/P	3
8	CFA00032	SETSCREW M12X30 Z/P	1
9	CFA00250	WASHER SKM12	1
10	CFA00251	WASHER SKM10	3
11	CFA00452	CIRCLIP 95MM INTERNAL	1
12	CFA00520	SETSCREW M10X25 FLD ZP	3
13	CFA00549	GREASE FITTING 6MM X 1/8"	2
14	CFA00559	GRUBSCREW M10X12	1
15	CMH00511	BUSH 90X135X46 BEARING HOUSING	1
16	CMH00696	FLANGE 90X140X25 MACHINED	1
17	CMH00697	FLANGE 90X145X25 6 HOLE	1
18	CMH00708	SPROCKET 1 1/4" PITCH 20T <i>UP TO SERIAL NO 800199</i>	1
18	CMH01324	SPROCKET 1 1/4" PITCH 20T <i>FROM SERIAL NO 800200</i>	1
19	CPL00052	NYLON SEAL ROLLER DRIVE SIDE <i>UP TO SERIAL NO 800199</i>	1
19	CPL00108	NYLON SEAL ROLLER DRIVE SIDE LARGE <i>FROM SERIAL NO 800200</i>	1
20	CPL00053	NYLON SEAL ROLLER NON DRIVE SIDE <i>UP TO SERIAL NO 800199</i>	1
20	CPL00107	NYLON SEAL ROLLER NON DRIVE SIDE LARGE <i>FROM SERIAL NO 800200</i>	1
21	CSE00099	SEAL OIL 58X80X8	1
22	CZC02063	3MM L BEARING RETAINER RING	1
23	CZE00115	BALE SPLITTER WASHER	1

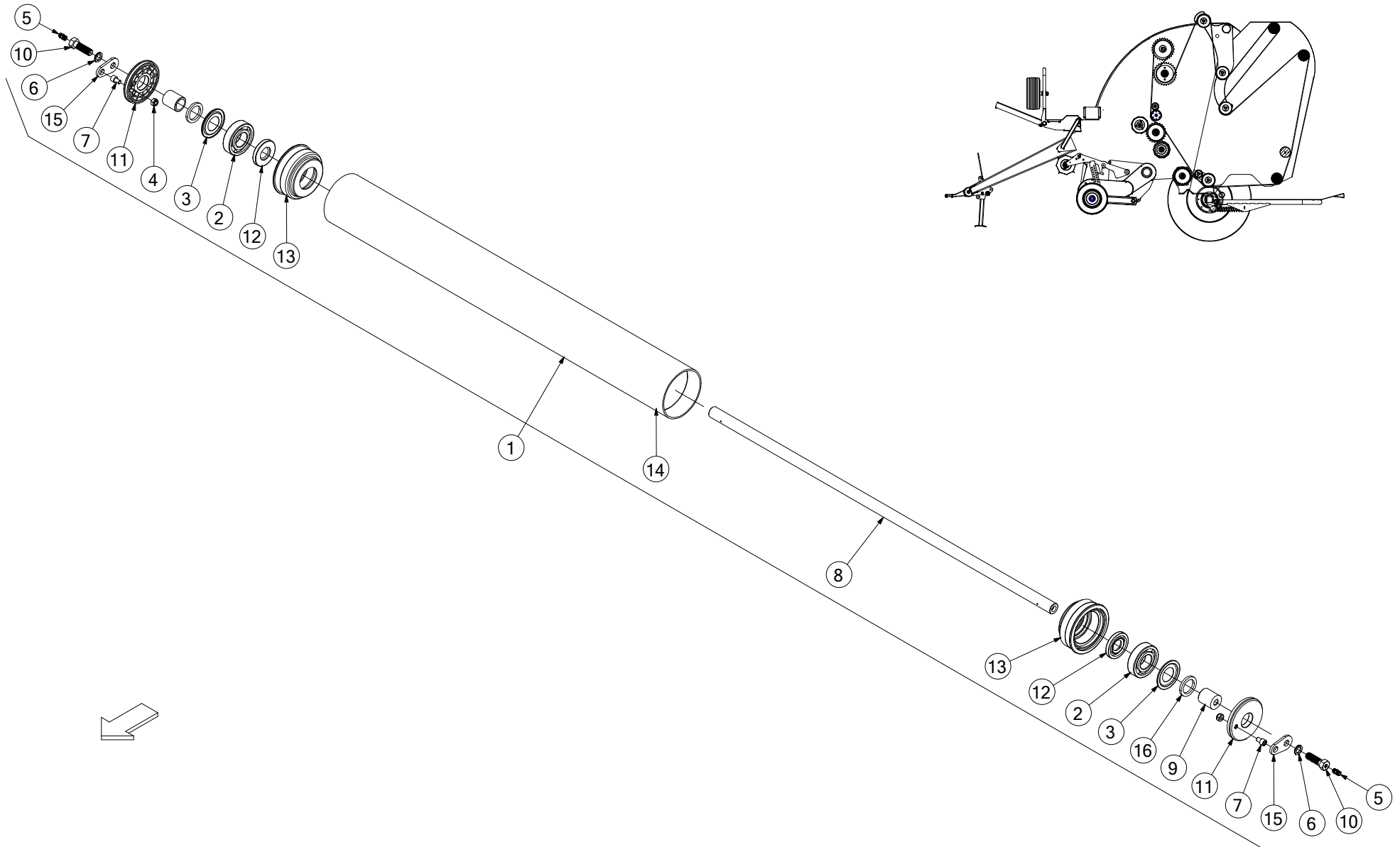
Lower rear door rollers (1026)



No.	Part No	Description	Qty
1	ARC00199	ROLLER WELD ASSY BELT BALER	1
2	ARC00200	ROLLER COMP ASSY BELT BALER	1
<i>EXCLUDES ITEMS 10 & 12 (ALSO ORDER 2x CFA00590 FOR V6/VARIO MACHINES PRIOR TO SERIAL No 803401/900340)</i>			
3	ARC00447	VAR LOWER REAR DOOR SMALL ROLLER	1
<i>USED ON V6 UP TO SERIAL No 807999 & ON FUSION VARIO UP TO SERIAL No 900763</i>			
3	ARC00478	LOWER DOOR ROLLER VARIABLE CHAMBER	1
<i>USED ON V6 FROM SERIAL No 808000 & ON FUSION VARIO FROM SERIAL No 900764</i>			
4	ACH02032	ROLLER ASSY VAR BALER	1
<i>USED ON V6/VARIO UP TO SERIAL No 807999/900763 (ALSO ORDER 2x CFA00590) EXCLUDES ITEMS 10 & 12</i>			
4	ARC00479	LOWER DOOR ROLLER VARI COMP ASSY	1
<i>USED ON V6/VARIO FROM SERIAL No 808000/900764 (ALSO ORDER 2x CFA00590) EXCLUDES ITEMS 10 & 12</i>			
5	CBR00253	BEARING 6309 2RS	2
<i>USED ON V6 UP TO SERIAL No 807999 & ON FUSION VARIO UP TO SERIAL No 900763</i>			
5	CBR00113	BEARING 6310-2RS1 SKF EXPLORER	2
<i>USED ON V6 FROM SERIAL No 808000 & ON FUSION VARIO FROM SERIAL No 900764</i>			
6	CBR00253	BEARING 6309 2RS	2
7	CBR00281	NILOS RING 6309 AV	2
8	CBR00281	NILOS RING 6309 AV	2
<i>USED ON V6 UP TO SERIAL No 807999 & ON FUSION VARIO UP TO SERIAL No 900763</i>			
8	CBR00365	NILOS-RING 6310AV	2
<i>USED ON V6 FROM SERIAL No 808000 & ON FUSION VARIO FROM SERIAL No 900764</i>			
9	CFA00142	WASHER SPRING 16MM Z/P	4
10	CFA00230	SETSCREW M10X30 Z/P GRADE 12.9	12
11	CFA00590	GREASE NIPPLE 1/8 BSP ST	4
<i>ORDER WITH ARC00200 OR ARC00479 FOR NON GREASING V6/VARIO MACHINES PRIOR TO SERIAL No 803401/900340</i>			
11	CFA00549	GREASE FITTING 6MM X 1/8" M/M	4
<i>USED FROM SERIAL No 803401/900340 (V6/VARIO - GREASING)</i>			
12	CFA00798	WASHER M10 NORDLOC	12
13	CFA02399	SNAP RING 45MM DIN7993	2
<i>USED ON V6 FROM SERIAL No 808266 & ON FUSION VARIO FROM SERIAL No 900789</i>			
14	CFA02400	SNAP RING 50MM DIN7993	2
<i>USED ON V6 FROM SERIAL No 808266 & ON FUSION VARIO FROM SERIAL No 900789</i>			
15	CMH02014	SEALING DISC V BALER	1
16	CMH02015	SEALING DISC V BALER	1
17	CMH02029	SHAFT VAR BALER	1
18	CFA00229	SETSCREW M16X35 Z/P	4
<i>USED UP TO SERIAL No 803400/900339 (V6/VARIO - NON GREASING)</i>			
18	CMH02754	BOLT M16 X 40 GREASING BOLT	4
<i>USED FROM SERIAL No 803401/900340 (V6/VARIO - GREASING)</i>			
19	CMH02029	SHAFT VAR BALER	1
<i>USED ON V6 UP TO SERIAL No 807999 & ON FUSION VARIO UP TO SERIAL No 900763</i>			
19	CMH02929	SHAFT 50X1182 VAR BALER	1
<i>USED ON V6 FROM SERIAL No 808000 & ON FUSION VARIO FROM SERIAL No 900764</i>			
20	CMH02008	SEALING DISC V BALER	1
<i>USED ON V6 UP TO SERIAL No 807999 & ON FUSION VARIO UP TO SERIAL No 900763</i>			
20	CMH02930	ROLLER SEALING DISC VAR BALER RIGHT SIDE	1
<i>USED ON V6 FROM SERIAL No 808000 & ON FUSION VARIO FROM SERIAL No 900764</i>			
21	CMH02009	SEALING DISC V BALER	1
<i>USED ON V6 UP TO SERIAL No 807999 & ON FUSION VARIO UP TO SERIAL No 900763</i>			
21	CMH02931	ROLLER SEALING DISC VAR BALER LEFT SIDE	1
<i>USED ON V6 FROM SERIAL No 808000 & ON FUSION VARIO FROM SERIAL No 900764</i>			
22	CSE00642	GREASE SEAL 45X90X10	2
<i>USED ON V6 FROM SERIAL No 803401 UP TO 807999 & ON FUSION VARIO FROM SERIAL No 900340 UP TO 900763</i>			

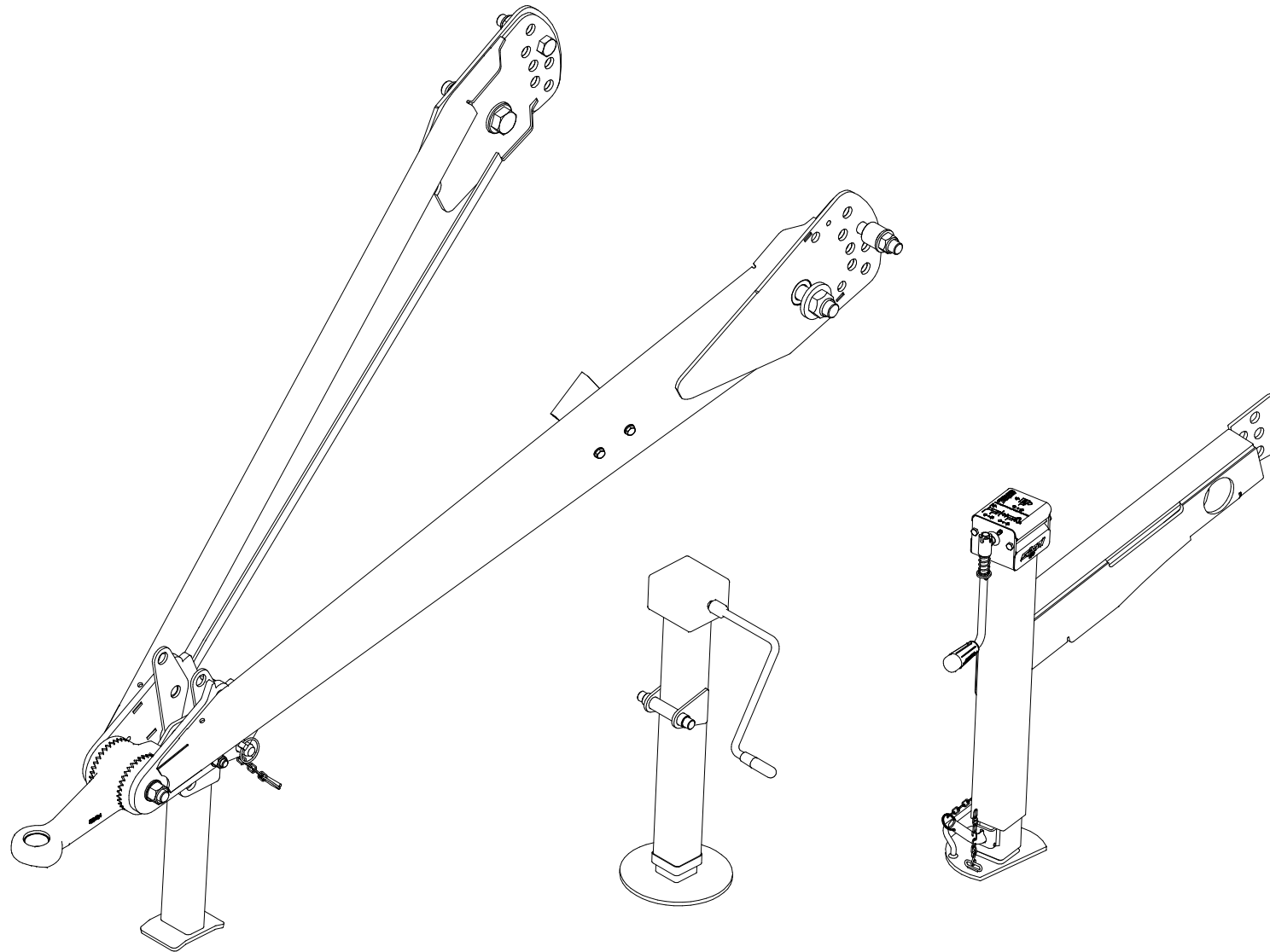
22	CSE00133	RADAIL SEAL 50X90X10	2
<i>USED ON V6 FROM SERIAL No 808000 & ON FUSION VARIO FROM SERIAL No 900764</i>			
23	CSE00642	GREASE SEAL 45X90X10	2
<i>USED FROM SERIAL No 803401/900340 (V6/VARIO - GREASING)</i>			

Rear door rollers (859)



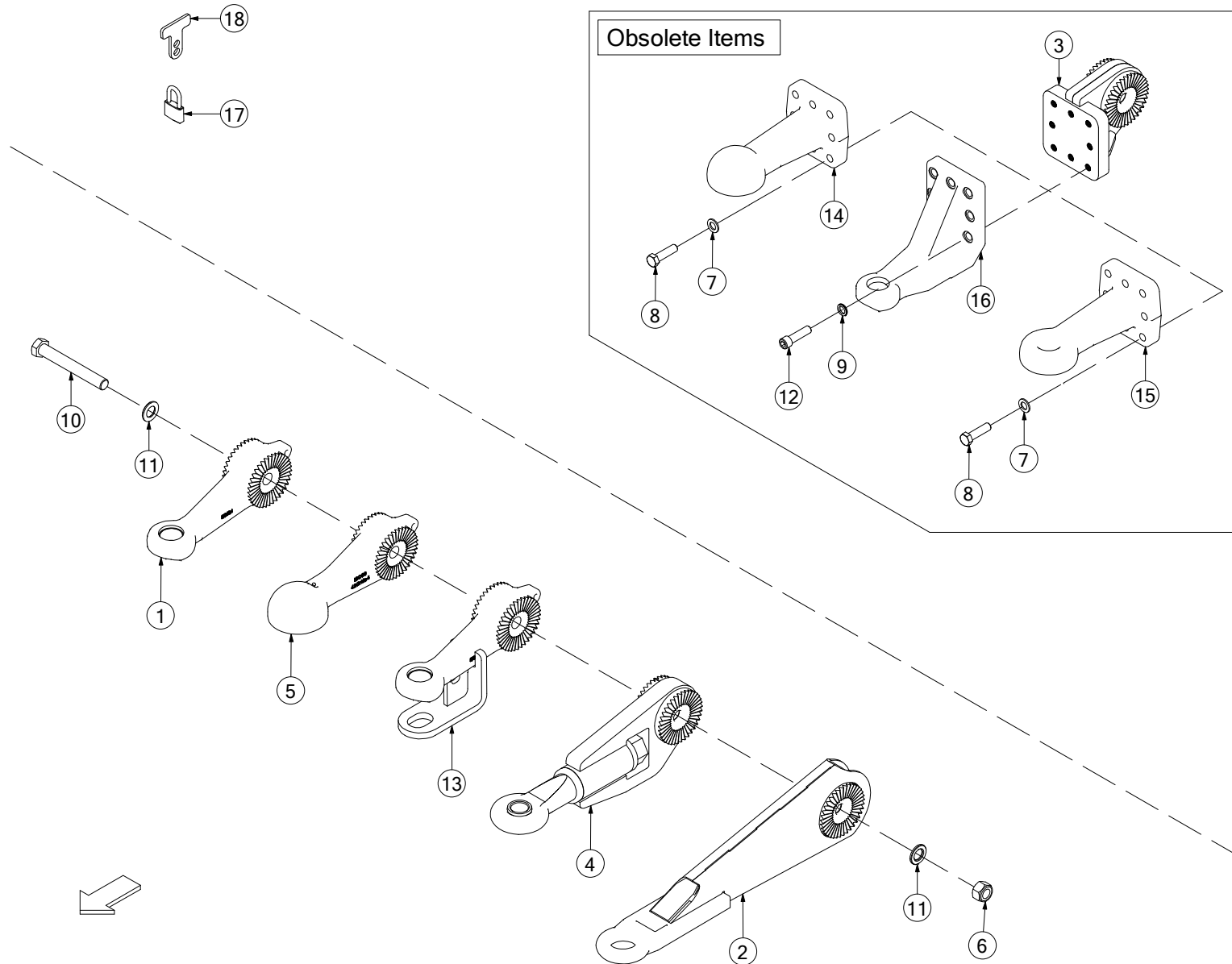
No.	Part No	Description	Qty
1	ART00339	ROLLER BELT BALER	1
<i>EXCLUDES ITEMS 6 & 15 (ALSO ORDER 2x CFA00590 FOR V6/VARIO MACHINES PRIOR TO SERIAL No 803401/900340)</i>			
2	CBR00286	6308 2RS BEARING	2
3	CBR00332	NILOS RING 6308 AV	2
<i>USED FROM SERIAL No 803401/900340 (V6/VARIO - GREASING)</i>			
4	CFA00123	NUT M10 NYLOC	2
5	CFA00590	GREASE NIPPLE 1/8 BSP ST	2
<i>ORDER WITH ART00339 FOR NON GREASING V6/VARIO MACHINES PRIOR TO SERIAL No 803401/900340</i>			
5	CFA00549	GREASE FITTING 6MM X 1/8" M/M	2
<i>USED FROM SERIAL No 803401/900340 (V6/VARIO - GREASING)</i>			
6	CFA00783	WASHER NL16 NORD-LOCK	2
7	CFA00951	SETSCREW M10X16 SOC CAP Z/P	2
8	CMH01264	SHAFT 30X1234	1
9	CMH03110	IDLE ROLLER INSERT 44.5X46.5 STEPPED	2
<i>REPLACES CMH02519</i>			
10	CFA02290	BOLT M16 X 60 Z/P DIN 931 GRADE 12.9	2
<i>USED UP TO SERIAL No 803400/900339 (V6/VARIO - NON GREASING)</i>			
10	CMH02753	BOLT M16 X 55 GREASING BOLT	2
<i>USED FROM SERIAL No 803401/900340 (V6/VARIO - GREASING)</i>			
11	CPL00120	V6 ROLLER END CAP	2
12	CSE00644	GREASE SEAL 30X72X10	2
<i>USED FROM SERIAL No 803401/900340 (V6/VARIO - GREASING)</i>			
13	CTP00115	BEARING HOUSING ROLLER END	2
14	CXT00550	TUBE 139.7X5.0X1224 S355J2H	1
15	CZF06296	6MM L WASHER 17X40 V6	2
16	CZC04620	WASHER 40X55X3 V6 IDLE ROLLER	2
<i>USED UP TO SERIAL No 803400/900339 (V6/VARIO - NON GREASING)</i>			
16	CZF07718	6MM L WASHER V6 IDLE ROLLER	2
<i>USED FROM SERIAL No 803401/900340 (V6/VARIO - GREASING)</i>			

Drawbar / Stand / Hitch



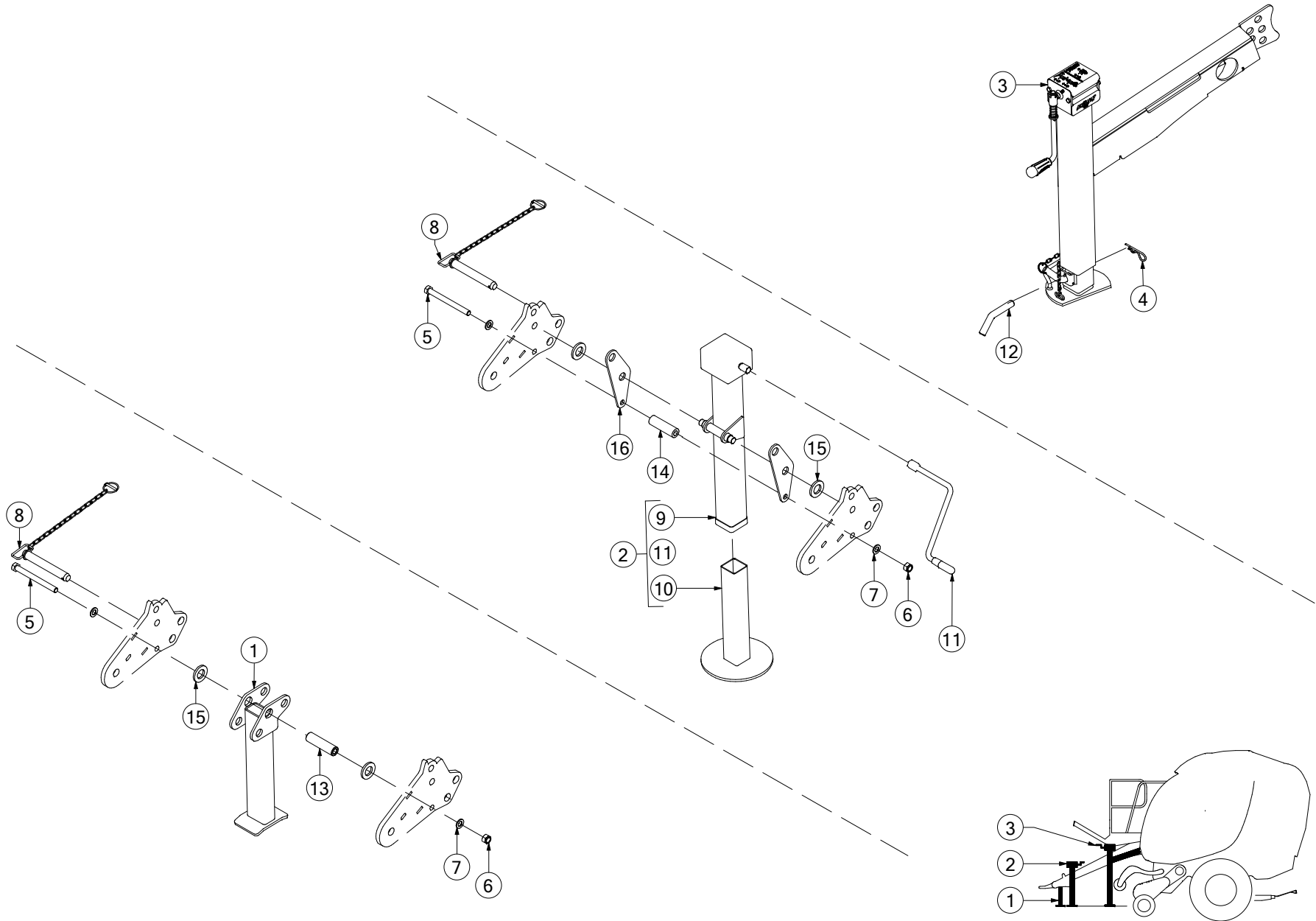
No.	Part No	Description	Qty
1	SPD01385	DRAWBAR / STAND / HITCH	1

Hitch & Coupling Head (1338)



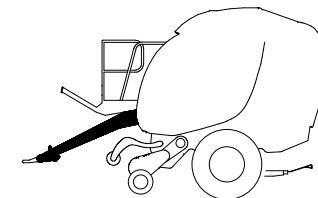
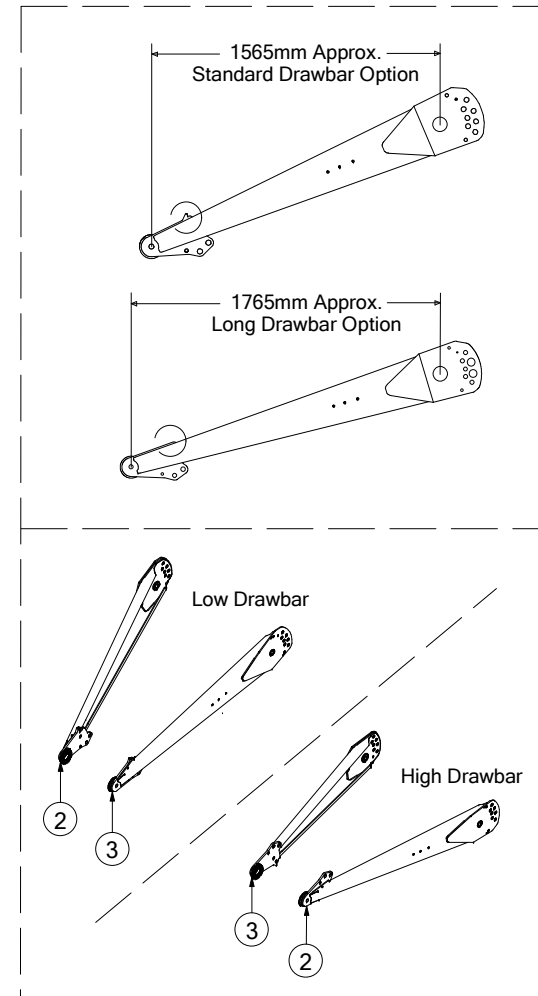
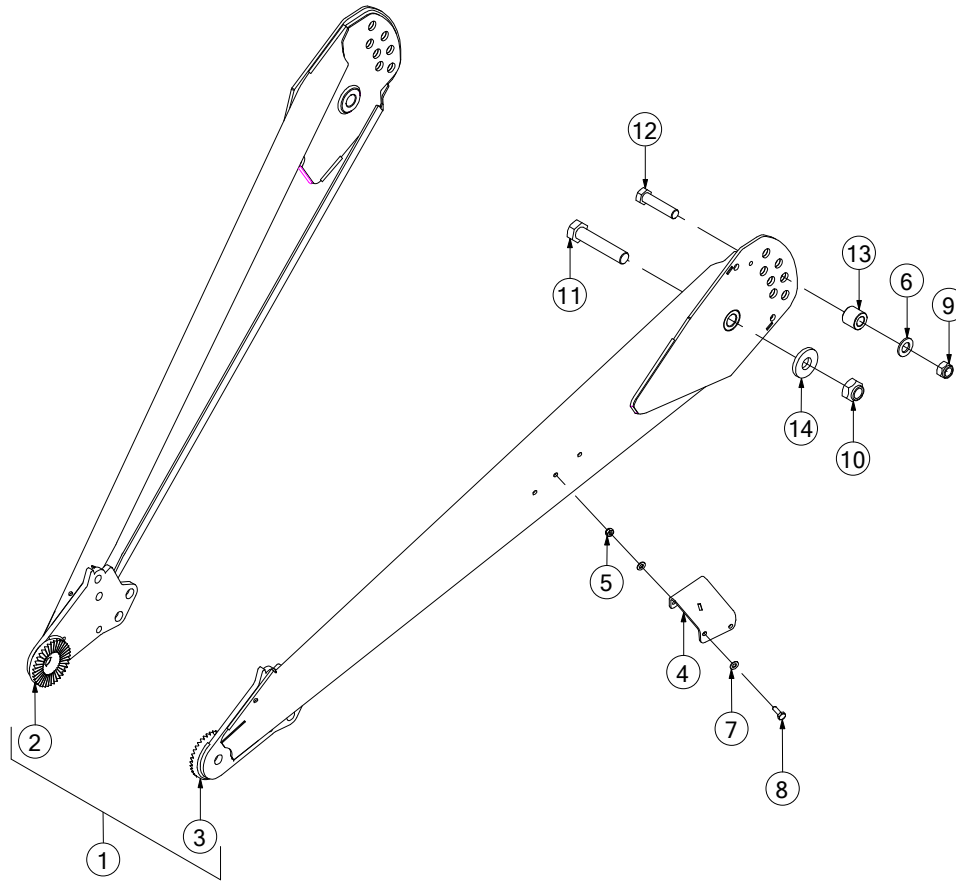
No.	Part No	Description	Qty
1	ADB00150	HITCH COUPLING RING ASSY 40 (F5 / V6)	1
2	ADB00083	HITCH (NORWAY) F550	1
3	N/A	GERMAN COUPLING ADAPTOR FUSION III/F550	1
<i>ORDER ITEM 1</i>			
4	ADB00174	HITCH EYE SWIVEL 50MM FUSION 3	1
5	ADB00198	80MM BALL HITCH COUPLER	1
6	CFA00130	NUT M24 NYLOC	1
7	CFA00140	WASHER FLAT 16MM Z/P	2
8	CFA00409	BOLT M16 X 60 Z/P	2
9	CFA00783	WASHER NL16 NORD-LOCK	1
10	CFA00795	BOLT M24X3X180 STD GRADE 8.8 Z/P	1
11	CFA00796	DIN6916 WASHER M24 PEINER GALV	2
12	CFA02275	BOLT M16X60 SOC CAP Z/P 12.9 GRADE	1
13	CTP00274	HITCH EYE AMERICIAN BALER	1
14	N/A	COUPLING HEAD 80-3192 8-HOLE	1
<i>ORDER ITEM 5</i>			
15	N/A	HITCH EYE 100X110 DIN11026 40Ø	1
<i>ORDER ITEM 1</i>			
16	N/A	HITCH EYE_00.652.50.1-A02_DIN11026	1
<i>ORDER ITEM 1</i>			
17	CTP00582	PADLOCK 8MM SKACLE	1
18	CZF08801	6MM L LOCK OUT PLATE HITCH EYE	1

Drawbar Stands (1339)



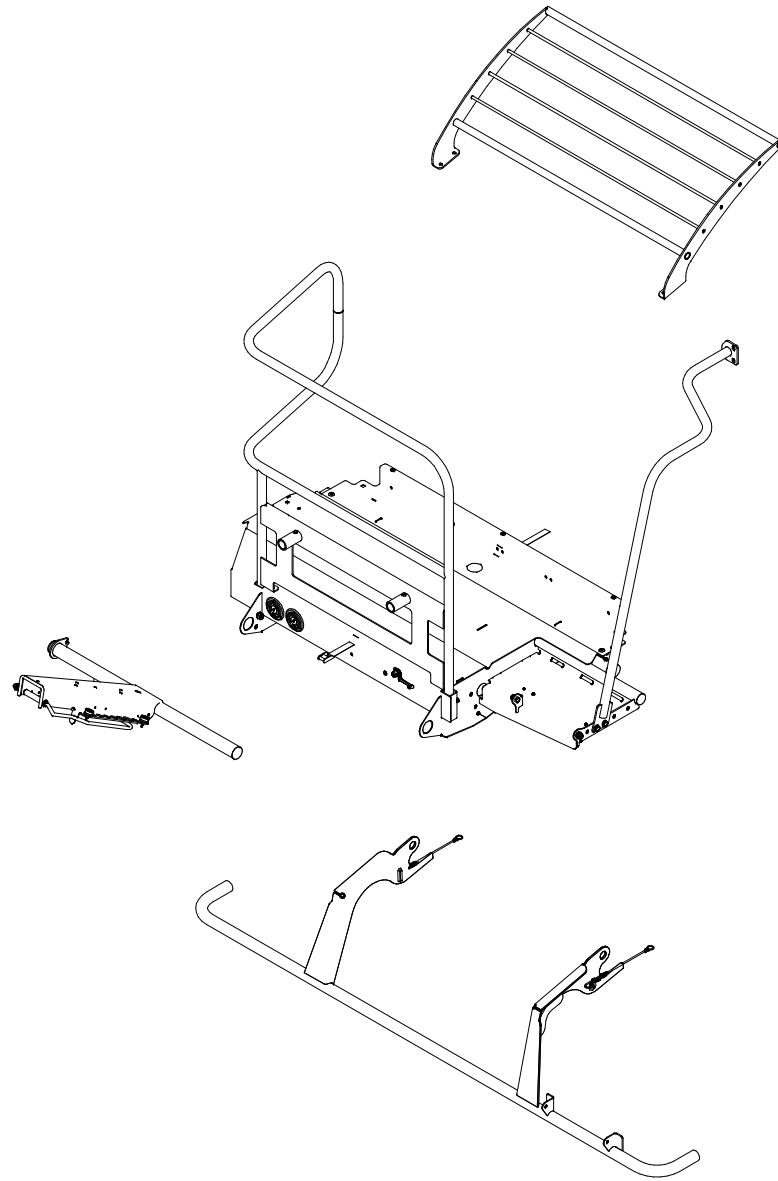
No.	Part No	Description	Qty
1	ADB00068	DRAWBAR STAND F550	1
2	CTP00294	PARKING JACK FUSION	1
3	ADB00220	SIMOL HIGH STAND	1
4	CFA00004	R-CLIP 4MM	1
5	CFA00061	BOLT M16X170 Z/P	2
6	CFA00128	NUT M16 NYLOC	2
7	CFA00140	WASHER FLAT 16MM Z/P	4
8	CTP00265	PIN HITCH 1" BALER DRAWBAR	2
9	CTP00295	PARKING JACK FUSION MK II (TOP)	1
10	CTP00296	PARKING JACK FUSION BOTTOM	1
11	CTP00297	PARKING JACK HANDLE	1
12	CTP10002	PIN PARKING JACK BALER	1
13	CXT00419	C030X7X112	1
14	CXT00502	C030X7X100	1
15	CZF04263	6MM L DRAWBAR WASHER Z/P	4
16	CZF04979	6MM L STAND TRANSPORT BRACKET	2

Drawbar (1341)



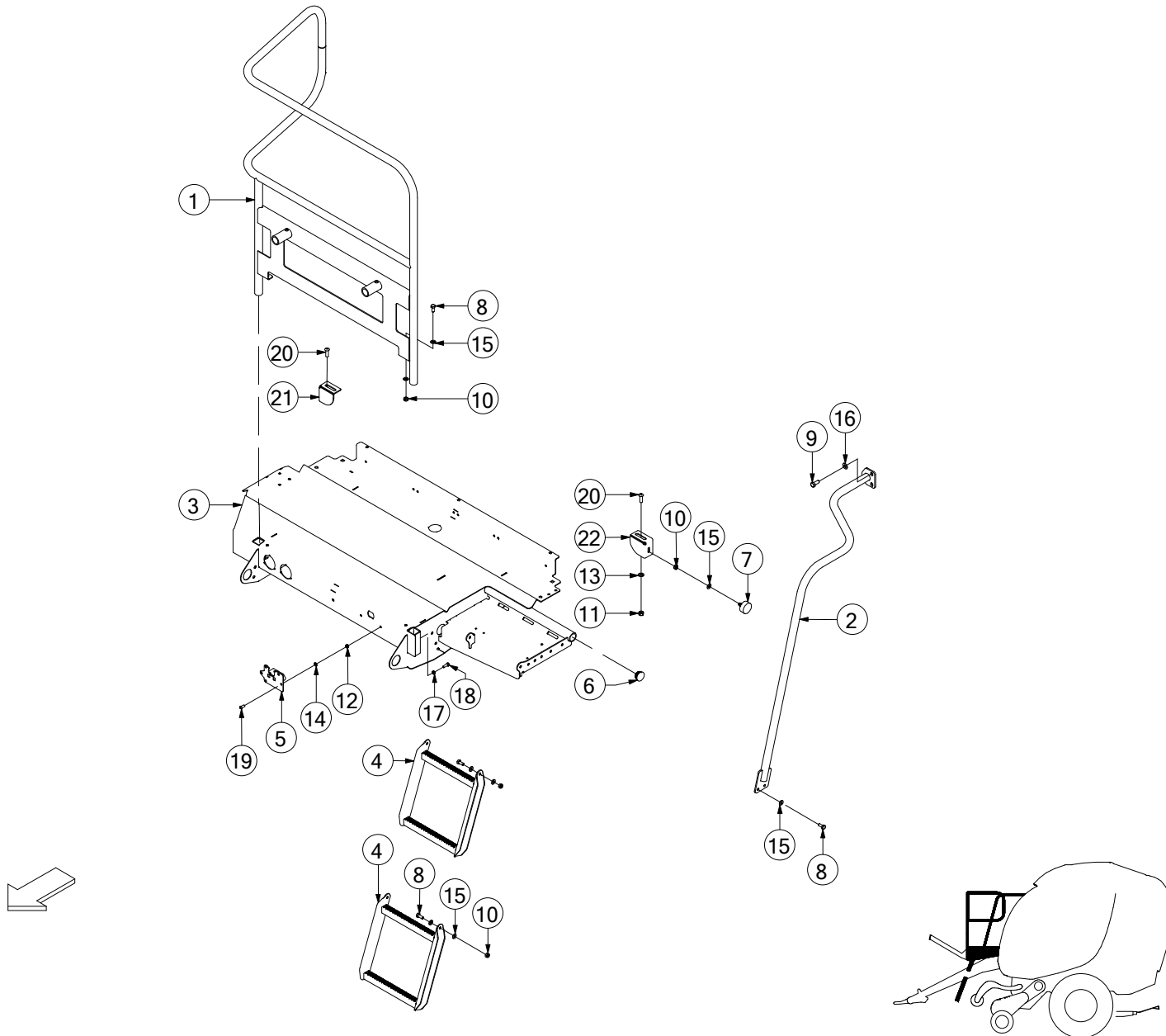
No.	Part No	Description	Qty
1	ADB00213	STANDARD DRAWBAR BEAMS FUSION	1
2	ADB00142	DRAWBAR WELD (RIGHT) FUSION	1
<i>STANDARD DRAWBAR</i>			
2	ADB00205	DRAWBAR WELD (LONG) RIGHT FUSION	1
<i>LONG DRAWBAR</i>			
3	ADB00141	DRAWBAR WELD (LEFT) FUSION	1
<i>STANDARD DRAWBAR</i>			
3	ADB00204	DRAWBAR WELD (LONG) LEFT FUSION	1
<i>LONG DRAWBAR</i>			
4	ADB00120	HANDBRAKE LEVER BRACKET	1
5	CFA00123	NUT M10 NYLOC	1
6	CFA00135	WASHER FLAT 1" Z/P	1
7	CFA00201	WASHER FLAT 10 MM Z/P	1
8	CFA00230	SETSCREW M10X30 Z/P GRADE 12.9	1
9	CFA00419	NUT M24X2 NYLOC FINE THREAD	1
10	CFA00420	NUT M30X2 NYLOC FINE THREAD	1
11	CFA00522	BOLT M30X150 METRIC FINE THREAD	1
12	CFA02215	BOLT M24X100X1.5 FT DIN 10.9 ZP	1
13	CMH01005	BUSH 44.45X20X40	1
<i>STANDARD DRAWBAR</i>			
13	CMH01950	BUSH 25X60 STEPPED 45	1
<i>LONG DRAWBAR</i>			
14	CZH04335	10MM L WASHER 30x75x10 Z/P	1

Standing Platform / Guard Rail / Hose Carrier



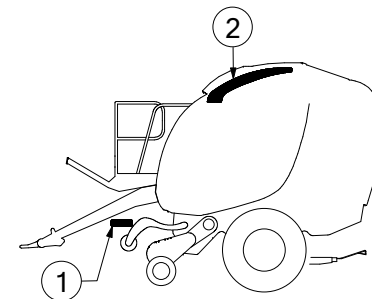
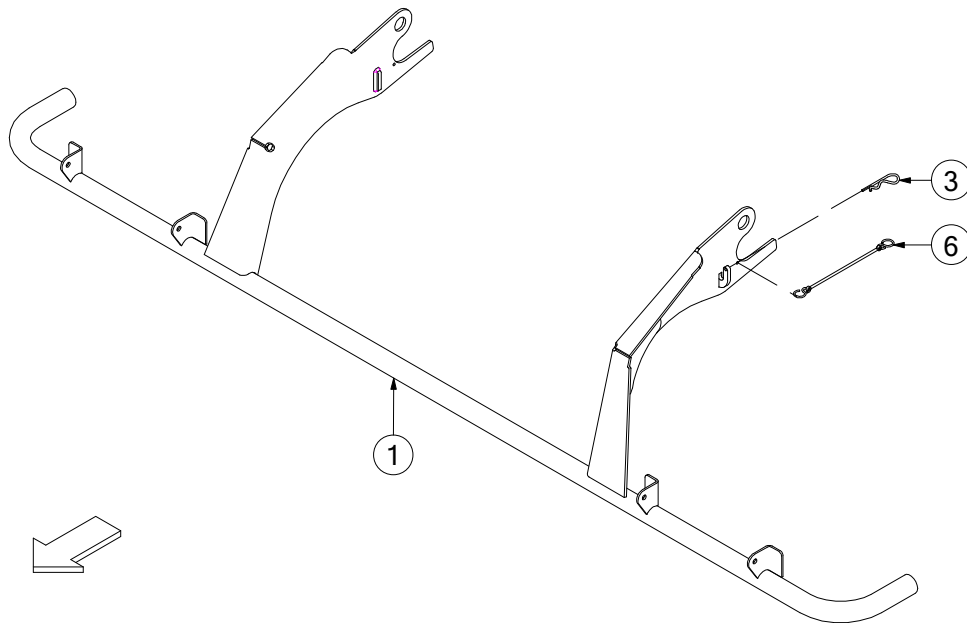
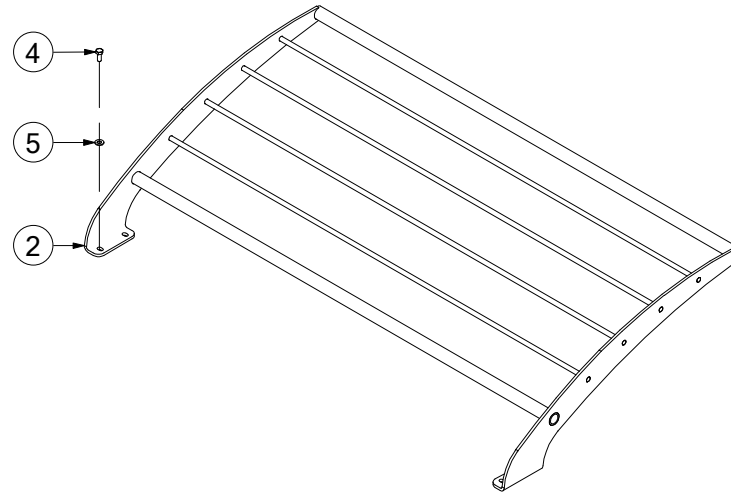
No.	Part No	Description	Qty
1	SPD01386	STANDING PLATFORM / GUARD RAIL / HOSE CARRIER	

Standing Platform & Handrail (1342)



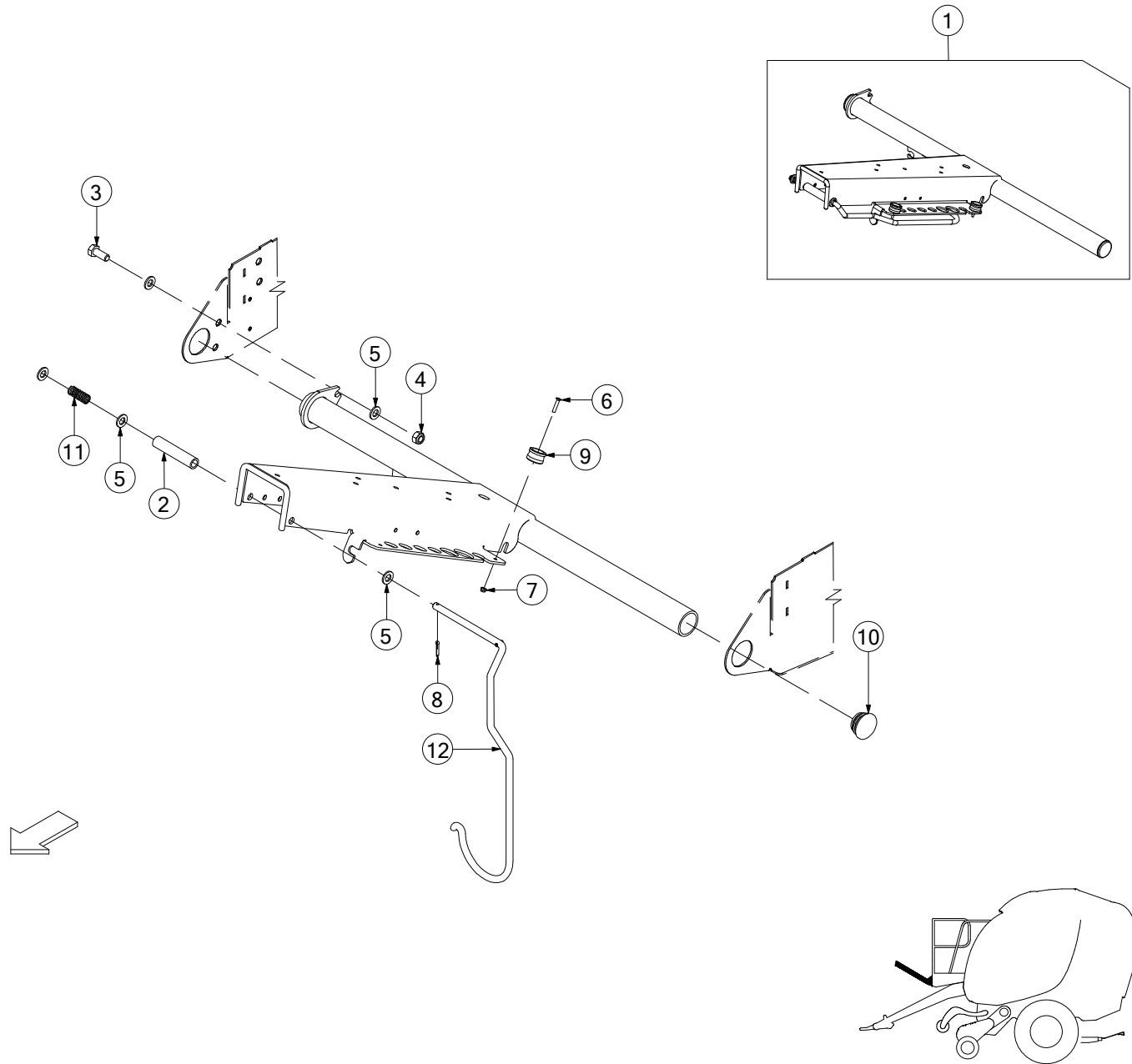
No.	Part No	Description	Qty
1	AGD00052	HANDRAIL V6 & VARIO	1
2	AGD00126	HAND RAIL V6 1.8M	1
3	ACH02944	PLATFORM WELD ASSY V6 & VARIO	1
4	ART00349	LOWER STEP ASSEMBLY F5	2
5	ACH01356	DOOR LOCK TAP BRACKET VARIO	1
6	CBC00005	CAP PLASTC INSERT ROUND 42.4MM	1
7	CBE00167	BUFFER RUBBER 50X21 M10X28 90SHORE	1
8	CFA00024	SETSCREW M10X25 Z/P	4
9	CFA00032	SETSCREW M12X30 Z/P	1
10	CFA00123	NUT M10 NYLOC	5
11	CFA00124	NUT M12 NYLOC	1
12	CFA00132	NUT M8 NYLOC Z/P	1
13	CFA00138	WASHER FLAT 12MM Z/P	1
14	CFA00147	WASHER FLAT 8MM Z/P	1
15	CFA00201	WASHER FLAT 10 MM Z/P	10
16	CFA00250	WASHER SKM12	1
17	CFA00338	NUT M8	2
18	CFA00407	BOLT M8X25 Z/P	2
19	CFA00429	SETSCREW M8X20 BUTTON HEAD Z/P	1
20	CFA02368	SETSCREW M12X35 BUTTON HEAD 10.9 Z/P	2
21	CZD04600	DOOR BUFFER BRACKET LEFT V6	1
22	CZD04601	DOOR BUFFER BRACKET RIGHT V6	1

Guardrails (1343)



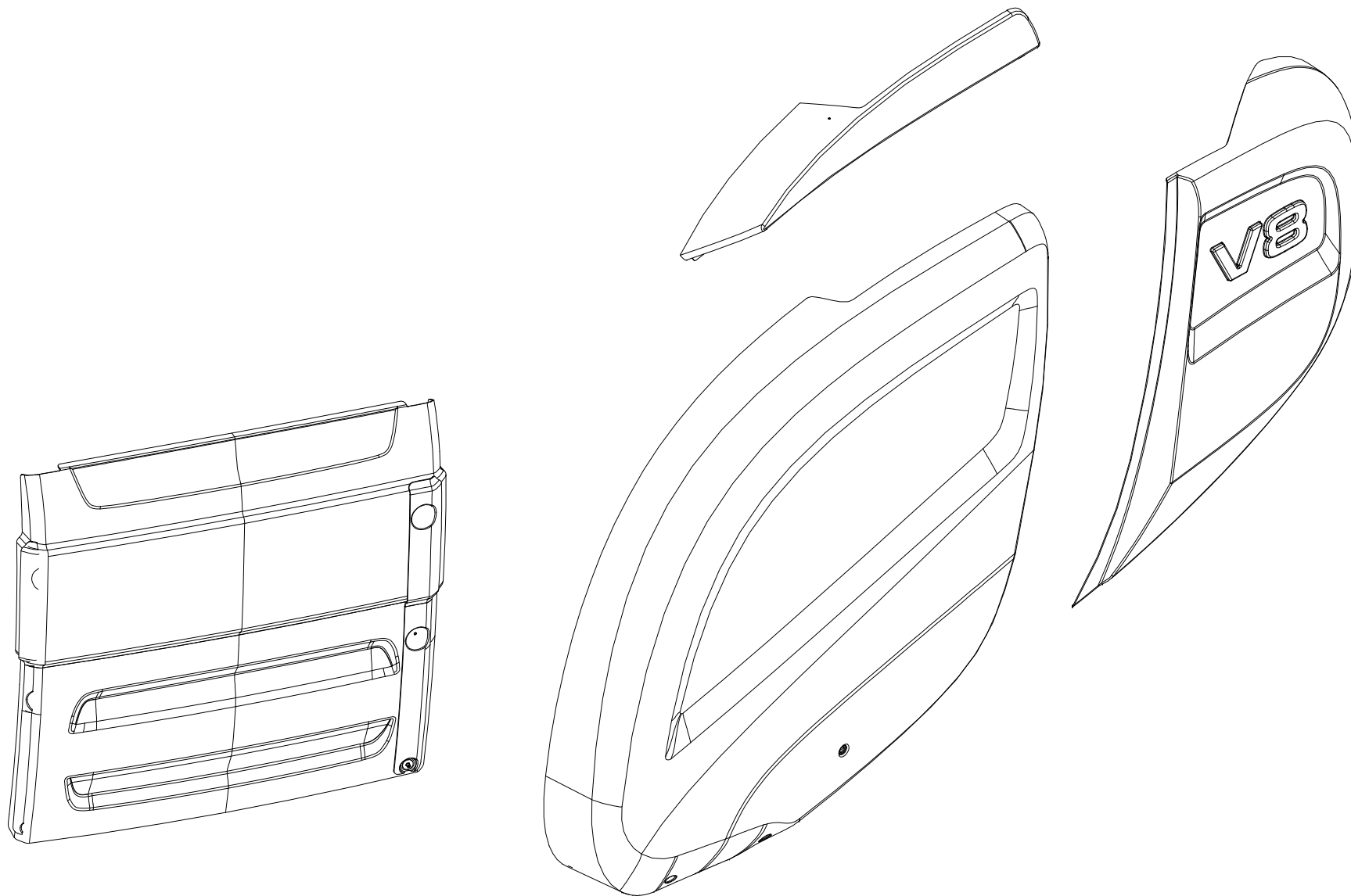
No.	Part No	Description	Qty
1	CGD00261	GUARD FRONT F550 (2012 MODEL)	1
2	ACH03121	V6 TOP SAFETY GUARD 1.8M	1
3	CFA00004	R-CLIP 4MM	1
4	CFA00052	SETSCREW M8X20 Z/P	1
5	CFA00249	WASHER SKM8	1
6	CFA00476	RUBBER STRAP 240 MM	1

Hose & PTO Shaft Carrier (1344)



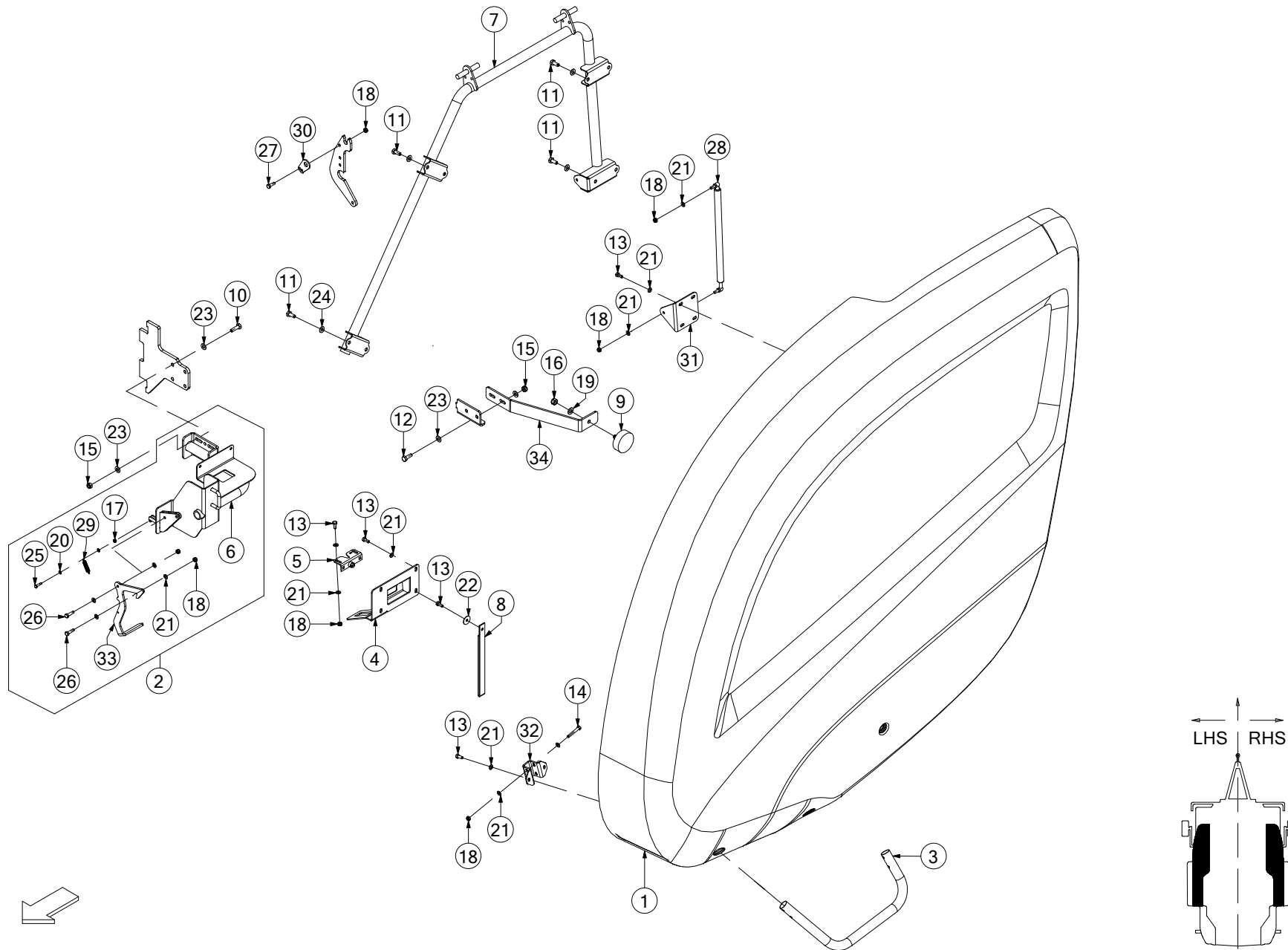
No.	Part No	Description	Qty
1	ACN00198	HOSE TRAY COMP ASSM	1
2	CBC00168	12MM ID NYLON TUBING	1
<i>UP TO SERIAL No 805788</i>			
2	CBC00177	14MM ID NYLON TUBING	1
<i>FROM SERIAL No 805789</i>			
3	CFA00032	SETSCREW M12X30 Z/P	1
4	CFA00124	NUT M12 NYLOC	1
5	CFA00138	WASHER FLAT 12MM Z/P	5
6	CFA00261	SETSCREW M5X25 CSK HEX SS	1
7	CFA00321	NUT M5 NYLOC	1
8	CFA02301	4 X 25 SPLIT PIN Z/P	1
9	CMH02599	HYD COUPLING PARKING 3/4 FEM/BRAKE	1
10	CPL00086	BLANKING CAP 40MM ID	1
11	CSG00286	SPRING COMP 1.8X14X40X8	1
<i>UP TO SERIAL No 805788</i>			
11	CSG00316	SPRING COMP 2X16.2X40	1
<i>FROM SERIAL No 805789</i>			
12	CXR00218	ROD 10 x 785 FORMED	1
<i>UP TO SERIAL No 805788</i>			
12	CXR00303	ROD 12 X 785 FORMED	1
<i>FROM SERIAL No 805789</i>			

Panels / Covers



No.	Part No	Description	Qty
1	SPD01387	PANELS / COVERS	

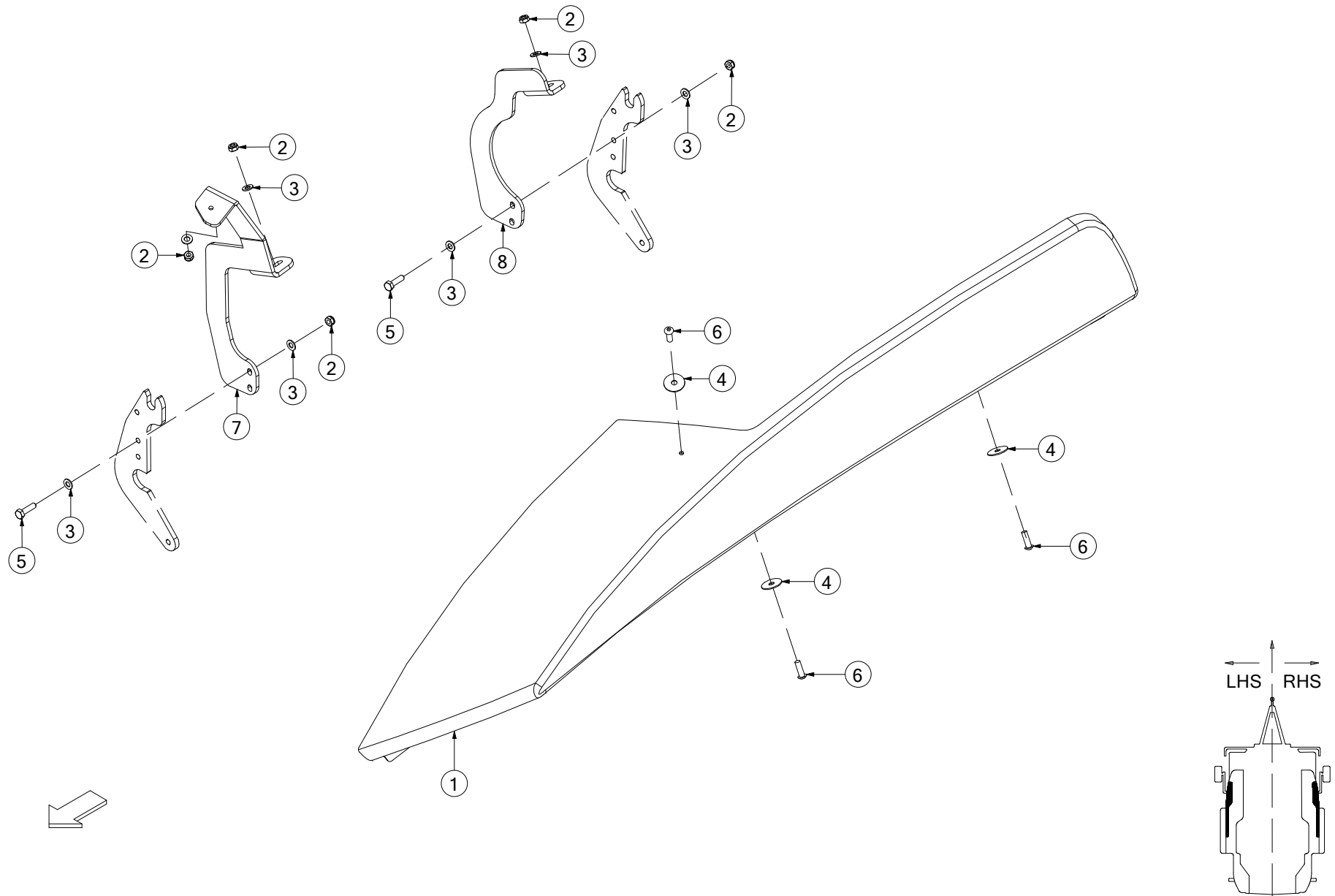
Front Panels LHS/RHS (1345)



No.	Part No	Description	Qty
1	CGD00497	V6 LEFT DOOR PANEL	1
LHS			
1	CGD00498	V6 RIGHT DOOR PANEL	1
RHS			
2	CGD00484	DOOR LOCK BRACKET V6 COMP ASSY LHS	1
LHS			
2	CGD00486	DOOR LOCK BRACKET V6 COMP ASSY RHS	1
RHS			
3	CXT01085	TUBE STAINLESS 31.8X1.2X742MM	1
4	CGD00487	V6 DOOR LOCK BRACKET LHS	1
LHS			
4	CGD00488	V6 DOOR LOCK BRACKET RHS	1
RHS			
5	CFA00518	CAMLOC BALER DOOR	1
6	CGD00483	DOOR LOCK BRACKET V6 LHS	1
LHS			
6	CGD00485	DOOR LOCK BRACKET V6 RHS	1
RHS			
7	ALA01099	V6 LEFT DOOR HINGE BRACKET	1
LHS			
7	ALA01100	V6 RIGHT DOOR HINGE BRACKET	1
RHS			
8	CBE00247	STRAP FUSION PANEL	1
9	CBE00275	BUFFER RUBBER 75X25 M12X30	1
10	CFA00016	BOLT M10X35	1
11	CFA00024	SETSCREW M10X25 Z/P	4
12	CFA00025	SETSCREW M10X30	1
13	CFA00052	SETSCREW M8X20 Z/P	5
14	CFA00108	BOLT M8X55 Z/P	1
15	CFA00123	NUT M10 NYLOC	2
16	CFA00124	NUT M12 NYLOC	1
17	CFA00131	NUT M6 NYLOC	1
18	CFA00132	NUT M8 NYLOC Z/P	7
19	CFA00138	WASHER FLAT 12MM Z/P	1
20	CFA00144	WASHER FLAT 6MM Z/P	2
21	CFA00147	WASHER FLAT 8MM Z/P	13
22	CFA00149	WASHER MUDWING M8 31.75OD	1
23	CFA00201	WASHER FLAT 10 MM Z/P	4
24	CFA00251	WASHER SKM10	5
25	CFA00267	SETSCREW M6X25 Z/P	1
26	CFA00316	BOLT M8X30 Z/P	2
27	CFA00407	BOLT M8X25 Z/P	1
28	CRA00655	GAS STRUT 1150N	1
29	CSG00263	SPRING EXTENSION 1.63X11.5X57	1
30	CZD04814	4MM L HINGE LOCK PLATE FUSION 3 CT	1
31	CZD05298	4MM L GAS STRUT MOUNT PLATE	1
32	CZD05301	4MM L DOOR HANDLE PART V6	1
33	CZF09135	6MM PANEL LATCH HANDLE V6 LHS	1
LHS			
33	CZF09143	6MM PANEL LATCH HANDLE V6 RHS	1
RHS			

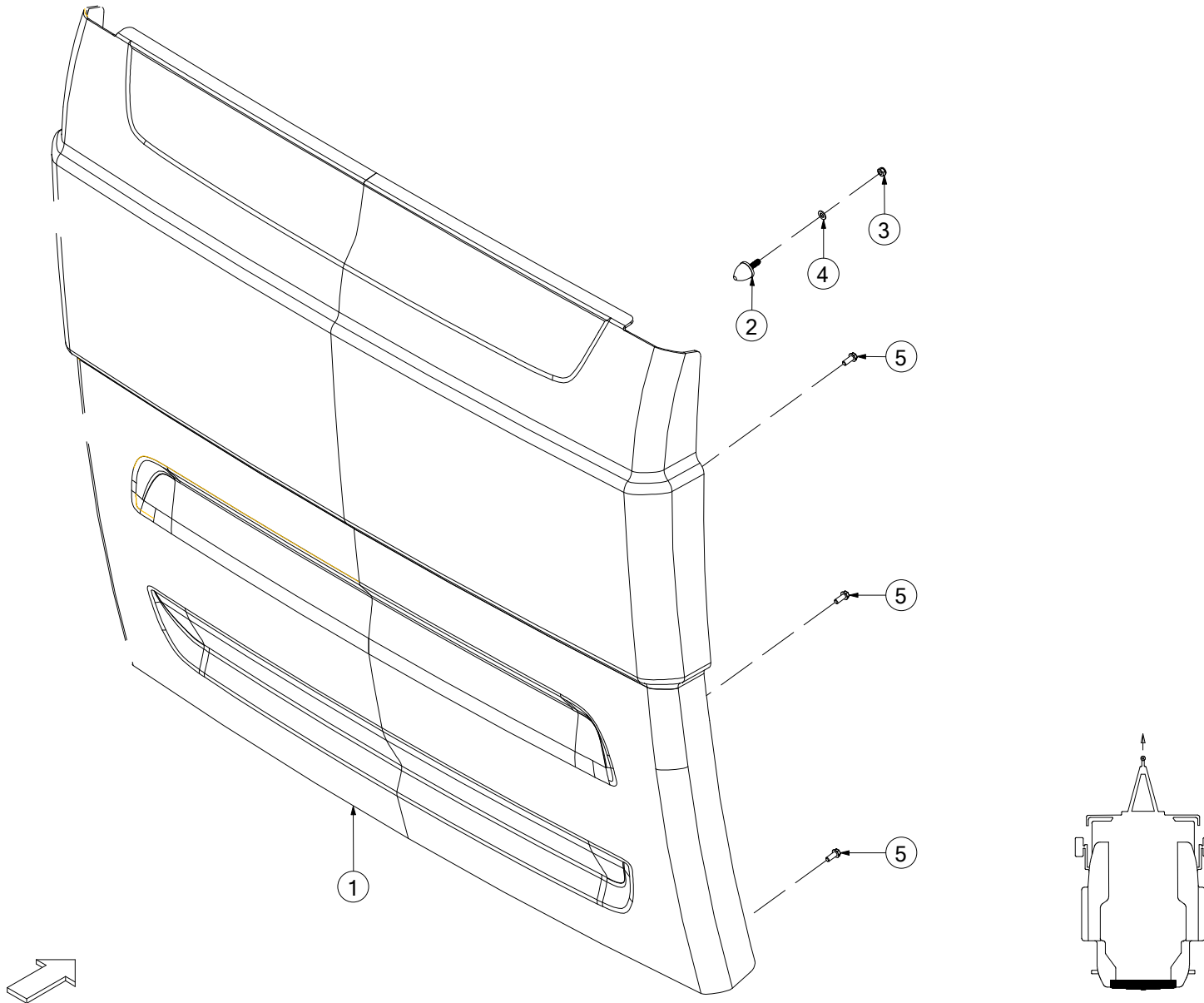
34	CZF09137	6MM L V6 DOOR BUFFER BRACKET PART	1
----	----------	-----------------------------------	---

Top Panels (1346)



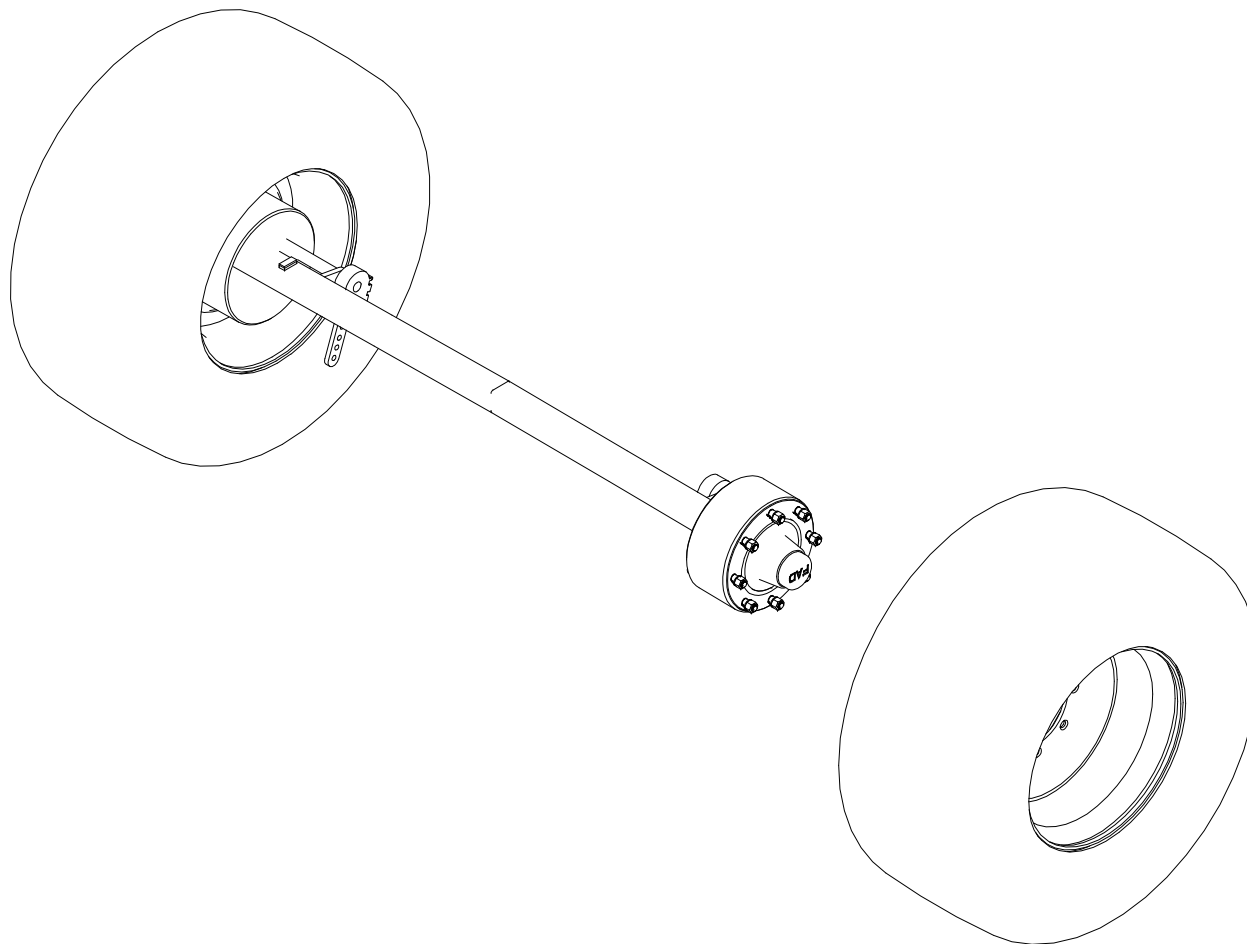
No.	Part No	Description	Qty
1	CGD00527	V89 TOP PANEL PART LHS	1
LHS			
1	CGD00532	V89 TOP PANEL PART RHS	1
RHS			
2	CFA00132	NUT M8 NYLOC Z/P	5
3	CFA00147	WASHER FLAT 8MM Z/P	7
4	CFA00149	WASHER MUDWING M8 31.75OD	3
5	CFA00316	BOLT M8X30 Z/P	2
6	CFA00744	SETSCREW M8X25 BUTTO	3
7	CZF09254	6MM L TOP PANEL BRACKET	1
LHS			
7	CZF09281	6MM L TOP PANEL BRACKET FRONT RHS	1
RHS			
8	CZF09255	6MM L TOP PANEL BRACKET	1
LHS			
8	CZF09282	6MM L TOP PANEL BRACKET BACK RHS	1
RHS			

Rear Panel (1348)



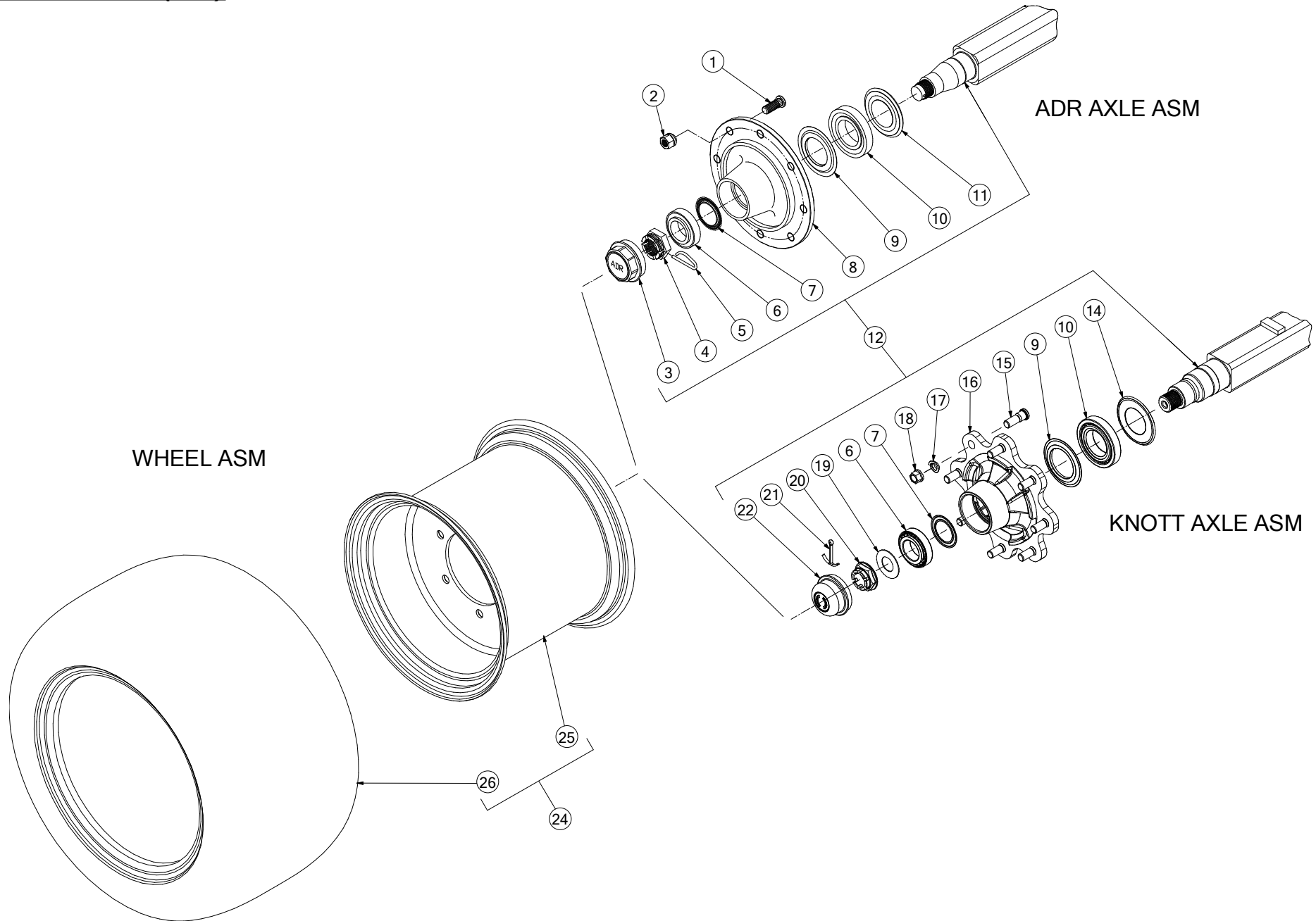
No.	Part No	Description	Qty
1	CGD00502	V6 PLASTIC BACK DOOR PANEL	1
2	CBE00028	BUFFER RUBBER 30X36 M8/27 57SH	2
3	CFA00132	NUT M8 NYLOC Z/P	2
4	CFA00147	WASHER FLAT 8MM Z/P	2
5	CFA00766	SETSCREW M8X20 FLANGED DIN6921 Z/P	6

Axle / Wheel / Brake



No.	Part No	Description	Qty
1	SPD01388	AXLE / WHEEL / BRAKE	

Axle & wheels (773)



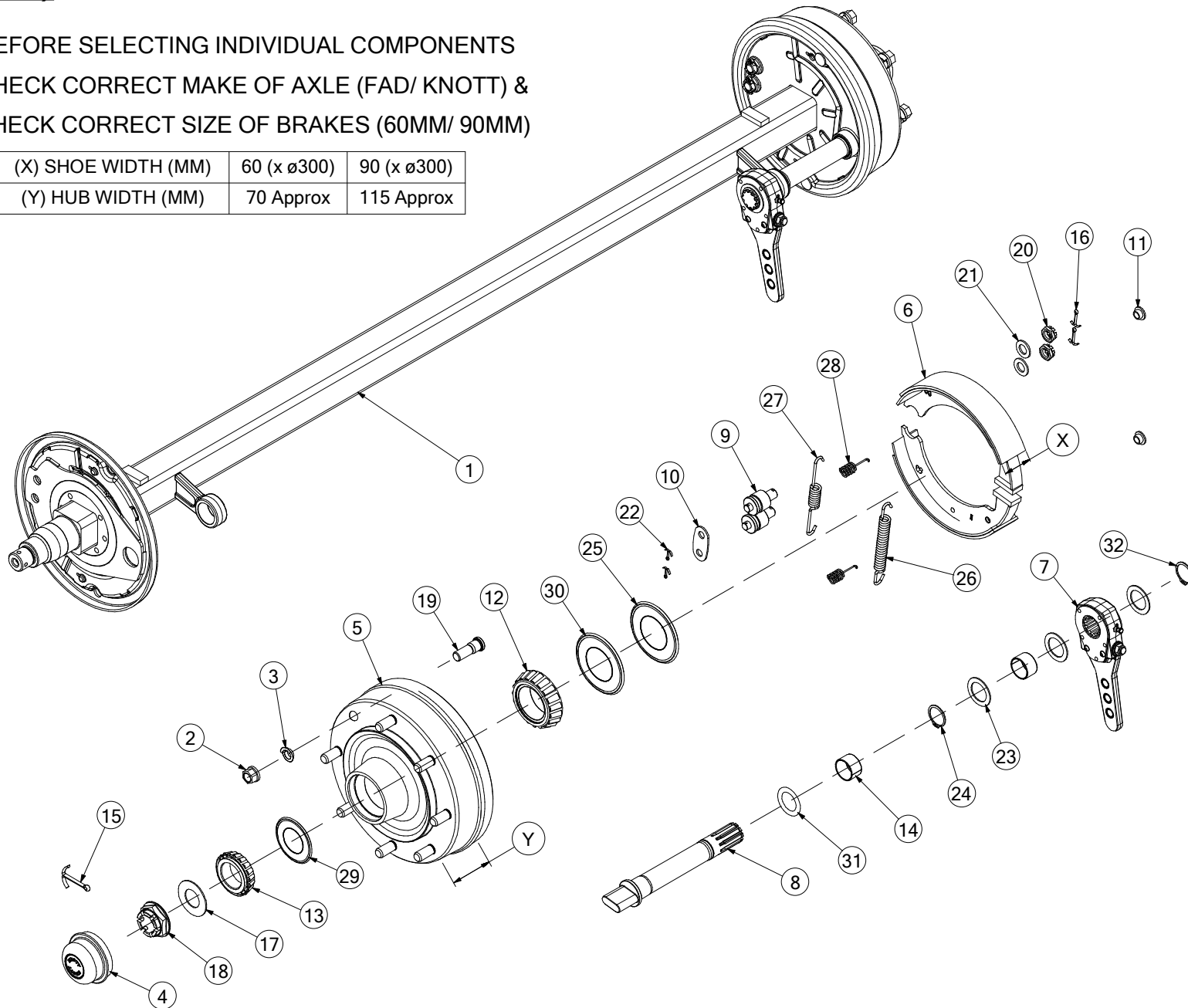
No.	Part No	Description	Qty
1	CAX00208	STUD M18X1.5X55 ADR HUB	16
2	CFA00121	M18 WHEEL NUT ADR	16
3	CAX00080	HUB CAP ADR FOR CAX00063	2
4	CFA00751	CASTLE NUT ADR FOR CAX00063	2
5	CFA00750	LOCKING PIN ADR	2
6	CBR00262	TAPER ROLLER BEARING 32210	2
7	CBR00261	NILOS SEAL 1 AXLE CAX00063	2
8	CAX00065	HUB ADR 8 STUD CAX00063	2
9	CBR00263	NILOS SEAL 2 AXLE CAX00063	2
10	CBR00064	TAPER ROLLER BEARING 30213	2
11	CSE00143	OIL SEAL ADR AXLE CAX00063	2
12	CAX00063	AXLE ASSY ST BALER	1
14	CSE00614	OIL SEAL KNOTT 6B6846.001	2
15	CFA00965	WHEEL STUD M18X1.5X52 KNOTT 6X0039.009	16
16	CAX00150	HUB 8 STUD KNOTT 6B6595.110	2
17	CAX00057	WASHER FOR AXLE B80L030D/S	16
18	CAX00056	NUT FOR AXLE B80L030D/S	16
19	CFA00963	WASHER ?36X?70 KNOTT 6B7216.001	2
20	CFA00964	CASTLE NUT M36X1.5 KNOTT 6B7217.001	2
21	CFA00410	SPLIT PIN 6X90	2
22	CAX00151	HUB CAP ?90 KNOTT 408440.001	2
0	0	0	0
24	CWH00058	WHEEL ASY 500/50-22.5 BKT	2
<i>(INCLUDES ITEMS 25 & 26)</i>			
25	CWH00066	RIM 16X22.5 (8-STUD -50 OFFSET)	2
26	CWH00067	TYRE 500/50-22.5 FLOTATION-648 BKT	2
0	0	0	0
24	CWH00083	WHEEL ASY 460/65-20 VREDESTEIN FLO+	2
<i>(INCLUDES ITEMS 25 & 26)</i>			
25	CWH00085	RIM 14X20 (8 STUD -35 OFFSET)	2
<i>REPLACES CWH00265</i>			
26	CWH00264	TYRE 460/65-20 VERDESTEIN FLO+	2
0	0	0	0
24	CWH00092	WHEEL ASSY 560/45R22.5 ALLIANCE 885	2
<i>(INCLUDES ITEMS 25 & 26)</i>			
25	CWH00066	RIM 16X22.5 (8-STUD -50 OFFSET)	2
26	CWH00091	560/45R22.5 ALLIANCE 885	2

Axle braked (838)

BEFORE SELECTING INDIVIDUAL COMPONENTS

1. CHECK CORRECT MAKE OF AXLE (FAD/ KNOTT) &
2. CHECK CORRECT SIZE OF BRAKES (60MM/ 90MM)

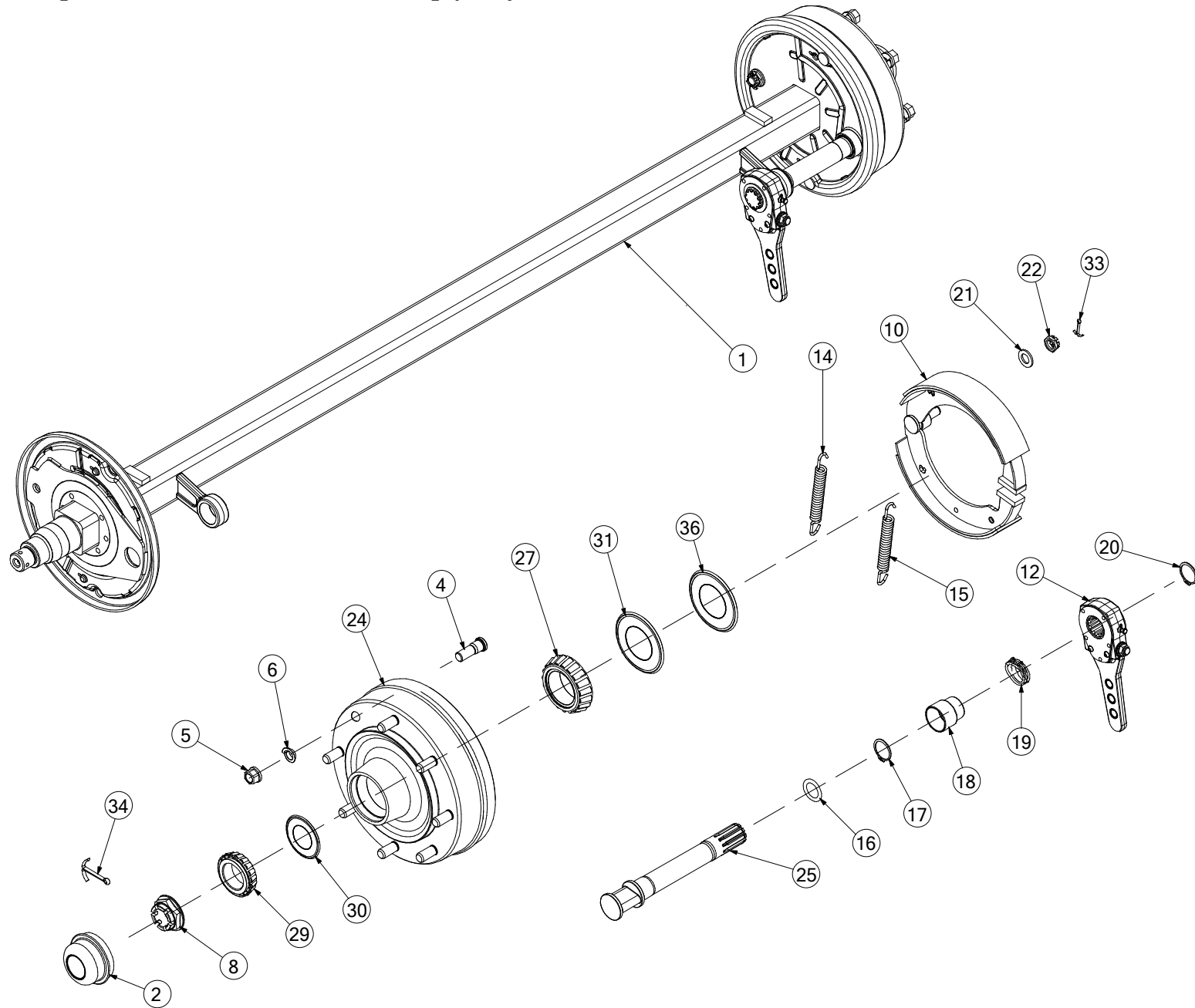
(X) SHOE WIDTH (MM)	60 (x ø300)	90 (x ø300)
(Y) HUB WIDTH (MM)	70 Approx	115 Approx



No.	Part No	Description	Qty
1	CAX00114	AXLE BRAK 8 STUD 70X300X60 FAD <i>(300X60) COMPLETE FAD AXLE ASM USED ON F5 SERIES MACHINES ONLY</i>	1
1	CAX00196	AXLE BRAKE 8 STUD 70X300X90 FAD <i>(300X90) COMPLETE FAD AXLE ASM USED ON V6 SERIES MACHINES ONLY</i>	1
2	CAX00056	NUT M18X1.5 AXLE B80L030D/S <i>FAD AXLE ONLY</i>	16
2	CAX00161	NUT M18X1.5X24AF AXLE KNOTT 6X0883.001 <i>KNOTT AXLE ONLY</i>	16
3	CAX00057	WASHER 18MM AXLE B80L030D/S	16
4	CAX00025	HUB CAP 998 FAD <i>FAD AXLE ONLY</i>	2
4	CAX00151	HUB CAP KNOTT 408440.001 <i>KNOTT AXLE ONLY</i>	2
5	CAX00133	HUB ASSEMBLY FAD AXLE BRAKED <i>(300X60) FAD AXLE ONLY (INCLUDES ITEMS 12, 13 & 19) HUB WIDTH IS 70MM APPROX</i>	2
5	CAX00201	HUB ASSEMBLY FAD AXLE AIR-BRAKE CAX00196 <i>(300X90) FAD AXLE ONLY (INCLUDES ITEMS 12, 13 & 19) HUB WIDTH IS 115MM APPROX</i>	2
5	CAX00155	HUB ASM BRAKE KNOTT 6B6597.100 <i>KNOTT AXLE ONLY (INCLUDES ITEMS 4, 12, 13 & 19) HUB WIDTH IS 70MM APPROX</i>	2
6	CAX00131	BRAKE SHOE ASM 300X60 FAD AXLE <i>(300X60) FAD AXLE ONLY (INCLUDES SPRINGS)</i>	2
6	CAX00112	BRAKE SHOE ASM 300X90 316A040C <i>(300X90) FAD AXLE ONLY (INCLUDES SPRINGS)</i>	2
6	CAX00156	SHOE ASM BRAKE KNOTT 25719.01 <i>(300X60) KNOTT AXLE ONLY</i>	2
7	CAX00132	ADJUSTABLE BRAKE LEVER FAD F5/V6 <i>FAD AXLE ONLY</i>	2
7	CAX00157	BRAKE LEVER ADJ KNOTT 6B7462.001 <i>KNOTT AXLE ONLY</i>	2
8	CAX00130	SHORT CAM SHAFT FAD AXLE BRAKED <i>(300X60) FAD AXLE ONLY</i>	2
8	CAX00202	CAMSHAFT FAD AXLE AIR-BRAKE CAX00196 <i>(300X90) FAD AXLE ONLY</i>	2
8	CAX00158	CAMSHAFT BRAKE KNOTT 6B7205.001 <i>(300X60) KNOTT AXLE ONLY</i>	2
9	CAX00159	SHOE PIVOT BRAKE KNOTT 6B7213.001 <i>KNOTT AXLE ONLY</i>	4
10	CAX00160	PLATE PIVOT BRAKE KNOTT 6B7214.001 <i>KNOTT AXLE ONLY</i>	2
11	CBC00159	CAP PLASTIC INSERT BRAKE KNOTT 44559.11 <i>KNOTT AXLE ONLY</i>	4
12	CBR00119	BEARING TAPER 32213 (65X120X33)	2
13	CBR00262	BEARING TAPER 32210 (50X90X25) <i>(300X60) FAD & KNOTT AXLES ONLY</i>	2
13	CBR00323	BEARING TAPER 33011 (55X90X27) <i>(300X90) FAD AXLE ONLY</i>	2
14	CAX00190	SLEEVE FAD BRAKED AXL 349F0341 <i>FAD AXLE ONLY</i>	2
14	CBR00301	BEARING INSERT KNOTT 6B7212.001 <i>KNOTT AXLE ONLY</i>	4
15	CFA00410	SPLIT PIN 6X90	2
16	CFA00322	SPLIT PIN 3X50 Z/P <i>FAD AXLE ONLY</i>	2
16	CFA00450	SPLIT PIN 4X36 ZP	4

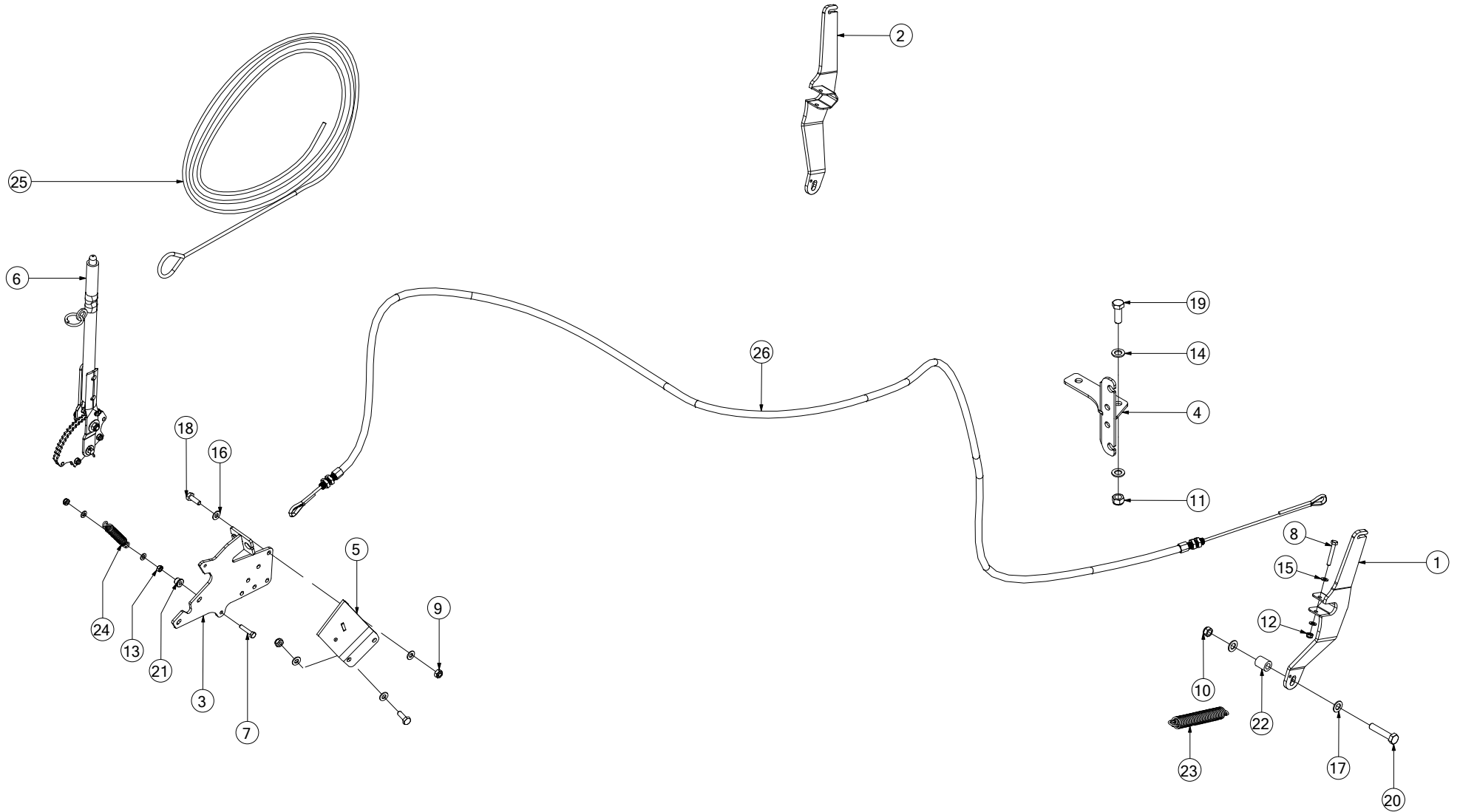
<i>KNOTT AXLE ONLY</i>			
17	CFA00963	WASHER \diamond 36X \diamond 70 KNOTT 6B7216.001	2
<i>KNOTT AXLE ONLY</i>			
18	CAX00023	NUT CASTLE 998 FAD <i>(300X60) FAD AXLE ONLY</i>	2
18	CAX00059	HUB NUT (B80L030D/S) 328F014 <i>(300X90) FAD AXLE ONLY</i>	2
18	CFA00964	CASTLE NUT M36X1.5 KNOTT 6B7217.001 <i>(300X60) KNOTT AXLE ONLY</i>	2
19	CFA00235	WHEEL STUD M18X1.5 F <i>(300X60) FAD AXLE ONLY</i>	16
19	CAX00055	STUD FOR AXLE B80L030D/S <i>(300X90) FAD AXLE ONLY</i>	16
19	CFA00235	WHEEL STUD M18X1.5 F <i>(300X60) KNOTT AXLE ONLY</i>	16
20	CAX00194	NUT CASTLE M18X1.5 BRAKE 328F002 <i>FAD AXLE ONLY</i>	2
20	CFA00985	CASTLE NUT M18X1.5 KNOTT 6X0935	4
21	CAX00193	WASHER 17X30X1.6 BRAKE 329F011 <i>FAD AXLE ONLY</i>	2
21	CFA00986	LOCKWASHER M18 KNOTT 6X0125A015	4
22	CFA00987	SPLIT PIN 3.2X20 KNOTT 6X0094.002 <i>KNOTT AXLE ONLY</i>	4
23	CFA00988	WASHER FLAT 38.2X56 KNOTT 6B7232.001 <i>KNOTT AXLE ONLY</i>	6
24	CAX00189	CIRCLIP FAD BRAKED AXL 341F043 <i>FAD AXLE ONLY</i>	2
24	CFA00989	CIRCLIP 38MM EXTERNAL KNOTT 6X0471.035 <i>KNOTT AXLE ONLY</i>	4
25	CSE00144	LIP SEAL 30213 (AXLE CAX077) <i>FAD AXLE ONLY</i>	2
25	CSE00614	OIL SEAL KNOTT 6B6846.001 <i>KNOTT AXLE ONLY</i>	2
26	CAX00186	SPRING LOWER FAD BRAKE 322F006	2
26	CSG00276	SPRING EXT BRAKE KNOTT 41531	2
27	CAX00185	SPRING UPPER FAD BRAKE 322F005	2
27	CSG00277	SPRING EXT BRAKE KNOTT 44548	2
28	CSG00278	SPRING RETAINING BRAKE KNOTT 45873.08 <i>KNOTT AXLE ONLY</i>	4
29	CBR00324	NILOS SEAL FOR BEARING 33011 (55X90) <i>(300X90) FAD AXLE ONLY</i>	2
30	CBR00325	NILOS SEAL FOR BEARING 32213 (65X120) <i>FAD AXLE ONLY</i>	2
31	CAX00187	O RING FAD BRAKED AXLE 341F069 <i>FAD AXLE ONLY</i>	2
32	CAX00192	CIRCLIP FAD BRAKED AXL 341F044 <i>FAD AXLE ONLY</i>	2
32	CFA00989	CIRCLIP 38MM EXTERNAL KNOTT 6X0471.035 <i>KNOTT AXLE ONLY</i>	2

Axle Air-brake [From Serial No 802238 On] (951)



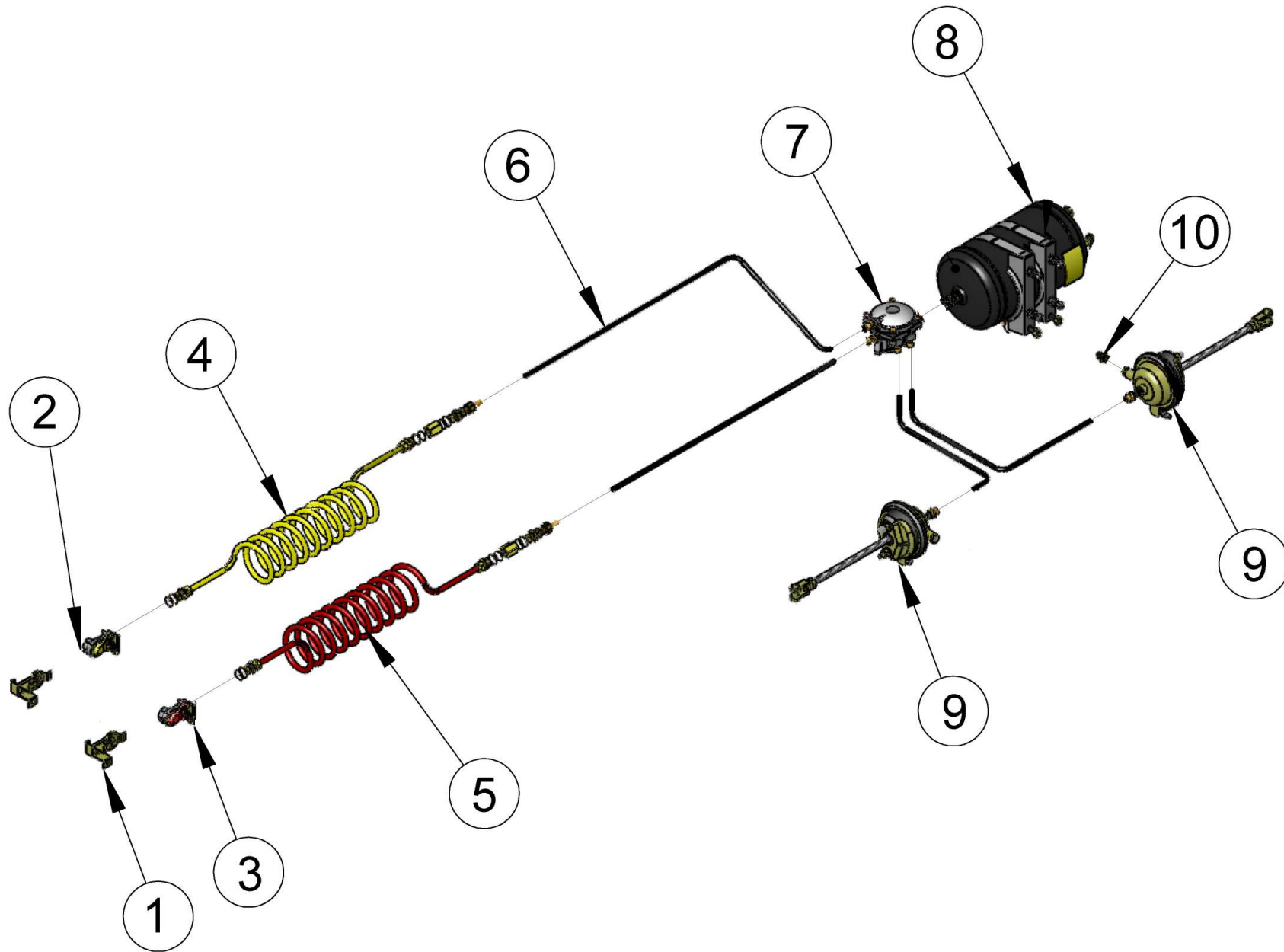
No.	Part No	Description	Qty
1	CAX00196	AXLE BRAKE 8 STUD 70X300X90 FAD	1
<i>COMPLETE AXLE ASM INCLUDING ITEMS 2 THROUGH 36</i>			
2	CAX00025	HUB CAP FAD AXLE 307F049	2
4	CAX00055	STUD FOR AXLE B80L030D/S	16
5	CAX00056	NUT M18X1.5X27AF AX B80L030D/S	16
6	CAX00057	WASHER 18MM AXLE B80L030D/S	16
8	CAX00059	HUB NUT (B80L030D/S) 328F014	2
10	CAX00112	BRAKE SHOE ASM 300X90 316A040C	2
<i>INCLUDES SPRINGS (ITEMS 14 & 15)</i>			
12	CAX00132	ADJUSTABLE BRAKE LEVER FAD 320F082	2
14	CAX00185	SPRING UPPER FAD BRAKE 322F005	2
15	CAX00186	SPRING LOWER FAD BRAKE 322F006	2
16	CAX00187	O RING FAD BRAKED AXLE 341F069	2
17	CAX00189	CIRCLIP FAD BRAKED AXL 341F043	2
18	CAX00190	SLEEVE FAD BRAKED AXL 349F0341	2
19	CAX00191	SPRING CLIP FAD BRAKE 322F046	2
20	CAX00192	CIRCLIP FAD BRAKED AXL 341F044	2
21	CAX00193	WASHER 17X30X1.6 BRAKE 329F011	2
22	CAX00194	NUT CASTLE M18X1.5 BRAKE 328F002	2
24	CAX00201	HUB ASSEMBLY FAD AXLE AIR-BRAKE CAX00196	2
<i>INCLUDES ITEMS 4, 27, 29, 30 & 31</i>			
25	CAX00202	CAMSHAFT FAD AXLE AIR-BRAKE CAX00196	2
27	CBR00119	BEARING TAPER 32213 65X120X33	2
29	CBR00323	BEARING TAPER 33011 55X90X27	2
30	CBR00324	NILOS SEAL FOR BEARING 33011 (55X90)	2
31	CBR00325	NILOS SEAL FOR BEARING 32213 (65X120)	2
33	CFA00322	SPLIT PIN 3X50 Z/P	2
34	CFA00410	SPLIT PIN 6X90	2
36	CSE00007	LIP SEAL HUB FAD AXLE 30213	2

Handbrake (691)



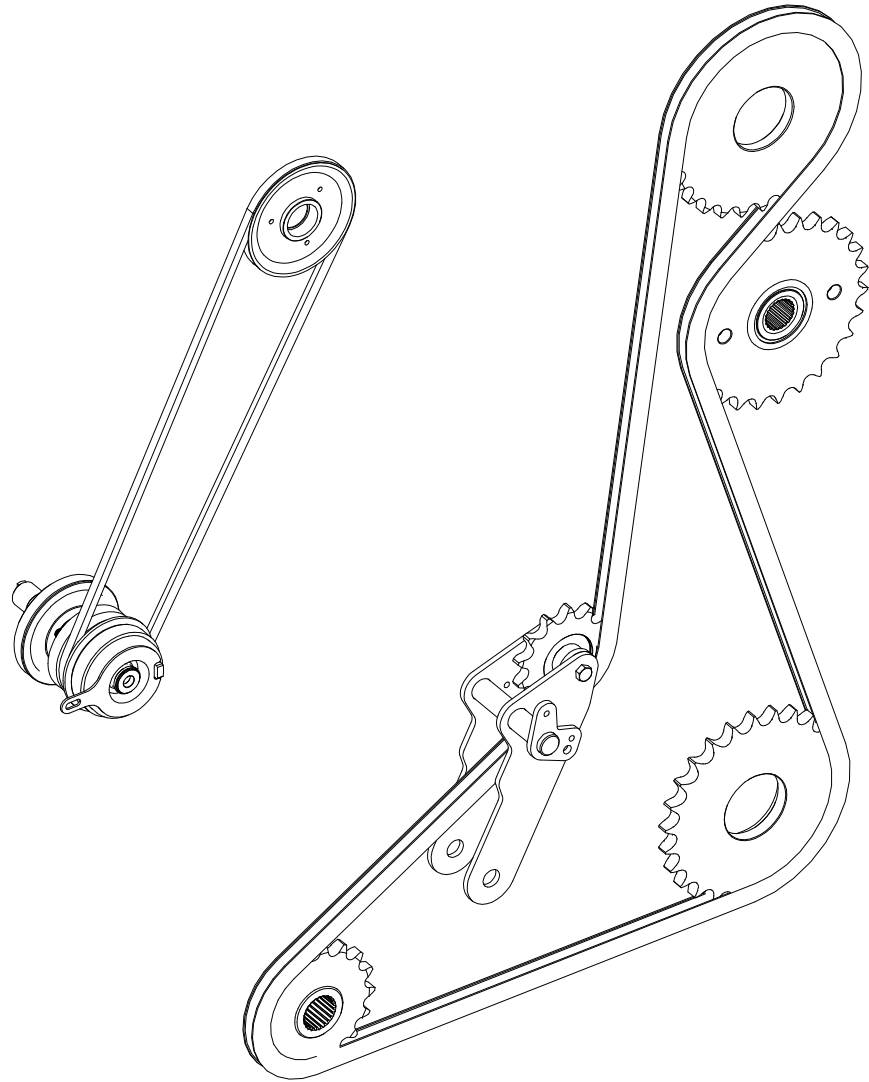
No.	Part No	Description	Qty
0	CAX00126	V6 HANDBRAKE KIT COMPLETE	1
1	ABD00055	BRAKE LEVER ASSY F5 LH	1
2	ABD00057	HANDBRAKE LEVER RH F5	1
3	ADB00143	HAND BRAKE BRACKET ASSY	1
4	ADB00126	HANDBRAKE CABLE BRACKET V6 SERIES	1
5	ADB00127	HANDBRAKE BRACKET F5	1
6	CAX00090	HAND BRAKE LEVER	1
7	CFA00100	BOLT M8X40 Z/P	1
8	CFA00108	BOLT M8X55 Z/P	2
9	CFA00123	NUT M10 NYLOC	5
10	CFA00126	NUT M14 NYLOC	2
11	CFA00128	NUT M16 NYLOC	4
12	CFA00132	NUT M8 NYLOC Z/P	3
13	CFA00133	NUT M8 Z/P	1
14	CFA00140	WASHER FLAT 16MM Z/P	8
15	CFA00147	WASHER FLAT 8MM Z/P	6
16	CFA00201	WASHER FLAT 10 MM Z/P	6
17	CFA00222	WASHER FLAT 14MM Z/P	4
18	CFA00230	SETSCREW M10X30 Z/P	3
19	CFA00282	BOLT M16X45	4
20	CFA00547	BOLT M14X70 Z/P	2
21	CMH00742	BUSH 8X20X13 ZINC PLATED	1
22	CMH02325	BUSH 14X25X30	2
23	CSG00208	SPRING EXT 3.5X28X188X43 Z/P	2
24	CSG00211	SRING COIL 3 X 19 X 135 27COILS	1
25	CTP00318	BREAK AWAY ROPE FUSION 2	1
26	CTP00346	NEW HAND BRAKE CABLE F5/V6 SERIES	2

Air brake kit (695)



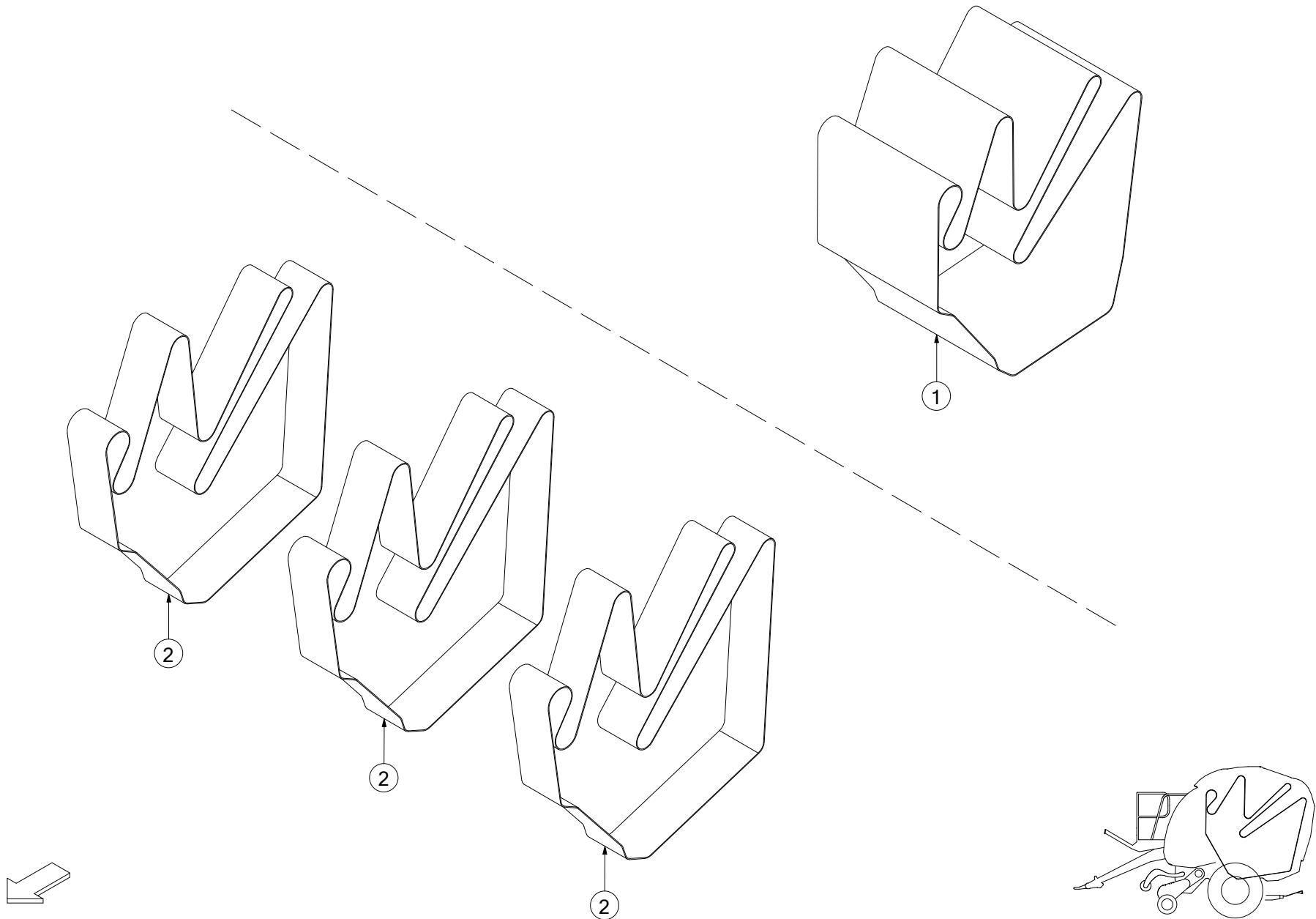
No.	Part No	Description	Qty
0	CHY02617	AIR BRAKE KIT COMPLETE V6 SERIES	1
1	CVA00328	COUPLER BRACKET	2
2	CVA00126	AIR BRAKE QUICK FIT COUPLING YELLOW	1
3	CVA00127	AIR BRAKE QUICK FIT BRK RED	1
4	CHY02557	SERVICE SUZZIE (YELLOW)	1
4a	CVA10039	M22 THRUST WASHER TRACTAIR	3
4b	CVA10038	M22 O RING TRACTAIR	3
5	CHY02558	EMERGENCY SUZZIE (RED)	1
5a	CVA10039	M22 THRUST WASHER TRACTAIR	3
5b	CVA10038	M22 O RING TRACTAIR	3
6	CHY02559	10MM O/D NYLON AIR BRAKE HOSE	AR
6a	CVA10034	7MM INSERT TRACTAIR (10MMTUBE)	2
6b	CVA10036	M22 - M16 BULKHEAD 10MM ASMBLY	2
6c	CVA10035	M22 FEM-FEM ADAPTOR TRACTAIR	2
7	CHY02605	CONTROL VALVE AIR BRAKE KIT [TRACTAIR]	1
7a	CVA10032	1/4 TAPER 10MM ST PUSHFIT ADAPTOR	4
8	CVA10033	AIR BRAKE TANK 15LTR	1
<i>TANK (WAS CVA00324 10LTR)</i>			
8a	CVA00325	RESERVOIR SADDLE	2
<i>SADDLE BRACKETS</i>			
8b	CZC04459	3MM L MTG PLATE AIR TANK V6	1
<i>MOUNTING BRACKET ON MACHINE</i>			
9	CVA00124	AIR BRAKE ACTUATOR TRACTAIR T12	2
<i>UP TO SERIAL No 802237</i>			
9	CVA00671	AIR BRAKE ACTUATOR TRACTAIR T16	2
<i>FROM SERIAL No 802238</i>			
9a	CVA10031	M16 10MM PUSH ADAPTOR AIR BRAKE	2
10	CVA00327	AIR BRAKE M16 TEST POINT	1
11	CFA00024	SETSCREW M10X25 Z/P	4
12	CFA00201	WASHER FLAT 10 MM Z/P	8
13	CFA00123	NUT M10 NYLOC	4

Chains / Belts / Sprockets



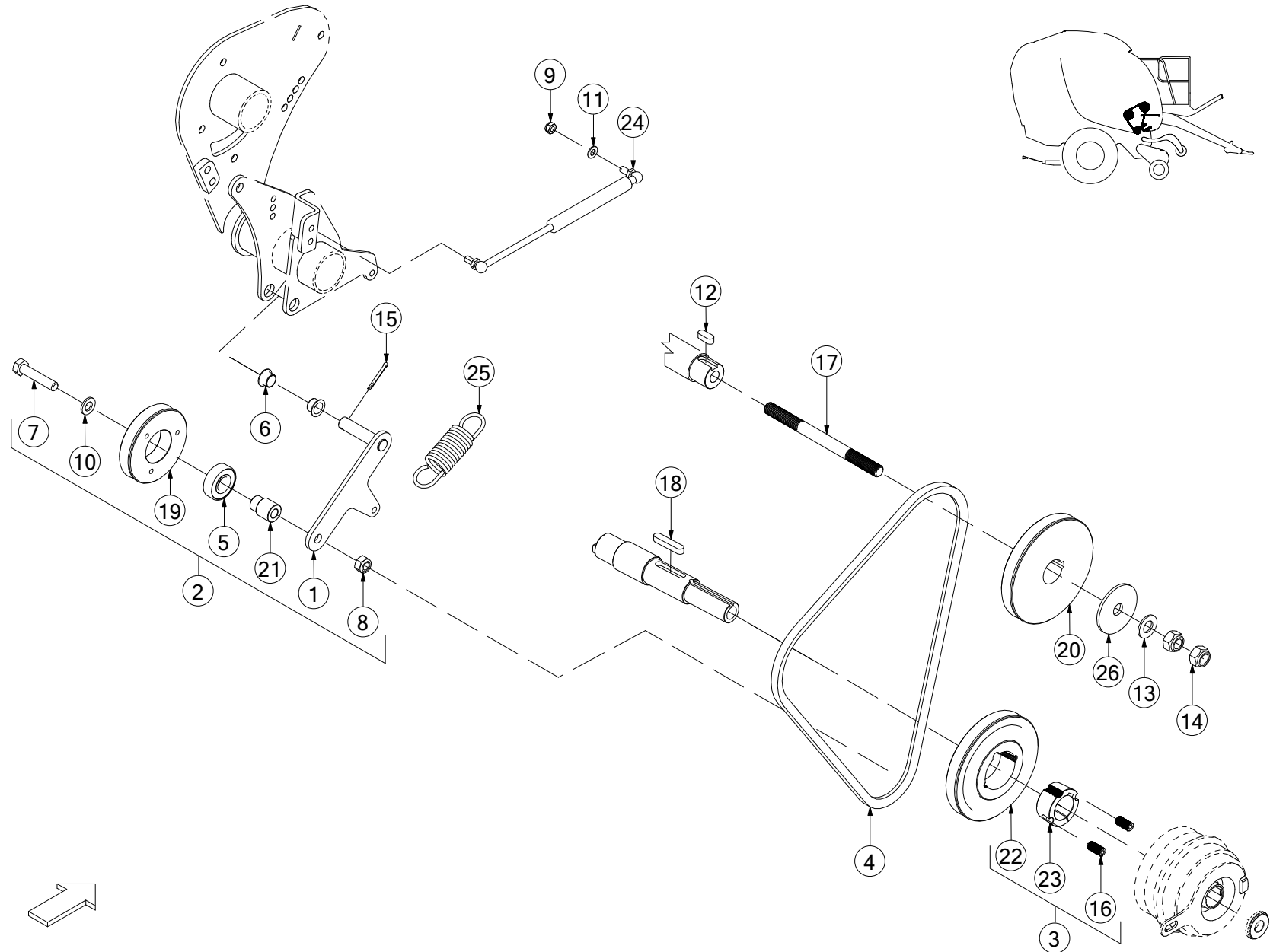
No.	Part No	Description	Qty
1	SPD01389	CHAINS / BELT / SPROCKETS	

Chamber Belt (1361)



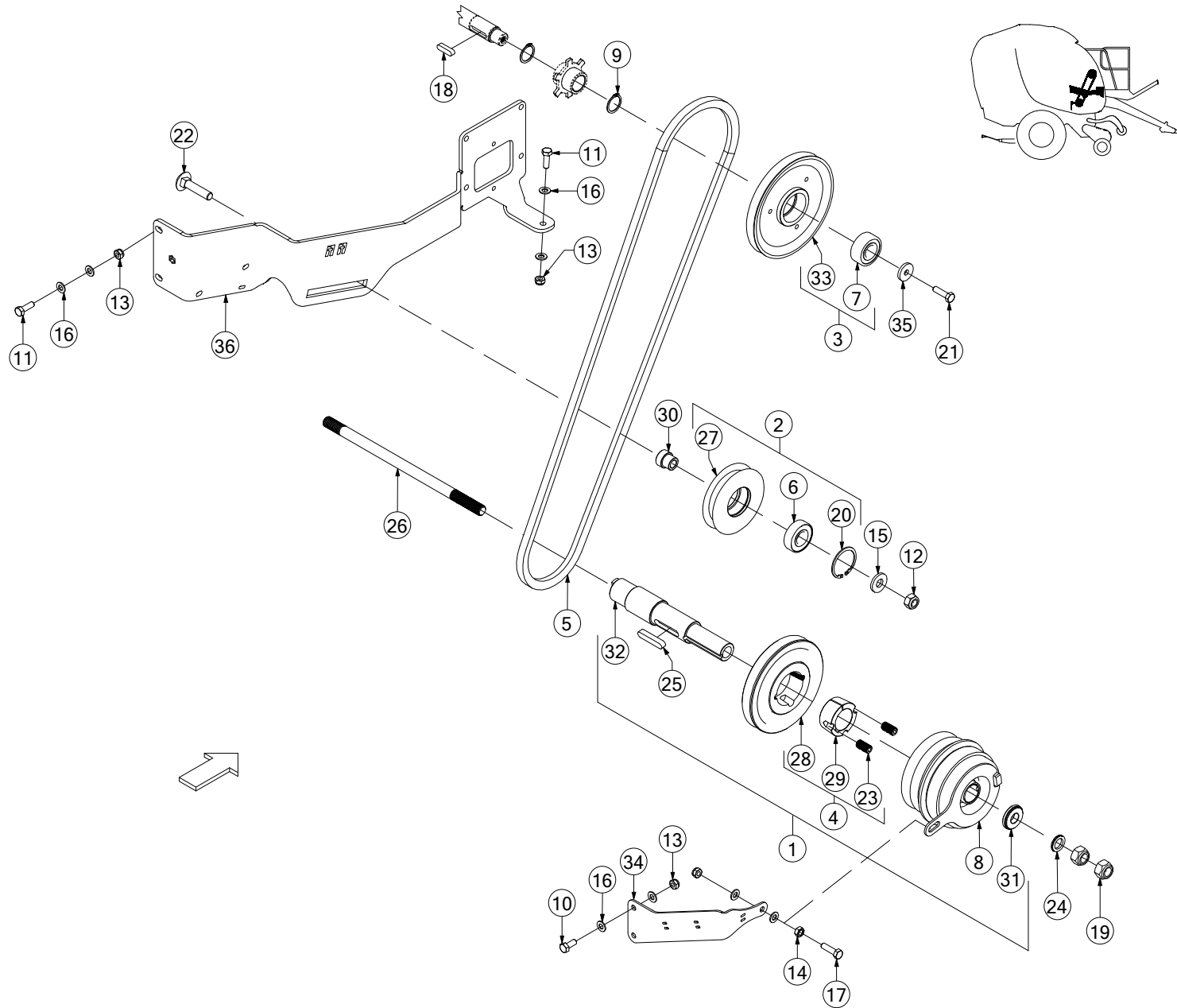
No.	Part No	Description	Qty
1	CBE00320	BELT 11675X1180X7.4 2PLY	1
2	CBE00403	BELT V6 12973 X 380 X 7.4MM CONTITECH	3

Belt & Pulley Netter 1 (1362)



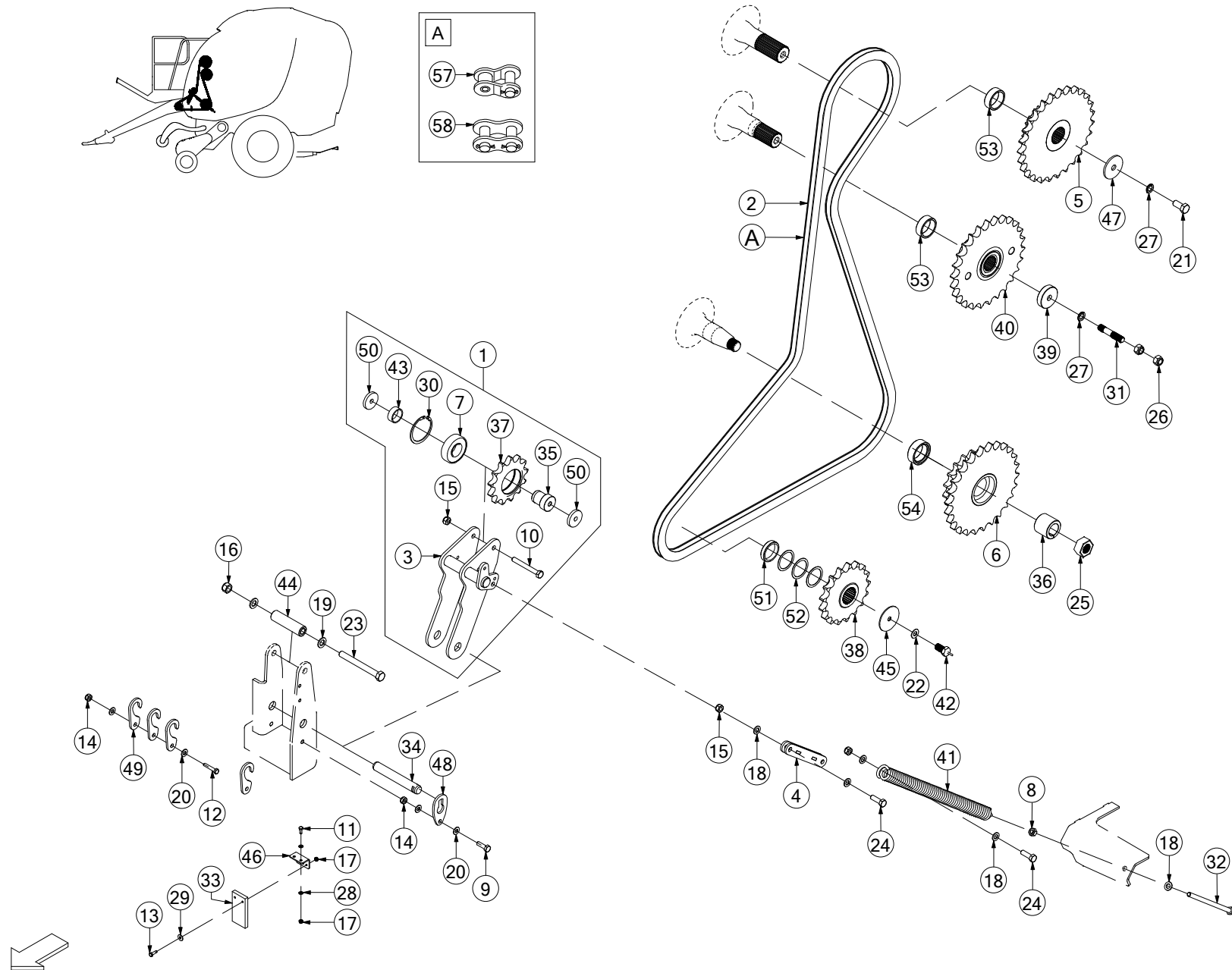
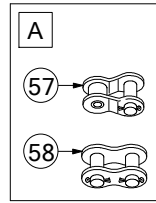
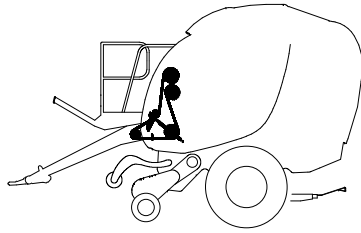
No.	Part No	Description	Qty
1	ARC00221	BELT TENSIONER ARM WELD ASSY	1
2	ARC00222	BELT TENSION ARM COMP ASSY	1
3	ARC00248	PULLEY 150 A SECTION TAPER LOCK	1
4	CBE00212	V BELT A48	1
5	CBR00020	BEARING 6204 2RS	1
6	CBR00118	BEARING STEPPED PLAS 16X18X12	2
7	CFA00076	BOLT M12X60 Z/P	1
8	CFA00124	NUT M12 NYLOC	1
9	CFA00132	NUT M8 NYLOC Z/P	1
10	CFA00138	WASHER FLAT 12MM Z/P	1
11	CFA00147	WASHER FLAT 8MM Z/P	1
12	CFA00155	KEY 10 X 8 X 25	1
13	CFA00252	WASHER SKM16	1
14	CFA00414	NUT M16X1.5 NYLOC FINE THREAD	2
15	CFA00450	SPLIT PIN 4 X36 Z/P	1
16	CFA00692	GRUBSCREW 7/16 X 7/8 BSW	2
17	CFA00867	M16X205 BOLT SPECIAL V660	1
18	CFA00904	KEY 10X8X50	1
19	CMH00596	V BELT PULLEY WHEEL	1
20	CMH01240	PULLEY 35X150 A SECTION	1
21	CMH01298	BUSH 12X25X35 STEPPED 20	1
22	CMH01354	PULLEY 150 A SECTION TAPER LOCK	1
23	CMH01355	TAPPER BUSH 1610 35MM BORE	1
24	CRA00262	GAS STRUT 8X18X95 500NM	1
25	CSG00340	SPRING EXT 4.5X35.5X120X13	1
26	CZD04321	4MM L WASHER 16X70X4 Z/P	1

Belt, Pulley & Netter Clutch, (1363)



No.	Part No	Description	Qty
1	ALA01049	NETTER CLUTCH SHAFT ASSY V6 MKIV	1
2	ANT00004	PULLEY WHEEL BELT TENSIONER ASSY	1
3	ANT00092	VARIO NET PULLEY WHEEL ASSEM 160 DIA	1
4	ARC00248	PULLEY 150 A SECTION TAPER LOCK	1
5	CBE00323	A67 DRIVE BELT	1
6	CBR00020	BEARING 6204 2RS	1
7	CBR00084	BEARING SEALED SPRAG CLUTCH	1
8	CEL00259	SHAFT MOUNTED	1
9	CFA00001	CIRCLIP 25MM EXTERNAL Z/P	2
10	CFA00052	SETSCREW M8X20 Z/P	1
11	CFA00102	SETSCREW M8X25 Z/P	2
12	CFA00124	NUT M12 NYLOC	1
13	CFA00132	NUT M8 NYLOC Z/P	4
14	CFA00133	NUT M8 Z/P	1
15	CFA00139	WASHER FLAT 12MM H/D Z/P	1
16	CFA00147	WASHER FLAT 8MM Z/P	8
17	CFA00316	BOLT M8X30 Z/P	1
18	CFA00359	KEY 8X7X30	1
19	CFA00414	NUT M16X1.5 NYLOC FINE THREAD	2
20	CFA00458	47MM INTERNAL CIRCLIP DIN 472	1
21	CFA00491	SETSCREW M8X30 Z/P	1
22	CFA00670	BOLT M12X55 CUP SQ Z/P	1
23	CFA00692	GRUBSCREW 7/16 X 7/8 BSW	2
24	CFA00783	WASHER NL16 NORD-LOCK	1
25	CFA00904	KEY 10X8X50	1
26	CFA00905	M16X325 STUD SPECIAL NET CLUTCH	1
27	CMH00611	PULLEY 85MM OD GROVED	1
28	CMH01354	PULLEY 150 A SECTION TAPER LOCK	1
29	CMH01355	TAPPER BUSH 1610 35MM BORE	1
30	CMH01362	BUSH 10X25 STEPPED 20	1
31	CMH02206	WASHER 16X38X12 STEPPED Z/P	1
32	CMH02451	CLUTCH SHAFT V660	1
33	CTP00449	SPA BELT PULLEY PRESSED STEEL 160MM	1
34	CZC03325	3MM L CLUTCH TORQUE ARM PART	1
35	CZD02678	4MM L WASHER PART NET UNIT	1
36	CZF09445	6MM L SPRING TENSIONER BRKT/ECU MOUNT	1

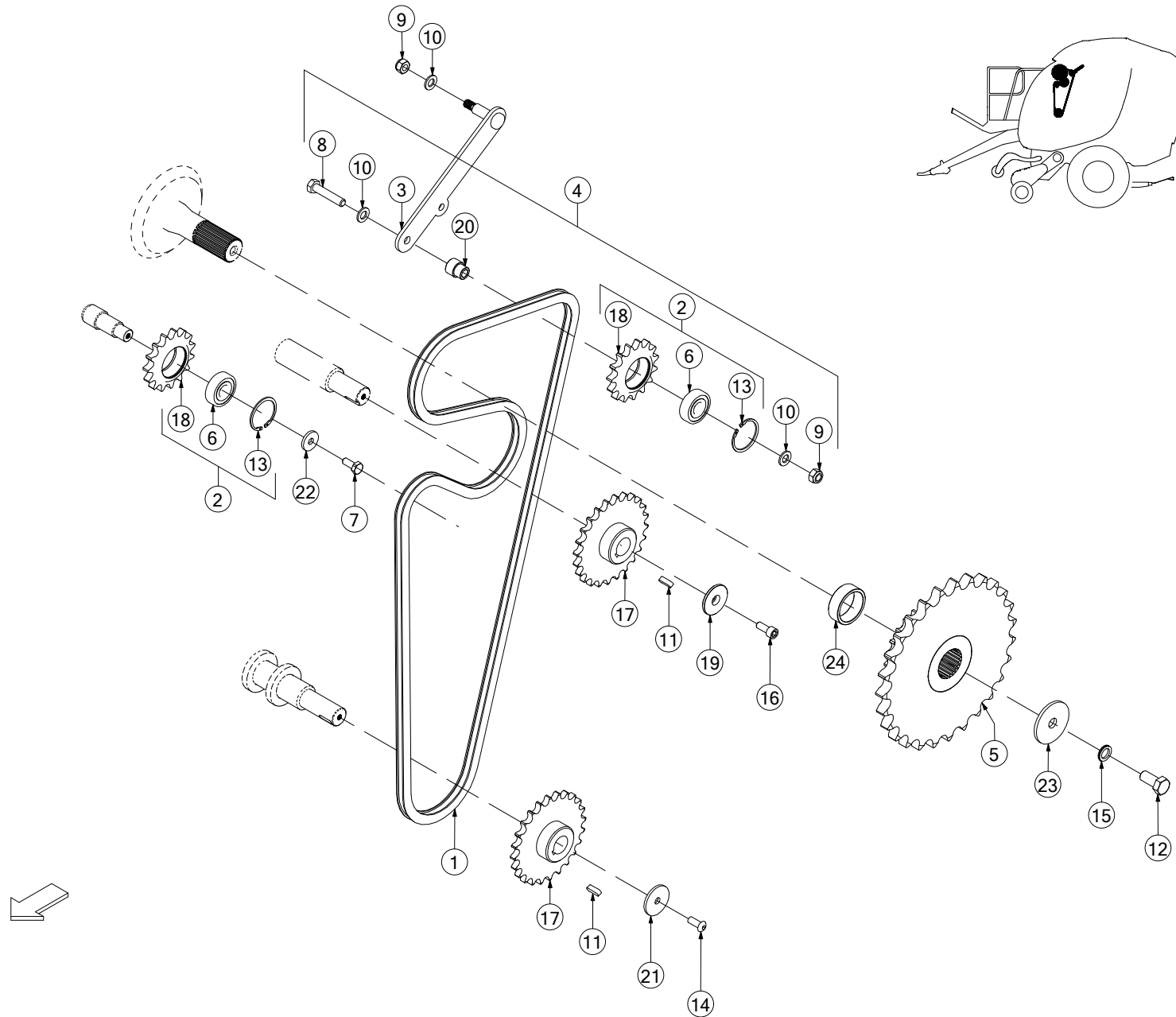
Chain & Sprocket Primary LHS (1355)



No.	Part No	Description	Qty
1	ACH00955	CHAIN TENSIONER COMP ASSY	1
2	CCH02048	CHAIN 100H 128 PITCH ENDLESS	1
3	ACH00954	CHAIN TENSIONER WELD ASSY	1
4	ALA01206	DRIVE CHAIN TENSIONER BRACKET V SERIES	1
5	ART00338	27T SPROCKET ASSY BELT BALER	1
6	ART00405	SPROCKET ASSY DOUBLE 17T AND 26T	1
7	CBR00294	BEARING 6307 2RS	1
8	CFA00014	NUT M12	1
9	CFA00016	BOLT M10X35	1
10	CFA00035	BOLT M12X100 Z/P	1
11	CFA00045	SETSCREW M6X16	1
12	CFA00106	BOLT M8X45 Z/P	1
13	CFA00115	SETSCREW M6X20 Z/P	1
14	CFA00123	NUT M10 NYLOC	2
15	CFA00124	NUT M12 NYLOC	3
16	CFA00128	NUT M16 NYLOC	1
17	CFA00131	NUT M6 NYLOC	2
18	CFA00138	WASHER FLAT 12MM Z/P	5
19	CFA00140	WASHER FLAT 16MM Z/P	2
20	CFA00201	WASHER FLAT 10 MM Z/P	4
21	CFA00229	SETSCREW M16X35 Z/P	1
22	CFA00250	WASHER SKM12	1
23	CFA00259	BOLT M16X150 Z/P	1
24	CFA00297	BOLT M12X40 Z/P	2
25	CFA00401	NUT M30X2 FINE THREAD	1
26	CFA00414	NUT M16X1.5 NYLOC FINE THREAD	2
27	CFA00783	WASHER NL16 NORD-LOCK	2
28	CFA00800	WASHER M6 DIN125 NYLON	2
29	CFA00855	6MM MUDGUARD WASHER	1
30	CFA00882	80MM INTERNAL CIRCLIP DIN 472	1
31	CFA00933	STUD M16X70 GRADE 10.9 F/TX1	1
32	CFA01164	BOLT SETSCREW M12X200 Z/P	1
33	CHY00941	OIL WICK 100X50X10	1
34	CMH00403	PIN 25X170 Z/P MILLED FOR CAP	1
35	CMH00467	BUSH 45X12.5X52 STEPPED 35 Z/P	1
36	CMH00508	BUSH 36X58X47 TAPPER	1
37	CMH01252	SPROCKET 1 1/4" 13 TOOTH	1
38	CMH02317	SPROCKET 1 1/4 17T 50MM SPLINE	1
39	CMH02350	WASHER STEPPED 52X46X16	1
40	CMT00579	SPROCKET 1 1/4 PITCH 26T OVERRUNNING CLUTCH	1
41	CSG00318	SPRING EXT 7X38.5 OD X 375	1
42	CVA00563	BEKA OIL PUMP DRIVE	1
43	CXT00185	TUBE 42.4X3X16	1
44	CXT00419	C030X7X112	1
45	CZC04301	3MM L WASHER 12.5X75X3	1
46	CZC05070	3MM L OILER WICK BRACKET PART V6	1
47	CZE04255	5MM L WASHER 16X70X5	1
48	CZF00292	6MM L CAP LONG FOR 25MM PINS	1
49	CZB04616	1.5MM L V6 MAIN CHAIN TENSIONER SHIMS	1

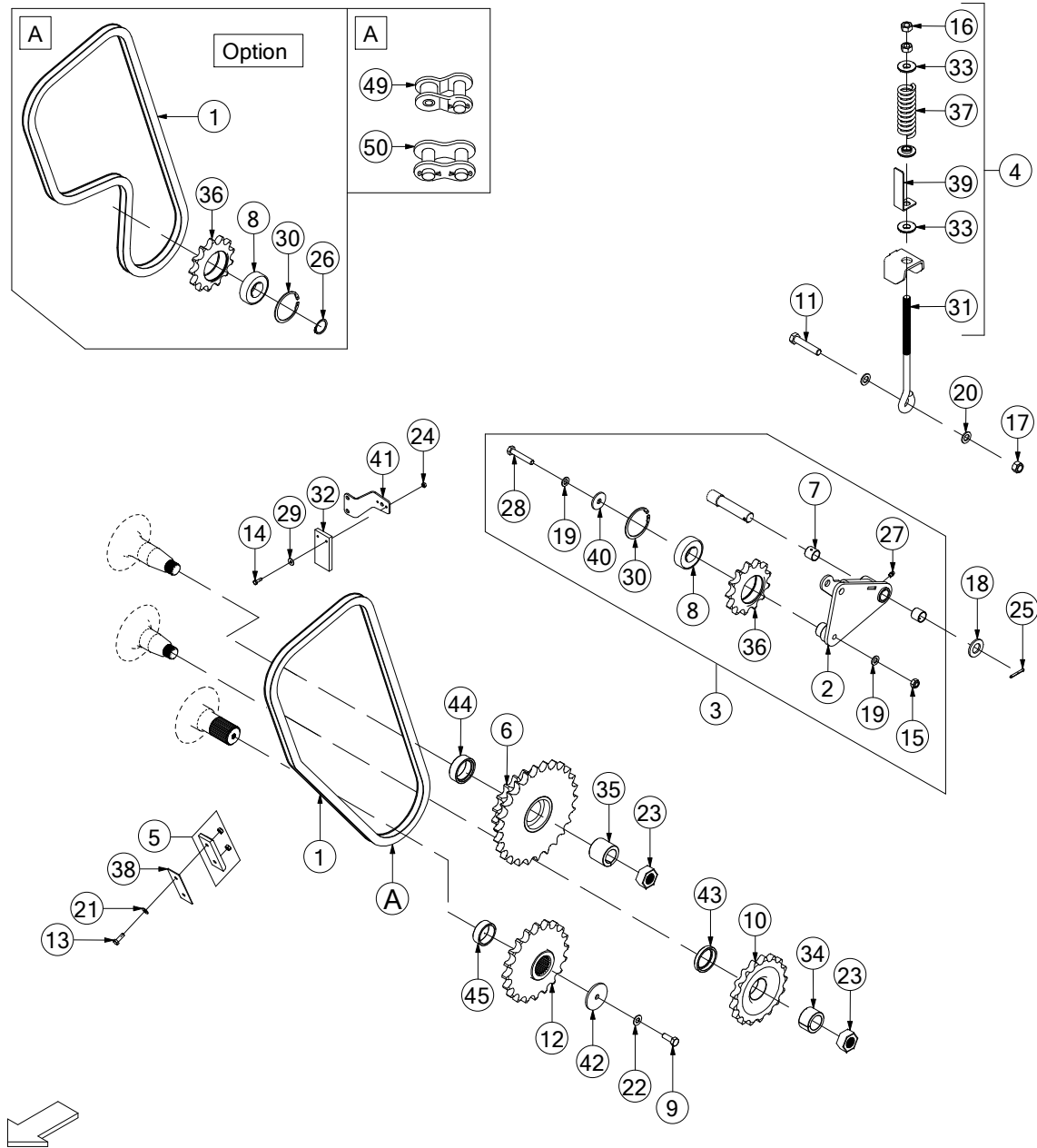
49	CZC05072	3MM L V6 MAIN CHAIN TENSIONER SHIMS	1
49	CZF07519	6MM L V6 MAIN CHAIN TENSIONER SHIM	4
50	CZG02236	8MM L SPACER PART	2
51	CMH01030	BUSH 50X60X12 F550 GEARBOX	1
52	CFA00048	SHIM 50X62X1.0	3
53	CMH02349	BUSH 50X60X20	2
54	CMH00736	BUSH 50X68X25 STEPPED 58	1
57	CCH00053	CHAIN LINK OFFSET ASA 100H 1"	1
58	CCH00045	CHAIN LINK CONN ASA 100H 1"	1

Chain & Sprocket Top LHS (1349)



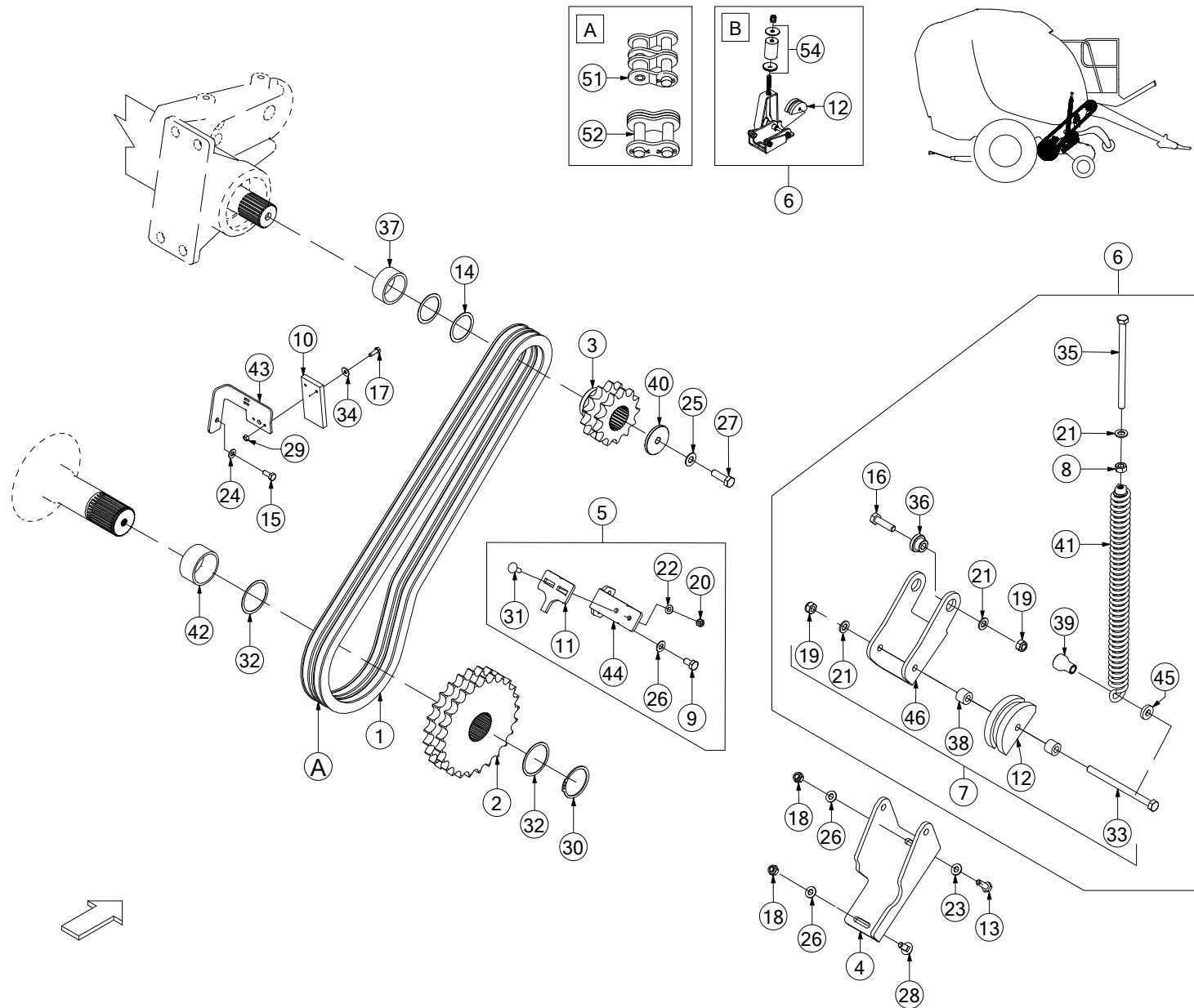
No.	Part No	Description	Qty
1	CCH02057	CHAIN 12B 3/4 PITCH 134 INCL LINK + OFF LINK	1
2	ALA00700	TENSIONER SPROCKET ASSEMBLY V6	2
3	ALA00731	AUGER CHAIN TENSIONER V6	1
4	ALA00732	AUGER CHAIN TENSIONER V6	1
5	ART00338	27T SPROCKET ASSY BELT BALER	1
6	CBR00066	BEARING 6304 2RS	2
7	CFA00024	SETSCREW M10X25 Z/P	1
8	CFA00076	BOLT M12X60 Z/P	1
9	CFA00124	NUT M12 NYLOC	2
10	CFA00138	WASHER FLAT 12MM Z/P	3
11	CFA00154	KEY 8 X 7 X 25	2
12	CFA00229	SETSCREW M16X35 Z/P	1
13	CFA00461	52MM INTERNAL CIRCLIP DIN 472	2
14	CFA00745	SETSCREW M10X25 BUTTON HEAD Z/P	1
15	CFA00783	WASHER NL16 NORD-LOCK	1
16	CFA02315	BOLT M10X25 SOC CAP 12.9	1
17	CMH01265	SPROCKET 3/4" 24 TOOTH	2
18	CMH02647	3/4" 15T SPROCKET BELT BALER	2
19	CMH02673	BUSH 10.5X50X11 STEPPED	1
20	CMH02744	BUSH 34 X 25 STEPPED	1
21	CZD02479	4MM L WASHER 10.5X50X4 Z/P	1
22	CZD04886	4MM L WASHER 32X10.5	1
23	CZE04255	5MM L WASHER 16X70X5	1
24	CMH02349	BUSH 50X60X20	1

Chain & Sprocket Bottom LHS (1350)



No.	Part No	Description	Qty
1	CCH02050	CHAIN 20B 64 PITCHS INCL LINK	1
1	CCH02060	CHAIN 20B 68 PITCHS INCL CON LINK	1
2	ACH01037	CHAIN TENSIONER WELD ASSY	1
3	ACH01038	CHAIN TENSIONER COMP ASSY	1
4	ACH02529	SPRING TENSIONER ASSY V6	1
5	ALA00311	WEAR STRIP ASSY BOTTOM DOOR	1
6	ART00405	SPROCKET ASSY DOUBLE 17T AND 26T	1
7	CBR00039	BEARING GLACIER PM 2525 DX	2
8	CBR00294	BEARING 6307 2RS	2
9	CFA00033	SETSCREW M12X35 Z/P	1
10	CTP00335	1 1/4" PITCH 17 T SPROCKET	1
11	CFA00043	BOLT M16X80	1
12	CMH01324	SPROCKET 1 1/4" PITCH 20T (50MM SPLINE)	1
13	CFA00102	SETSCREW M8X25 Z/P	1
14	CFA00115	SETSCREW M6X20 Z/P	1
15	CFA00124	NUT M12 NYLOC	1
16	CFA00127	NUT M16	2
17	CFA00128	NUT M16 NYLOC	1
18	CFA00135	WASHER FLAT 1" Z/P	1
19	CFA00138	WASHER FLAT 12MM Z/P	2
20	CFA00140	WASHER FLAT 16MM Z/P	2
21	CFA00249	WASHER SKM8	1
22	CFA00250	WASHER SKM12	1
23	CFA00401	NUT M30X2 FINE THREAD	2
24	CFA00473		1
25	CFA00475	SPLIT PIN 5X40 Z/P	1
26	CFA00514	CIRCLIP 35MM EXTERNAL	1
27	CFA00590	GREASE NIPPLE 1/8 BSP ST	1
28	CFA00592	BOLT M12X70 ZP	1
29	CFA00855	6MM MUDGUARD WASHER	1
30	CFA00882	80MM INTERNAL CIRCLIP DIN 472	2
31	CFA02270	EYE BOLT 16X320 TENSIONER	1
32	CHY00941	OIL WICK 100X50X10	1
33	CMH00464	BUSH 45X17X10 STEPPED 25 Z/P	3
34	CMH00507	BUSH 39X56X33 TAPERED COLLET	1
35	CMH00508	BUSH 36X58X47 TAPPER	1
36	CMH01252	SPROCKET 1 1/4" 13 TOOTH	2
37	CSG00025	SPRING COMP 8.5X44.8X140X10 Z/P	1
38	CZB04817	2MM L CHAIN SLIDE SHIM	1
39	CZC02057	3MM L CHAIN TENSIONE	1
40	CZD02186	4MM L WASHER 50X13X4	1
41	CZD04481	4MM L CHAIN OILER BRACKET V6	1
42	CZE00115	BALE SPLITTER WASHER	1
43	CMH00510	BUSH 50X68X12.5	1
44	CMH00736	BUSH 50X68X25 STEPPED 58	1
45	CMH02349	BUSH 50X60X20	1
49	CCH00032	CHAIN LINK OFFSET 20B 1 1/4	1
50	CCH00031	CHAIN LINK CONN 20B 1 1/4	1

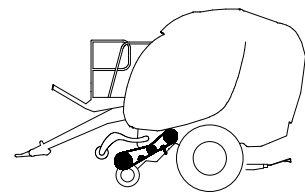
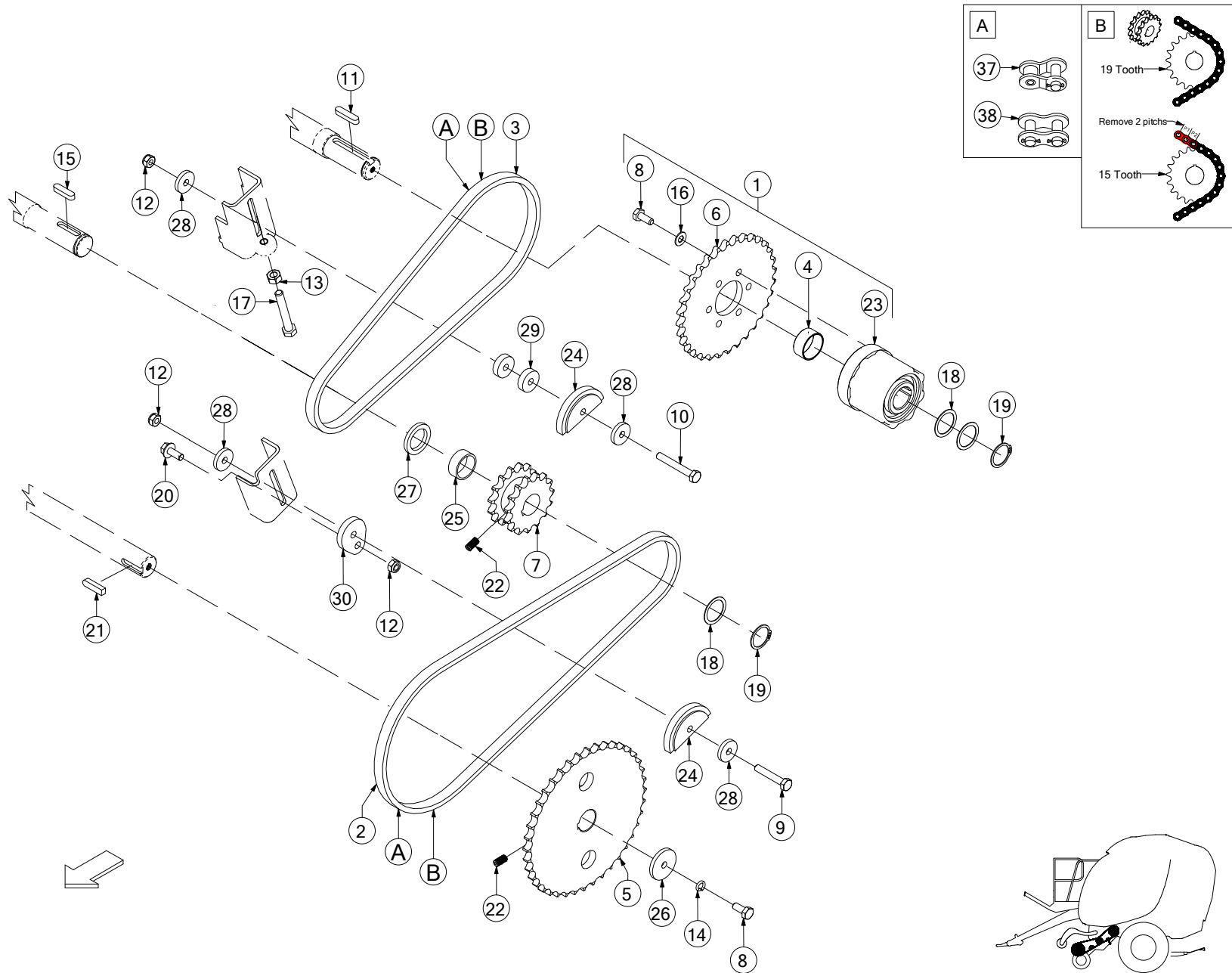
Chain & Sprocket Primary RHS (1356)



No.	Part No	Description	Qty
1	CCH02049	16B2 70 PITCHES INC CON LINK	1
2	CMH00659	SPROCKET 1" PITCH 25 T DUPLEX	1
3	CMH03201	SPROCKET 13T DUPLEX	1
4	CZG02671	8MM CHAIN TENSIONER PART	1
5	ACH03196	DUPLEX SPROCKET GROOVE CLEANER ASSEM	1
6	ACH00865	DUPLEX TENSIONER (SPRING)	1
<i>[B]: UP TO SERIAL NO.</i>			
6	ACH03298	DUPLEX TENSIONER V SERIES (SPRING TYPE)	1
<i>FROM SERIAL NO.</i>			
7	ACH01736	DUPLEX TENSIONER FUSION 3	1
8	CFA00014	NUT M12	1
9	CFA00023	SETSCREW M10X20 Z/P	1
10	CHY00941	OIL WICK 100X50X10	1
11	CZF00396	6MM LSCRAPER T PLATE	1
12	CPL00055	CHAIN TENSIONER SLIDE 1"DUPLEX	1
13	CFA00025	SETSCREW M10X30	1
14	CFA00048	SHIM 50X62X1.0	2
15	CFA00052	SETSCREW M8X20 Z/P	1
16	CFA00079	BOLT M12X45 Z/P	1
17	CFA00115	SETSCREW M6X20 Z/P	1
18	CFA00123	NUT M10 NYLOC	2
19	CFA00124	NUT M12 NYLOC	2
20	CFA00132	NUT M8 NYLOC Z/P	1
21	CFA00138	WASHER FLAT 12MM Z/P	3
22	CFA00147	WASHER FLAT 8MM Z/P	1
23	CFA00201	WASHER FLAT 10 MM Z/P	1
24	CFA00249	WASHER SKM8	1
25	CFA00250	WASHER SKM12	1
26	CFA00251	WASHER SKM10	3
27	CFA00297	BOLT M12X40 Z/P	1
28	CFA00442	SETSCREW M10X25 CUP SQ	1
29	CFA00473	NUT M6 STD Z/P	1
30	CFA00513	CIRCLIP 60MM EXTERNAL	1
31	CFA00591	BOLT M8X25 CUP SQ Z/P	1
32	CFA00637	SHIM 60X70X1	2
33	CFA00747	BOLT M12X170Z/P	1
34	CFA00855	6MM MUDGUARD WASHER	1
35	CFA01164	BOLT SETSCREW M12X200 Z/P	1
36	CMH00771	BUSH 12X35 STEPPED	1
37	CMH01084	BUSH 55X65X28 (STAROSIELSKI)	1
38	CMH01110	BUSH 12X25X19.5	2
39	CMH01894	BUSH 12X30X40 Z/P	1
40	CMH02963	BUSH STEPPED 12X70X10 Z/P	1
41	CSG00318	SPRING EXT 7X38.5 OD X 375	1
42	CXT00506	TWIN ROW ROTOR BEARING SPACER	1
43	CZD04773	V6 DUPLEX CHAIN INNER OILER BRKT	1
44	CZF00395	6MM L SCRAPER PLATE	1
45	CZF08737	6MM WASHER 12.5X28	1
46	CZG00204	8MM DUPLEX CHAIN TENSIONER PART	1

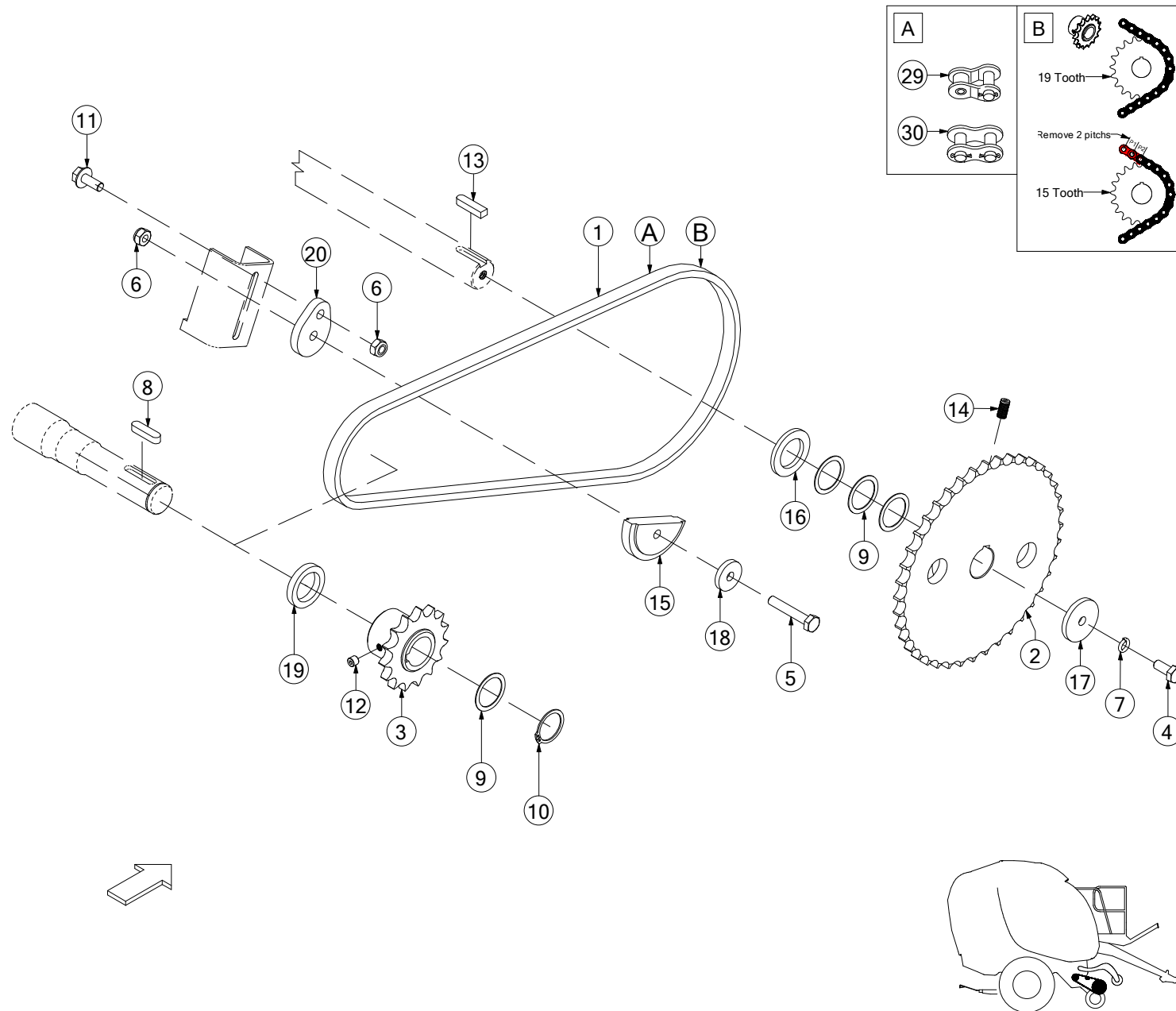
51	CCH02007	CHAIN LINK OFFSET 16B2 1"DUPX	1
52	CCH02006	CHAIN LINK CONN 1" DUPLEX 16B2	1
54	KST00089	DUPLEX CHAIN BUFFER KIT	1
<i>[B]: UP TO SERIAL NO.</i>			

Chain & Sprocket Camtrack Chopper Unit LHS (1357)



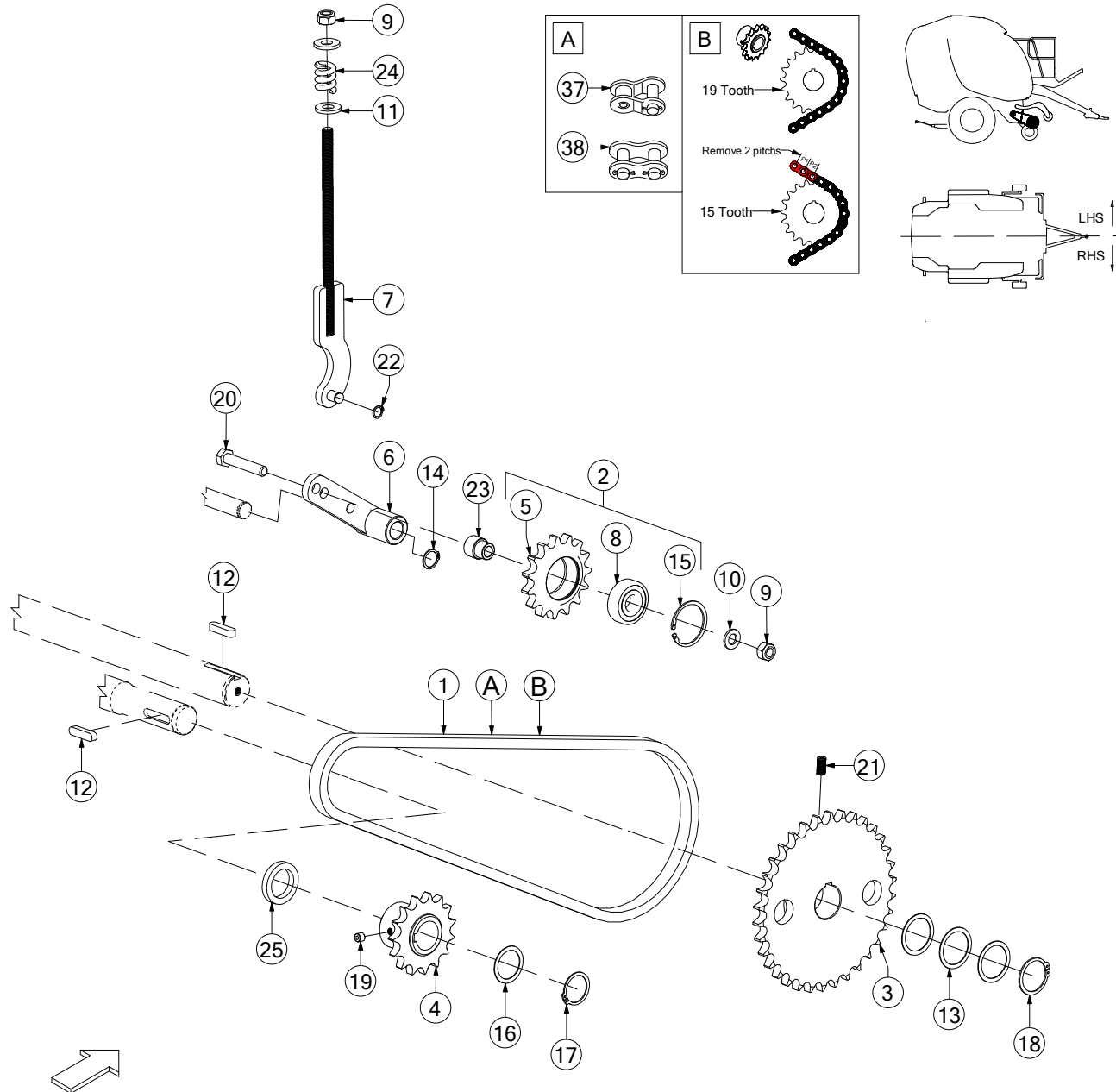
No.	Part No	Description	Qty
1	ARC00060	PIN CLUTCH ASSY REEL	1
2	CCH02026	CHAIN ASA60H 3/4" 78 INC LINK	1
3	CCH02025	SLIP-CLUTCH CHAIN ASA60H 3/4" 62 INC LINK	1
4	CBR00268	BEARING GLACIER PM 4020 SY	1
5	CMH00621	PLATWEHEEL 3/4" PITCH 40 T	1
6	CMH00727	PLATEWHEEL 3/4" PITCH 32T	1
7	CMH00227	SPROCKET 3/4"PITCH 15T DOUBLE	1
8	CFA00024	SETSCREW M10X25 Z/P	2
9	CFA00027	BOLT M10X60 Z/P	1
10	CFA00075	BOLT M10X75 Z/P	1
11	CFA00081	KEY 10X8X45	1
12	CFA00123	NUT M10 NYLOC	3
13	CFA00125	NUT M12 Z/P	1
14	CFA00137	WASHER SPRING 10MM HD Z/P	1
15	CFA00239	KEY 10X8X40	1
16	CFA00251	WASHER SKM10	1
17	CFA00330	BOLT M12X80 Z/P	1
18	CFA00512	SHIM 35X45X1.0 Z/P	3
19	CFA00514	CIRCLIP 35MM EXTERNAL	2
20	CFA00520	SETSCREW M10X25 FLD ZP	1
21	CFA00624	KEY 10x8x40 STRAIGHT	1
22	CFA00625	M10 x 20 GRUBSCREW	2
23	CMT00063	CLUTCH PICK-UP (900 Nm)	1
24	CPL00043	PLASTIC CHAIN TENSIONER (REEL)	2
25	CXT00185	TUBE 42.4X3X16	1
26	CZF02215	6MM L WASHER 10.5X50X6 Z/P	1
27	CZF05110	6MM L SPACER	1
28	CZF05111	6MM L PART SPACER	4
29	CZH02584	10MM L WASHER 35X10.5 Z/P	2
30	CZH02907	10MM L WASHER 10X50 FLAT SIDE ZP	1
37	CCH02022	CHAIN LINK OFFSET ASA60H 3/4"	1
38	CCH02021	CHAIN LINK CONN ASA60H 3/4"	1

Chain & Sprocket Camtrack Chopper Unit RHS (1358)



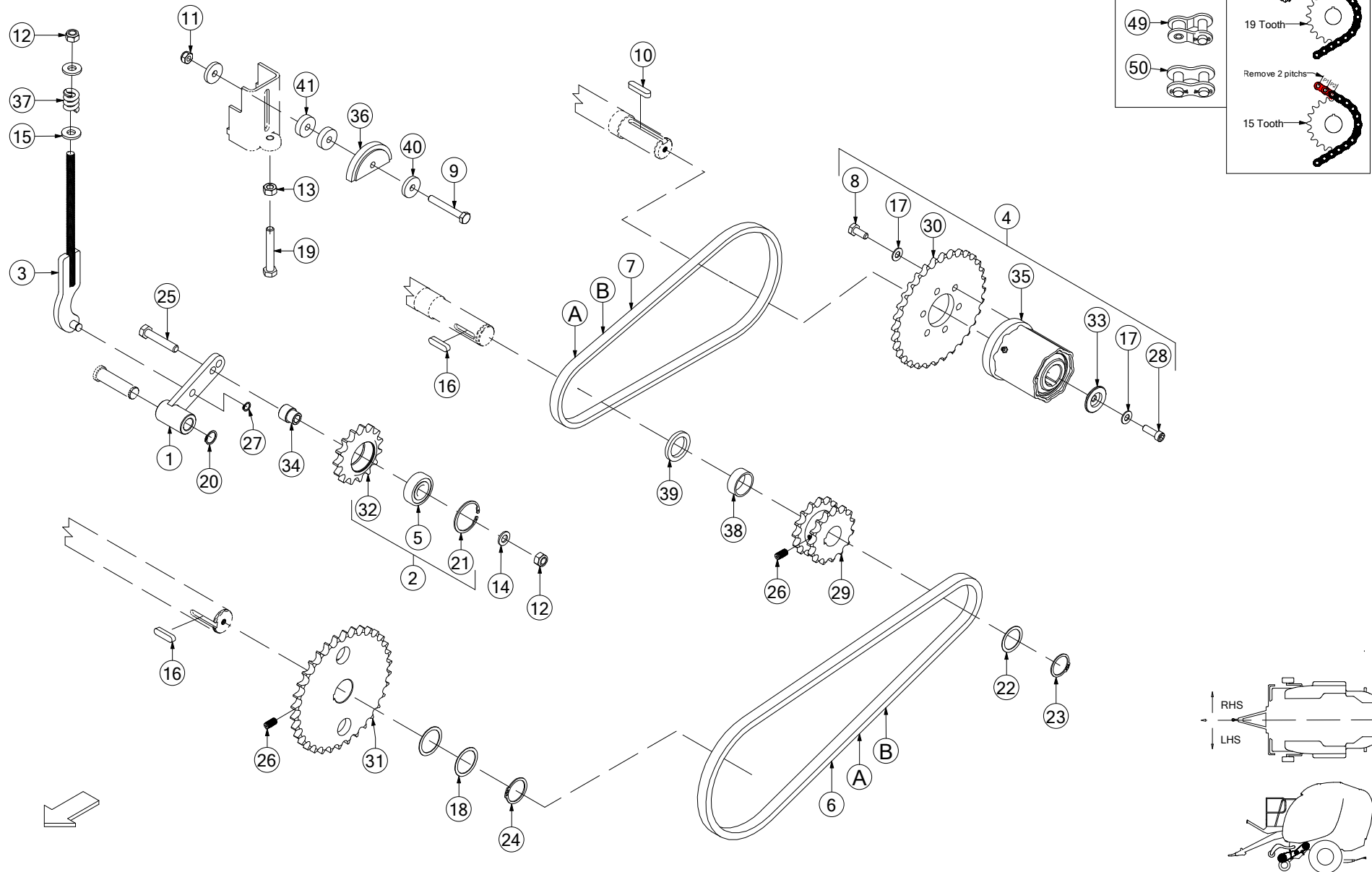
No.	Part No	Description	Qty
1	CCH02026	CHAIN ASA60H 3/4" 78 INC LINK	1
2	CMH00621	PLATWEHEEL 3/4" PITCH 40 T	1
3	ARC00431	SPROCKET 15T AUGER ASSY. (RIGHT)	1
4	CFA00024	SETSCREW M10X25 Z/P	1
5	CFA00027	BOLT M10X60 Z/P	1
6	CFA00123	NUT M10 NYLOC	2
7	CFA00137	WASHER SPRING 10MM HD Z/P	1
8	CFA00239	KEY 10X8X40	1
9	CFA00512	SHIM 35X45X1.0 Z/P	4
10	CFA00514	CIRCLIP 35MM EXTERNAL	1
11	CFA00520	SETSCREW M10X25 FLD ZP	1
12	CFA00559	GRUBSCREW M10X8	1
13	CFA00624	KEY 10x8x40 STRAIGHT	1
14	CFA00625	M10 x 20 GRUBSCREW	1
15	CPL00043	PLASTIC CHAIN TENSIONER (REEL)	1
16	CZE00156	5MM L WASHER 35X55X5 Z/P	1
17	CZF02215	6MM L WASHER 10.5X50X6 Z/P	1
18	CZF05111	6MM L PART SPACER	1
19	CZG02115	8MM L SPACER 35X50X8 AUGER	1
20	CZH02907	10MM L WASHER 10X50 FLAT SIDE ZP	1
29	CCH02022	CHAIN LINK OFFSET ASA60H 3/4"	1
30	CCH02021	CHAIN LINK CONN ASA60H 3/4"	1

Chain & Sprocket Camless Chopper Unit RHS (1359)



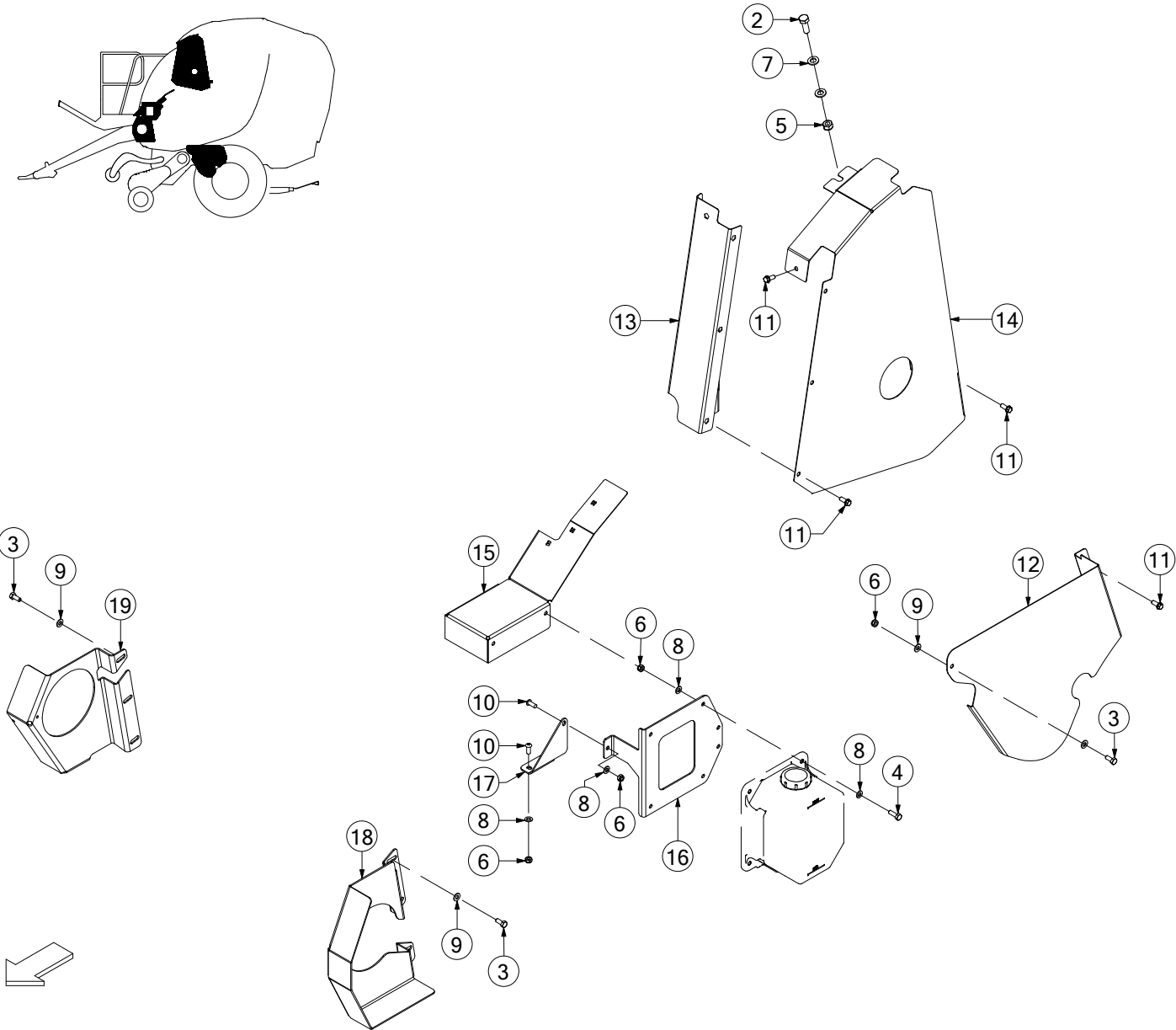
No.	Part No	Description	Qty
1	CCH00195	CHAIN ASA60H 3/4 76 P INC JOINERLINK	1
2	ALA00700	TENSIONER SPROCKET ASSEMBLY V6	1
3	CMH01122	PLATEWEHEEL 3/4 PITCH 34T 35MM	1
<i>UP TO SERIAL No 664795 (FUSION 3), 712937 (F5), 805675 (V6) & 900611 (VARIO)</i>			
3	CMH01908	PLATEWEHEEL 3/4 PITCH 34 T (40MM BORE)	1
<i>FROM SERIAL No 664796 (FUSION 3), 712938 (F5), 805676 (V6) & 900612 (VARIO)</i>			
4	ARC00431	SPROCKET 15T AUGER ASSY. (RIGHT)	1
5	CMH02647	3/4" 15T SPROCKET BELT BALER	1
6	ACH02939	CHAIN TENSIONER ARM WELD ASSEM (FLEXI)	1
7	APU00021	CHAIN ADJUSTER WELD ASSEM	1
<i>RHS</i>			
7	APU00020	CHAIN TENSIONER ADJUSTER WELD ASSEM (FLEXI)	1
<i>LHS</i>			
8	CBR00066	BEARING 6304 2RS	1
9	CFA00124	NUT M12 NYLOC	2
10	CFA00138	WASHER FLAT 12MM Z/P	1
11	CFA00139	WASHER FLAT 12MM H/D Z/P	2
12	CFA00239	KEY 10X8X40	2
13	CFA00265	SHIM 40X50X1.0	3
14	CFA00339	CIRCLIP 20MM EXTERNAL	1
15	CFA00461	52MM INTERNAL CIRCLIP DIN 472	1
16	CFA00512	SHIM 35X45X1.0 Z/P	1
17	CFA00514	CIRCLIP 35MM EXTERNAL	1
18	CFA00551	CIRCLIP 40MM EXTERNAL	1
19	CFA00559	GRUBSCREW M10X8	1
20	CFA00579	BOLT M12X65 ZP	1
21	CFA00625	M10 x 20 GRUBSCREW	1
22	CFA01053	CIRCLIP 12MM EXTERNAL Z/P DIN 471	1
23	CMH02744	BUSH 34 X 25 STEPPED	1
24	CSG00297	SPRING 6 X 25 X 35	1
25	CZG02115	8MM L SPACER 35X50X8 AUGER	1
37	CCH02022	CHAIN LINK OFFSET ASA60H 3/4"	1
38	CCH02021	CHAIN LINK CONN ASA60H 3/4"	1

Chain & Sprocket Camless Chopper Unit LHS (1360)



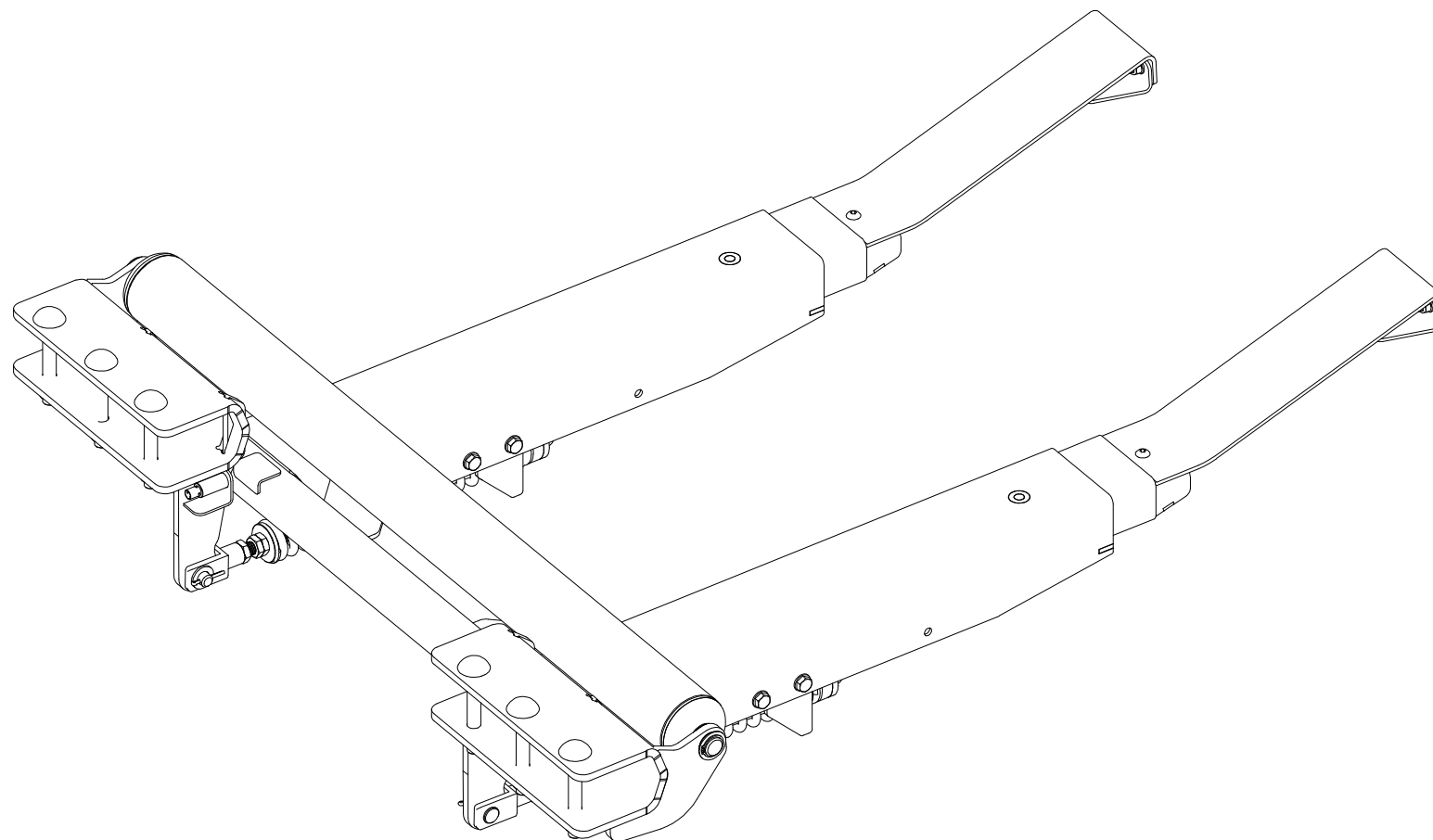
No.	Part No	Description	Qty
1	ACH02939	CHAIN TENSIONER ARM WELD ASSEM (FLEXI)	1
2	ALA00700	TENSIONER SPROCKET ASSEMBLY V6	1
3	APU00021	CHAIN ADJUSTER WELD ASSEM	1
	<i>RHS</i>		
3	APU00020	CHAIN TENSIONER ADJUSTER WELD ASSEM (FLEXI)	1
	<i>LHS</i>		
4	ARC00382	PIN CLUTCH ASSY CAMLESS REEL	1
5	CBR00066	BEARING 6304 2RS	1
6	CCH00195	CHAIN ASA60H 3/4 76 P INC JOINERLINK	1
7	CCH02025	SLIP-CLUTCH CHAIN ASA60H 3/4" 62 INC LINK	1
8	CFA00024	SETSCREW M10X25 Z/P	1
9	CFA00075	BOLT M10X75 Z/P	1
10	CFA00081	KEY 10X8X45	1
11	CFA00123	NUT M10 NYLOC	1
12	CFA00124	NUT M12 NYLOC	2
13	CFA00125	NUT M12 Z/P	1
14	CFA00138	WASHER FLAT 12MM Z/P	1
15	CFA00139	WASHER FLAT 12MM H/D Z/P	2
16	CFA00239	KEY 10X8X40	2
17	CFA00251	WASHER SKM10	2
18	CFA00265	SHIM 40X50X1.0	2
19	CFA00330	BOLT M12X80 Z/P	1
20	CFA00339	CIRCLIP 20MM EXTERNAL	1
21	CFA00461	52MM INTERNAL CIRCLIP DIN 472	1
22	CFA00512	SHIM 35X45X1.0 Z/P	1
23	CFA00514	CIRCLIP 35MM EXTERNAL	1
24	CFA00551	CIRCLIP 40MM EXTERNAL	1
25	CFA00579	BOLT M12X65 ZP	1
26	CFA00625	M10 x 20 GRUBSCREW	2
27	CFA01053	CIRCLIP 12MM EXTERNAL Z/P DIN 471	1
28	CFA02319	BOLT M10X30 SOC CAP Z/P	1
29	CMH00227	SPROCKET 3/4"PITCH 15T DOUBLE	1
30	CMH00727	PLATEWHEEL 3/4" PITCH 32T	1
31	CMH01122	PLATEWEHEEL 3/4 PITCH 34T 35MM	1
	<i>UP TO SERIAL No 664795 (FUSION 3), 712937 (F5), 805675 (V6) & 900611 (VARIO)</i>		
31	CMH01908	PLATEWEHEEL 3/4 PITCH 34 T (40MM BORE)	1
	<i>FROM SERIAL No 664796 (FUSION 3), 712938 (F5), 805676 (V6) & 900612 (VARIO)</i>		
32	CMH02647	3/4" 15T SPROCKET BELT BALER	1
33	CMH02697	CAMLESS CLUTCH RETAINING BUSH	1
34	CMH02744	BUSH 34 X 25 STEPPED	1
35	CMT00381	CLUTCH CAMLESS 1200N (602175)	1
36	CPL00043	PLASTIC CHAIN TENSIONER (REEL)	1
37	CSG00297	SPRING 6 X 25 X 35	1
38	CXT00185	TUBE 42.4X3X16	1
39	CZF05110	6MM L SPACER	1
40	CZF05111	6MM L PART SPACER	2
41	CZH02584	10MM L WASHER 35X10.5 Z/P	2
49	CCH02022	CHAIN LINK OFFSET ASA60H 3/4"	1
50	CCH02021	CHAIN LINK CONN ASA60H 3/4"	1

Chain Guards (1364)



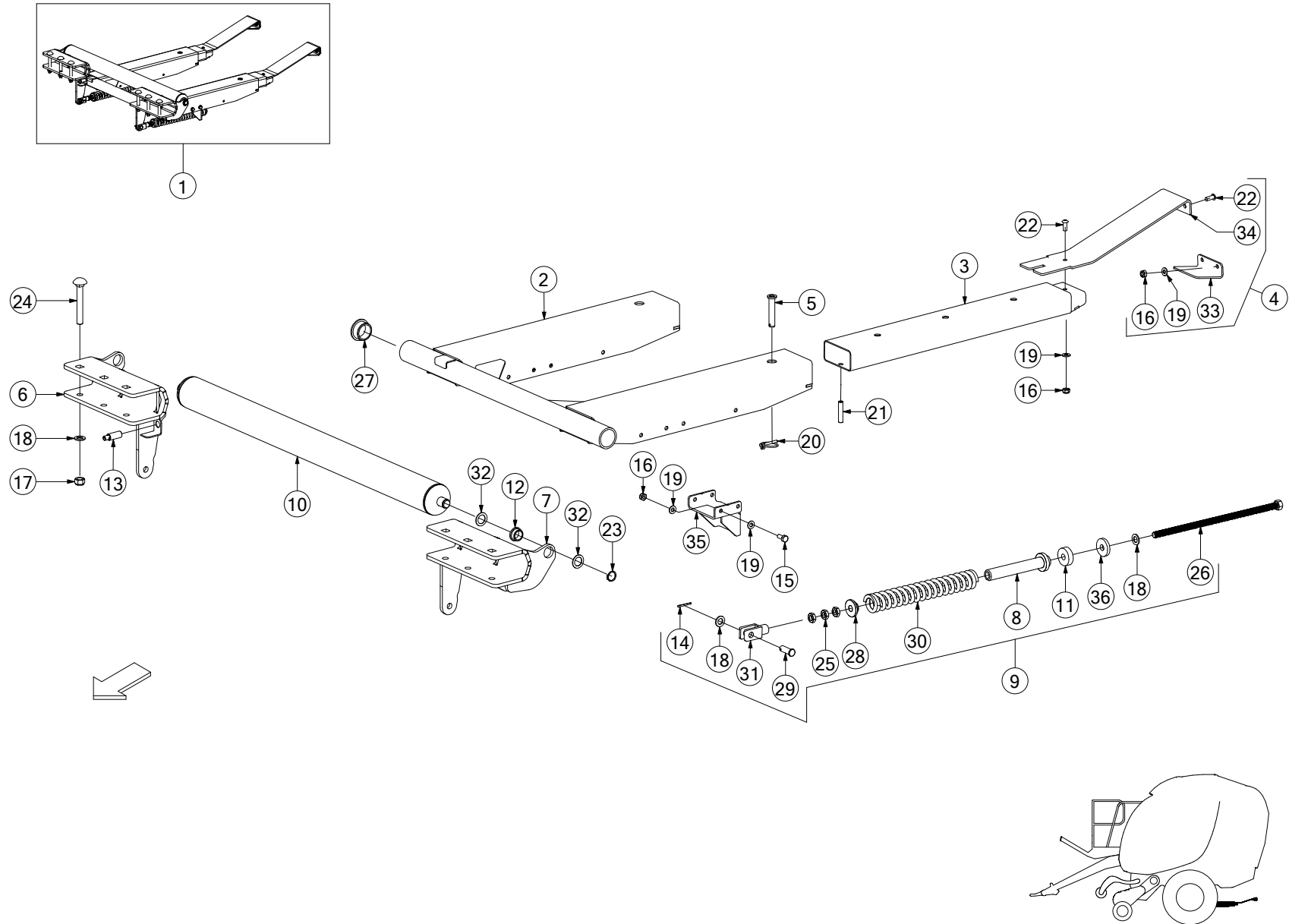
No.	Part No	Description	Qty
1	ACH03173	FRONT ASSY COMP V89 SERIES	1
2	CFA00033	SETSCREW M12X35 Z/P	1
3	CFA00052	SETSCREW M8X20 Z/P	4
4	CFA00102	SETSCREW M8X25 Z/P	1
5	CFA00124	NUT M12 NYLOC	1
6	CFA00132	NUT M8 NYLOC Z/P	4
7	CFA00138	WASHER FLAT 12MM Z/P	2
8	CFA00147	WASHER FLAT 8MM Z/P	4
9	CFA00249	WASHER SKM8	5
10	CFA00429	SETSCREW M8X20 BUTTON HEAD Z/P	2
11	CFA00766	SETSCREW M8X20 FLANGED DIN6921 Z/P	7
12	CZB04309	1.5MM L CHAIN GUARD LHS V660	1
13	CZB04738	1.5MM L CHAIN GUARD V6 1.8M	1
14	CZB04741	1.5MM L CHAIN GUARD V8	1
15	CZB04742	1.5MM L V6 MKIV CHAIN GUARD V8	1
16	CZC04506	3MM L OIL TANK BRACKET V6	1
17	CZC05121	3MM L OIL TANK BRACKET V6	1
18	CZC05844	3MM L GEARBOX CHAIN GUARD LHS V67 AND V89	1
19	CZC05846	3MM L CHAIN GUARD RHS V67 AND V89	1
20	QBV00019	V8950 COMPLETE ASSEMBLY	1

Bale Damper

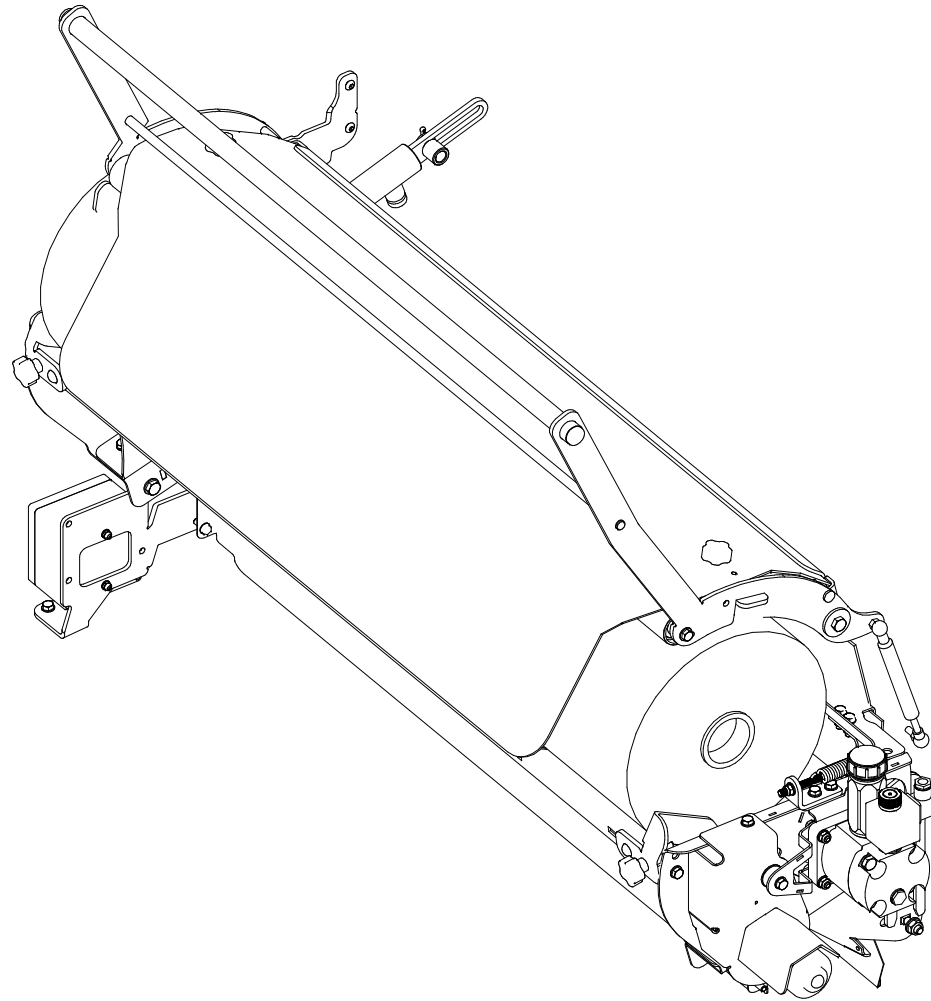


No.	Part No	Description	Qty
1	SPD01390	BALE KICKER COVER	

Bale Damper (1393)

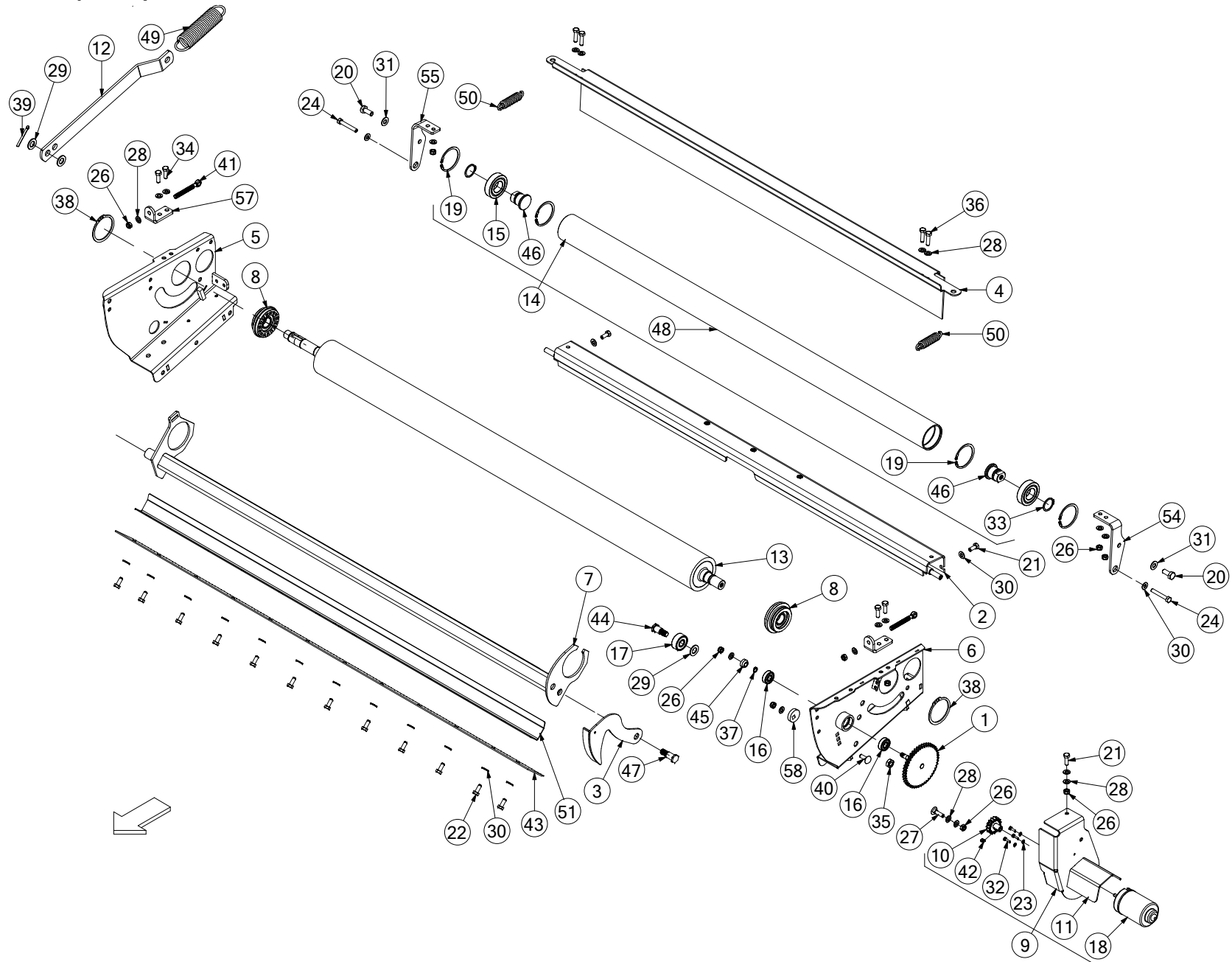


No.	Part No	Description	Qty
1	ABD00110	BALE KICKER CHANNEL TYPE COMP ASSY	1
2	ABD00108	BALE KICKER CHANNEL TYPE WELD ASSEMBLY	1
3	ABD00109	BALE KICKER CHANNEL WELD ASSEMBLY	2
4	ABD00112	BALE KICKER EXTENSION ASSEMBLY	2
5	ABD00123	16MM PIN ASSY BALE KICKER EXTENSIONS	1
6	ABD00130	KICKER AND ROLLER HINGE BRACKET RH ASSEMBLY	1
	[Up to Serial No. 809173]		
6	ABD00138	KICKER AND ROLLER HINGE BRACKET RH ASSEMBLY	1
	[From Serial No. 809174]		
7	ABD00129	KICKER AND ROLLER HINGE BRACKET LH ASSEMBLY	1
	[Up to Serial No. 809173]		
7	ABD00139	KICKER AND ROLLER HINGE BRACKET LH ASSEMBLY	1
	[From Serial No. 809174]		
8	ABD00140	BALE DAMPER SEAMLESS TUBE WELD ASSEM	1
9	ALA00660	SPRING ASSEMBLY BALE DAMPER V6	1
	[Up to Serial No. 809173]		
9	ALA01159	SPRING ASSEMBLY BALE DAMPER V67	1
	[From Serial No. 809174]		
10	ARC00507	V6 KICKER ROLLER LONG	1
11	CBE00413	BUFFER 16X50X15	1
12	CBR00339	IGUS FLANGE BEARING (MFM-2532-15)	1
13	CEL00767	SENSOR M18 E2A-M18KS08-M1-C1	1
14	CFA00021	SPLIT PIN 4X50 Z/P	1
15	CFA00024	SETSCREW M10X25 Z/P	6
16	CFA00123	NUT M10 NYLOC	10
17	CFA00128	NUT M16 NYLOC	1
18	CFA00140	WASHER FLAT 16MM Z/P	3
19	CFA00201	WASHER FLAT 10 MM Z/P	16
20	CFA00202	LINCH PIN 6MM	2
21	CFA00504	ROLL PIN 12X60 ZP	2
22	CFA00745	SETSCREW M10X25 BUTTON HEAD Z/P	2
23	CFA01007	CIRCLIP 25MM EXTERNAL DIN471	1
24	CFA02267	BOLT M16X120 CUPHEAD SQ Z/P	1
25	CFA02326	NUT M16 HEXAGON LOCK/HALF NUT	3
26	CFA02416	KICKER BOLT SPECIAL M16X430 8.8	1
27	CMH02363	BALE DAMPER MACHINED BUSH	2
28	CMH03108	STEPPED BUSH	1
29	CMH03143	PIN FOR M16 CLEVIS	1
30	CSG00225	SPRING COMP 10X52.5 O.DX360 V660	1
31	CTP00760	FORK CLEVIS M16	1
32	CZB04769	1.5MM L WASHER 38X25	2
33	CZD05179	4MM L KICKER EXTENSION PART	1
34	CZE04356	5MM L BALE KICKER EXTENSION	1
35	CZE04366	5MM L KICKER SPRING BRACKET PART	1
36	CZG02173	8MM L WASHER 16.5X50X8	1



No.	Part No	Description	Qty
1	SPD01391	NETTER	

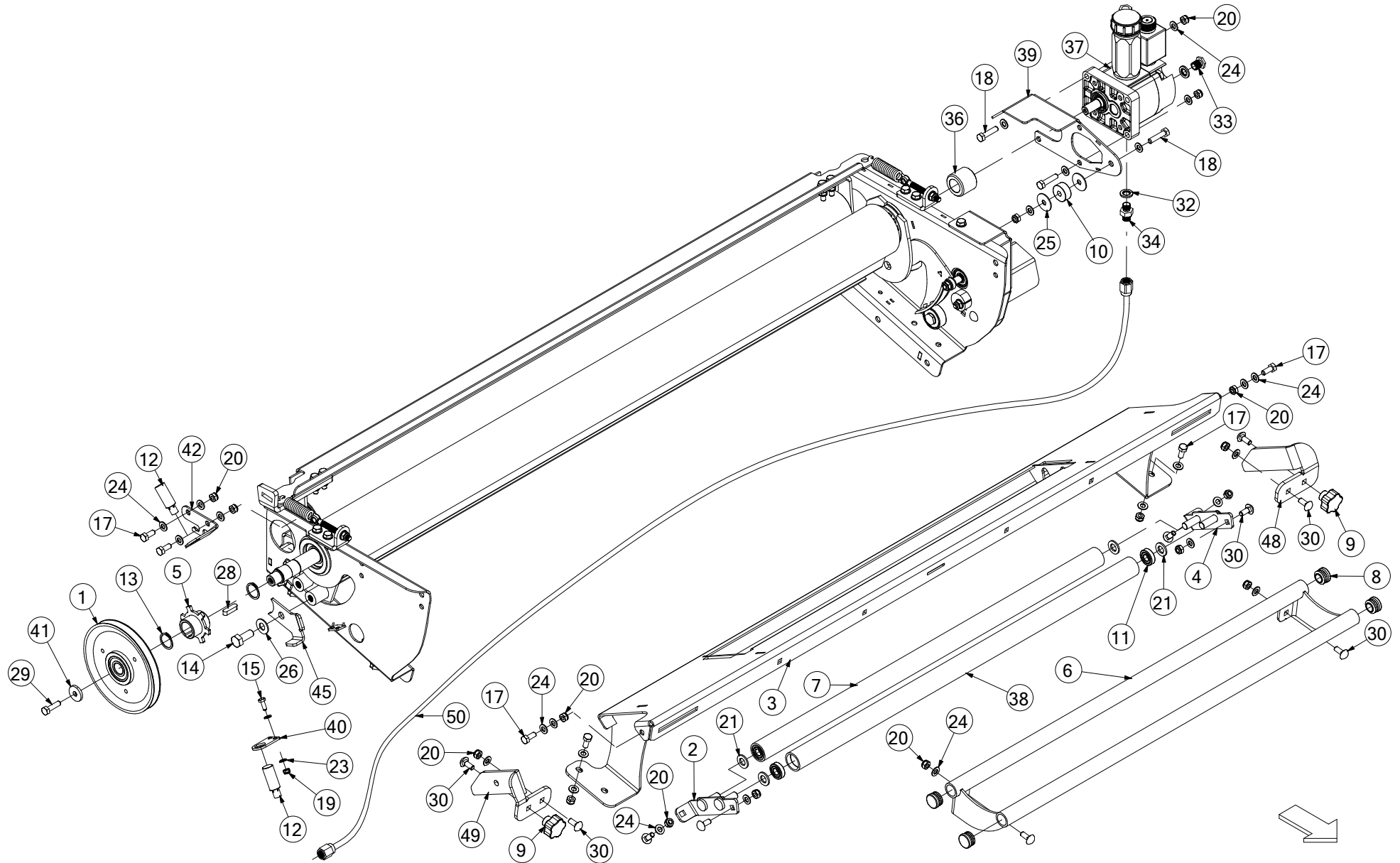
Netter unit 1 (1123)



No.	Part No	Description	Qty
1	ACH00279	PLATEWHEEL ASSY. NET UNIT	1
2	ANT00185	NET KNIFE CHANNEL GUARD	1
3	ACH00369	NET RELEASE UNIT ASSY.	1
3a	CST00920	BILL HOOK TRIPPED SIGNAL DECAL	1
4	ACH03016	1300MM NETTER ROLLER COVER ASSY	1
5	ANT00188	WIDE NETTER SIDE WELD ASM RH	1
6	ANT00189	WIDE NETTER SIDE WELD ASSEM LHS	1
7	ANT00186	KNIFE HOLDER DIRECT FEED WELD (1350MM)	1
8	ANT00079	NET KNIFE PIVOT BUSH C/W BEARING	2
9	ANT00117	MOTOR ASSY NET UNIT F3 PLUS	1
<i>INCLUDES ITEMS 10, 11, 18, 23, 32 & 42</i>			
10	ANT00139	10T MOD 2.5 SPUR GEAR NETTER	1
11	ANT00120	NETCUT MOTOR MOUNTING BRACKET	1
12	CZF08396	6MM NETTER PULL ARM	1
13	ARC00443	1350MM DRIVE ROLLER WIDE NET UNIT	1
<i>ALSO ORDER 2x NET KNIFE PIVOT BUSH C/W BEARING ANT00079 (ITEM 8) & 1x BUSH CMH01909</i>			
14	ARC00444	ROLLER NET UNIT BACK (1350MM)	1
15	CBR00024	BEARING 62062RS	2
16	CBR00067	BEARING 6201	2
17	CBR00081	BEARING CAM INA LR 5202 NPPU	1
<i>REPLACES CBR00273</i>			
18	CEL00991	MOTOR 12VOLT 2000RPM	1
19	CFA00002	CIRCLIP 62MM INTERNAL DIN 472	4
20	CFA00024	SETSCREW M10X25 Z/P	2
21	CFA00052	SETSCREW M8X20 Z/P	4
22	CFA00429	SCREW M8X20 BTN HEAD SOC HX ZP	12
23	CFA00083	WASHER FLAT 4MM Z/P	3
24	CFA00108	BOLT M8X55 Z/P	2
26	CFA00132	NUT M8 NYLOC Z/P	16
27	CFA00506	SETSCREW M8X20 CUPHEAD SQ ZP	2
28	CFA00147	WASHER FLAT 8MM Z/P	28
29	CFA00222	WASHER FLAT 14MM Z/P	3
30	CFA00249	WASHER SKM8	17
31	CFA00251	WASHER SKM10	2
32	CFA00391	SETSCREW M4X16 Z/P	3
33	CFA00402	CIRCLIP 30MM EXTERNAL	2
34	CFA00407	BOLT M8X25 Z/P	4
35	CFA00446	NUT M12 HEXAGON LOCK/HALF NUT	1
36	CFA00102	SETSCREW M8X25 Z/P	5
37	CFA00499	CIRCLIP 10MM EXTERNAL	1
38	CFA00501	CIRCLIP 65MM EXTERNAL	2
39	CFA00556	SPLIT PIN 6X50 Z/P	1
40	CFA00849	BOLT M8X30 CUPHEAD SQ Z/P	1
41	CFA00887	EYE BOLT M8X80	2
42	CFA01119	GRUBSCREW M5X6MM	2
43	CKN00024	NET KNIFE 1350MM (NEW TYPE)	1
44	CMH00672	BOLT SHOULDER 3/4" H	1
45	CMH00705	BUSH 10X25X10 NYLON	1
46	CMH01253	SHAFT STUB FOR ARC00205	2

47	CMH02869	THREADED 15MM SHANK BOLT W/T STEP	1
48	CMH02859	ROLLER NET UNIT 70X61X1310	1
49	CSG00226	SPRING EXT 4.47X37.5X176X26	1
50	CSG00231	SPRING EXT 3.66X20X80X15 B/C	2
51	CZB00385	1.5MM L KNIFE GUARD (1350MM)	1
54	CZE00210	5MM L NET UNIT BACK ROLLER BRCKT	1
55	CZE00211	5MM L NET UNIT BACK ROLLER BRCKT	1
57	CZF05677	6MM L SPRING BRACKET NET UNIT	2
58	CZJ00173	15MM L NET UNIT STOPPER PART	1

Netter unit 2 (1124)

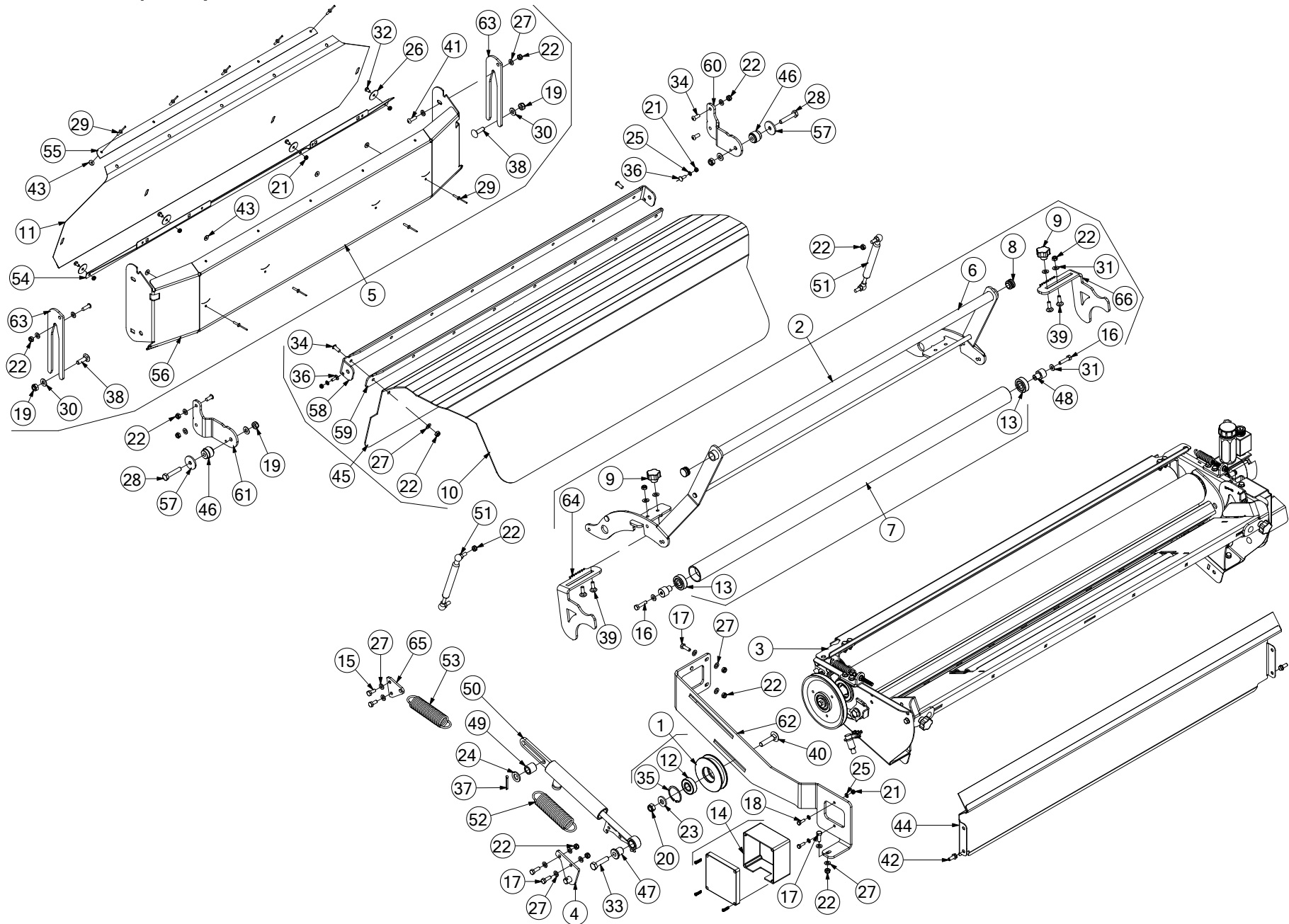


No.	Part No	Description	Qty
1	ANT00092	VARIO NET PULLEY WHEEL ASSEM 160 DIA <i>INCLUDES SEALED SPRAG CLUTCH BEARING</i>	1
2	ANT00131	FUNNEL ROLLER AXLE WELD ASSEM	1
3	ACH03018	FUNNEL PLATE WELD ASSEM (1350MM)	1
4	ANT00146	FUNNEL ROLLER AXLE WELD ASSEM (DS)	1
5	ANT00147	NET PULSE SENSOR WHEEL WELD ASSEM	1
6	ANT00143	DIRECT NET FEED CRADLE WELD VARIO <i>USED ON FUSION VARIO ONLY</i>	1
6	ANT00178	DIRECT NET FEED CRADLE WELD V6	1
7	ARC00365	NET ROLL GUIDE ROLLER ASSEM <i>INCLUDES ITEMS 11 & 38</i>	2
8	CBC00157	CAP PLASTIC INSERT 22.5MM	4
9	CBC00174	M8 X38 X 28 FEMALE HAND WHEEL	2
10	CBE00067	BUFFER 30X13X8.5 SHORE 57	1
11	CBR00309	BEARING 6001-2RS	4
12	CEL00767	SENSOR M18 E2A-M18KS08-M1-C1	2
13	CFA00001	CIRCLIP 25MM EXTERNAL Z/P	2
14	CFA00032	SETSCREW M12X30 Z/P	1
15	CFA00045	SETSCREW M6X16	2
17	CFA00052	SETSCREW M8X20 Z/P	9
18	CFA00055	BOLT M8X35 Z/P	5
19	CFA00131	NUT M6 NYLOC	2
20	CFA00132	NUT M8 NYLOC Z/P	34
21	CFA00138	WASHER FLAT 12MM Z/P	4
23	CFA00144	WASHER FLAT 6MM Z/P	4
24	CFA00147	WASHER FLAT 8MM Z/P	52
25	CFA00149	WASHER MUDWING 8X31.75 OD	2
26	CFA00250	WASHER SKM12	1
28	CFA00359	KEY 8X7X30	1
29	CFA00491	SETSCREW M8X30 Z/P	5
30	CFA00506	SETSCREW M8X20 CUPHEAD SQ ZP	11
32	CHY00015	WASHER DOWTY 1/4"	2
33	CHY02006	PLUG BLANKING 1/4" MALE	1
34	CHY02010	ADAPTOR 1/4" BSP M/M	1
36	CMH01909	24X30X30 MACHINED SUPPORT SLEEVE	1
37	CMT00336	PUMP ASSY COMBINED RELIEF VALV <i>USED ON V640 & V660 MODELS ONLY</i>	1
37	CMT00479	PUMP 8.5CC PROP HIGH STRETCH <i>USED ON V6740-V6750 BALERS & FUSION VARIO (REPLACES CMT00336)</i>	1
37a	CVA00408	VALVE PROP RELIEF CTE SAE10 NO	1
37b	CVA00454	FILLER CAP STRETCH PUMP TMDV-1	1
37c	CFA01081	KEY 4X4X25	1
38	CXT00797	33.7X4X800 TUBE	2
39	CZC05726	3MM L STRETCH PUMP BRACE PLATE FORMED	1
40	CZC04877	3MM PROXIMITY SENSOR BOLT ON BRKT	1
41	CZD02678	4MM L WASHER PART NET UNIT	1
42	CZC05249	3MM L PROXIMITY SENSOR MOUNT PLATE	1
45	CZD04862	4MM L SENSOR BRACKET KNIFE CUT - ANT00044	1
48	CZF06947	6MM L NET ROLL STOP LHS	1
49	CZF06948	6MM L NET ROLL STOP RHS	1

50 CHY00934 PRESSURE GAUGE HOSE 1800MM

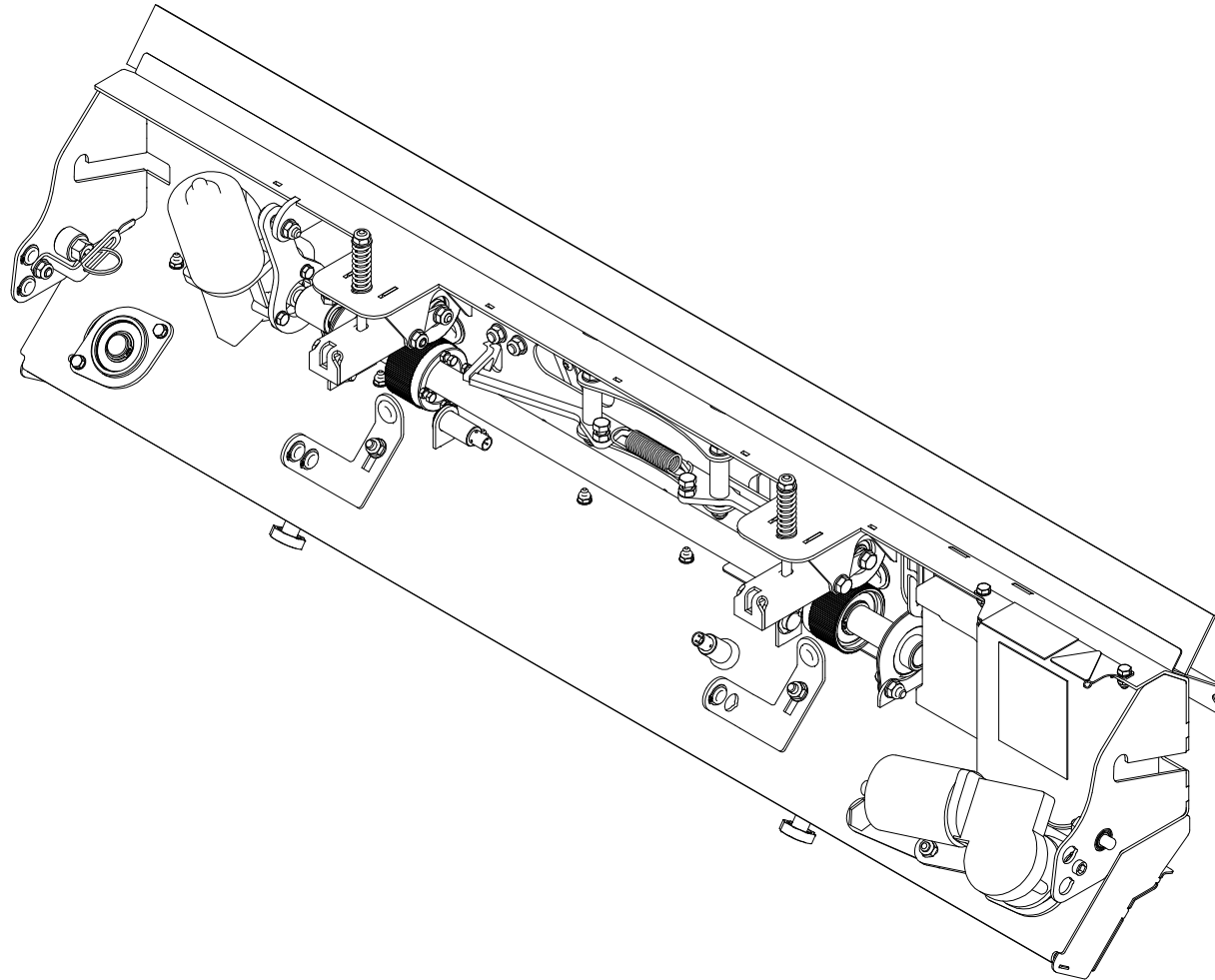
1

Net tensioner (1125)



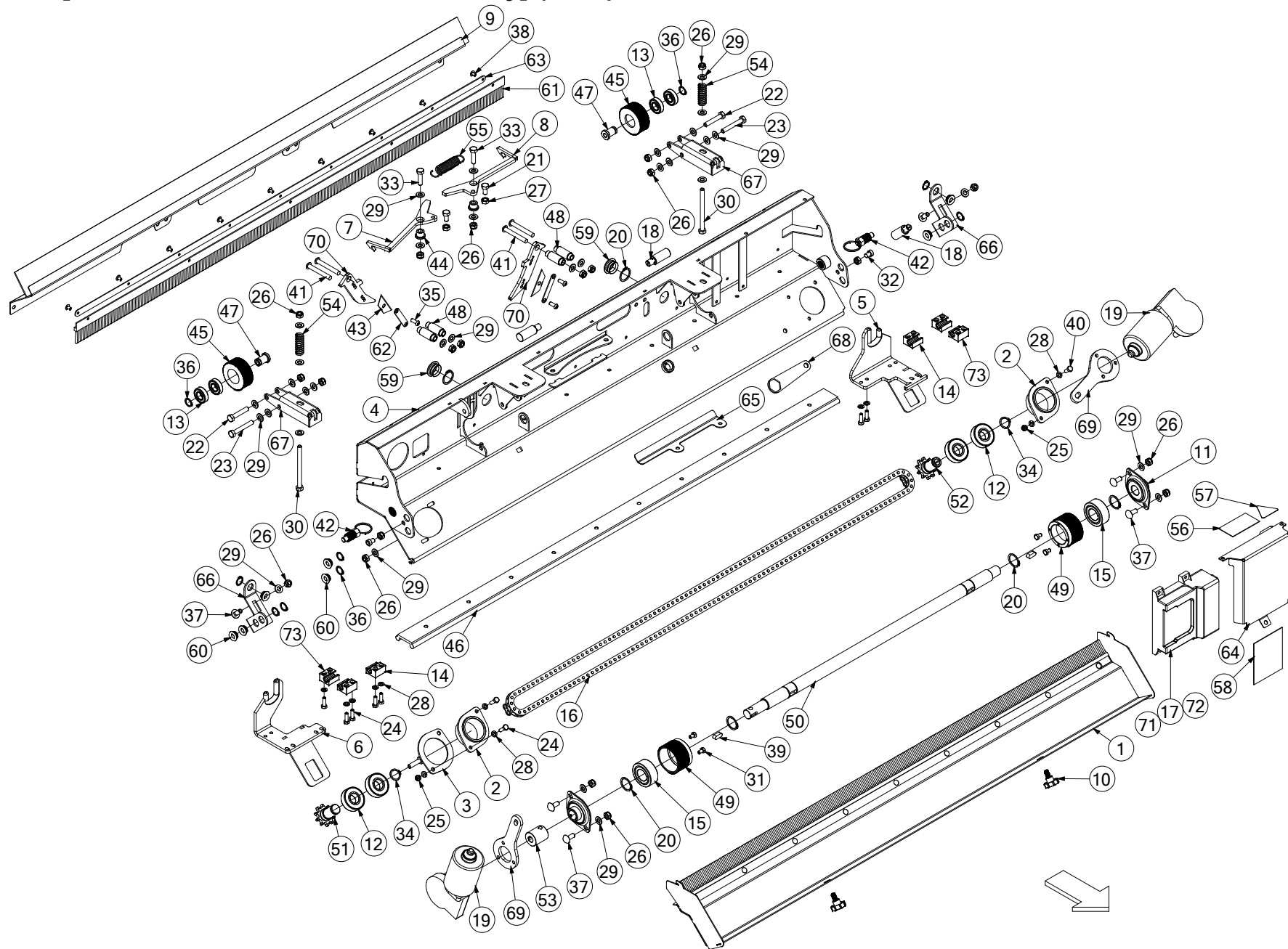
No.	Part No	Description	Qty
1	ANT00004	PULLEY WHEEL BELT TENSIONER ASSY <i>INCLUDES BEARING & CIRCLIP</i>	1
2	ANT00130	CLAMP BAR WELD ASSEM	1
3	ANT00184	DIRECT FEED NETTER 1350MM ROLLER	1
4	ANT00195	KNIFE PULL ARM PIVOT ASSEM	1
5	ANT00197	V6 BULLBAR PLATE ASSEMBLY <i>COMPLETE BULLBAR PLATE ASSEMBLY</i>	1
6	ANT00208	NET BRAKE UNIT (ANT00184) <i>NET BRAKE BAR ASSEMBLY</i>	1
7	ARC00350	ROLLER FOR ANT00044 NETTER <i>INCLUDES BEARINGS (ITEM 13)</i>	1
8	CBC00157	CAP PLASTIC INSERT 22.5MM	2
9	CBC00174	M8 X38 X 28 FEMALE HAND WHEEL	2
10	CBE00274	3MM TRANSPARENT PVC SHEET	1
11	CBE00280	CANVAS SHEET TAPERED BULLBAR PLATE <i>USED ON FUSION VARIO ONLY</i>	1
11	CBE00362	CANVAS SHEET TAPERED BULLBAR PLATE <i>USED ON V6 BALERS ONLY</i>	1
12	CBR00020	BEARING 6204 2RS	1
13	CBR00283	BEARING 6302 2RS	2
14	CEL00883	JUNCTION BOX ABS PLASTIC GREY (120X120X80)	1
15	CFA00052	SETSCREW M8X20 Z/P	2
16	CFA00055	BOLT M8X35 Z/P	2
17	CFA00102	SETSCREW M8X25 Z/P	5
18	CFA00115	SETSCREW M6X20 Z/P	2
19	CFA00123	NUT M10 NYLOC	4
20	CFA00124	NUT M12 NYLOC	1
21	CFA00131	NUT M6 NYLOC	8
22	CFA00132	NUT M8 NYLOC Z/P	23
23	CFA00139	WASHER FLAT 12MM H/D Z/P	1
24	CFA00140	WASHER FLAT 16MM Z/P	1
25	CFA00144	WASHER FLAT 6MM Z/P	6
26	CFA00145	WASHER MUDWING M6 32MM OD	4
27	CFA00147	WASHER FLAT 8MM Z/P	28
28	CFA00156	BOLT M10X55	2
29	CFA00198	POP RIVET 4.8X 14MM Z/P	9
30	CFA00201	WASHER FLAT 10 MM Z/P	6
31	CFA00249	WASHER SKM8	6
32	CFA00269	SETSCREW M6X10 Z/P	4
33	CFA00272	BOLT M12X50 Z/P	1
34	CFA00429	SETSCREW M8X20 BUTTON HEAD Z/P	12
35	CFA00458	47MM INTERNAL CIRCLIP DIN 472	1
36	CFA00468	BOLT M6 X16 CUP SQ Z/P	2
37	CFA00475	SPLIT PIN 5X40 Z/P	1
38	CFA00539	BOLT M10X35 CUP HEAD SQ Z/P	2
39	CFA00591	BOLT M8X25 CUP SQ Z/P	4
40	CFA00670	BOLT M12X55 CUP SQ Z/P	1
41	CFA00274	BOLT M8X25 BTN HEAD SOC CAP Z/P	2
42	CFA00766	SETSCREW M8X20 FLANGED DIN6921 Z/P	2
43	CFA01059	WASHER MUD WING M5 X 15 OD	9

44	CGD00285	WIND GUARD V6 POWER STRETCH NETTER <i>USED ON V6 ONLY (AS SHOWN)</i>	1
44	CGD00347	WIND GUARD ASSY NET ARM <i>USED ON FUSION VARIO ONLY (NOT SHOWN)</i>	1
45	CGD00402	V6 / VARIO DIRECT FEED NETTER COVER <i>COMPLETE NETTER COVER ASSEMBLY</i>	1
46	CMH01212	BUSH 10.5X30X36 STEPPED 25	2
47	CMH01214	BUSH 12.5X20X27 STEPPED Z/P	1
48	CMH01385	BUSH 25X35 STEPPED 15	2
49	CMH02890	SPACER BUSH 25X25X15.5	1
50	CRA00652	KNIFE RESET RAM V6 VARIO	1
51	CRA00747	800N GAS STRUT ASSEM (8/19/100)	2
52	CSG00017	SPRING EXT 4.47X40.6X176X26	1
53	CSG00226	SPRING EXT 4.47X37.5X176X26	1
54	CZB02513	1.5MM L CANVAS MOUNT V6 SERIES	1
55	CZB04500	1.5MM RETAINING STRIP	1
56	CZC04906	3MM L TAPERED BULLBAR PLATE (V80)	1
57	CZD00118	4MM L CUT& TIE SPACER	2
58	CZD00265	4MM COVER PLATE	1
59	CZD04784	4MM NETTER COVER CLAMP PLATE	1
60	CZF00322	6MM L BRAKE BAR HINGE PLATE DS (EXTERNAL)	1
61	CZF00323	6MM L BRAKE BAR HINGE PLATE NDS (EXTERNAL)	1
62	CZF06586	6MM TENSIONER BRKT/BOX MOUNT	1
63	CZF07094	6MM L SPACER PLATE	2
64	CZF08389	6MM NET STOP RHS 1350MM ROLLER	1
65	CZF08398	6MM L NET PULL SPRING MOUNT	1
66	CZF08416	6MM NET STOP LHS 1350MM ROLLER	1



No.	Part No	Description	Qty
1	SPD01392	NETTER	1

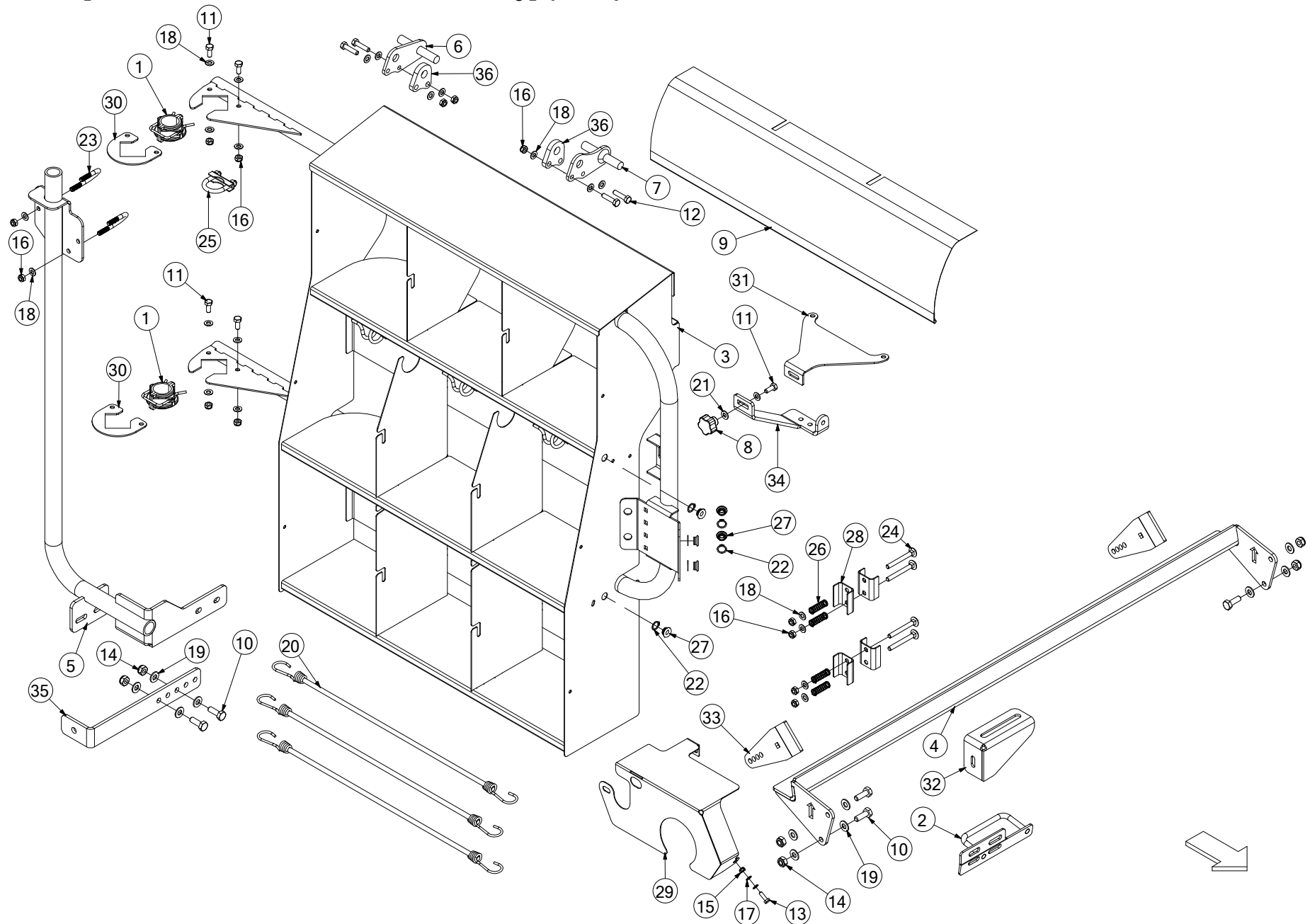
Twiner 1 [Available in selected markets only] (1034)



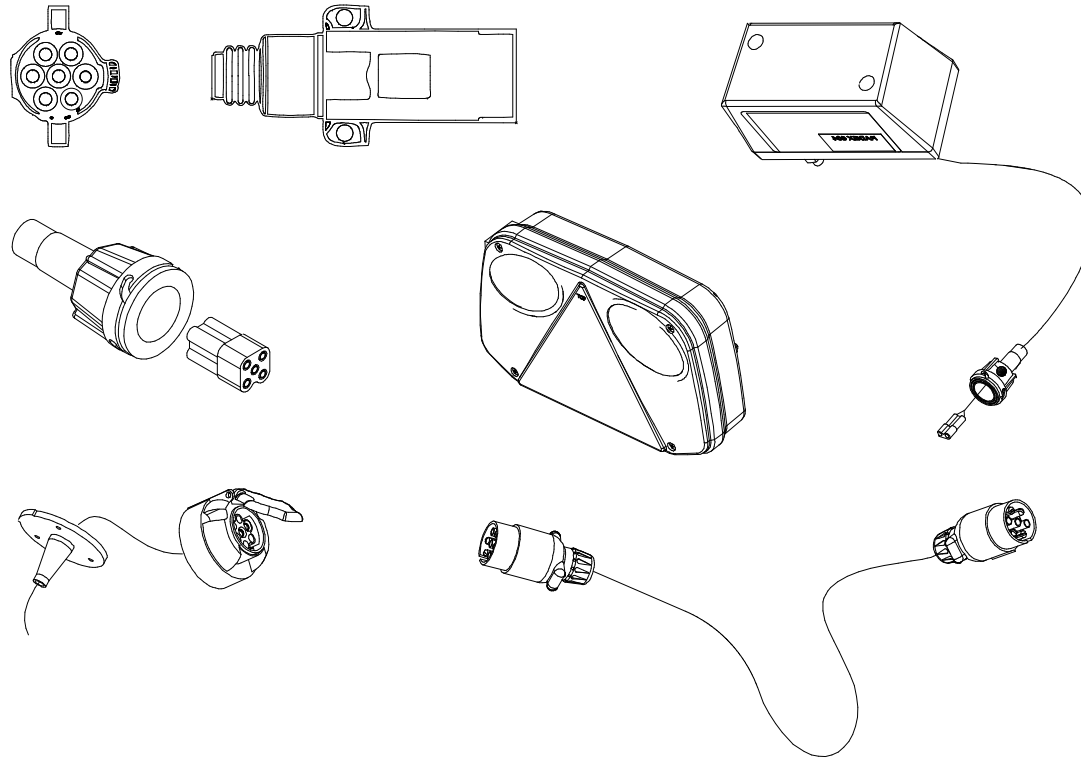
No.	Part No	Description	Qty
0	ANT00155	TWINE SYSTEM ASSY TWO CARRIAGE	1
1	AGD00082	DUST COVER TWINER COMPLETE	1
2	ANT00040	DOUBLE BEARING HOUSING TWINER	2
3	ANT00099	CHAIN ADJUSTER V6 SERIES TWINER	1
4	ANT00154	TWINE SYSTEM FRAME TWO CARRIAGE	1
5	ANT00156	TWINE SYSTEM CARRIAGE RT	1
6	ANT00157	TWINE SYSTEM CARRIAGE LT	1
7	UWP00279	TWINE SYSTEM HOOK KIT	1
<i>KIT INCLUDES BOTH HOOKS, ITEMS 7 & 8 PLUS ALL MOUNTING FASTENERS & SPRING (REPLACES ANT00158)</i>			
8	UWP00279	TWINE SYSTEM HOOK KIT	1
<i>KIT INCLUDES BOTH HOOKS, ITEMS 7 & 8 PLUS ALL MOUNTING FASTENERS & SPRING (REPLACES ANT00162)</i>			
9	ANT00173	TWINE SYSTEM TOP COVER	1
10	CBC00175	HAND WHEEL M8X15	2
11	CBR00004	BEARING 20MM 2BOLT P/S FLANGE	2
12	CBR00020	BEARING 6204 2RS	4
13	CBR00063	BEARING 6002 2RS	4
14	CBR00124	IGUS LINEAR TRACK BEARING ASSY	4
15	CBR00128	CSK25P-2RS TWINE SYSTEM ONLY	2
16	CCH00192	1/2" CHAIN 180 PIN INC 2 DOUBLE LINK	1
17	CEL00706	CAN MODULE HBM FUSION2 S/HU/322-5-001	1
18	CEL00767	SENSOR M18 E2A-M18KS08-M1-C1	3
19	CEL01634	TWINE MOTOR, 2500MM WITH CONNECTORS	2
20	CFA00001	CIRCLIP 25MM EXTERNAL Z/P	6
21	CFA00101	SETSCREW M8X16 Z/P	2
22	CFA00106	BOLT M8X45 Z/P	2
23	CFA00108	BOLT M8X55 Z/P	2
24	CFA00115	SETSCREW M6X20 Z/P	14
25	CFA00131	NUT M6 NYLOC	4
26	CFA00132	NUT M8 NYLOC Z/P	21
27	CFA00133	NUT M8 Z/P	2
28	CFA00144	WASHER FLAT 6MM Z/P	20
29	CFA00147	WASHER FLAT 8MM Z/P	33
30	CFA00226	BOLT M8X100 Z/P	2
31	CFA02385	BOLT SETSCREW M5X16 Z/P	8
31	CFA00296	NUT M5 STD Z/P	8
32	CFA00292	SETSCREW M8X10 SOC CAP ZP	2
33	CFA00316	BOLT M8X30 Z/P	2
34	CFA00339	CIRCLIP 20MM EXTERNAL	2
35	CFA00427	SETSCREW M6X16 BUTTON HEAD Z/P	4
36	CFA00463	CIRCLIP 15MM EXTERNAL Z/P DIN 471	9
37	CFA00506	SETSCREW M8X20 CUPHEAD SQ ZP	6
38	CFA00830	POP RIVET ALU DIA 4.8 - 9.5 - 11.1	18
39	CFA00912	KEY 8X7X15 DIN6885A	2
40	CFA00982	BOLT M6X16 Z/P	2
41	CFA01124	SETSCREW M8X60 BUTTON HEAD Z/P	4
42	CFA02325	M16 INDEX PLUNGER	2
43	CKN00011	KNIFE STANLEY BLADE CUT&HOLD	4
44	CMH00742	BUSH 8X20X13 ZINC PLATED	2
45	CMH01583	BUSH 60X28X25 ROLLER TWINER V6	2

46	CMH01584	40MM IGUS TRACK TWINER V6	1
47	CMH01586	BUSH 20X8X27 STEPPED TWINER	2
48	CMH01587	BUSH 16X8X45 STEPPED TWINER	4
49	CMH01598	60MM BUSH TWINE DRIVE V6 SERIES	2
50	CMH01750	TWINE SYSTEM MOTOR FEED SHAFT	1
51	CMH01772	SPROCKET 1/2" 10 TOOTH STEPPED SHAFT	1
52	CMH01773	SPROCKET 1/2" 10 TOOTH STEPPED SHAFT	1
53	CMH01775	BUSH 40X12X30 MOTOR ADAPTOR	1
54	CSG00033	SPRING COMP 2.5WDX15ODX9 COIL	2
55	CSG00267	SPRING EXT 2X18.5X85X25	1
56	CST00248	DECAL WARNING DO NOT POWERWASH	1
57	CST00249	DECAL ELECTRICAL HAZARD	1
58	CST00921	FRENCH DO NOT WELD DECAL	1
59	CTP00439	EYELET TWINE GUIDE V6	2
60	CTP00494	EYELET TWINE E421 9.8MM	7
61	CTP00515	TOP BRUSH DUST COVER TWINER	2
62	CZB02609	1.5MM L KNIFE HOLDER TWINE SYSTEM	4
63	CZB02614	1.5MM L TWINE BRUSH STRIP	2
64	CZB02627	1.5MM L ECU COVER TWINER	1
65	CZB02633	1.5MM L CABLE COVER TWINER	1
66	CZC03790	3MM L GUIDE TWINER V6 SERIES	2
67	CZC03874	3MM L TWINE TENSION HANDLE V6 SERIES	2
68	CZC05330	3MM L SENSOR SPANNER V6 TWINE	1
69	CZF03725	6MM L MOTOR MOUNT TWINE SYSTEM	2
70	CZF03728	6MM L KNIFE HOLDER TWINE SYSTEM	2
71	CEL00708	POWER CABLE H-BRIDGE MODULE	1
72	CEL01617	TWINER CAN MODULE LOOM MK2	1
73	CBR00131	IGUS LINEAR FLOATING BEARING ASSY	2

Twiner 2 [Available in selected markets only] (1035)

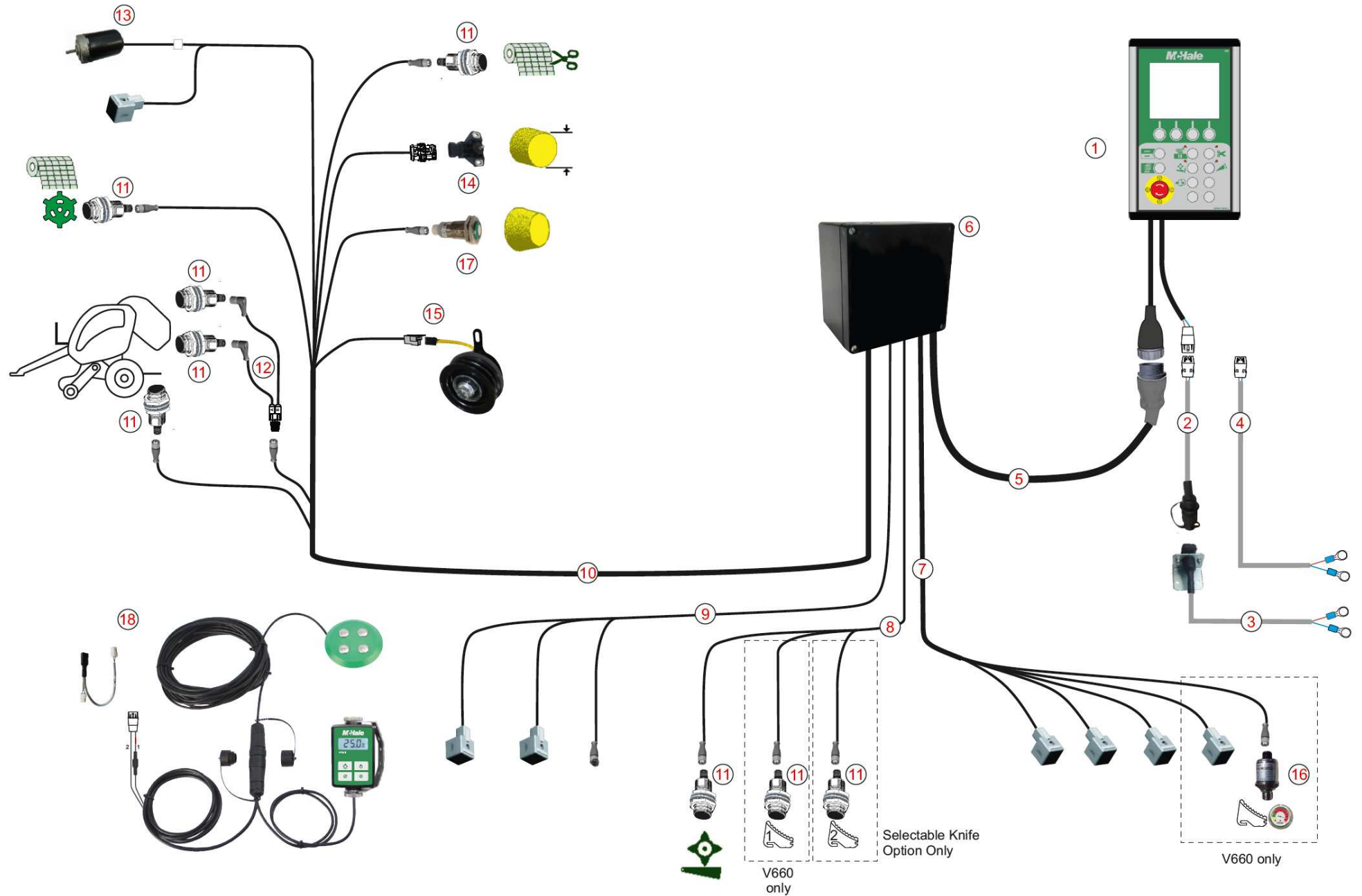


No.	Part No	Description	Qty
0	ANT00107	TWINE BOX AND ANGLE V6 SERIES	1
<i>COMPLETE ASSEMBLY OF ALL ITEMS ON PAGE</i>			
1	ALA00177	BUSHING CENTER (ASSY) REEL	2
2	ALA00900	DOOR LOCK BRACKET V6 TWINE	1
3	ANT00102	TWINE BOX V6 SERIES	1
4	ANT00103	ANGLE BAR ROLLER V6 SERIES	1
5	ANT00207	TWINER HANGING BRACKET PART	1
<i>USED ON V6740/V6750 MACHINES ONLY</i>			
6	ANT00212	DOOR PANEL BRACKET FOR TWINER	1
<i>USED ON V6740/V6750 MACHINES ONLY</i>			
7	ANT00213	DOOR PANEL FRONT BRACKET FOR TWINER	1
<i>USED ON V6740/V6750 MACHINES ONLY</i>			
8	CBC00174	M8 X38 X 28 FEMALE HAND WHEEL	1
9	CBE00285	CANVAS TWINE COVER ANT00102	1
10	CFA00025	SETSCREW M10X30	6
11	CFA00052	SETSCREW M8X20 Z/P	5
12	CFA00107	BOLT SETSCREW M8X35 Z/P	4
13	CFA00115	SETSCREW M6X20 Z/P	1
14	CFA00123	NUT M10 NYLOC	6
15	CFA00131	NUT M6 NYLOC	1
16	CFA00132	NUT M8 NYLOC Z/P	16
17	CFA00144	WASHER FLAT 6MM Z/P	2
18	CFA00147	WASHER FLAT 8MM Z/P	25
19	CFA00201	WASHER FLAT 10 MM Z/P	12
20	CFA00205	STRETCH CABLE ELASTIC	3
21	CFA00249	WASHER SKM8	1
22	CFA00463	CIRCLIP 15MM EXTERNAL Z/P DIN 471	6
23	CFA00943	U-BOLT M8X1.25X45X55 FOR 33.7 TUBE	2
<i>USED ON V6740/V6750 MACHINES ONLY</i>			
24	CFA01054	BOLT M8X70 CUPHEAD SQ Z/P	4
25	CFA02314	35MM EXHAUST CLAMP	1
26	CSG00307	SPRING COMP 1.0X14X40X8	4
27	CTP00494	EYELET TWINE E421 9.8MM	6
28	CZB02529	2MM L TWINE TENSIONER STAINLESS	4
29	CZB02613	1.5MM L ROTOR CHAIN GUARD	1
30	CZC03866	3MM L TWINE BOX V6 SERIES	2
31	CZC03867	3MM L TWINE BOX BRACKET V6 SERIES	1
32	CZD05558	DOOR BUFFER BRACKET FRONT TWINER V67 AND V89	1
33	CZF03778	6MM L ROLLER STOP BRACKET	2
34	CZF03791	6MM L TWINE BOX BRACKET	1
<i>USED ON V640/V660 MACHINES ONLY</i>			
34	CZF09167	6MM L TWINE BOX BRACKET WIDE NETTER	1
<i>USED ON V6740/V6750 MACHINES ONLY</i>			
35	CZF09163	6MM L TWINER HANGING BRACKET PART	1
<i>USED ON V6740/V6750 MACHINES ONLY</i>			
36	CZH09012	10MM L HINGE BRACKET PART V6	2
<i>USED ON V6740/V6750 MACHINES ONLY</i>			



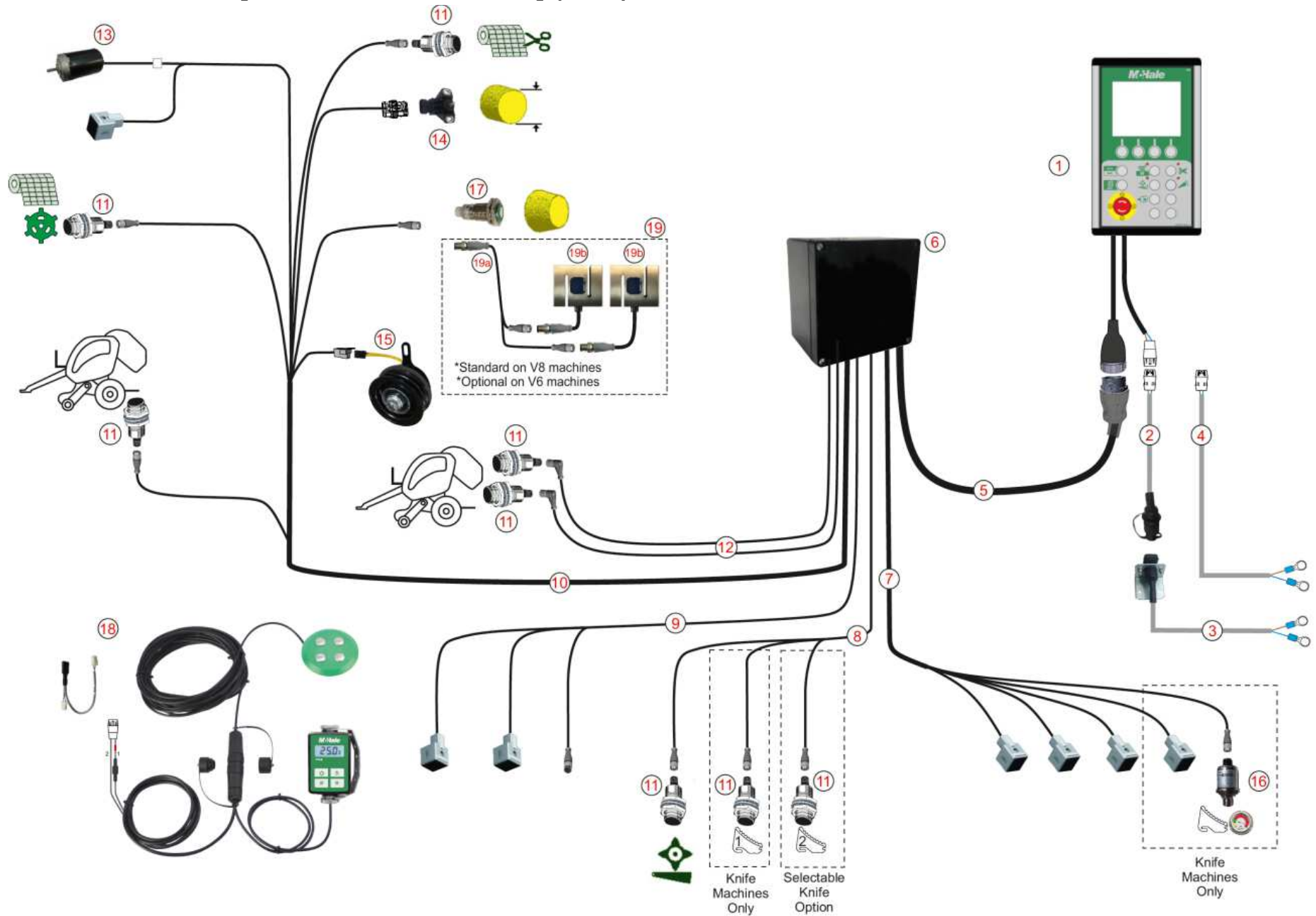
No.	Part No	Description	Qty
	SPD01193	ELECTRICS	

Electrical control V6 [Serial No 805001 to 808431] (1027)



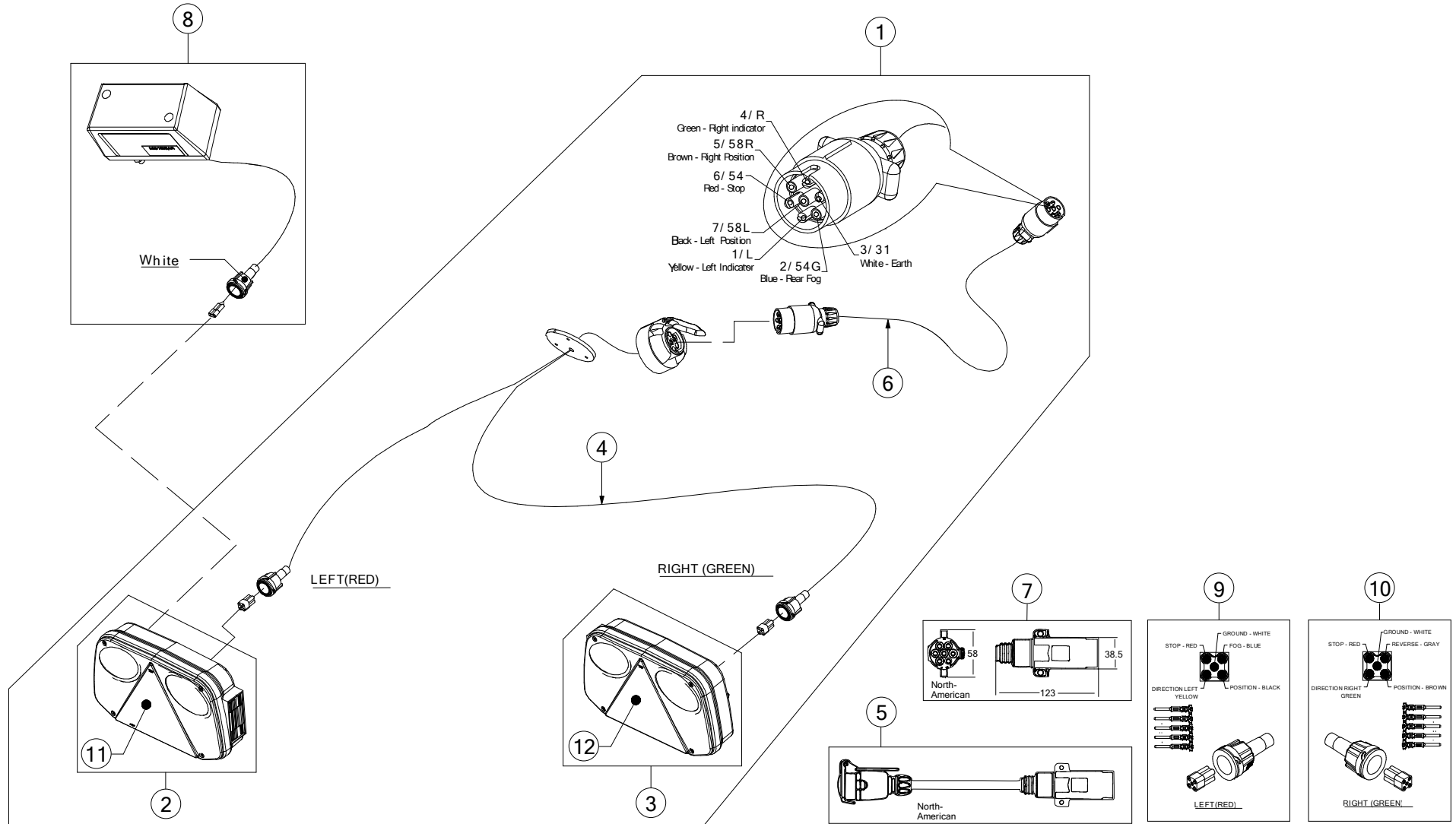
No.	Part No	Description	Qty
1	CEL01553	CONTROL BOX EXPERT PLUS 3 V6	1
2	CEL00064	LOOM COBO WHITE CON EURO LEAD	1
3	CEL00010	EURO SOCKET TO BATT POWER LEAD	1
4	CEL00031	BATTERY POWER LEAD CTRL BOX DIRECT	1
5	CEL00904	V6 MK3 MAIN LOOM	1
6	CEL00883	JUNCTION BOX ABS PLASTIC GREY (120X120X80)	1
7	CEL00906	V6 MK3 KNIFE/FLOOR VALVE LOOM	1
<i>V660 ONLY</i>			
7	CEL00911	V6 MK3 FLOOR VALVE LOOM	1
<i>V640 ONLY</i>			
8	CEL00905	V6 MK3 KNIFE/FLOOR SENSOR LOOM	1
<i>STANDARD V640 & V660</i>			
8	CEL00910	V6 MK3 SELECT KNIFE SENS LOOM	1
<i>SELECTABLE KNIFE MACHINE ONLY</i>			
9	CEL00907	V6 MK3 DENSITY VALVE LOOM	1
10	CEL01558	V6 MK4 CHAMBER LOOM	1
11	CEL00767	SENSOR M18 PROX M12 PLUG	7
<i>QTY IS 6 ON A V640 & 8 ON A V660 WITH SELECTABLE KNIVES</i>			
12	CEL00915	PROXIMITY SENSOR SPLITTER, NPN	1
13	CEL00991	MOTOR 12VOLT 2000RPM	1
14	CEL00785	ANGLE SENSOR 12V 120DEG 0.5-4.5VOLT	2
15	CEL00259	MAGNETIC CLUTCH UNIT 12V	1
16	CEL00304	PRESSURE TRANSMITTER 0-250BAR M12	1
<i>USED ON V660 ONLY</i>			
17	CEL00947	ULTRASONIC SENSOR, SN-300MM	1
18	KST00094	BALER MOISTURE SENSER KIT COMP	1
18a	CEL01589	MOISTURE SENSOR PAD	1
18b	CEL01822	MOISTURE SENSOR CABLE & CONNECTOR	1
<i>COIL OF CABLE WITH CONNECTOR GOING FROM SENSOR PAD TO TRACTOR CAB</i>			
18c	CEL00034	2-WAY AMP SPLITTER CABLE	1

Electrical control V6 [From Serial No 808432] (1126)



No.	Part No	Description	Qty
1	CEL01553	CONTROL BOX EXPERT PLUS 3 V6	1
2	CEL00064	LOOM COBO WHITE CON EURO LEAD	1
3	CEL00010	EURO SOCKET TO BATT POWER LEAD	1
4	CEL00031	BATTERY POWER LEAD CTRL BOX DIRECT	1
5	CEL01754	V6 MK5 MAIN LOOM	1
6	CEL00883	JUNCTION BOX ABS PLASTIC GREY (120X120X80)	1
7	CEL00906	V6 MK3 KNIFE/FLOOR VALVE LOOM	1
<i>V6750 & V8950 ONLY</i>			
7	CEL00911	V6 MK3 FLOOR VALVE LOOM	1
<i>V6740 & V8940 ONLY</i>			
8	CEL00905	V6 MK3 KNIFE/FLOOR SENSOR LOOM	1
<i>STANDARD V6740, V6750, V8940 & V8950</i>			
8	CEL00910	V6 MK3 SELECT KNIFE SENS LOOM	1
<i>SELECTABLE KNIFE MACHINE ONLY</i>			
9	CEL00907	V6 MK3 DENSITY VALVE LOOM	1
10	CEL01824	V6 MK5 CHAMBER & SHAPE LOOM	1
<i>REPLACES CEL01758</i>			
11	CEL00767	SENSOR M18 PROX M12 PLUG	7
<i>QTY IS 6 ON A V6740, V8940 & 8 ON A V6750, V8950 WITH SELECTABLE KNIVES</i>			
12	CEL01757	V6 DOOR LOCK SENSORS LOOM	1
13	CEL00991	MOTOR 12VOLT 2000RPM	1
14	CEL00785	ANGLE SENSOR 12V 120DEG 0.5-4.5VOLT	2
15	CEL00259	MAGNETIC CLUTCH UNIT 12V	1
16	CEL00304	PRESSURE TRANSMITTER 0-250BAR M12	1
<i>USED ON V6750 & V8950 ONLY</i>			
17	CEL00947	ULTRASONIC SENSOR, SN-300MM	1
18	KST00094	BALER MOISTURE SENSER KIT COMP	1
<i>COMPLETE KIT</i>			
18a	CEL01589	MOISTURE SENSOR PAD	1
18b	CEL01822	MOISTURE SENSOR CABLE & CONNECTOR	1
<i>COIL OF CABLE WITH CONNECTOR GOING FROM SENSOR PAD TO TRACTOR CAB</i>			
18c	CEL00034	2-WAY AMP SPLITTER CABLE	1
19	KST00161	LOAD CELL BALE SHAPE INDICATOR KIT	1
<i>STANDARD ON V89 FROM SERIAL No 809467 & OPTIONAL ON V67 FROM SERIAL No 809895</i>			
19a	CEL01825	BALE SHAPE SENSOR SPLITTER LOOM	1
<i>STANDARD ON V89 FROM SERIAL No 809467 & OPTIONAL ON V67 FROM SERIAL No 809895</i>			
19b	CEL01794	1000KG TENSION LOAD CELL 4-20MA	2
<i>STANDARD ON V89 FROM SERIAL No 809467 & OPTIONAL ON V67 FROM SERIAL No 809895</i>			

Light Kit (1369)



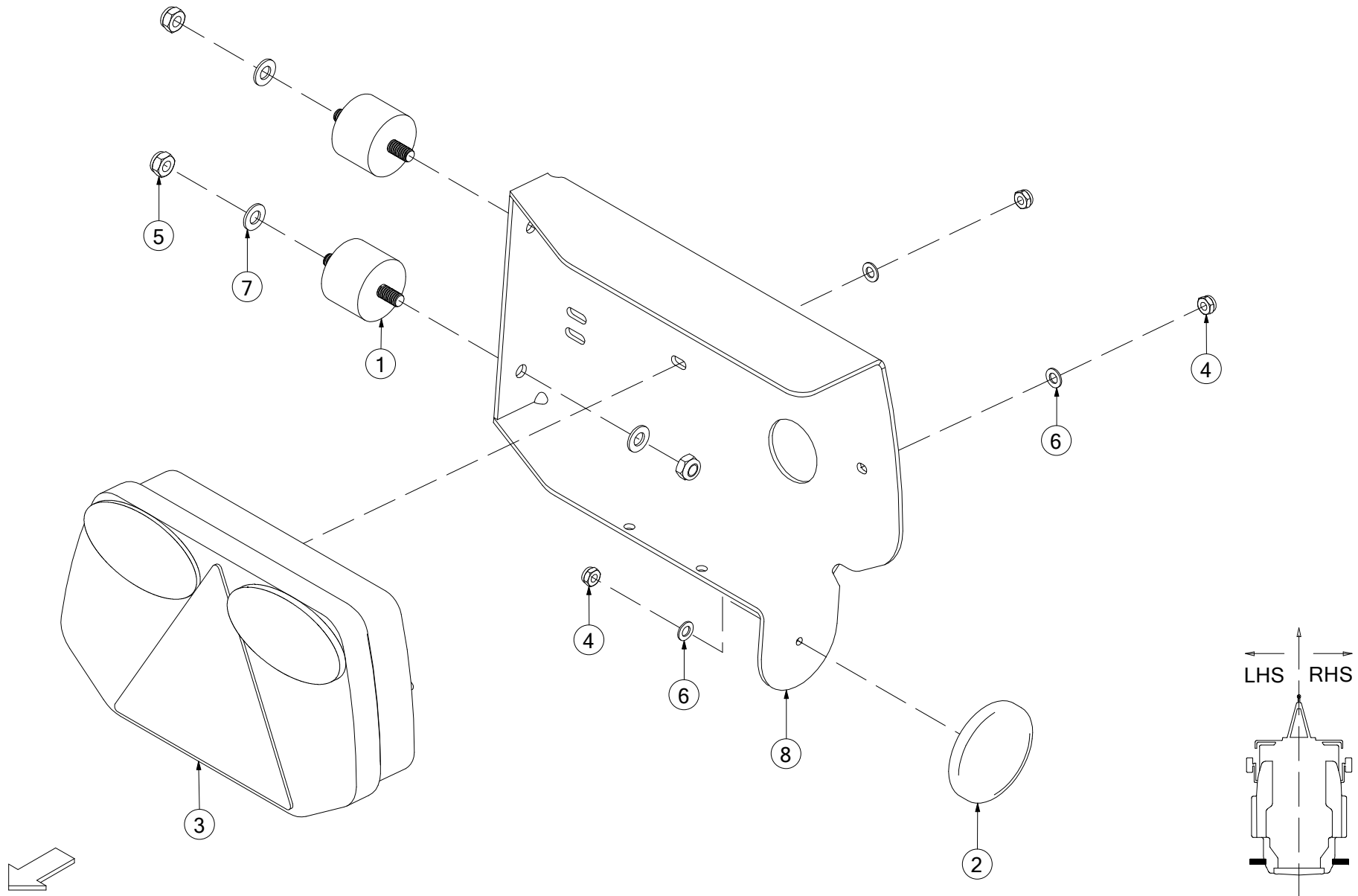
No.	Part No	Description	Qty
1	CEL00943	ELECTRICAL LIGHTING KIT- RADEX	1
2	CEL00700	TAIL LIGHT RADEX LEFT	1
3	CEL00701	TAIL LIGHT RADEX RIGHT	1
4	CEL01829	LOOM REAR 5.1M LHS/RHS COONECTOR RAKE	1
5	CEL01505	LIGHT LOOM ADAPTER (USA)	1
<i>North American Adaptor</i>			
6	CEL00765	LIGHTING LOOM EXT (RADEX)	1
6	CEL01568	LIGHT LOOM EXTENSION, 3000MM, USA	1
<i>North American Extension Loom</i>			
7	CEL01587	7 PIN LIGHTING PLUG SAE J560	1
<i>North American Plug</i>			
8	CEL01662	REG LIGHT TYPE APPROVED 900MM	1
8	CEL01663	REG LIGHT TYPE APPROVED 1300MM	1
9	CEL00951	RADEX RED PLUG KIT (LEFT)	1
10	CEL00950	RADEX GREEN PLUG KIT (RIGHT)	1
11	CEL00788	LIGHT LENS RADEX 2800 LEFT	1
12	CEL00787	LIGHT LENS RADEX 2800 RIGHT	1

Camera & monitor kit (1079)



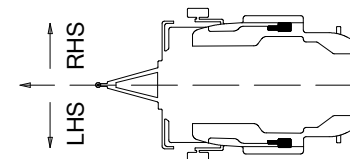
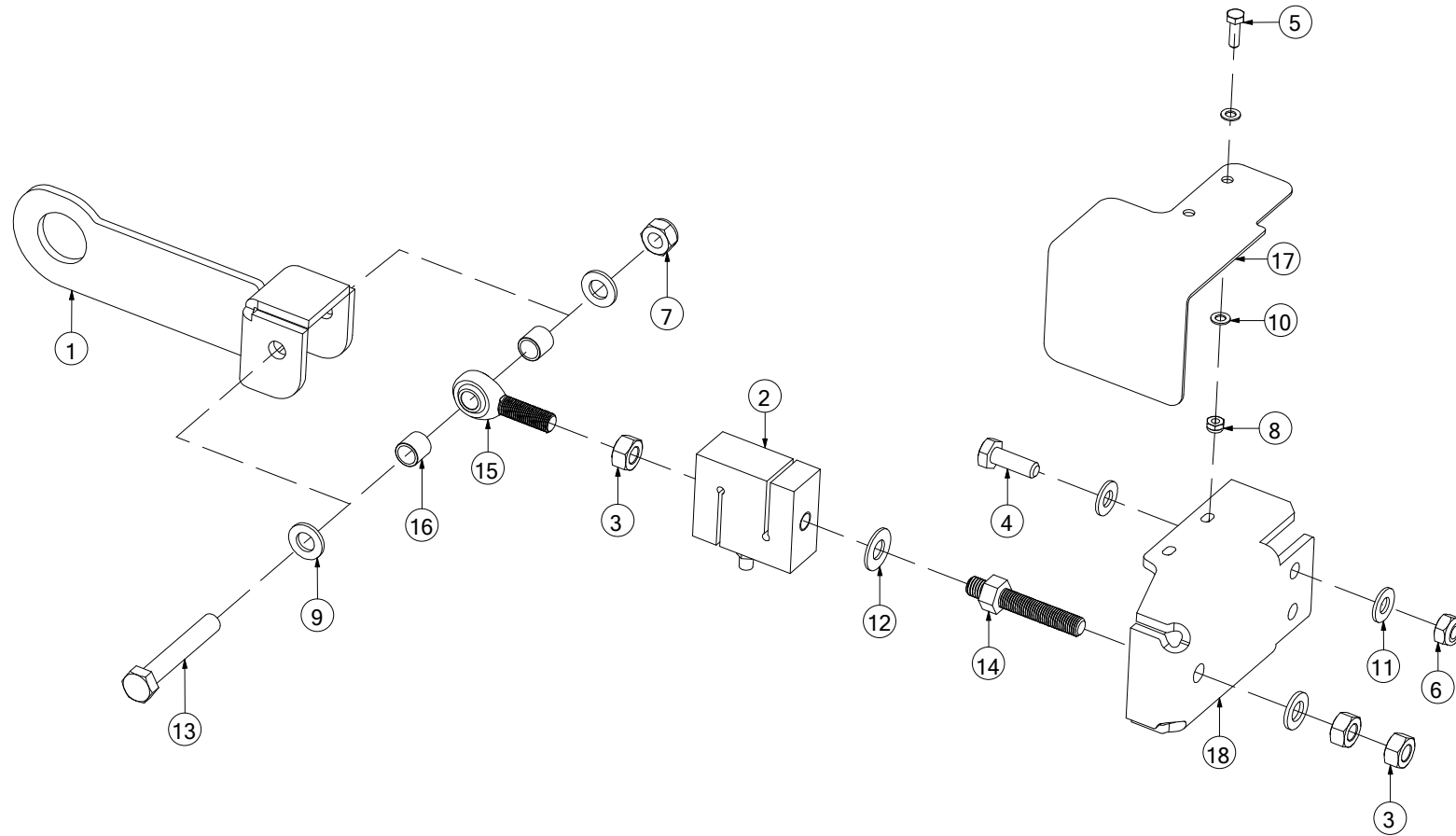
No.	Part No	Description	Qty
1	CEL00961	CAMERA MALE PHONO CONNECTOR	1
2	CEL01371	RCA PHONO SOCKET FEMALE 2WAY	1
3	CEL01593	DOUBLE PHONO ADAPTOR	1
4	CEL01630	FUSE 250MA 5X20MM GLASS	1
4	CEL01631	FUSE 500MA 5X20MM GLASS	1
5a	CEL01609	ISOCAN - FENDT CAMERA ADAPTOR	1
5b	CEL01747	4 PIN - FENDT CAMERA ADAPTER	1
6	CEL01520	SECOND CAMERA POWER ADAPTER	1
7	CEL01585	PHONO TO CAMERA CONNECTOR	1
8	CEL01532	TWIN CAMERA ADAPTER	1
9	KST00074	CAMERA MOUNTING KIT	1
<i>INCLUDES CONNECTOR CABLE (ITEM 9a)</i>			
9a	CEL00034	LOOM POWER CCTV & AUTO CONT'	1
10	CEL00903	CAMERA-ISOCAN SIGNAL CABLE	1
11	CEL00900	COLOUR CAMERA MK1	1
12	CEL01541	CAMERA EXTENSION 5M HIGH-FLEX	1
13	KST00064	2ND CAMERA KIT ISOCAN	1
<i>INCLUDES ITEMS 10, 11 & 12</i>			
14	CEL01506	CAMERA MONITOR	1
15	CEL01550	CAMERA EXTENSION CABLE 10M	1
15	CEL01556	CAMERA EXTENSION CABLE 3M	1
16	CEL01533	COLOUR CAMERA MK2	1
16a	KST00181	CHAMBER CAMERA BUFFER KIT	1
<i>INCLUDES CAMERA BRACKET, RUBBER BUFFERS & FASTENERS</i>			
17	KST00068	CAMERA & MONITOR KIT	1
<i>INCLUDES ITEMS 14, 15 & 16</i>			
18	CEL01655	QUAD CAMERA MONITOR	1
19	CEL00064	LOOM COBO WHITE CON EURO LEAD	1
20	CEL01550	CAMERA EXTENSION CABLE 10M	2
21	CEL01533	COLOUR CAMERA MK2	2
22	ATR00047	DOUBLE CAMERA BRACKET COMP ASSY	1
23	KST00100	DUAL CAMERA COMP KIT FRT MOWER	1
<i>INCLUDES ITEMS 18, 19, 20, 21 & 22</i>			

Rear Light & Bkt (1372)

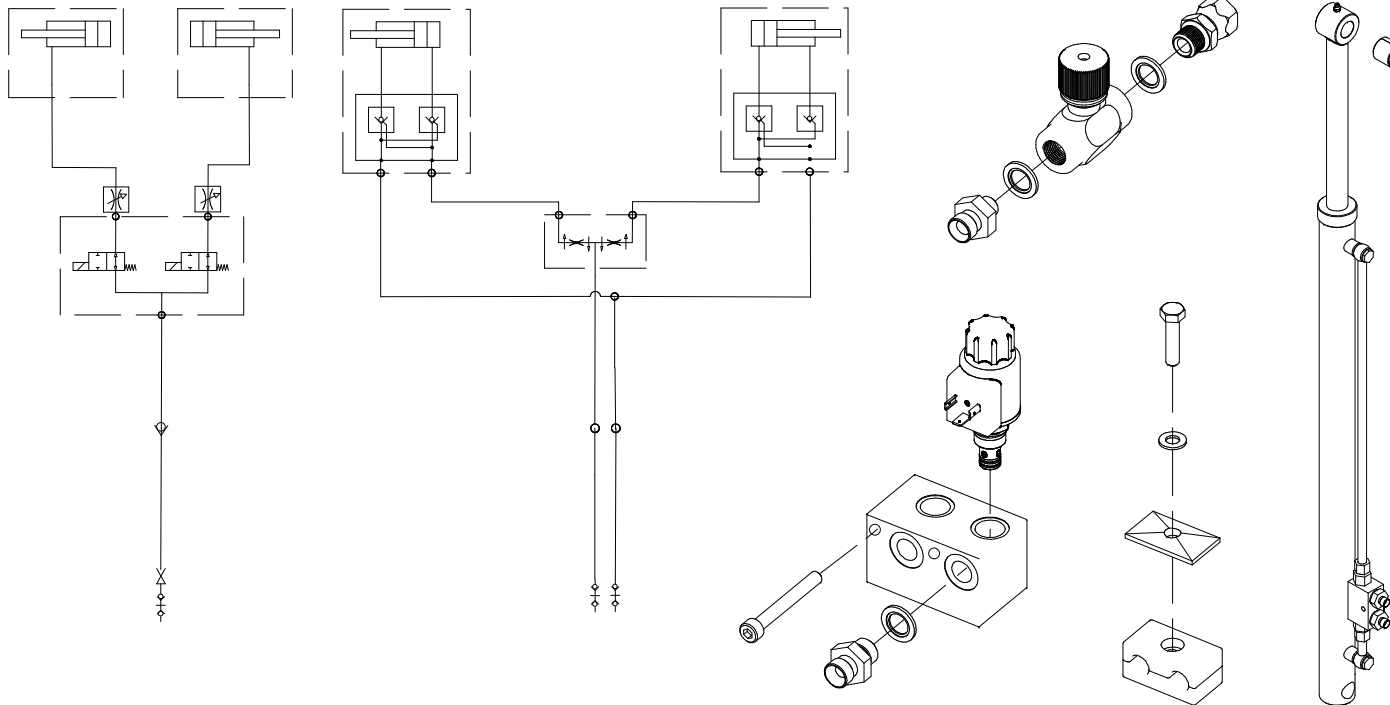


No.	Part No	Description	Qty
1	CBE00228	RUBBER BUFFER 70 SHORE	2
2	CEL00239	ROUND AMBER REFLECTOR BOLT ON TYPE	1
3	CEL00701	LIGHT F550 (2012 MODEL) RHS	1
<i>RHS</i>			
3	CEL00700	TAIL LIGHT LEFT	1
<i>LHS</i>			
4	CFA00131	NUT M6 NYLOC	3
5	CFA00132	NUT M8 NYLOC Z/P	4
6	CFA00144	WASHER FLAT 6MM Z/P	3
7	CFA00147	WASHER FLAT 8MM Z/P	4
8	CZC04479	3MM L RHS LIGHT BRACKET F550	1
<i>RHS</i>			
8	CZC04485	3MM L LHS LIGHT BRACKET F550	1
<i>LHS</i>			

Load Cell BSI (1394)

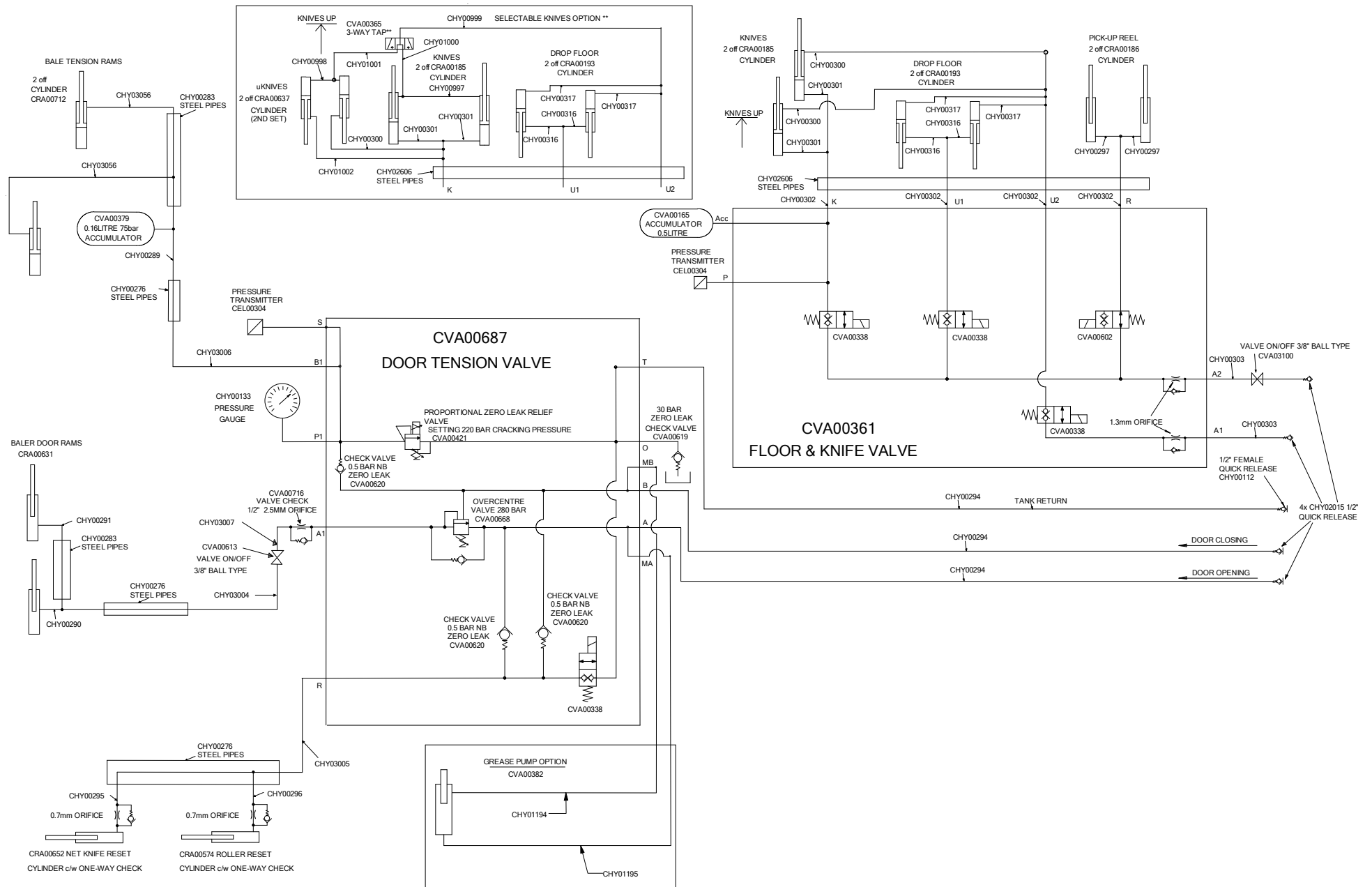


No.	Part No	Description	Qty
1	ABC00029	DOOR PIN BALE SHAPE SENSOR BRACKET	1
2	CEL01794	1000KG TENSION LOAD CELL 4-20MA	1
3	CFA00014	NUT M12	3
4	CFA00025	SETSCREW M10X30	1
5	CFA00115	SETSCREW M6X20 Z/P	1
6	CFA00123	NUT M10 NYLOC	1
7	CFA00124	NUT M12 NYLOC	1
8	CFA00131	NUT M6 NYLOC	2
9	CFA00138	WASHER FLAT 12MM Z/P	3
10	CFA00144	WASHER FLAT 6MM Z/P	3
11	CFA00201	WASHER FLAT 10 MM Z/P	2
12	CFA00250	WASHER SKM12	1
13	CFA00384	BOLT M12X80	1
14	CFA01243	M12X80 SPECIAL BOLT	1
15	CFA02418	M12 X 1.75 MALE STEEL ROD END	1
16	CMH03239	BUSH 12.5X16X15.5	2
17	CZB04804	2MM L BALE SHAPE INDICATOR COVER LEFT	1
<i>LHS</i>			
17	CZB04805	2MM L BALE SHAPE INDICATOR COVER RIGHT	1
<i>RHS</i>			
18	CZF09264	6MM L V SERIES DOOR LOAD CELL BRACKET	1



No.	Part No	Description	Qty
	SPD01194	HYDRAULICS	

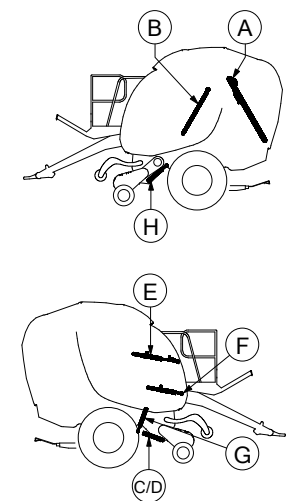
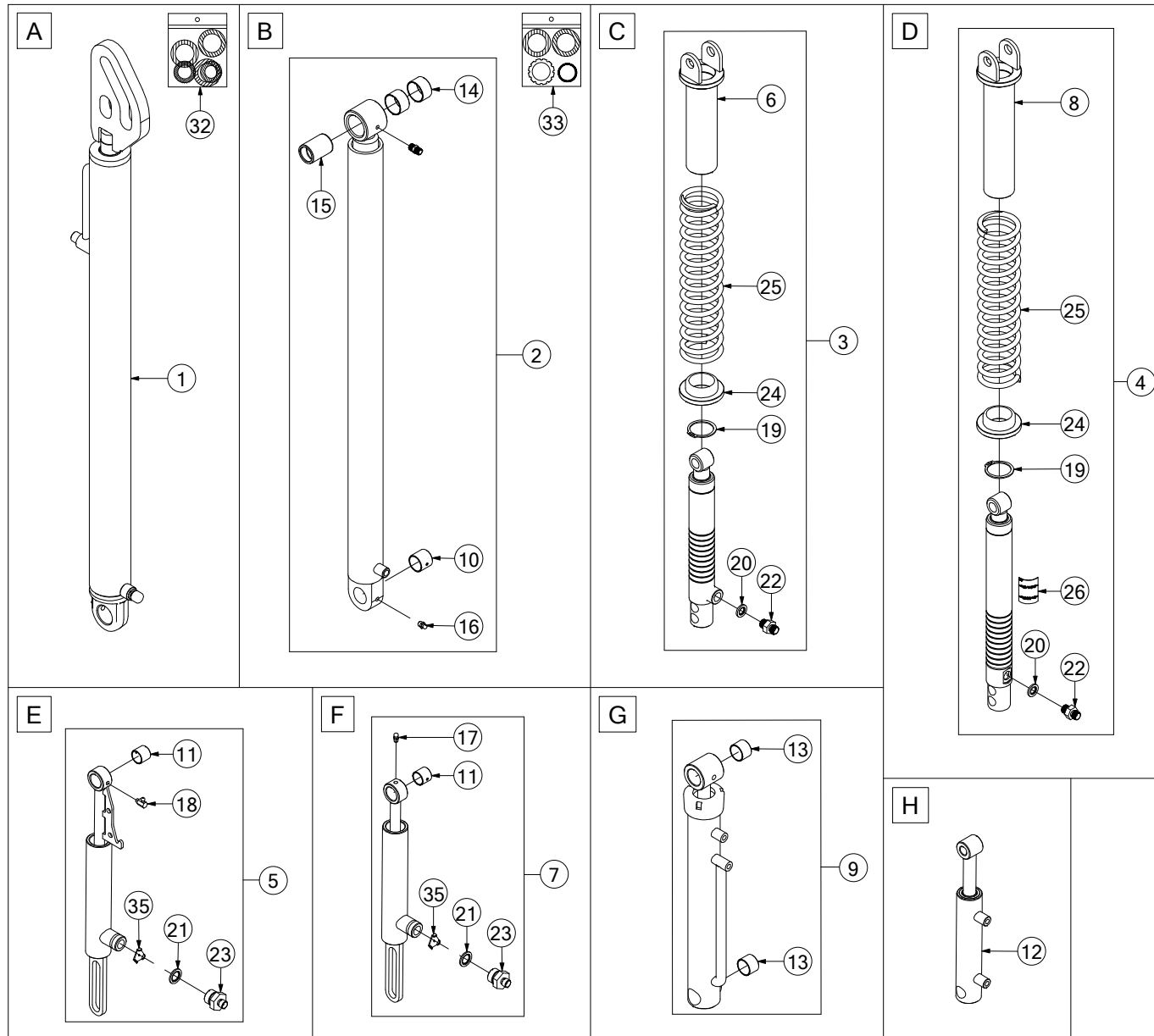
Hydraulic Schematic (1404)



No.	Part No	Description	Qty
1	CEL00304	PRESSURE TRANSMITTER 0-250BAR M12	2
2	CHY00112	PUSH/PULL QR 1/2" BSP FEMALE	1
3	CHY00133	GAUGE PRESSURE 63 DIA FLANGE	1
4	CHY00276	STEEL PIPE ASSY COMPLETE V6 SERIES	1
5	CHY00283	ASSY STL PIPE BSP V6 SERIES DOOR RAMS	1
6	CHY00289	HOSE BELT BALER STL TO STL PIPE	1
7	CHY00290	HOSE BELT BALER DOOR RAM RT	1
8	CHY00291	HOSE BELT BALER DOOR RAM LT	1
9	CHY00294	HOSE BELT BALER VALVE TO TRACTOR	3
10	CHY00295	HOSE BELT BALER NET KNIFE	1
11	CHY00296	HOSE BELT BALER NET ROLLER	1
12	CHY00297	HOSE CHOPPER UNIT PICKUP REEL	2
13	CHY00300	HOSE CHOPPER UNIT KNIFES DOWN	2
14	CHY00301	HOSE CHOPPER UNIT KNIFES UP	2
15	CHY00302	HOSE BELT BALER REEL VALVE TO STL PIPE	4
16	CHY00303	HOSE BELT BALER REEL VALVE TO TRACTOR	2
17	CHY00316	HOSE CHOPPER UNIT FLOOR DOWN	2
18	CHY00317	HOSE CHOPPER UNIT FLOOR UP	2
19	CHY00997	SELECTABLE KNIFE RAM HOSE	1
<i>USED ON SELECTABLE KNIFE MODELS ONLY</i>			
20	CHY00998	SELECTABLE KNIFE RAM HOSE	1
<i>USED ON SELECTABLE KNIFE MODELS ONLY</i>			
21	CHY00999	1/4 T-PIECE TO CVA00365 INLET PORT	1
<i>USED ON SELECTABLE KNIFE MODELS ONLY</i>			
22	CHY01000	TAP CVA00365 TO CRA00185 KNIVES DOWN	1
<i>USED ON SELECTABLE KNIFE MODELS ONLY</i>			
23	CHY01001	TAP CVA00365 TO CRA00637 KNIVES DOWN	1
<i>USED ON SELECTABLE KNIFE MODELS ONLY</i>			
24	CHY01002	STEEL PIPING TO CRA00637 KNIVES UP	1
<i>USED ON SELECTABLE KNIFE MODELS ONLY</i>			
26	CHY01194	HA04-1590WJ-F0490N-F0400N-090	1
27	CHY01195	HA04-1540WJ-F0490N-F0400N-000	1
29	CHY02015	QR 1/2" MALE SHIELDED POPPET	4
30	CHY02606	PIPE ASSY HYD CHOPPER UNIT	1
31	CHY03056	HA06-1980-WJ-F0600N-F0690N-000	2
34	CHY03004	HYD HOSE V6 ST PIPES TO SAFETY VALVE	1
35	CHY03005	HYD HOSE V6 ROLLER TRIP TO STEEL PIPE	1
36	CHY03006	HOSE V6 VALVE TO ST PIPE TENSION RAM	1
37	CHY03007	HYD HOSE V6 DOOR LOCK TO VALVE	1
40	CRA00185	RAM KNIFE ACTUATION BW	2
41	CRA00186	RAM PICKUP BALER	2
42	CRA00193	RAM CHOPPER FLOOR 20X40 BW	2
43	CRA00574	KNIFE RESET RAM BELT BALER	1
<i>ROLLER RESET RAM (SHORT PISTON ROD)</i>			
44	CRA00906	DOOR OPEN RAM V6, VARIO SPARE PARTS	2
<i>INCLUDES ADAPTOR SLEEVE FOR OLDER MACHINES (REPLACES CRA00631)</i>			
44a	CSE00160	SEAL KIT FOR RAM CRA00631	1
45	CRA00637	RAM 45X20 SELECT KNIFE	2
<i>USED ON SELECTABLE KNIFE MODELS ONLY</i>			
46	CRA00652	RESET RAM V6	1
<i>KNIFE RESET RAM (LONG PISTON ROD)</i>			

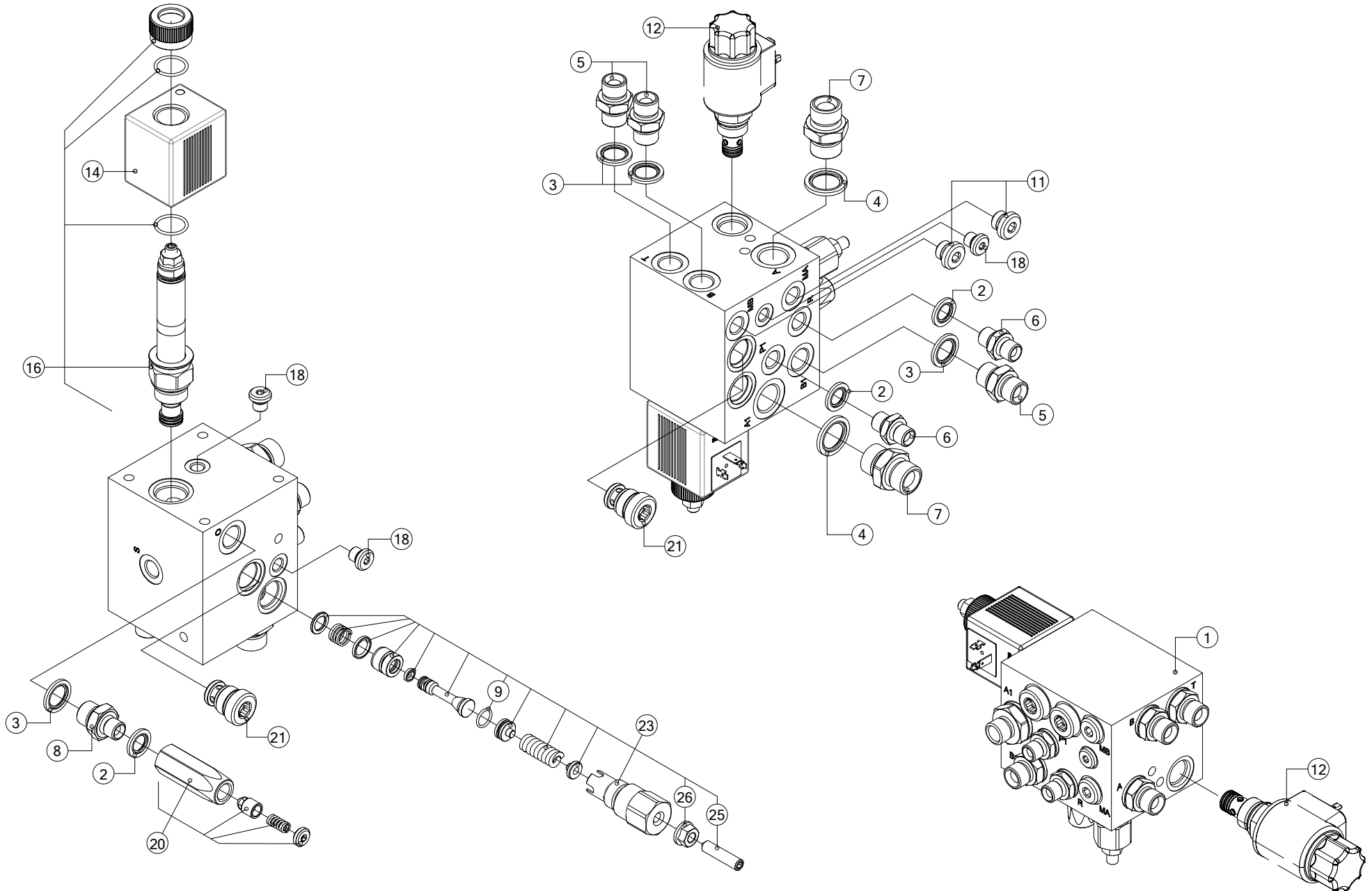
47	CRA00712	BELT TENSION RAM V6 MKIII	2
47a	CSE00627	SEAL KIT V6 TENSION RAM INCL PISTON	1
<i>SEAL KIT FOR CRA00712</i>			
49	CVA00165	ACCUMULATOR 0.5 LITRE 25 BAR	1
50	CVA00338	VALVE CTE DOUBLE CHECK NC	4
53	CVA00361	VALVE CTRL FLOOR KNIVES 2011+	1
54	CVA00365	TAP BK3 G1/4 06 1123 1 TA-180?	1
<i>USED ON SELECTABLE KNIFE MODELS ONLY</i>			
56	CVA00379	ACCUMULATOR 0.16L 75 BAR	1
56a	CHY01051	ADAPTOR 1/2"M - 3/8"F FIXED	1
56b	CHY00020	WASHER DOWTY 3/8	1
56c	CHY00053	WASHER DOWTY 1/2	1
56d	CHY02097	T PIECE 3/8 M-M-F	1
57	CVA00382	PUMP GREASE ONLY F5 BALER (BURNSIDE)	1
59	CVA00757	PROP RELIEF NC MC10T HF CHECK	1
<i>REPLACES CVA00421</i>			
59a	CVA00752	KIT AIR BLEED SCREW	1
<i>REPLACEMENT AIR BLEED SCREW KIT FOR CVA00421/CVA00757</i>			
61	CVA00602	VALVE CTE DOUBLE CHECK NO	1
63	CVA00613	VALVE 3/8 W LEVER LOCK & HOLES	1
64	CVA00619	VALVE CHECK 1/4" 30 BAR	1
65	CVA00620	VALVE CHECK VRR12	3
67	CVA00668	VALVE OVER CENTRE	1
69	CVA00687	DOOR TENSION VALVE V6 2018+	1
71	CVA00716	VALVE CHECK 1/2 2.5MM ORIFICE	1
72	CVA03100	VALVE ON/OFF 3/8" BALL TYPE	1

Hydraulic Rams (1365)



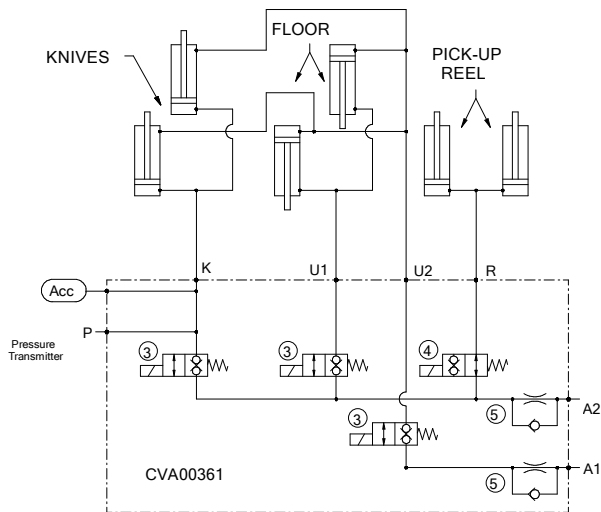
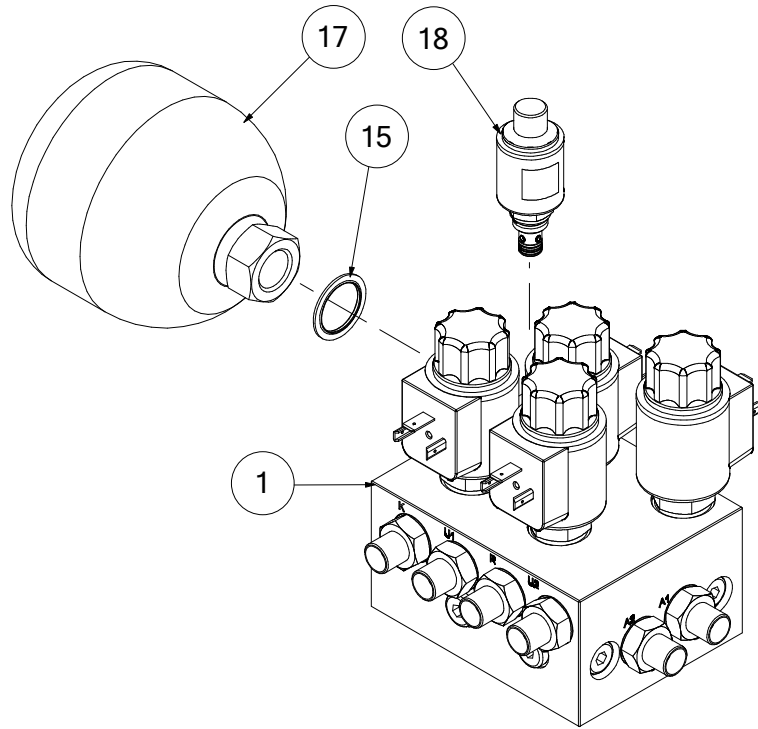
No.	Part No	Description	Qty
1	CRA00890	BELT TENSION RAM V8	1
2	CRA00906	DOOR OPEN RAM V6, VARIO SPARE PARTS	1
3	CRA00186	RAM PICKUP BALER	1
		<i>CAMTRACK</i>	
4	CRA00296	RAM PICK UP (CAMLESS) 2020	1
		<i>CAMELESS</i>	
5	CRA00652	KNIFE RESET RAM V6 VARIO	1
6	ACH00404	SPRING RETAINER PICKUP	1
7	CRA00574	ROLLER RESET RAM V6	1
8	ACH01753	SPRING RETAINER CRA00296 RAM	1
9	CRA00193	RAM CHOPPER FLOOR 20X40 BW	1
10	CBR00039	BEARING GLACIER PM 2525 DX	1
11	CBR00096	BEARING GLACIER PM 2020 DX	2
12	CRA00185	RAM KNIFE ACTUATION BW	1
13	CBR00101	BEARING GLACIER PM 2525 DX	4
14	CBR00260	BEARING GLACIER PM 3220 DX	2
15	CBR00394	BUSH BRONZE 32X25X44.5	1
16	CFA00118	GREASE NIPPLE M8X1.25 STRAIGHT	1
17	CFA00217	GREASE NIPPLE M6X1.0 ST	1
18	CFA00277	GREASE NIPPLE M6X1.0X90 DEGREE	1
19	CFA00551	CIRCLIP 40MM EXTERNAL	2
20	CHY00015	WASHER DOWTY 1/4"	2
21	CHY00937	WASHER DOWTY M18	2
22	CHY02010	ADAPTOR 1/4" BSP M/M	2
23	CHY02085	ADAPTOR 1/2"M / 1/4"M	2
24	CPT00073	SPRING RETAINER FOR CRA00186	2
25	CSG00037	SPRING COMP 7.92X68.	2
26	CST01011	CRA00296 PIN PLACEMENT DECAL	1
32	CSE00627	SEAL KIT V6 TENSION RAM INCL PISTON	1
33	CSE00160	SEAL KIT FOR RAM	1

Valve door tension (1059)

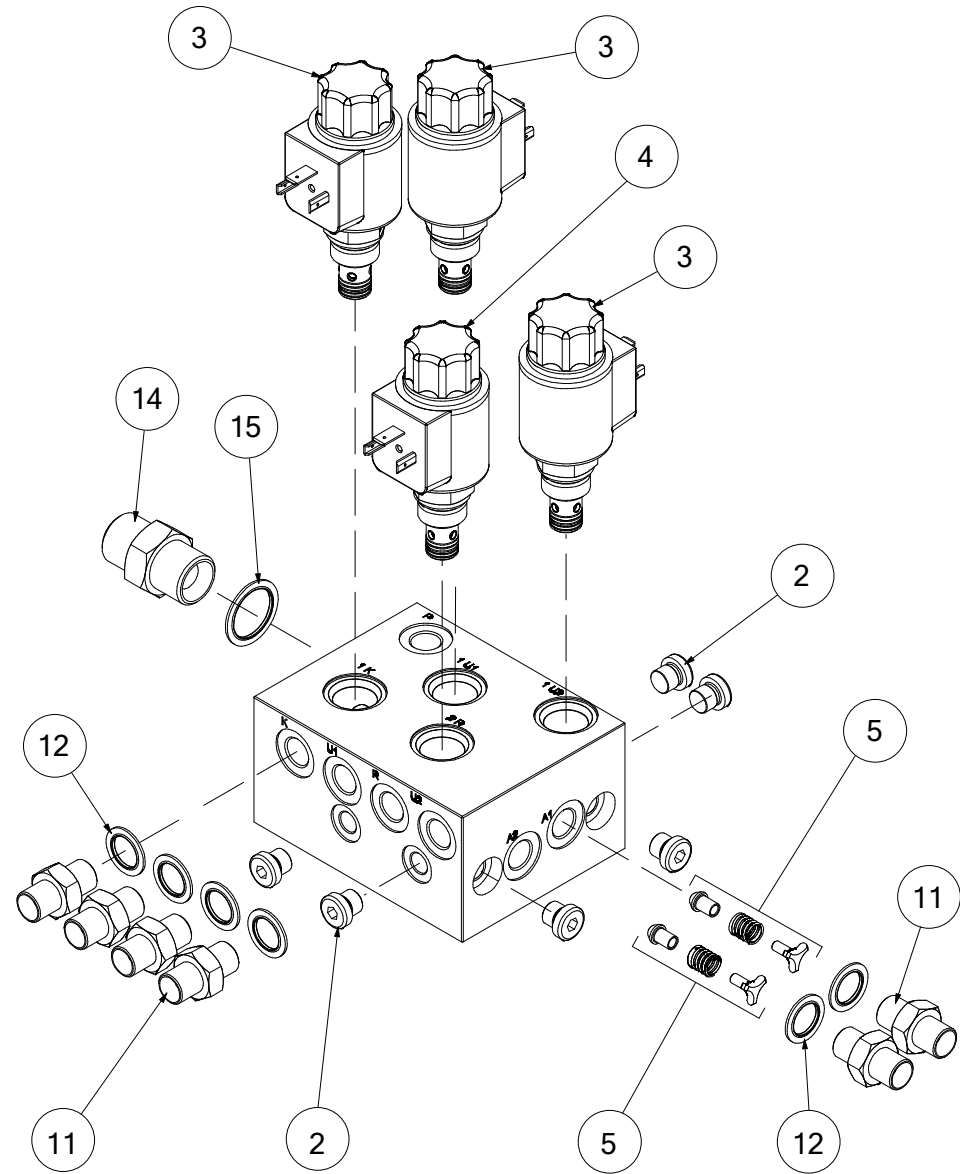


No.	Part No	Description	Qty
1	CVA00687	DOOR TENSION VALVE V6 2018+	1
<i>INCLUDES ALL ITEMS EXCEPT ITEM 12</i>			
2	CHY00015	WASHER DOWTY 1/4	3
3	CHY00020	WASHER DOWTY 3/8	4
4	CHY00053	WASHER DOWTY 1/2	2
5	CHY02002	ADAPTOR 3/8 BSP M/M	3
6	CHY02010	ADAPTOR 1/4 BSP M/M	2
7	CHY02013	ADAPTOR 1/2 BSP M/M	2
8	CHY02032	ADAPTOR 1/4 M 3/8 M	1
9	CSE00164	O-RING 70 SH NBR 15.60X1.78	1
11	CVA00176	PLUG BSP 1/4 ALLEN HD +SEAL	2
12	CVA00338	VALVE CTE DOUBLE CHECK NC	1
<i>NOT PART OF VALVE ASM - MUST BE ORDERED SEPARATELY</i>			
14	CVA00397	COIL 12 PROPORTIONAL DIN	1
16	CVA00757	PROP RELIEF NC MC10T HF CHECK	1
<i>(REPLACES CVA00421) DOES NOT INCLUDE ITEM 14 (COIL) WHICH MUST BE ORDERED SEPARATELY</i>			
16a	CVA00752	KIT AIR BLEED SCREW	1
<i>REPLACEMENT AIR BLEED SCREW KIT FOR CVA00421/CVA00757</i>			
18	CVA00553	BLANKING CAP 1/8 (W/O-RING)	3
20	CVA00619	VALVE CHECK 1/4" 30 BAR	1
21	CVA00620	VALVE CHECK VRR12	3
23	CVA00668	VALVE OVER CENTRE	1
25	CVA00674	GRUB SCREW M8X35 VOSL	1
26	CVA00675	NUT SEALED M8 VOSL	1

Valve knives & floor [Used on all F5500 & on V660 from Serial No 800276+] (801)

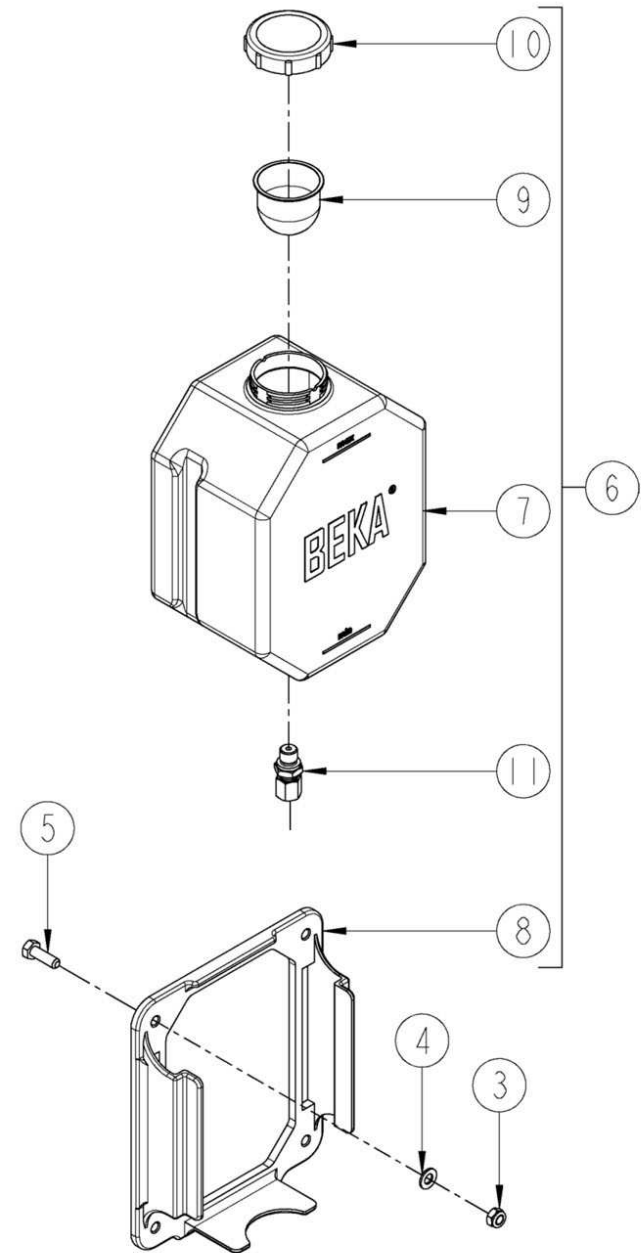
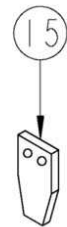
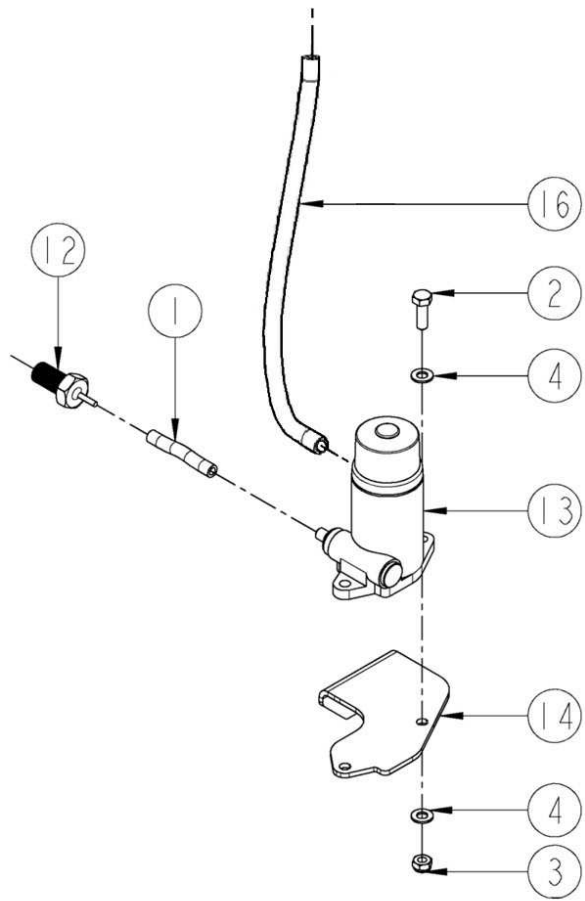


VALVE TORQUE SETTING = 25-30NM



No.	Part No	Description	Qty
1	CVA00361	VALVE CTRL FLOOR KNIVES 2011+	1
<i>INCLUDES ITEMS 2, 3, 4, 5, 11, 12, 14 & 15</i>			
2	CVA00553	BLANKING CAP 1/8"	6
3	CVA00338	VALVE CTE DOUBLE CHECK NC	3
4	CVA00602	VALVE CTE DOUBLE CHECK NO	1
5	CVA00603	VALVE CHECK ASM	2
11	CHY02010	ADAPTOR 1/4" BSP M/M	6
12	CHY00015	WASHER DOWTY 1/4"	6
14	CHY02013	ADAPTOR 1/2" BSP M/M	1
15	CHY00053	WASHER DOWTY 1/2"	2
17	CVA00165	ACCUMULATOR 0.5 LITRE 25 BAR	1
<i>NOT PART OF VALVE ASM - MUST BE ORDERED SEPARATELY</i>			
18	CEL00304	PRESSURE TRANSMITTER 0-250BAR M12	1
<i>NOT PART OF VALVE ASM - MUST BE ORDERED SEPARATELY</i>			

Oil system 1 (619)

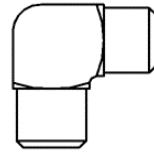


No.	Part No	Description	Qty
1	CBE00172	BEKA OIL PUMP DRIVE LINE PIPE	1
1a	CFA00644	JUBILEE CLIP 13MM-20MM	2
2	CFA00102	SETSCREW M8X25 Z/P	4
3	CFA00132	NUT M8 NYLOC Z/P	8
4	CFA00147	WASHER FLAT 8MM Z/P	12
5	CFA00407	BOLT M8X25 Z/P	4
6	CHY00868	BEKA OIL TANK ASSY	1
7	CHY00869	BEKA OIL TANK	1
8	CHY00870	BEKA OIL TANK BRACKET	1
9	CHY00871	BEKA OIL TANK FILTER	1
10	CHY00872	BEKA OIL TANK CAP	1
11	CHY00873	BEKA OIL TANK FITTING	1
12	CVA00563	BEKA OIL PUMP DRIVE	1
13	CVA00659	BEKA OIL PUMP (8:1 RATIO)	1
		<i>REPLACES CVA00564</i>	
13a	CBC00024	SCREW CAP BLACK FOR CVA00564	1
		<i>REPLACEMENT BLACK SCREW CAP FOR TOP OF BEKA OIL PUMP</i>	
13b	CVA10044	THREADED ADJUSTER BEKA OIL PUMP	1
		<i>REPLACEMENT THREADED ADJUSTER FOR BEKA OIL PUMP</i>	
13c	CVA00573	BEKA OIL PUMP GEARBOX	1
		<i>REPLACEMENT BASE UNIT FOR BOTTOM OF BEKA OIL PUMP</i>	
13d	CVA00574	BEKA OIL PUMP SPUR GEAR	1
		<i>REPLACEMENT SPUR GEAR FOR BEKA OIL PUMP</i>	
14	CZD04357	4MM OIL PUMP BRACKET BELT BALER	1
15	CHY01061	OIL WICK KIT FULL BALER RANGE	1
		<i>CONTAINS 4 SEPARATE WICKS FOR ANY MCHALE BALER MODEL (REPLACES CHY00609 SINGLE WICK)</i>	
16	CHY00892	TUBE 10X8X300 OILER TANK	1
		<i>USED ON F5 & V6 BALERS ONLY</i>	
16	CHY01229	TUBE 10X8X1330MM OILER TANK	1
		<i>USED ON FUSION VARIO ONLY</i>	
16a	CVA10046	PUSH FITTING 10 G 1/8 BEKA OIL PUMP	1
17	CHY02881	POLYAMIDE 4MM FLEXI OILER PIPE	1
17a	CVA10045	PUSH FITTING 4 G 1/8 BEKA OIL PUMP	1

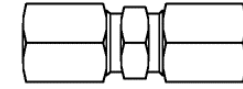
Oil & Grease fittings (553)



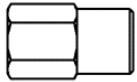
12



13



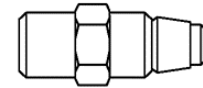
14



15



16



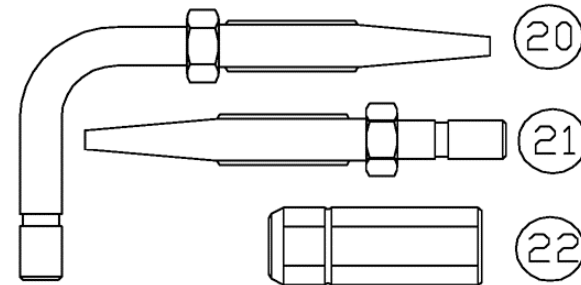
17



18



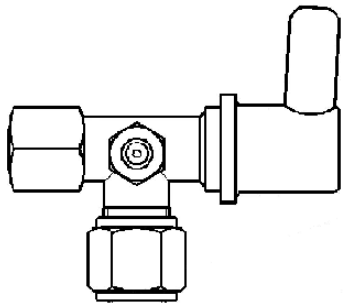
19



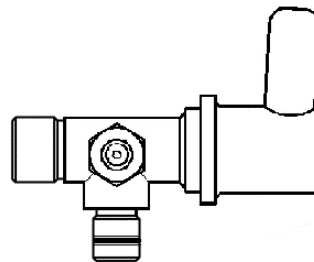
20

21

22



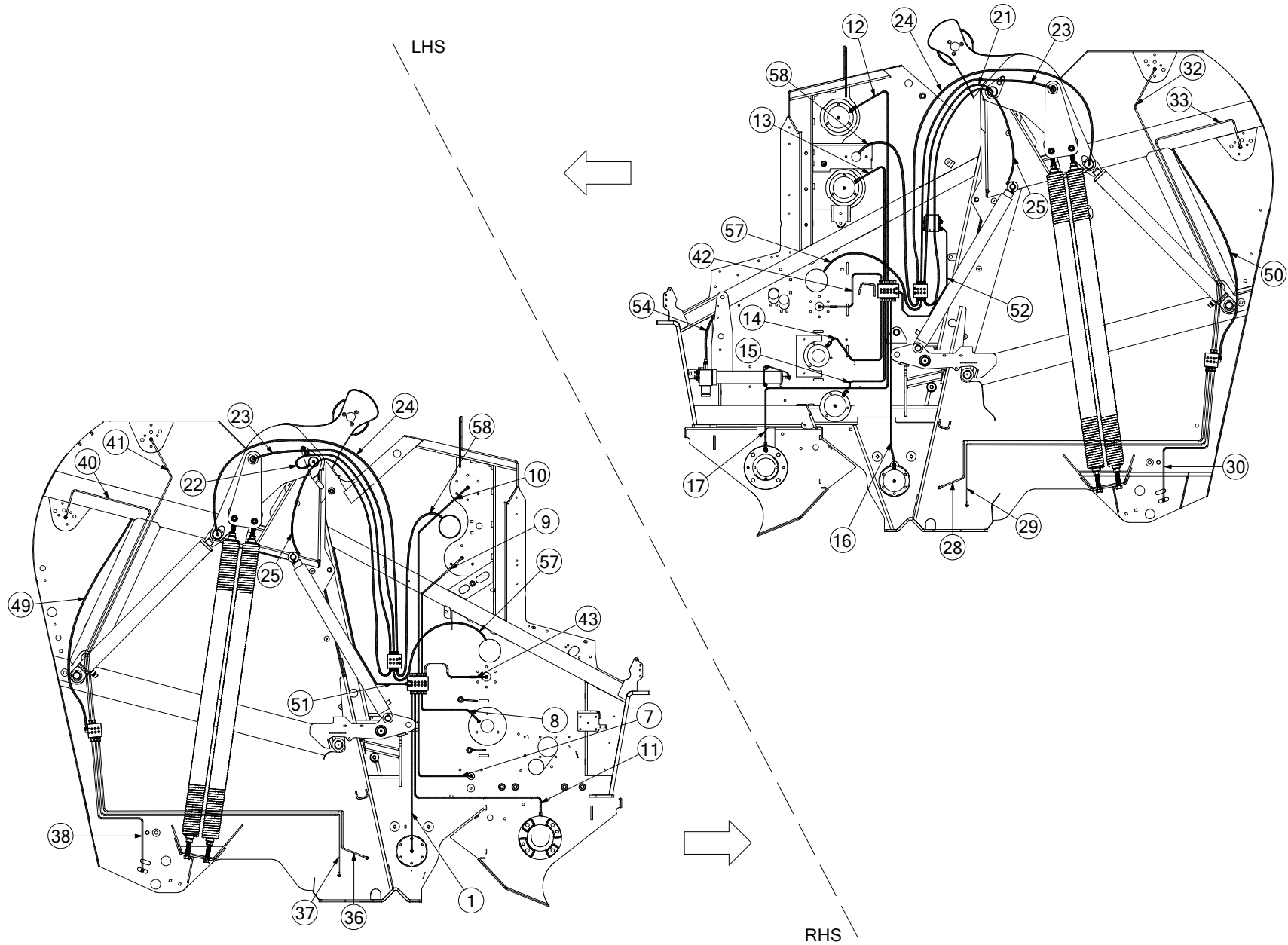
23



24

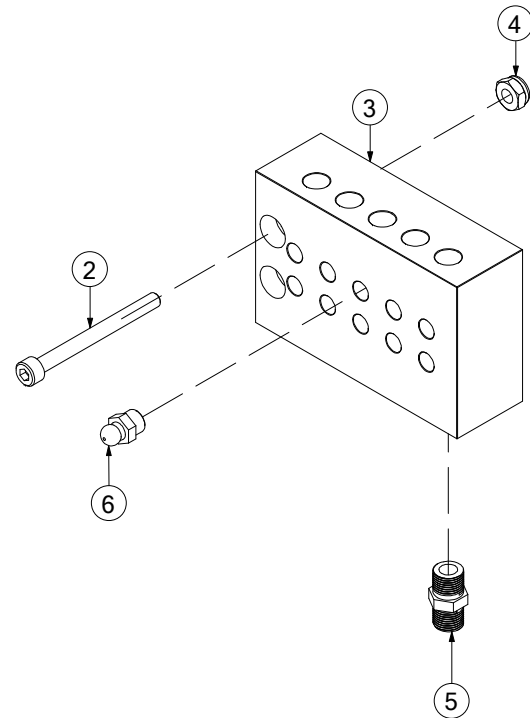
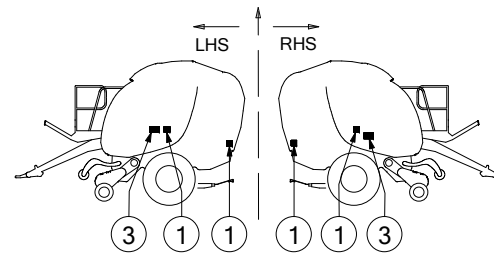
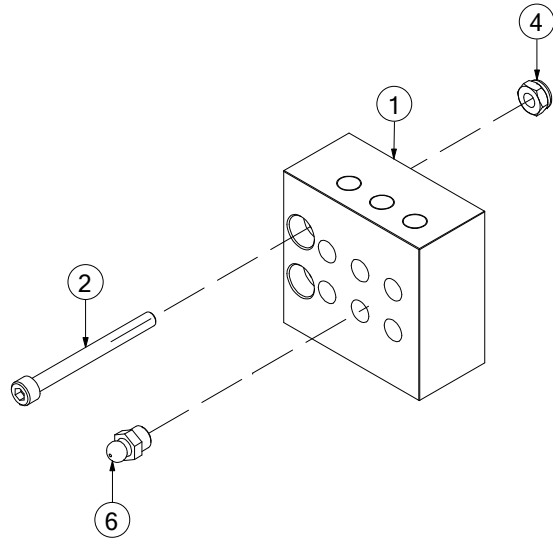
No.	Part No	Description	Qty
12	CFA00549	6LL FITTING STRAIGHT	1
13	CFA00543	6LL FITTING ELBOW	1
14	CFA00681	6LL UNION (COMPLETE)	1
15	CFA00682	COMPRESSION NUT	1
16	CFA00544	6LL COUPLING NUT	1
17	CFA00648	CHECK VALVE	1
18	CFA00683	BRASS OLIVE	1
19	CFA00545	STEEL OLIVE	1
20	CHY02323	HOSE STUD ELBOW	1
21	CHY02324	HOSE STUD STRAIGHT	1
22	CHY02325	THREADED SLEEVE	1
23	CHY02612	VALVE SVTE MANUAL GREASE NIPPLE	1
24	CHY02986	VALVE SVTS-350-R1/8 MANUAL GREASE NIPPLE	1

Grease Pipe Layout (1395)



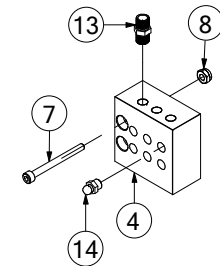
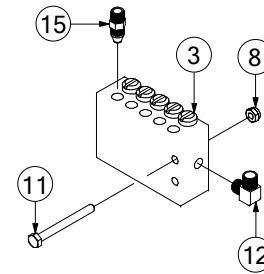
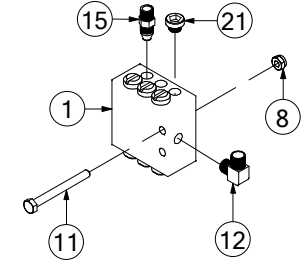
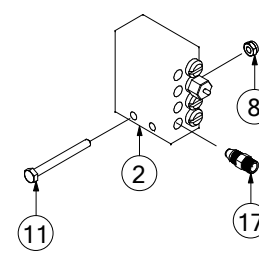
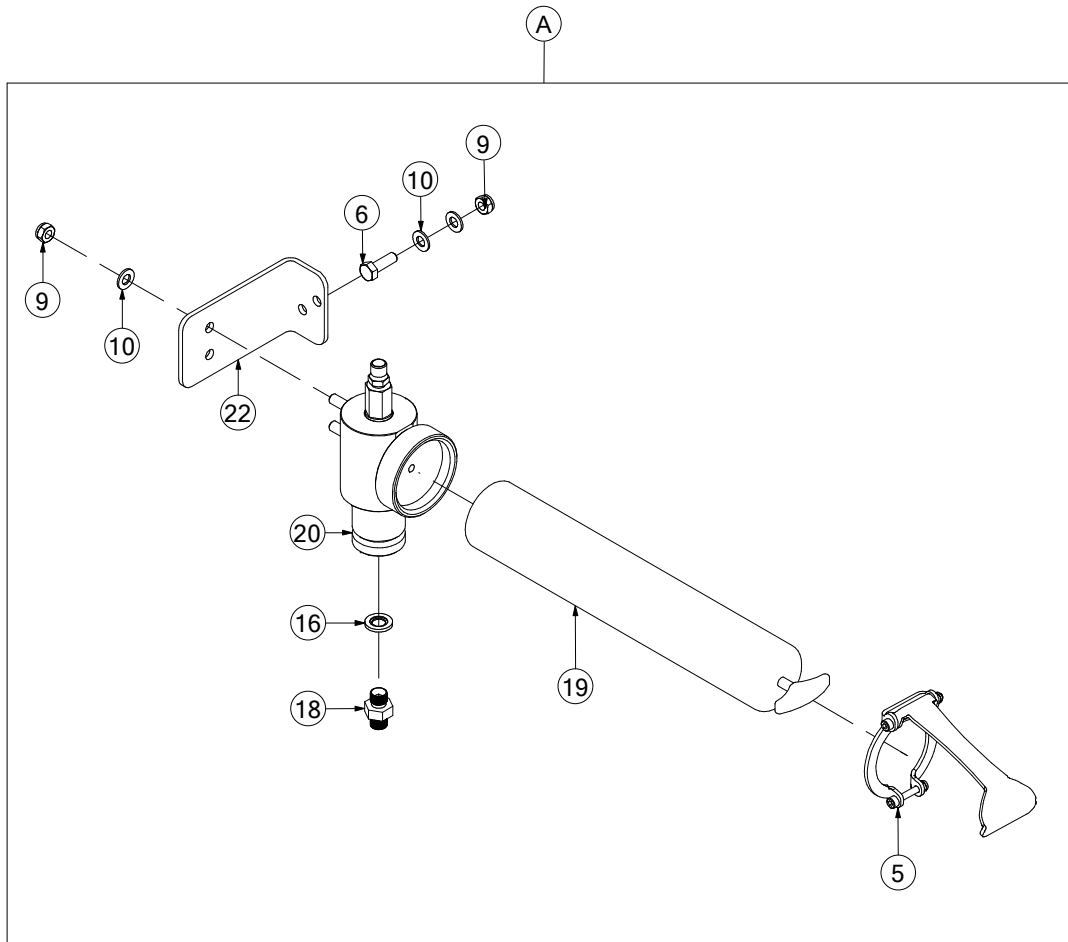
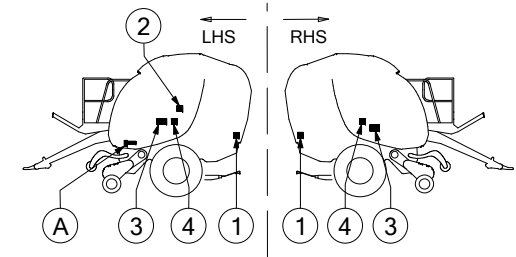
No.	Part No	Description	Qty
1	CHY00264	GREASE PIPE ASSY RT ROLLER 5	1
7	CHY00265	GREASE PIPE ASSY RT ROLLER 4	1
8	CHY00266	GREASE PIPE ASSY RT ROLLER 3	1
9	CHY01348	GREASE PIPE ASSY RT ROLLER 2 V6 1.8M	1
10	CHY01347	GREASE PIPE ASSY RT ROLLER 1 V6 1.8M	1
11	CHY00269	GREASE PIPE ASSY RT ROTOR	1
12	CHY01344	GREASE PIPE ASSY LT ROLLER 1 V6 1.8M	1
13	CHY01346GRE	GREASE PIPE ASSY LT ROLLER 2	1
14	CHY00272	GREASE PIPE ASSY LT ROLLER 3	1
15	CHY00273	GREASE PIPE ASSY LT ROLLER 4	1
16	CHY00274	GREASE PIPE ASSY LT ROLLER 5	1
17	CHY00275	GREASE PIPE ASSY LT ROTOR	1
21	CHY01057	6X1240MM GREASE PIPE FLEX	1
22	CHY01370	FLEX GREASE PIPE DOOR PIN 1380MM	1
23	CHY01369	FLEX GREASE PIPE TENSION SPRING 1620MM	2
24	CHY01368	FLEX GREASE PIPE TENSION RAM 1940MM	2
25	CHY01372	FLEX GREASE PIPE DOOR RAM 2220MM	2
28	CHY01330	GREASE PIPE LOWER DOOR 1 LH V8	1
29	CHY01329	GREASE PIPE LOWER DOOR 2 LH V8	1
30	CHY01328	GREASE PIPE REAR DOOR 1 RH 1.8M	1
32	CHY01331	GREASE PIPE REAR DOOR 4 LH 1.8M	1
33	CHY01332	GREASE PIPE REAR DOOR 3 LH 1.8M	1
36	CHY01325	GREASE PIPE LOWER DOOR 1 RH V8	1
37	CHY01324	GREASE PIPE LOWER DOOR 2 RH V8	1
38	CHY01323	GREASE PIPE REAR DOOR 1 RH 1.8M	1
40	CHY01327	GREASE PIPE REAR DOOR 3 RH 1.8M	1
41	CHY01326	GREASE PIPE REAR DOOR 4 RH 1.8M	1
42	CHY01144	GREASE PIPE ASSY SMALL IDLE ROLLER LH	1
43	CHY01145	GREASE PIPE ASSY SMALL IDLE ROLLER RH	1
49	CHY01232	BACK DOOR GREASE PIPE NDS 1.85M	1
		<i>USED ON AUTO GREASING ONLY</i>	
50	CHY01231	BACK DOOR GREASE PIPE DS 1.85M	1
		<i>USED ON AUTO GREASING ONLY</i>	
51	CHY01181	FRONT DOOR GREASE PIPES NDS V6 VARIO	1
		<i>USED ON AUTO GREASING ONLY</i>	
52	CHY01182	FRONT DOOR GREASE PIPE DS V6 VARIO	1
		<i>USED ON AUTO GREASING ONLY</i>	
54	CHY01183	GREASE PUMP GREASE PIPE V6 VARIO	1
		<i>USED ON AUTO GREASING ONLY</i>	
57	CHY03138	FLEX GREASE PIPE BOTTOM AUGER 880MM	1
58	CHY03139	FLEX GREASE PIPE TOP AUGER 1280MM	1

Manual Grease Blocks (1396)



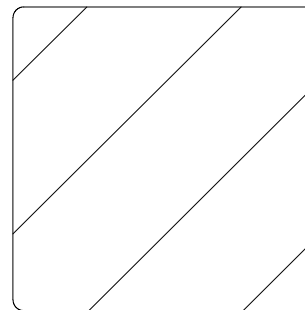
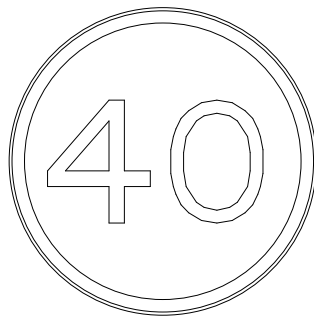
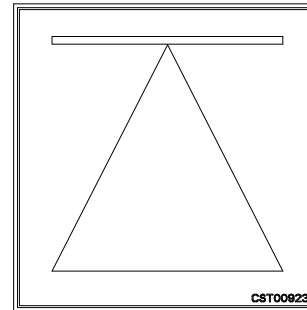
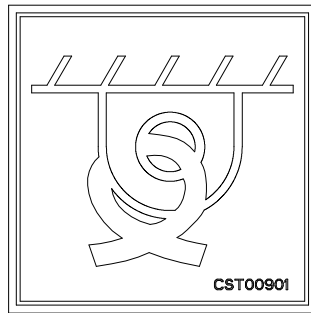
No.	Part No	Description	Qty
1	CVA00678	GREASE BLOCK 6 WAY (MANUAL)	1
2	CFA01101	BOLT M6X50 8.8 SOC CAP Z/P DIN912	1
3	CVA00567	GREASE BLOCK 10 WAY (MANUAL)	1
4	CFA00131	NUT M6 NYLOC	1
5	CFA00549	GREASE FITTING 6MM X 1/8" M/M	1
6	CFA00590	GREASE NIPPLE 1/8 BSP ST	1

Auto Grease Blocks & Pump (1397)



No.	Part No	Description	Qty
1	CVA00169	GREASE BLOCK 6 WAY	1
2	CVA00167	GREASE BLOCK 8 WAY MASTER	1
3	CVA00166	GREASE BLOCK 10 WAY	1
4	CVA00678	GREASE BLOCK 6 WAY (MANUAL)	1
5	ART00351	GREASE GUN STOP ASSY	1
6	CFA00102	SETSCREW M8X25 Z/P	1
7	CFA01101	BOLT M6X50 8.8 SOC CAP Z/P DIN912	1
8	CFA00131	NUT M6 NYLOC	1
9	CFA00132	NUT M8 NYLOC Z/P	1
10	CFA00147	WASHER FLAT 8MM Z/P	1
11	CFA00516	BOLT M6X60 ZP	1
12	CFA00543	6MM X 1/8" 90° GREASE FITTING	1
13	CFA00549	GREASE FITTING 6MM X 1/8" M/M	1
14	CFA00590	GREASE NIPPLE 1/8 BSP ST	1
15	CFA00648	GREASE FITTING TO BLOCK 1/8"	1
16	CHY00015	WASHER DOWTY 1/4"	1
17	CHY01343	AUTO GREASE FITTINGS FRONT V6 1.8M	1
18	CHY02010	ADAPTOR 1/4" BSP M/M	1
19	CVA00184	GREASE GUN CATRAGE HOUSING	1
20	CVA00382	PUMP GREASE ONLY FOR F5 BALER (BURNSIDE)	1
21	CVA10010	CLOSURE PLUG GREASE	1
22	CZD05017	4MM L GREASE PUMP BRACKET V6	1

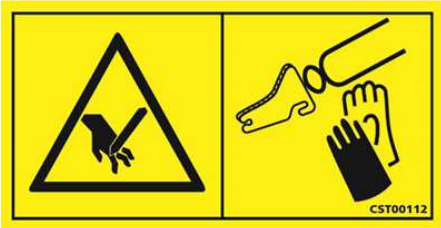








Decals



McHale

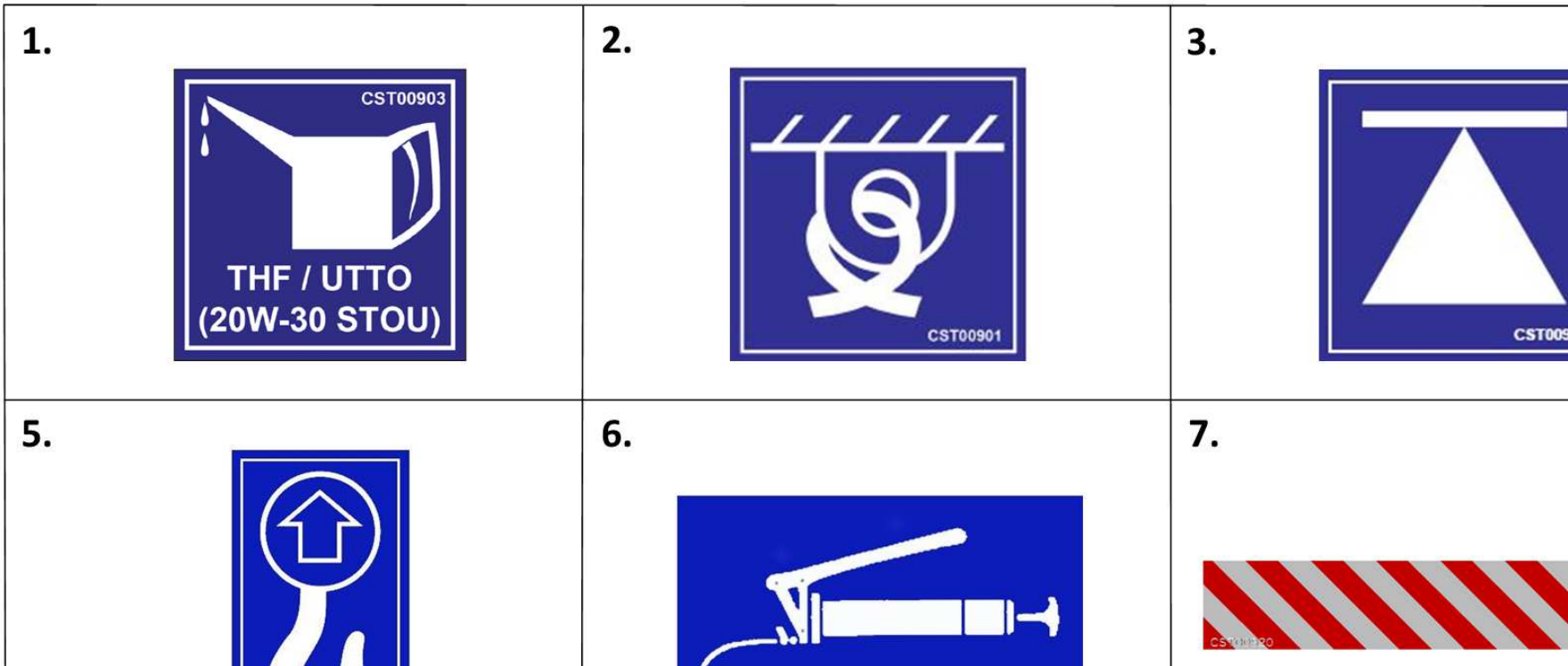
No.	Part No	Description	Qty
	SPD01195	DECALS	

Safety & Info Decals [1] (1377)

<p>1.</p> 	<p>2.</p> 	<p>3.</p> 
<p>5.</p> 	<p>6.</p> 	<p>7.</p> 
<p>9.</p> 	<p>10.</p> 	<p>11.</p> 










No.	Part No	Description	Qty
1	CST00112	DECAL WARNING!SHARP KNIVES	1
2	CST00986	VARI BALER BACK DOOR WARNING DECAL RHS	1
3	CST00987	VARI BALER BACK DOOR WARNING DECAL LHS	1
4	CST00113	DECAL REMOVE KEY (HORIZONTAL)	1
5	CST00114	DECAL CLOSE PROTECTIVE COVERS	1
6	CST00141	DECAL DRAWBAR SWING BALER 210	1
7	CST00120	DECAL CRUSHED HAND (ABOVE)	1
8	CST00006	DECAL FREEFLOW RETURN TO TANK	1
9	CST00019	DECAL CRUSHED HAND MCH-005	1
10	CST00018	DECAL DBR CRUSH (USE CST00141)	1
11	CST00110	DECAL READ MANUAL (HORIZONTAL)	1
12	CST00111	DECAL HYD WARNING (HORIZONTAL)	1
13	CST00107	DECAL NO STANDING ON PLATFORM	1
14	CST00108	DECAL ROTATING PCK-UP REEL 246	1

Safety & Info Decals [2] (1380)



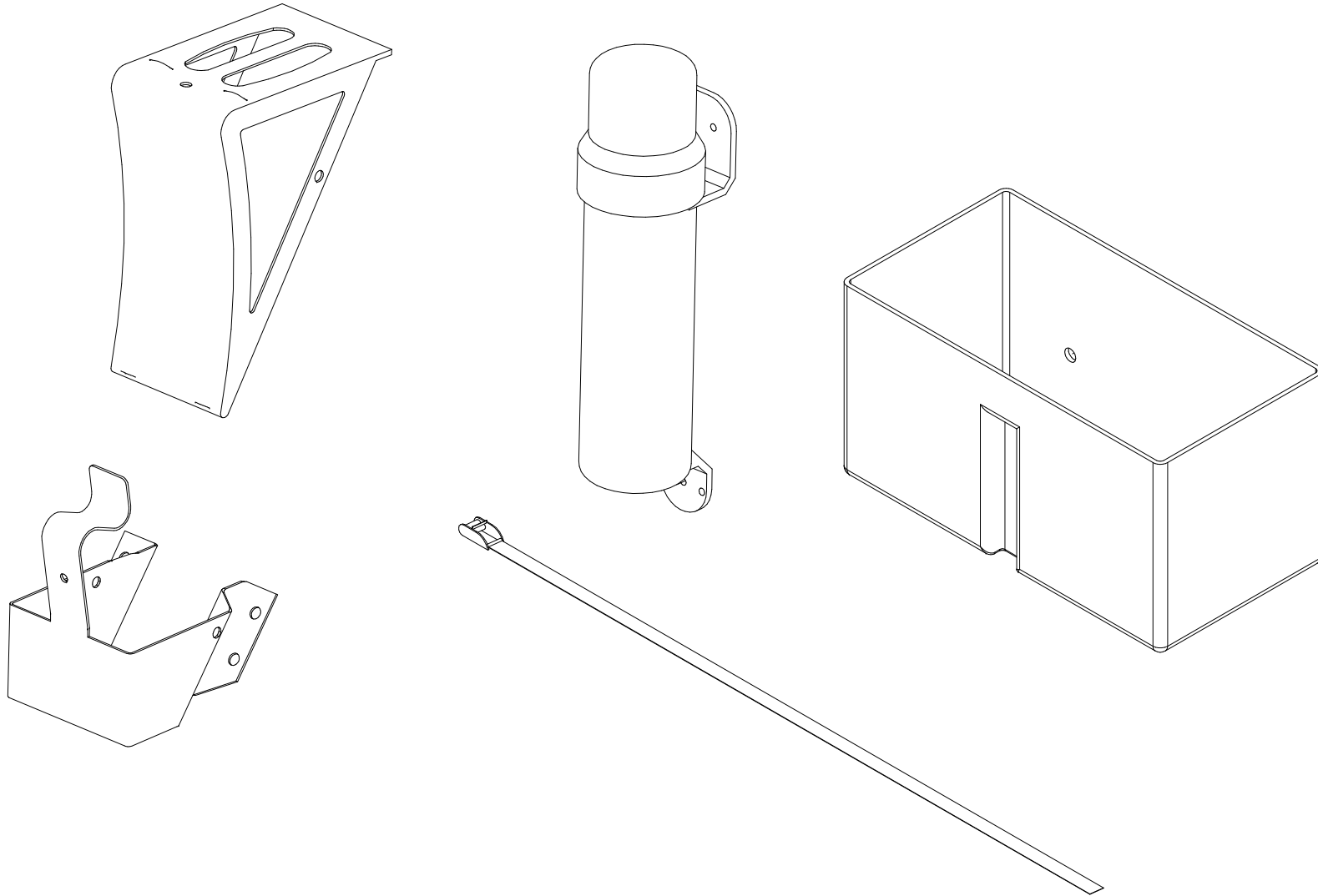
No.	Part No	Description	Qty
1	CST00903	DECAL UTTO THF OIL FOR PUMP	1
2	CST00901	DECAL TIE DOWN	1
3	CST00923	DECAL JACKING POINT	1
4	CST01000	REMOVE PANEL BEFORE UNLOADING	1
5	CST00032	DECAL LIFTING HOOK	1
6	CST00060	DECAL GREASE GUN MCH 004	1
7	CST00920	DECAL BILL HOOK TRIPPED SIGNAL	1

Logo & Decal Kit (1379)

<p>1.</p> 	<p>2.</p> 	<p>3.</p> 
<p>5.</p> 	<p>6.</p> 	<p>7.</p> 
<p>9.</p> 	<p>10.</p> 	<p>11.</p> 

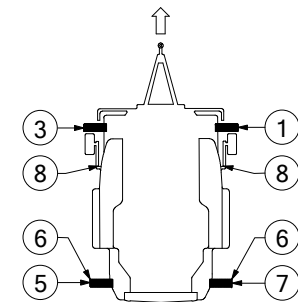
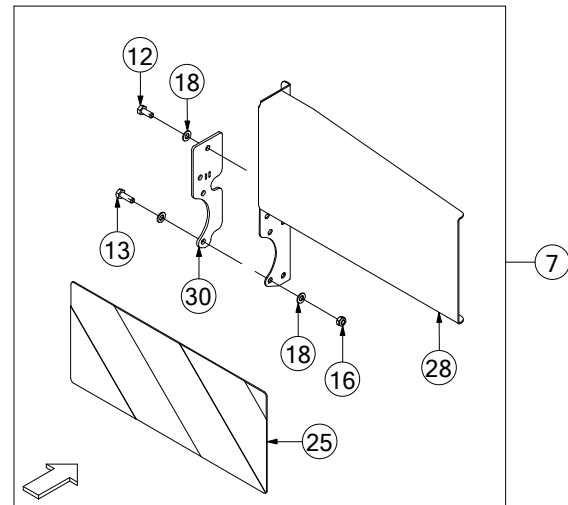
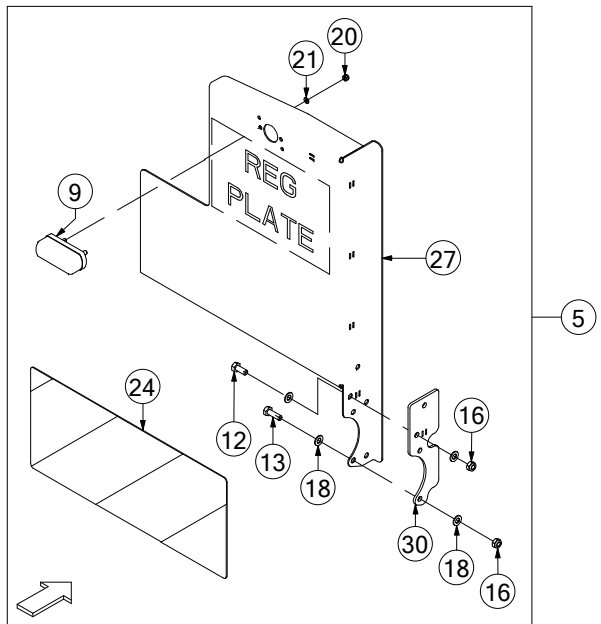
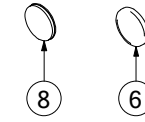
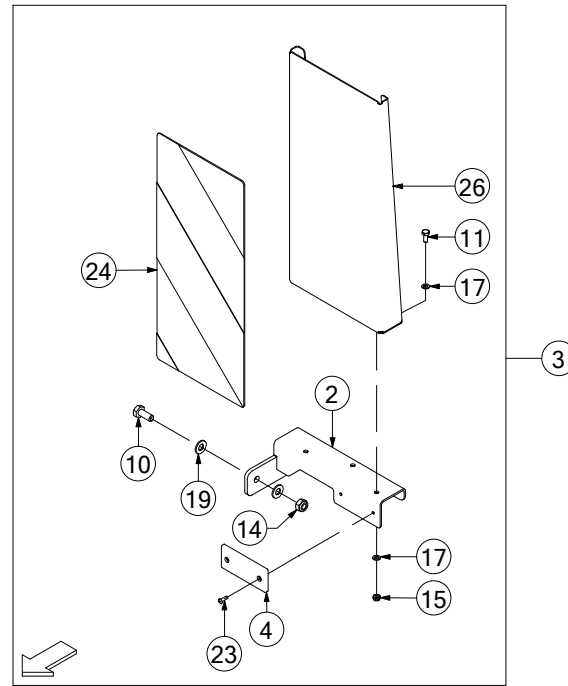
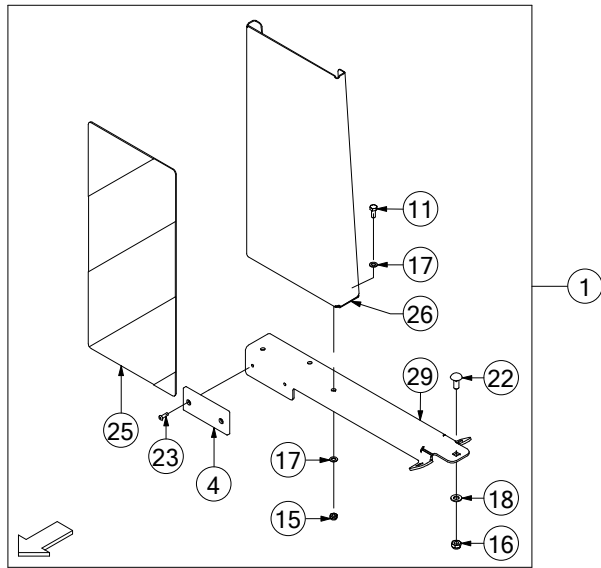
No.	Part No	Description	Qty
1	CST00969	LEFT PANEL DECAL V67 AND V89 SERIES	1
2	CST00970	RIGHT PANEL DECAL V67 AND V89 SERIES	1
3	CST00974	BACK PANEL MCHALE LOGO V67 AND V89 SERIES	1
4	CST00981	BACK PANEL V SERIES RECESS MIDDLE	1
5	CST00982	BACK PANEL V SERIES RECESS BOTTOM	1
6	CST01003	BACK PANEL V8 LOGO	1
7	CST01008	LEFT PANEL LOGO V8940	1
8	CST01009	RIGHT PANEL LOGO V8941	1
9	CST01021	V8 LEFT SIDE BACK PANEL DECAL	1
10	CST01022	V8 RIGHT SIDE BACK PANEL DECAL	1
11	CST00989	DECAL KIT V8940	1

Accessories



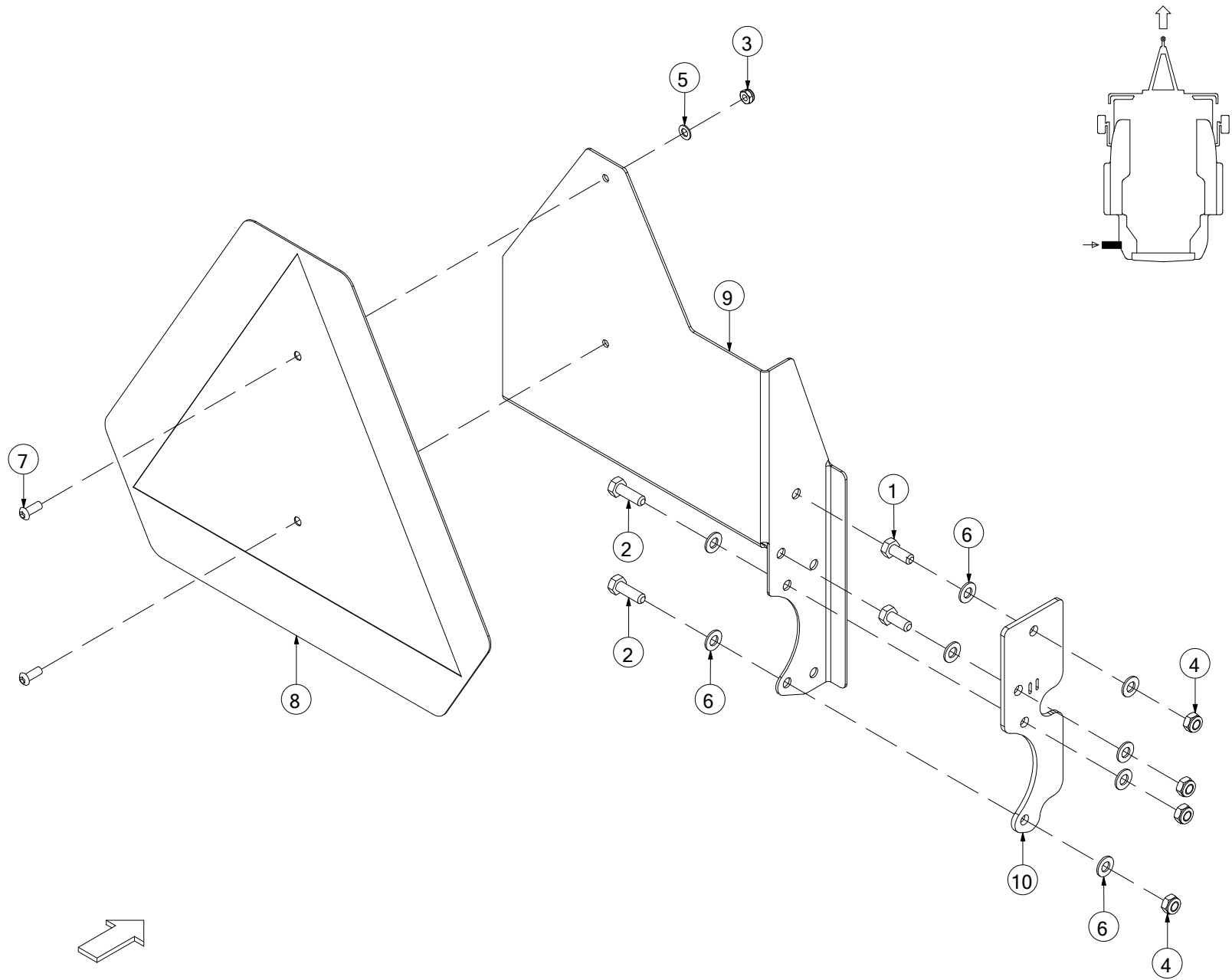
No.	Part No	Description	Qty
1	SPD01399	ACCESSORIES	

Marker Board & Reg Plate Europe (1370)



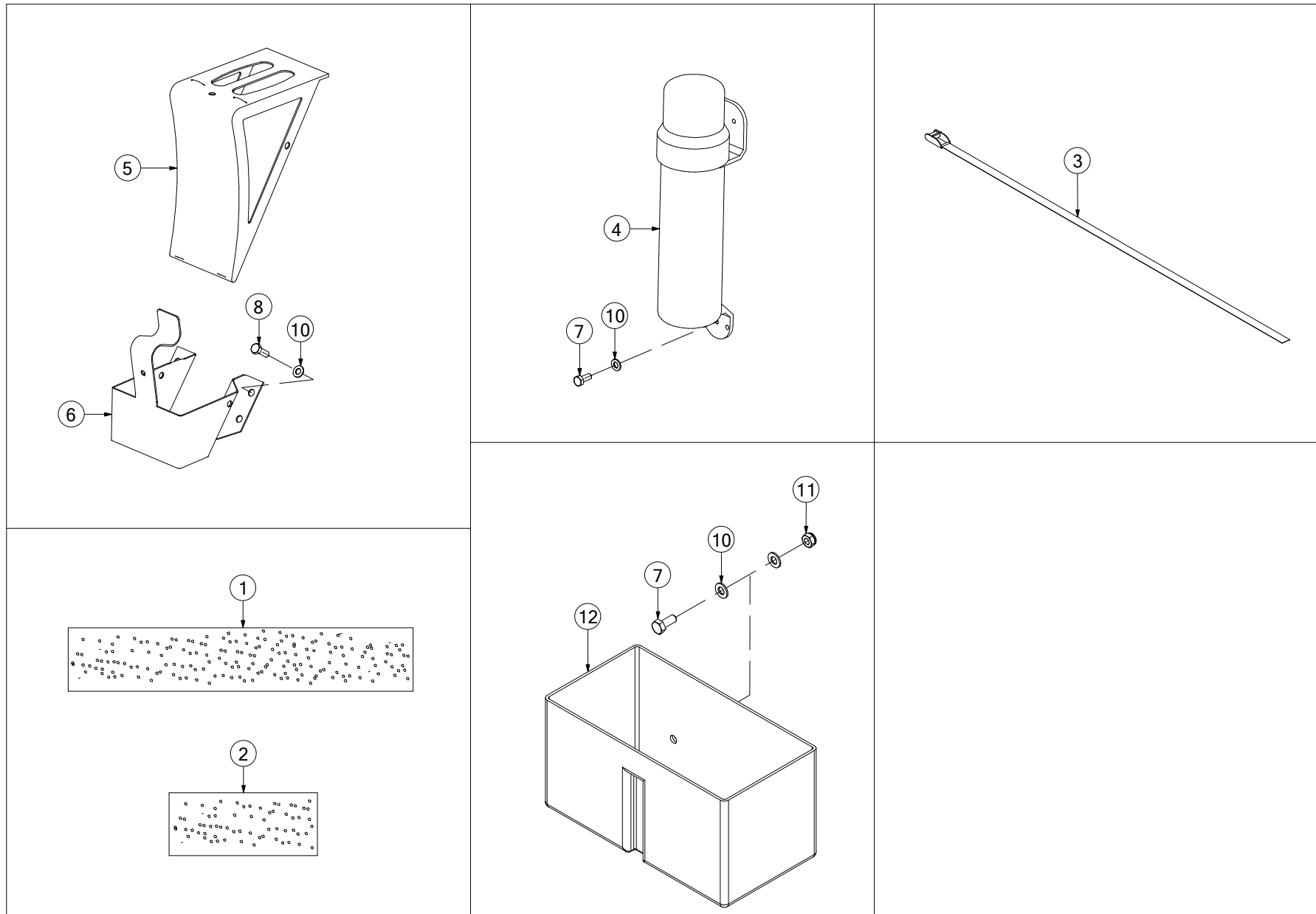
No.	Part No	Description	Qty
1	ACH03102	V6 MARKER BOARD RIGHT SIDE ASSY	1
2	ACH03100	V6 MARKER BOARD BRACKET WELD ASSY	1
3	ACH03101	V6 MARKER BOARD LEFT SIDE ASSY	1
4	CEL00079	REFLECTOR FRONT RECTANGULAR	2
5	ACH03164	MARKER BOARD AND REG PLATE V6 AND V8	1
6	CEL00239	ROUND AMBER REFLECTOR BOLT ON TYPE	1
7	ACH03165	MARKER BOARD RHS V6 AND V8	1
8	CEL00643	60MM AMBER REFLECTOR 07.039.000	1
9	CEL01662	REG LIGHT, RADEX802, 900 MM CABLE	1
10	CFA00024	SETSCREW M10X25 Z/P	1
11	CFA00045	SETSCREW M6X16	2
12	CFA00052	SETSCREW M8X20 Z/P	2
13	CFA00102	SETSCREW M8X25 Z/P	2
14	CFA00123	NUT M10 NYLOC	1
15	CFA00131	NUT M6 NYLOC	2
16	CFA00132	NUT M8 NYLOC Z/P	5
17	CFA00144	WASHER FLAT 6MM Z/P	4
18	CFA00147	WASHER FLAT 8MM Z/P	9
19	CFA00201	WASHER FLAT 10 MM Z/P	2
20	CFA00321	NUT M5 NYLOC	1
21	CFA00337	WASHER FLAT 5MM Z/P	1
22	CFA00506	SETSCREW M8X20 CUPHEAD SQ ZP	1
23	CFA02339	POP RIVET ALU 4X14	2
24	CST00958	MARKER BOARD STICKER 423X188 LH TYPE APPROVED	2
25	CST00959	MARKER BOARD STICKER 423X188 RH TYPE APPROVED	2
26	CZB04771	1.5MM L MARKER BOARD 423X188MM REFLECTOR	2
27	CZB04790	2MM L MARKER BOARD + REG PLATE	1
28	CZB04791	2MM L MARKER BOARD RHS	1
29	CZC05658	3MM L V6 MARKER BOARD PART	1
30	CZD05546	4MM L MARKER BOARD PART V SERIES	2

SMV Sign America [Option] (1371)



No.	Part No	Description	Qty
1	CFA00052	SETSCREW M8X20 Z/P	2
2	CFA00102	SETSCREW M8X25 Z/P	2
3	CFA00131	NUT M6 NYLOC	2
4	CFA00132	NUT M8 NYLOC Z/P	4
5	CFA00144	WASHER FLAT 6MM Z/P	2
6	CFA00147	WASHER FLAT 8MM Z/P	8
7	CFA00427	SETSCREW M6X16 BUTTON HEAD Z/P	2
8	CST00251	SLOW MOVING VEHICLE SIGN SMV AMERICA	1
9	CZB04787	2MM L SLOW MOVING SIGN BRACKET V67, V89	1
10	CZD05546	4MM L MARKER BOARD PART V SERIES	1

Accessories 1 (1398)



No.	Part No	Description	Qty
1	CST00757	GRIP TAPE FOR PLATFORM 1.2M	1
2	CST00764	GRIP TAPE FOR PLATFORM 500MM	1
3	CFA00614	WEBBING CAM BUCKLE 1.15M 25MM BLK	1
4	CPL00221	MACHINE MANUAL HOLDER CIRCULAR	1
5	CTP00075	PARKING CHOCKS BALER	1
6	CTP00076	BRACKET FOR PARKING CHOCK	1
7	CFA00052	SETSCREW M8X20 Z/P	1
8	CFA00102	SETSCREW M8X25 Z/P	1
9	CFA00102	SETSCREW M8X25 Z/P	1
10	CFA00147	WASHER FLAT 8MM ZP	1
11	CFA00132	NUT M8 NYLOC Z/P	1
12	CPL00045	TOOLBOX PLAS 270X151X13	1