

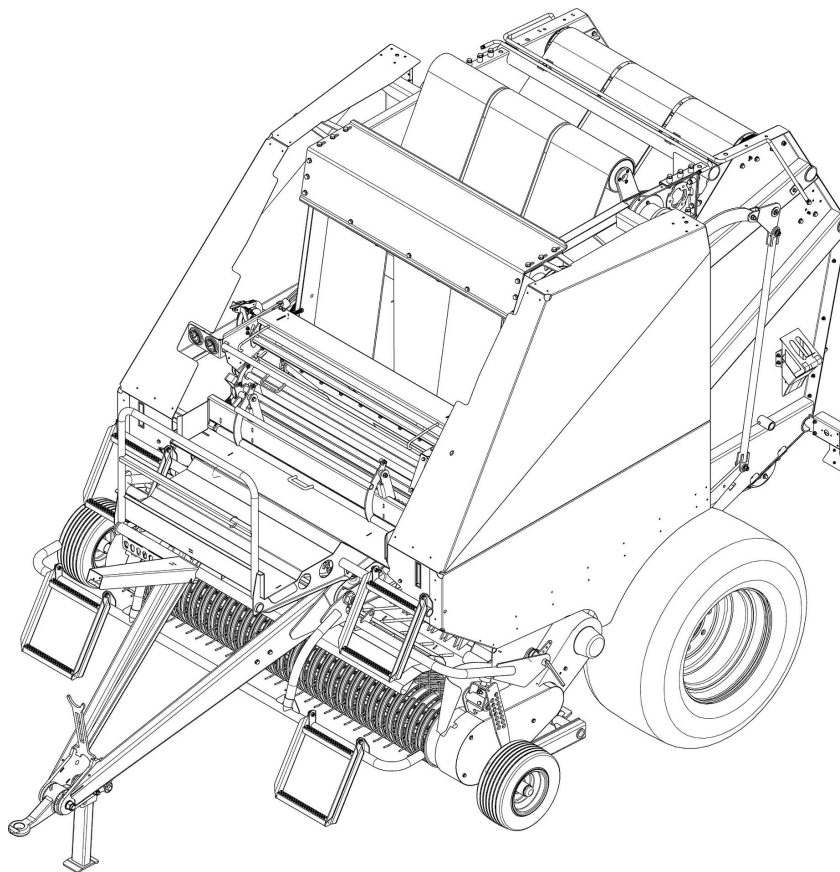
# McHale V660



QUALITY

I.S. EN ISO 9001:2008

NSAI Certified



## V660 Spare Parts Book

[up to serial no. 800099]

McHale,  
Ballinrobe,  
Co. Mayo, Ireland.

Tel: +353 94 9520300

Fax: +353 94 9520356

Email: [sales@mchale.net](mailto:sales@mchale.net)

Website: [www.mchale.net](http://www.mchale.net)

---

This page is intentionally left blank

---

## Introduction

---

The **McHale V660** which you have purchased has been developed through years of constant research and development. Given proper care and attention the **V660** will give years of reliable and dependable performance. However it is important that the operators manual is read and fully understood to achieve this, **before** the machine is operated. As part of this philosophy it is vital to use only **genuine McHale** replacement parts, as these are manufactured to the same high standard as the original machine. These may be obtained through your **McHale** dealer.

If any part of this manual is not fully understood, please contact your **McHale** dealer who will be able to answer any questions or queries that you might have. It is important to quote the machine serial number when requiring spare parts or technical assistance. Space is provided below to record the machine details:

<b>Serial number:</b>	
<b>Year of manufacture:</b>	
<b>Date of delivery:</b>	

If you require further copies of this spare parts manual please  
quote part number CLT00233

**Note:** Parts described as left and right are done so according to the direction that the machine normally travels in.

**Note:** Due to a policy of continuous product development and improvement *McHale Engineering* reserve the right to alter machine specifications without prior notice.

# Contents

Section	Page No	Document No	Section	Page No	Document No
<b>Pick-up unit</b>			Top slatted roller (591)	52	SPD00591
Pick-up reel shaft (622)	6	SPD00622	Bottom idle roller (592)	54	SPD00592
Pick-up reel chassis (623)	8	SPD00623	Top idle roller (593)	56	SPD00593
Pick-up 3 (624)	10	SPD00624	Small idle roller bottom (594)	58	SPD00594
Pick-up 4 (625)	12	SPD00625	Small idle roller top (595)	60	SPD00595
Pick-up 5 (626)	14	SPD00626	Bottom auger (596)	62	SPD00596
Pick-up drop floor (627)	16	SPD00627	Top auger (597)	64	SPD00597
Crop roller [Used on V6 up to serial no 800615] (632)	18	SPD00632	Belts & Chains (601)	66	SPD00601
<b>PTO shaft &amp; Gearbox</b>			Front chamber LHS 1 (607)	68	SPD00607
PTO shaft [WWE2480]	20	SPD00491	Front chamber LHS 2 (609)	70	SPD00609
Gearbox 1 (605)	22	SPD00605	Front chamber RHS 1 (611)	72	SPD00611
Gearbox 2 (135)	24	SPD00135	Rear door (583)	74	SPD00583
<b>Chassis</b>			<b>Netter</b>		
Drawbar (599)	26	SPD00599	Netter 1 (604)	76	SPD00604
Steps & Platform (600)	28	SPD00600	Netter 2 (606)	78	SPD00606
Bale damper (586)	30	SPD00586	Netter 3 (614)	80	SPD00614
Axle (139)	32	SPD00139	Netter 4 (620)	82	SPD00620
Wheels (602)	34	SPD00602	Netter 5 [Up to Serial No 800349] (621)	84	SPD00621
Chassis1 (608)	36	SPD00608	<b>Hydraulic &amp; Electrical</b>		
Panels (610)	38	SPD00610	Hydraulic layout (603)	86	SPD00603
<b>Bale chamber</b>			Hydraulic rams pick-up reel CRA00186 (182)	88	SPD00182
Tensioner arm rollers (582)	40	SPD00582	Hydraulic rams drop floor CRA00193 (184)	90	SPD00184
Rocker arm rollers (584)	42	SPD00584	Hydraulic rams net knife reset ram (616)	92	SPD00616
Rear door rollers (587)	44	SPD00587	Hydraulic rams baler door (617)	94	SPD00617
Top drive roller (588)	46	SPD00588	Hydraulic rams bale tension (618)	96	SPD00618
Bottom drive roller (589)	48	SPD00589	Grease system 1 (615)	98	SPD00615
Bottom slatted roller (590)	50	SPD00590	Oil system 1 (619)	100	SPD00619
			Oil & Grease fittings (553)	102	SPD00553

---

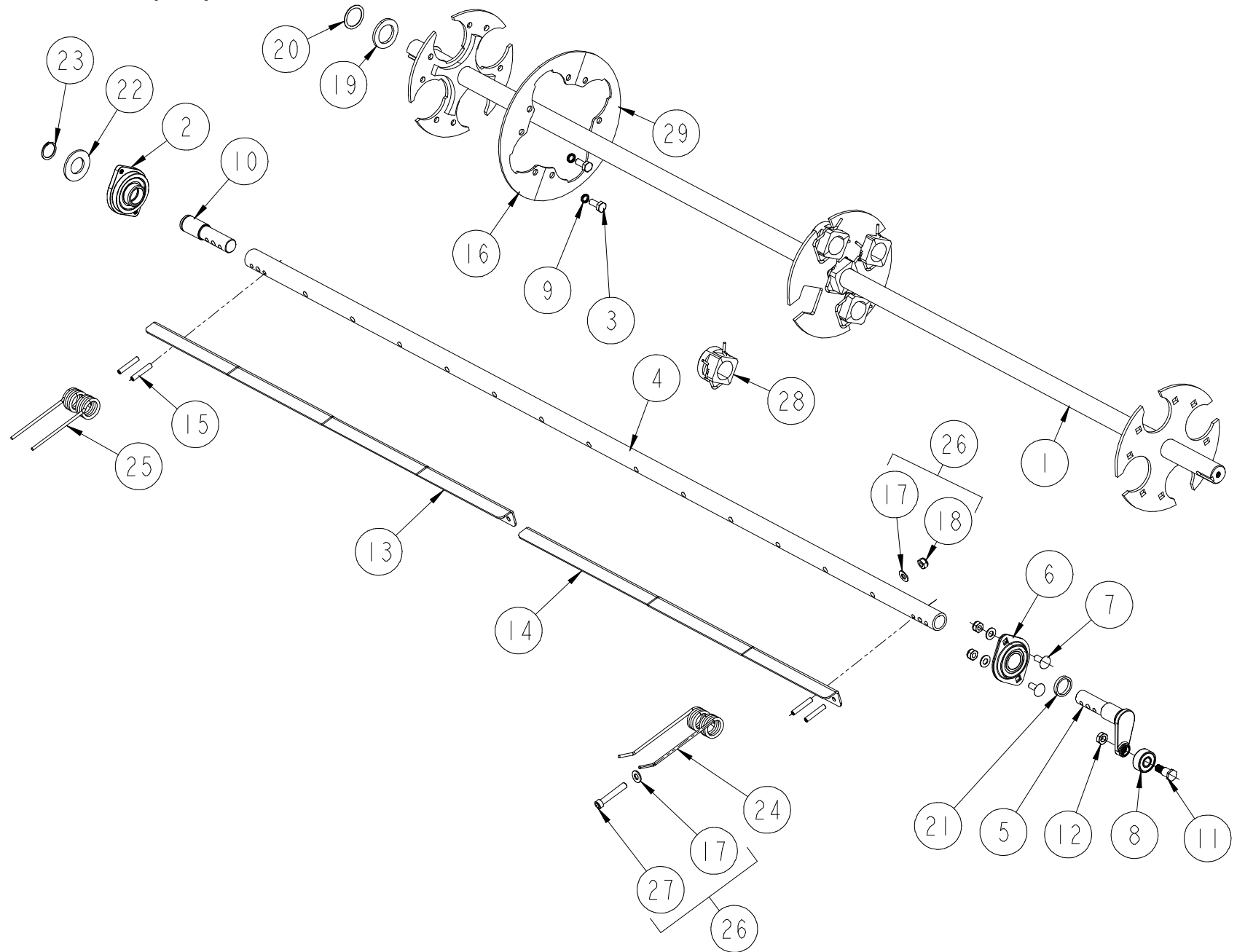
Section	Page No	Document No	Section	Page No	Document No
---------	---------	-------------	---------	---------	-------------

---

**Decals**

Decals 1 (628)	104	SPD00628			
Decals 2 (629)	106	SPD00629			
Decals 3 (630)	108	SPD00630			

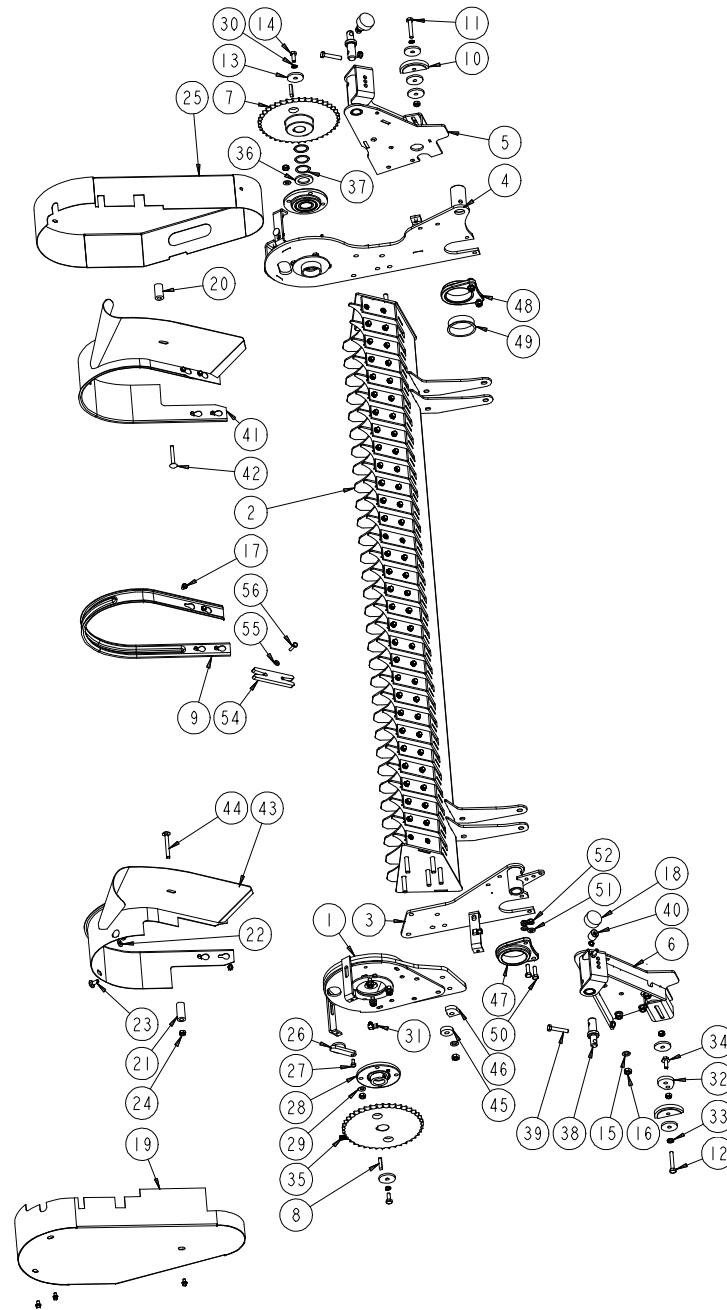
**Pick-up reel shaft (622)**



No.	Part No	Description	Qty
1	ACH00309	PICK UP REEL SHAFT ASSY	1
<i>FOR 4 TINE BAR REEL ONLY</i>			
1	ACN00046	PICK UP REEL SHAFT ASSY 5 BAR	1
<i>FOR 5 TINE BAR REEL ONLY</i>			
2	ACH02226	REEL BEARING FLOATING ASSY	4
<i>QTY IS 5 FOR A 5 TINE BAR REEL</i>			
3	CFA00024	SETSCREW M10X25 Z/P	16
4	ALA00046	TYNE BAR ASSY REEL	4
5	ACH00310	CAM AXLE (WELDED)	4
<i>REPLACED BY CTP00251 (ACH00310 CAN ONLY BE USED ON A 4-TINE BAR REEL)</i>			
5	CTP00251	CAM AXLE (FORGED)	4
<i>REPLACES ACH00310 (CTP00251 CAN BE USED ON A 4 OR 5-TINE BAR REEL)</i>			
6	CBR00072	BEARING INA 2 BOLT RAE 30 NPPB	4
<i>QTY IS 5 FOR A 5 TINE BAR REEL</i>			
7	CFA00442	SETSCREW M10X25 CUP SQ	16
8	CBR00081	BEARING CAM INA LR 5202 NPPU	4
9	CFA00137	WASHER SPRING 10MM ZP HD	16
10	CMH00843	SHAFT 30X125 STEPPED & C-HOLES	4
11	CMH00672	BOLT SHOULDER 3/4" H	4
12	CFA00446	NUT M12 HEXAGON LOCK/HALF NUT	4
13	CZC02139	3MM L TYNE BAR CHANNEL BALER	4
14	CZC02140	3MM L TYNE BAR CHANNEL BALER	4
15	CFA00538	SPIROL PIN 8X45 S/C	16
16	CZD02285	4MM L REEL GRASS PLATE	4
<i>FOR 4 TINE BAR REEL ONLY</i>			
16	CZD04425	4MM L GRASS GUARD 5 TINE BAR REEL	2
<i>FOR 5 TINE BAR REEL ONLY</i>			
17	CFA02244	WASHER	76
18	CFA00541	NUT	76
19	CZE00156	5MM L WASHER 35X55X5 Z/P	1
20	CFA00512	SHIM 35X45X1.0 Z/P	3
21	CZF02933	6MM L WASHER 30X37X6 Z/P, WITH ACH00310 ONLY	4
22	CZD02325	4MM L WASHER 30X58X4 Z/P	4
23	CFA00402	CIRCLIP 30MM EXTERNAL	4
24	CTN00008	TINE PICK UP REEL	52
25	CTN00014	TINE STRAIGHT PICK UP REEL	8
26	KST00058	KIT	6
<i>(INCLUDES ITEMS 17, 18 &amp; 27) THESE ITEMS ARE SUPPLIED IN MULTIPLES OF 10</i>			
27	CFA00664	BOLT M10X60 SOC CAP Z/P	60
28	ALA00177	BUSHING CENTER (ASSY) REEL	5
<i>QTY IS 6 FOR A 5 TINE BAR REEL</i>			
29	CZD04424	4MM L GRASS GUARD 5 TINE BAR REEL	2
<i>FOR 5 TINE BAR REEL ONLY</i>			

No.	Part No	Description	Qty
-----	---------	-------------	-----

# Pick-up reel chassis (623)

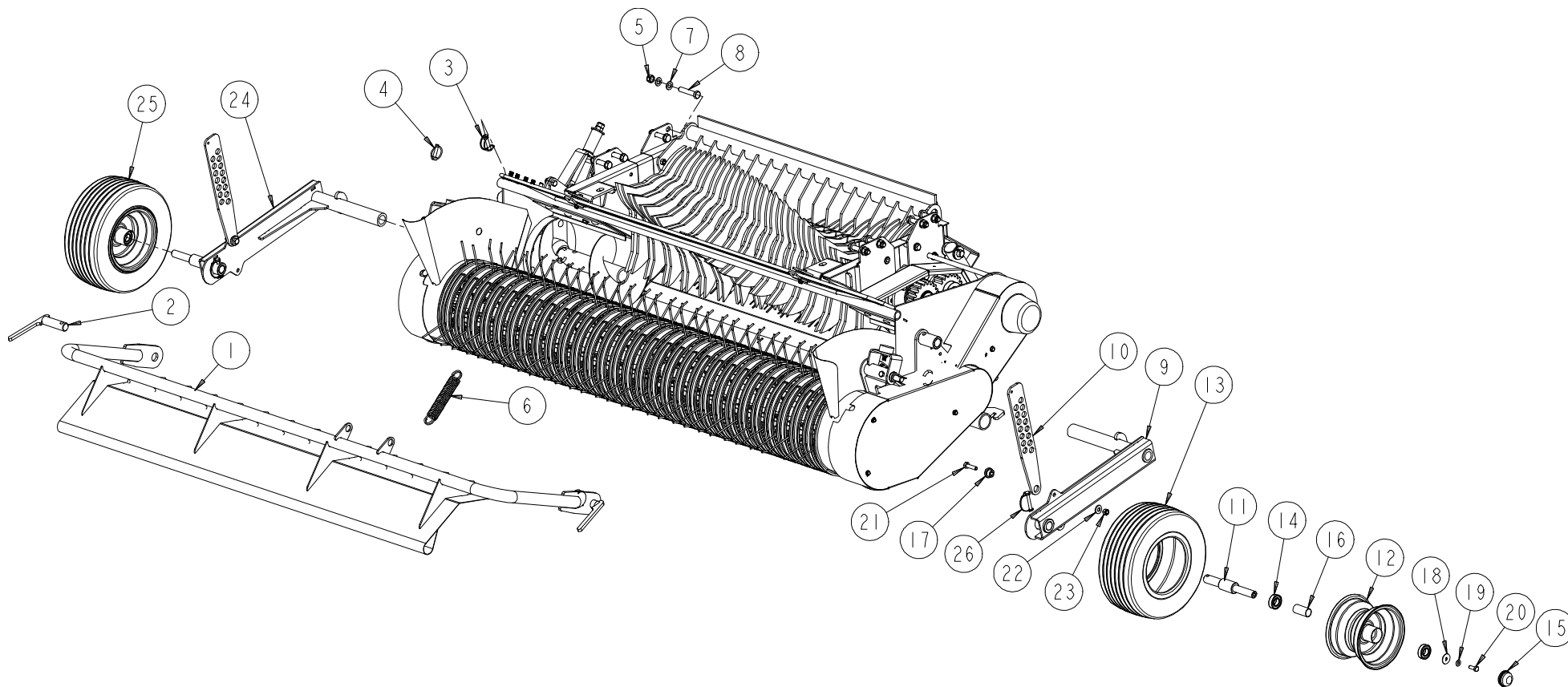




No.	Part No	Description	Qty
1	CTP00252	CAM TRACK FORGED	1
	<i>REPLACES ACH00308</i>		
1	ACH00308	CAM TRACK ASSEMBLY	1
	<i>REPLACED BY CTP00252</i>		
1	ACH00354	CAM TRACK ASSEMBLY RECESSED PROFILE TYPE	1
	<i>FOR DUTCH MACHINES</i>		
2	ACH01004	REEL BACK PLATE WELD ASSY	1
3	ACH02351	REEL INNER BRACKET LEFT FUSION II	1
4	ACH02352	REEL INNER BRACKET RIGHT FUSION II	1
5	ACH00298	REEL WELD ASSY OUTER (RIGHT)	1
6	ACH00301	REEL WELD ASSY OUTER (LEFT)	1
7	CMH00621	PLATWEHEEL 3/4" PITCH 40 T	2
8	CFA00624	KEY 10x8x40 STRAIGHT	2
9	CTP00048	BAND PICKUP REEL (BALER)	29
10	CPL00043	PLASTIC CHAIN TENSIONER (REEL)	2
11	CFA00026	BOLT M10X60	1
12	CFA00028	BOLT M10X65 Z/P	1
13	CZF02215	6MM L WASHER 10.5X50X6 Z/P	7
14	CFA00024	SETSCREW M10X25 Z/P	4
15	CFA00138	WASHER FLAT 12MM Z/P	10
16	CFA00124	NUT M12 NYLOC	10
17	CFA00766	SETSCREW M8X20 FLANGED Z/P	130
	<i>REPLACES CFA00492 M8X12</i>		
18	CBE00182	BUFFER RUBBER 50X21 M10X13	2
19	CGD00034	GUARD REEL LEFT HAND	1
20	CMH00740	BUSH 12X25X45	1
21	CMH00741	BUSH 12X25X55	1
22	CFA00201	WASHER FLAT 10 MM Z/P	4
23	CFA00442	SETSCREW M10X25 CUP SQ	4
24	CFA00123	NUT M10 NYLOC	19
25	CGD00036	GUARD REEL RIGHT	1
26	CGD00050	CAM TRACK BLANKING CAP	1
27	CFA00101	SETSCREW M8X16 Z/P	1
28	CBR00092	BEARING CIRCR FLNGE INA PME 35	2
29	CFA00251	WASHER SKM10	8
30	CFA00137	WASHER SPRING 10MM ZP HD	5
31	CFA00542	OILER FITTING 90 DEG 1/8" BSP	2
32	CZH02907	10MM L WASHER 10X50 FLAT SIDE ZP	1
33	CFA00207	WASHER SPRING 12MM HD ZP	1
34	CFA00520	SETSCREW M10X25 FLD ZP	1
35	CFA00625	M10 x 20 GRUBSCREW	2
36	CZE00156	5MM L WASHER 35X55X5 Z/P	1
37	CFA00512	SHIM 35X45X1.0 Z/P	3
38	CMH01035	PIN 25X97 AND12MM CH (Z/P)	2
39	CFA00027	BOLT M10X60 Z/P	2
40	CMH01088	BUSH 10X25X25 THREADED Z/P	2
41	ACH02315	OUTER BAND RHS	1
42	CFA00474	BOLT M10X70 CUP SQUARE ZP	1
43	ACH02316	OUTER BAND LHS	1

No.	Part No	Description	Qty
44	CFA00546	BOLT M10X85 CUP HEAD SQ Z/P	1
45	CZI02045	12MM L WASHER 39.5X12.5X12	2
46	CZI02046	12MM L WASHER DOWEL	2
47	ALA00285	REEL PIVOT BRACKET IGLIDUR	2
48	ALA00314	PICKUP REEL PIVOT BRACKET KIT	1
49	CBR00274	BEARING IGLIDUR GFM-7680-25	2
50	CFA00016	BOLT M10X35	4
51	CFA00201	WASHER FLAT 10 MM Z/P	4
52	CFA00123	NUT M10 NYLOC	4
53	CFA00550	ROTOR BEARING GREASE FITTING	1
54	CZJ04216	15MM L PICKUP REEL S	29
55	CFA00147	WASHER FLAT 8MM Z/P	58
56	CFA00316	BOLT M8X30 Z/P	58

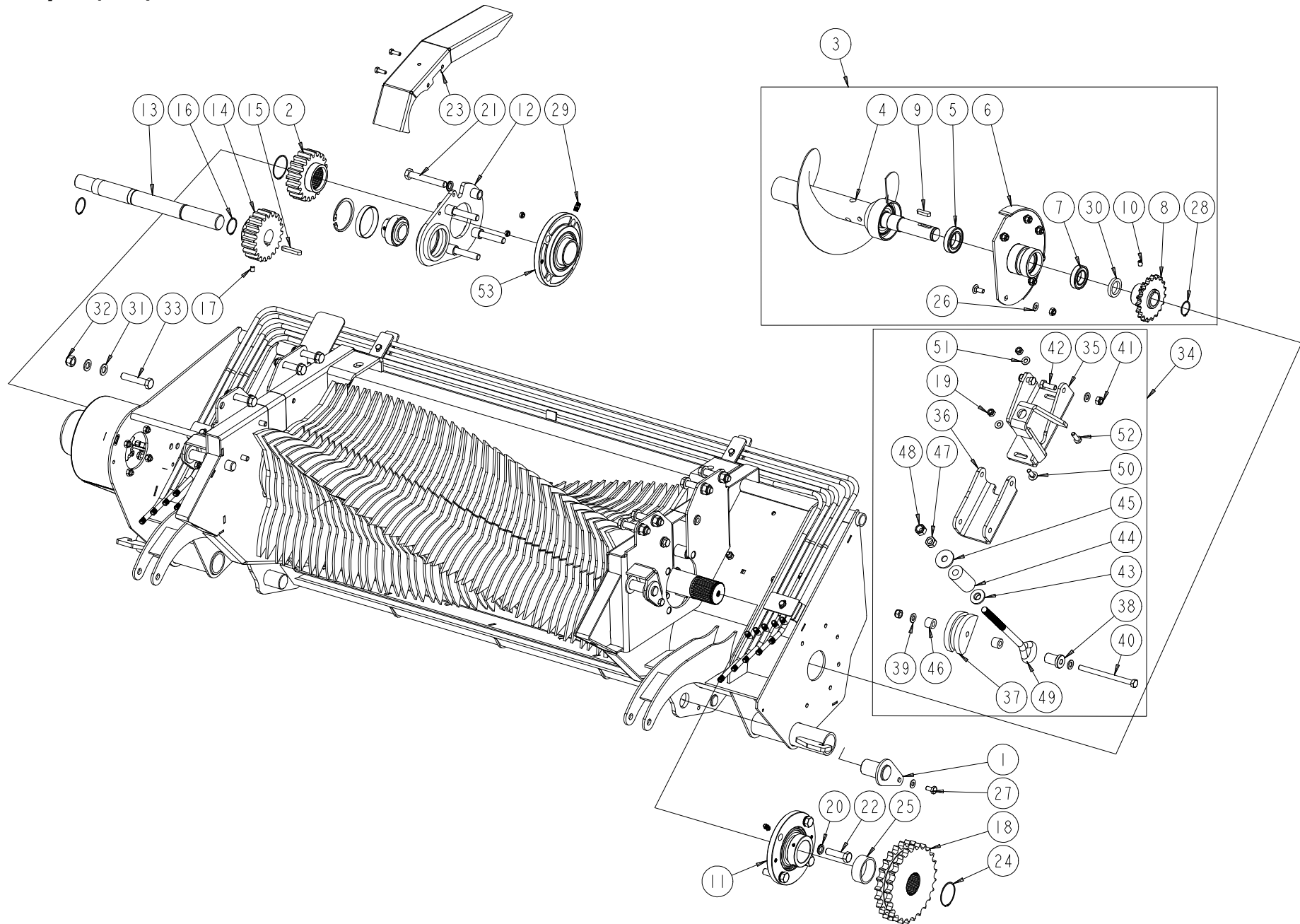
# Pick-up 3 (624)



No.	Part No	Description	Qty
1	ACH02331	GRASS GUARD ASSY FUSION II	1
2	ALA00035	HINGE PIN REEL FRONT	2
3	CFA00194	LINCH PIN PIPE 10MMX50MM	2
4	CFA00005	LINCH PIN 10MM	2
5	CFA00128	NUT M16 NYLOC	10
6	ACN00065	GRASS GUARD CHAIN ASSY FUSION II	1
7	CFA00140	WASHER FLAT 16MM Z/P	28
8	CFA00498	BOLT M16 X 80 Z/P	8
9	ADB00052	PICKUP WHEEL ASSY ST BALER	1
10	CZG04245	8MM L WHEEL GUIDE PART	1
11	CMH00962	PIN 30X200 STEPPED	1
12	CWH00035	WHEEL RIM 5.50X8	1
13	CWH00036	TYRE 170/60-8 VREDESTEIN 6PLY	1
14	CBR00009	BEARING 6205 2RS	2
15	CTP00070	DUST CAP 170/60-8 VREDESTEIN	1
16	CMH00838	BUSH 27X30.25X62 REEL WHEEL	1
17	CMH00771	BUSH 12X35 STEPPED	1
18	CFA00134	WASHER MUDWING M10X38MM OD	1
19	CFA00251	WASHER SKM10	1
20	CFA00025	SETSCREW M10X30	1
21	CFA00079	BOLT M12X45	1
22	CFA00139	WASHER FLAT 12MM H/D Z/P	1
23	CFA00124	NUT M12 NYLOC	1
24	ADB00051	PICKUP WHEEL COMP ASSY RIGHT	1
25	CWH00037	WHEEL 170/60 8 ( V 64 )	1
26	CFA00708	LINCH PIN PIPE 9.5X57	2

No.	Part No	Description	Qty
-----	---------	-------------	-----

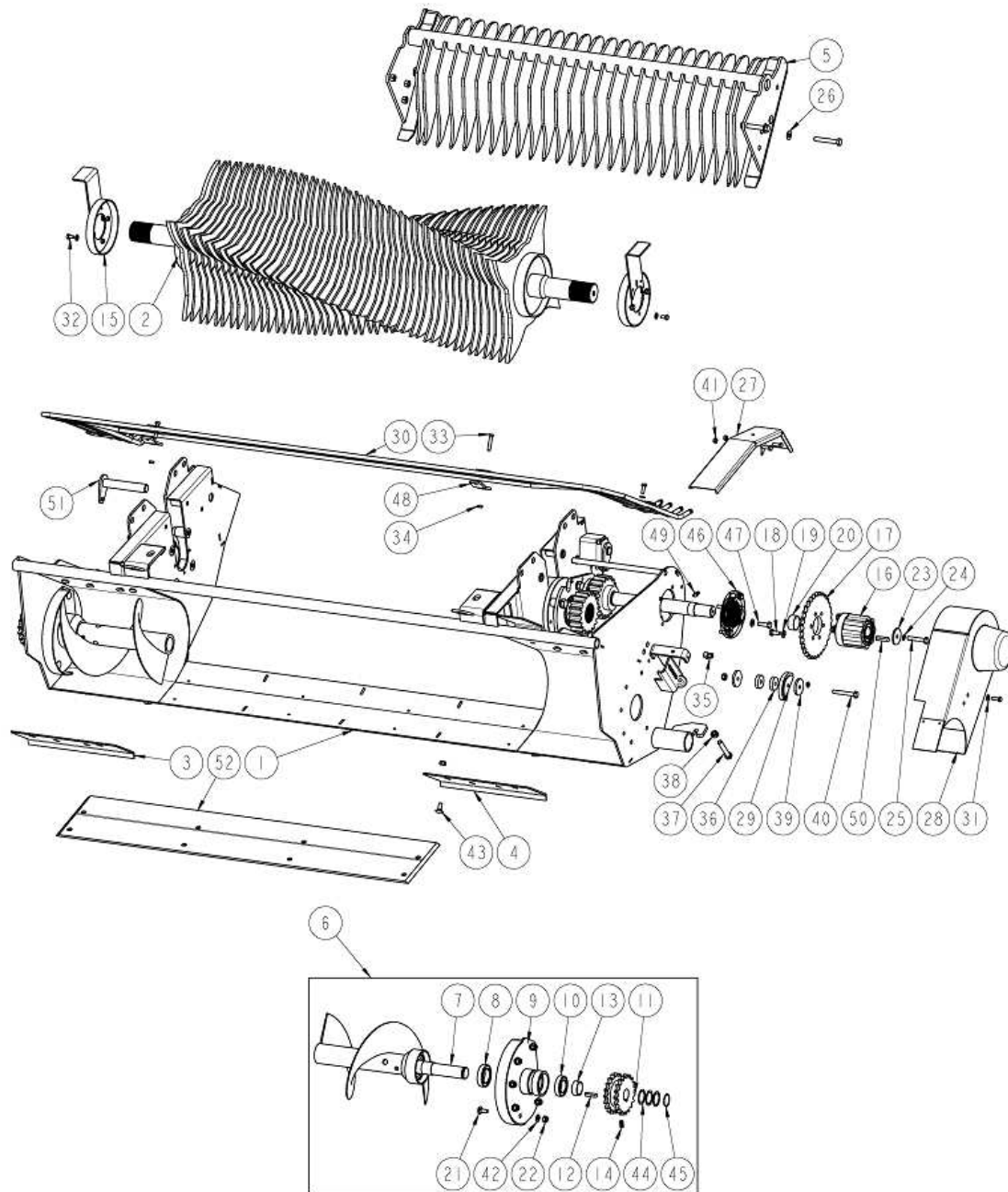
**Pick-up 4 (625)**



No.	Part No	Description	Qty
1	ACH00321	PIN CHOPPER FLOOR HINGE Z/P	2
2	CMH00652	GEAR SPUR MOD6 20 TOOTH SPLINE	1
3	ACH00328	AUGER COMPLETE ASSY. (RIGHT)	1
4	ACH00327	AUGER ASSY. (RIGHT)	1
5	CBR00076	BEARING 6008 2RS	1
6	ACH00313	BEARING HOUSING WELD ASSY.	1
7	CBR00001	BEARING 6007 2RS	1
8	ACH00326	SPROCKET AUGER ASSY. (RIGHT)	1
9	CFA00239	KEY 10X8X40	1
10	CFA00559	GRUBSCREW M10X12	1
11	ARC00067	ROTOR BEARING ASSY DRIVE SIDE	1
12	ACH00331	BEARING HOLDER ASSY	1
13	CMH00657	SHAFT 40 X 450.5 STE	1
14	CMH00653	GEAR SPUR MOD6 20T 40MM ID	1
15	CFA00558	KEY 12X8X60	1
16	CFA00551	CIRCLIP 40MM EXTERNAL	2
17	CFA00559	GRUBSCREW M10X12	1
18	CMH00659	SPROCKET 1" PITCH 25 T DUPLEX	1
19	CFA00123	NUT M10 NYLOC	28
20	CFA00783	WASHER NL16 NORD-LOCK	8
21	CFA00787	BOLT M16X100 Z/P DIN931 GRADE 10.9	4
22	CFA00786	BOLT M16X60 Z/P DIN931 GRADE 10.9	4
23	CZB02160	1.5MM L SPUR GEAR GUARD BALER	1
24	CFA00513	CIRCLIP 60MM EXTERNAL	2
25	CXT00262	TUBE 70X4.5X27 RAM TUBE	1
26	CFA00251	WASHER SKM10	18
27	CFA00023	SETSCREW M10X20 Z/P	2
28	CFA00514	CIRCLIP 35MM EXTERNAL	2
29	CFA00550	ROTOR BEARING GREASE FITTING	2
30	CZG02115	8MM L AUGER SPACER	1
31	CFA00140	WASHER FLAT 16MM Z/P	16
32	CFA00128	NUT M16 NYLOC	8
33	CFA00498	BOLT M16 X 80 Z/P	8
34	ACH00865	DUPLEX TENSIONER	1
35	ACH00864	DUPLEX CHAIN TENSIONER BASE	1
36	ACH02294	DUPLEX TENSIONER WELD ASSY	1
37	CPL00055	CHAIN TENSIONER SLIDE 1"DUPLEX	1
38	CMH01022	BUSH 8X35X45 STEPPED	1
39	CFA00138	WASHER FLAT 12MM Z/P	4
40	CFA00747	BOLT M12X170Z/P	1
41	CFA00124	NUT M12 NYLOC	3
42	CFA00033	SETSCREW M12X35 Z/P	2
43	CMH01109	WASHER 17X40X12 Z/P	1
44	CBE00174	RUBBER SPRING 16X40X80	1
45	CZD04321	4MM L WASHER 16X40X4 Z/P	1
46	CMH01110	BUSH 12X25X19.5	2
47	CFA00127	NUT M16	1
48	CFA00128	NUT M16 NYLOC	1

No.	Part No	Description	Qty
49	CFA00784	EYE BOLT M16X360 (DUPLEX TENSIONER)	1
50	CFA00017	SETSCREW M10X30 CUP SQ Z/P	1
51	CFA00201	WASHER FLAT 10 MM Z/P	3
52	CFA00025	SETSCREW M10X30	1
53	CBR00078	BEARING FEC 60 4 BOLT FLANGE	1

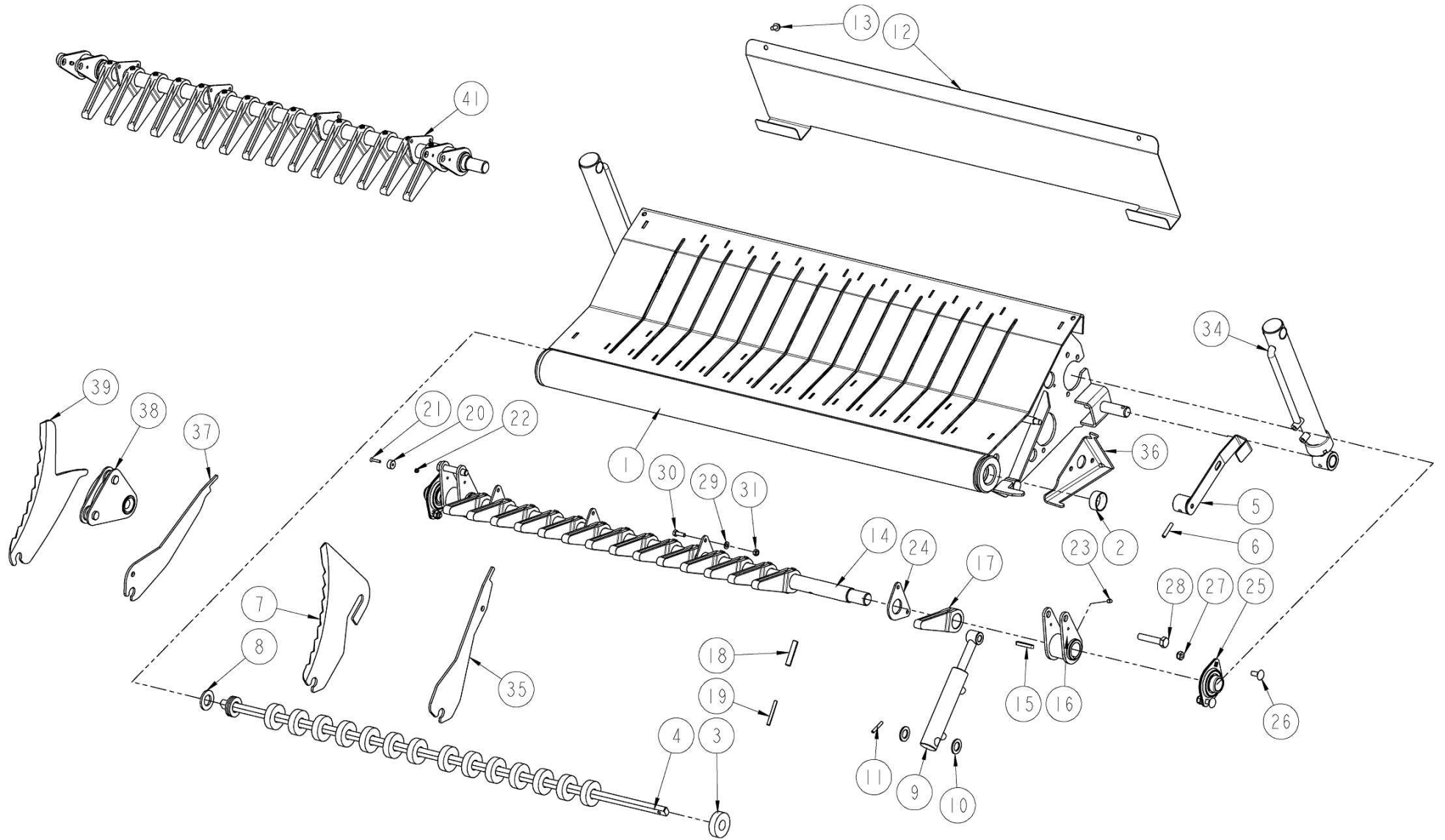
**Pick-up 5 (626)**



No.	Part No	Description	Qty
1	ACH02311	CHOPPER CHASSIS COMP WELD ASSY	1
2	ACH00573	15 KNIFE ROTOR WELD ASSY	1
2a	CZG02136	8MM L ROTOR PLATE (0-15 KNIFE)	AR
<i>REPLACEMENT ROTOR FINGER PLATE (NOTE: THERE ARE 2 FINGER PLATES PER FLIGHT)</i>			
3	CZD04345	4MM L AUGER CLEANING PLATE FUSION	1
4	CZD02227	4MM L CHOPPER UNIT PART	1
5	ACH02355	COMB WELD ASSY BELT BALER	1
6	ACH00325	AUGER COMPLETE ASSY. (LEFT)	1
7	ACH00314	AUGER LEFT SIDE	1
8	CBR00076	BEARING 6008 2RS	1
9	ACH00423	BEARING HOUSING WELD ASSY.	1
10	CBR00001	BEARING 6007 2RS	1
11	CMH00633	SPROCKET 3/4" PITCH 19T DOUBLE	1
12	CFA00239	KEY 10X8X40	1
13	CXT00259	TUBE 42.4X3X16	1
14	CFA00625	M10 x 20 GRUBSCREW	1
15	ARC00182	ROTOR SEAL RING ASSY (KOREA) M10	2
16	CMT00063	CLUTCH PICK-UP (900 Nm)	1
17	CMH00727	PLATEWHEEL 3/4" PITCH 32T	1
18	CFA00024	SETSCREW M10X25 Z/P	6
19	CFA00251	WASHER SKM10	6
20	CBR00268	BEARING GLACIER DU 4	1
21	CFA00442	SETSCREW M10X25 CUP SQ	12
22	CFA00123	NUT M10 NYLOC	28
23	CZD00121	4MM L CUT & TIE SPACER Z/P	1
24	CFA00137	WASHER SPRING 10MM ZP HD	2
25	CFA00027	BOLT M10X60 Z/P	1
26	CFA00250	WASHER SKM12	4
27	CZB02160	1.5MM L SPUR GEAR GUARD BALER	1
28	CGD00057	GUARD SLIPCLUTCH PICKUP REEL	1
29	CPL00043	PLASTIC CHAIN TENSIONER (REEL)	1
30	CHY02573	STEEL PIPE ASSY BELT BALER CHOPPER	1
31	CFA00249	WASHER SKM8	9
32	CFA00101	SETSCREW M8X16 Z/P	6
33	CFA00106	BOLT M8X45 Z/P	2
34	CFA00133	NUT M8 Z/P	2
35	CFA00542	OILER FITTING 90 DEG 1/8" BSP	1
36	CZH02584	10MM L WASHER 40X10.5 Z/P	2
37	CFA00330	BOLT M12X80 Z/P	1
38	CFA00125	NUT M12 Z/P	1
39	CZF02215	6MM L WASHER 10.5X50X6 Z/P	2
40	CFA00075	BOLT M10X75 Z/P	1
41	CFA00132	NUT M8 NYLOC Z/P	2
42	CFA00251	WASHER SKM10	16
43	CFA00068	BOLT M10X25 CUP SQ. Z/P	7
44	CFA00512	SHIM 35X45X1.0 Z/P	3
45	CFA00514	CIRCLIP 35MM EXTERNAL	2
46	CBR00104	BEARING INA TME 40 GE 40 KPPB3	1
47	CFA00311	SETSCREW M10X35 Z/P	4

No.	Part No	Description	Qty
48	CZF02904	6MM L GUARD BRACKET BALER	2
49	CFA00553	GREASE NIPPLE M6X1.0 45 DEG	1
50	CFA00081	KEY 10X8X45	1
51	ALA00247	DROP FLOOR RAM PIN Z/P	2
52	CPL00087	NYLON STRIP	1

# Pick-up drop floor (627)



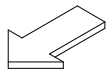
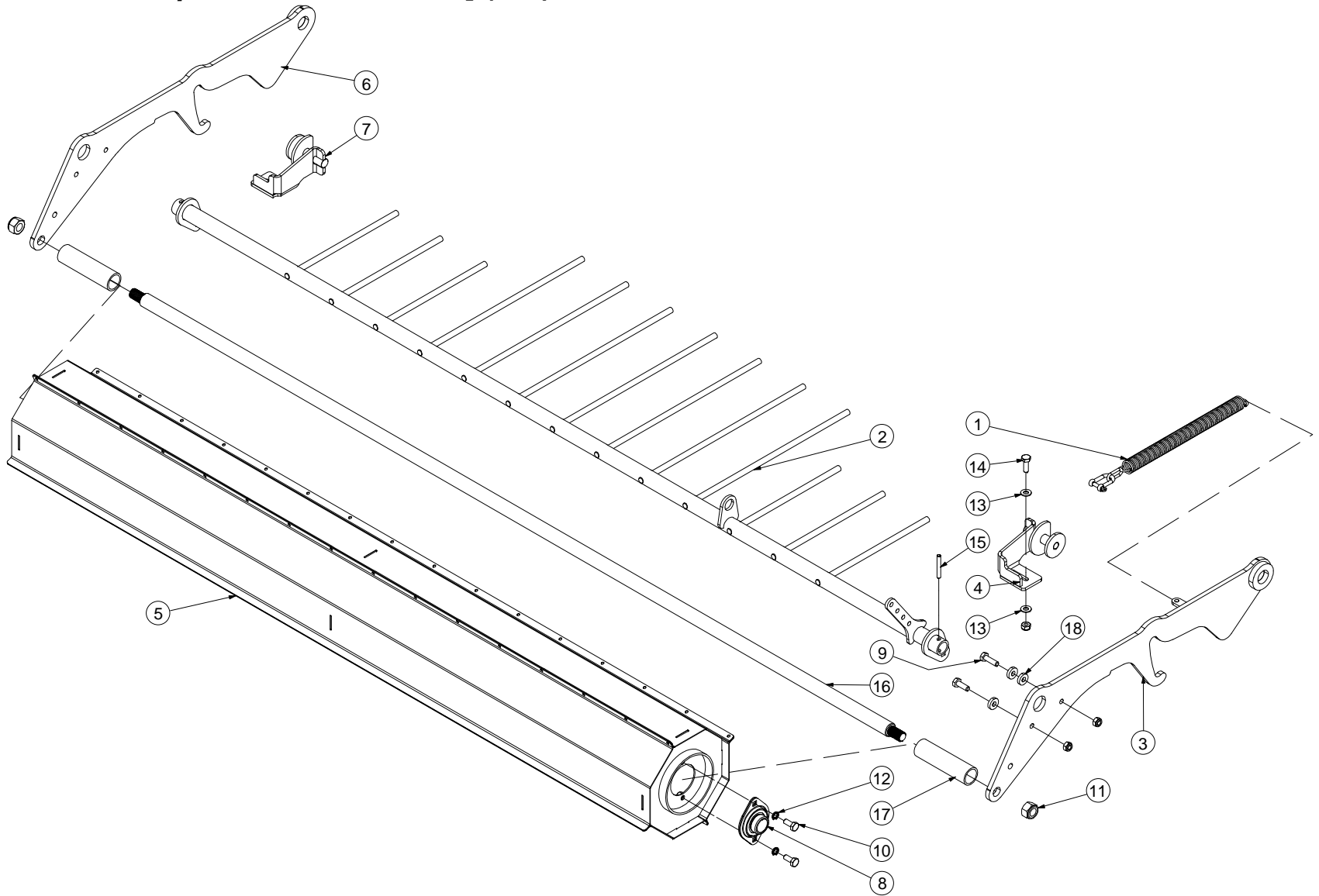


No.	Part No	Description	Qty
1	ACH00572	15 KNIFE FLOOR WELD ASSY	1
2	CBR00268	BEARING GLACIER DU 4	2
3	CEL00154	MAGNET 60 X24 X 17	15
4	CMH00641	SHAFT 22 X 1310	1
5	ACH00323	KNIFE RELEASE LEVER ASSY	1
6	CFA00009	ROLL PIN 8X40	1
7	CKN00014	KNIFE CHOPPER UNIT	1
8	CFA00135	WASHER FLAT 1" Z/P	4
9	CRA00185	RAM KNIFE ACTUATION BW	2
9	CRA00713	RAM KNIFE CHOPPING ADJ END	1
<i>ALTERNATIVE OPTION (TO CRA00185) WHICH ALLOWS ADJUSTMENT TO SET KNIFE CUTTING HEIGHT</i>			
10	CFA00413	WASHER FLAT 20MM Z/P	4
11	CFA00073	ROLL PIN 6X40	2
12	CZB04261	1.5MM L GRASS GUARD	1
13	CFA00519	SETSCREW M8X16 FLD ZP	2
14	CMH01069	SHAFT 35X1300	1
15	CFA00387	KEY 8X7X50	2
16	CTP00372	KNIFE RAM ACTUATOR CAST	2
<i>REPLACES ACH02286</i>			
17	CTP00266	KNIFE ACTUATOR ARM 35MM	15
18	CFA00504	ROLL PIN 12X60	15
19	CFA00642	ROLL PIN 7X60	15
20	CEL00059	MAGNET 20 X 10 260369	1
21	CFA00261	SETSCREW M5X25 CSK HEX SS	1
22	CFA00348	NUT M5 NYLOC SS	1
23	CFA00051	GRUBSCREW M8X10	2
24	CZD04279	4MM L KNIFE ARM LOCK BAR	4
25	CBR00072	BEARING INA 2 BOLT RAE 30 NPPB	2
26	CFA00068	BOLT M10X25 CUP SQ. Z/P	4
27	CFA00123	NUT M10 NYLOC	4
28	CFA00547	BOLT M14X70 Z/P	2
29	CFA00147	WASHER FLAT 8MM Z/P	16
30	CFA00102	SETSCREW M8X25 Z/P	8
31	CFA00132	NUT M8 NYLOC Z/P	8
32	CFA00222	WASHER FLAT 14MM Z/P	8
33	CFA00126	NUT M14 NYLOC	2
34	CRA00193	RAM CHOPPER FLOOR 20	2
35	CZE00143	5MM L KNIFE BLANK BALER	1
36	CZD02356	4MM L LOCK BRACKET	1
<i>GERMAN CHOPPER UNITS</i>			
37	CZE00168	5MM L KNIFE BLANK	8
<i>GERMAN CHOPPER UNITS</i>			
38	ACN00055	KNIFE HOLDER GERMAN 35MM	15
<i>GERMAN CHOPPER UNITS</i>			
39	CKN00016	KNIFE FOR GERMAN DROP FLOOR	15
<i>GERMAN CHOPPER UNITS</i>			
41	ALA00203	15 KNIFE ARM ASSY	1

*[Specify Machine type + Serial No + Year of manufacture when ordering this part]*

No.	Part No	Description	Qty
-----	---------	-------------	-----

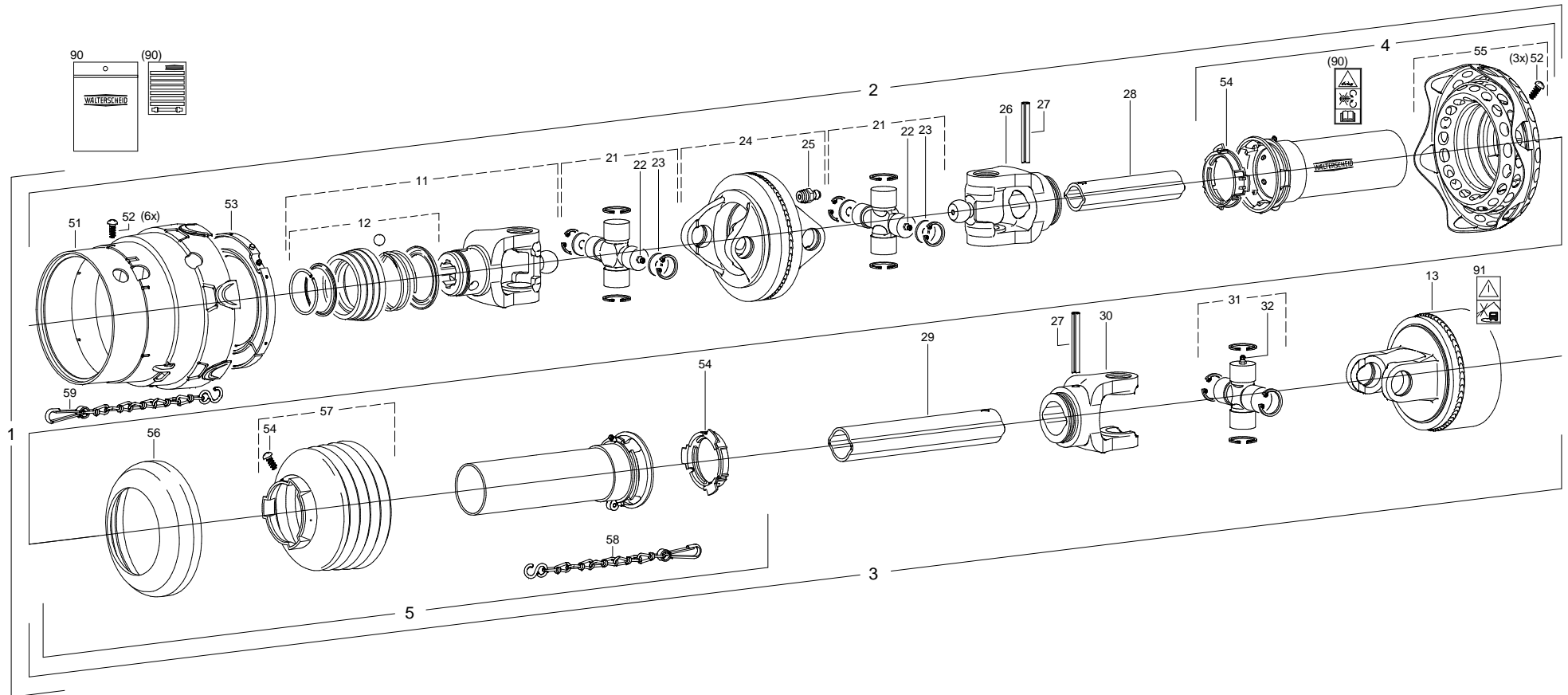
**Crop roller [Used on V6 up to serial no 800615] (632)**



No.	Part No	Description	Qty
1	ACN00064	CROP ROLLER SPRING ASSY	1
<i>FROM SERIAL NO 800100</i>			
1	ACN00074	CROP ROLLER SPRING ASSY	1
<i>UP TO SERIAL NO 800099</i>			
2	ALA00217	CROP ROLLER ROD ASSY	1
3	ALA00361	CROP ROLLER LHS BRCKT V6 BALER	1
4	ALA00362	CROP ROLLER SUPPORT BRCKT LHS V6	1
5	ALA00369	CROP ROLLER ASSY C/W SHAFT	1
<i>INCLUDES ITEMS 8, 10, 11, 12, 16 &amp; 17</i>			
6	ALA00370	CROP ROLLER RHS BRCKT V6 BALER	1
7	ALA00371	CROP ROLLER SUPPORT BRCKT RHS V6	1
8	CBR00072	BEARING INA 2 BOLT RAE 30 NPPB	2
9	CFA00016	BOLT M10X35	1
10	CFA00024	SETSCREW M10X25 Z/P	4
11	CFA00129	NUT M20 NYLOC	2
12	CFA00137	WASHER SPRING 10MM H.D Z/P	4
13	CFA00201	WASHER FLAT 10 MM Z/P	8
14	CFA00230	SETSCREW M10X30 Z/P	6
15	CFA00335	ROLL PIN 8X55 Z/P	2
16	CMH01086	SHAFT 30X2245 M20 THREAD	1
17	CPL00112	TUBE 40X3.7X145 PLASTIC (CROP ROLLER)	2
18	CZF04955	6MM L WASHER 10.5X25X6	4

No.	Part No	Description	Qty
-----	---------	-------------	-----

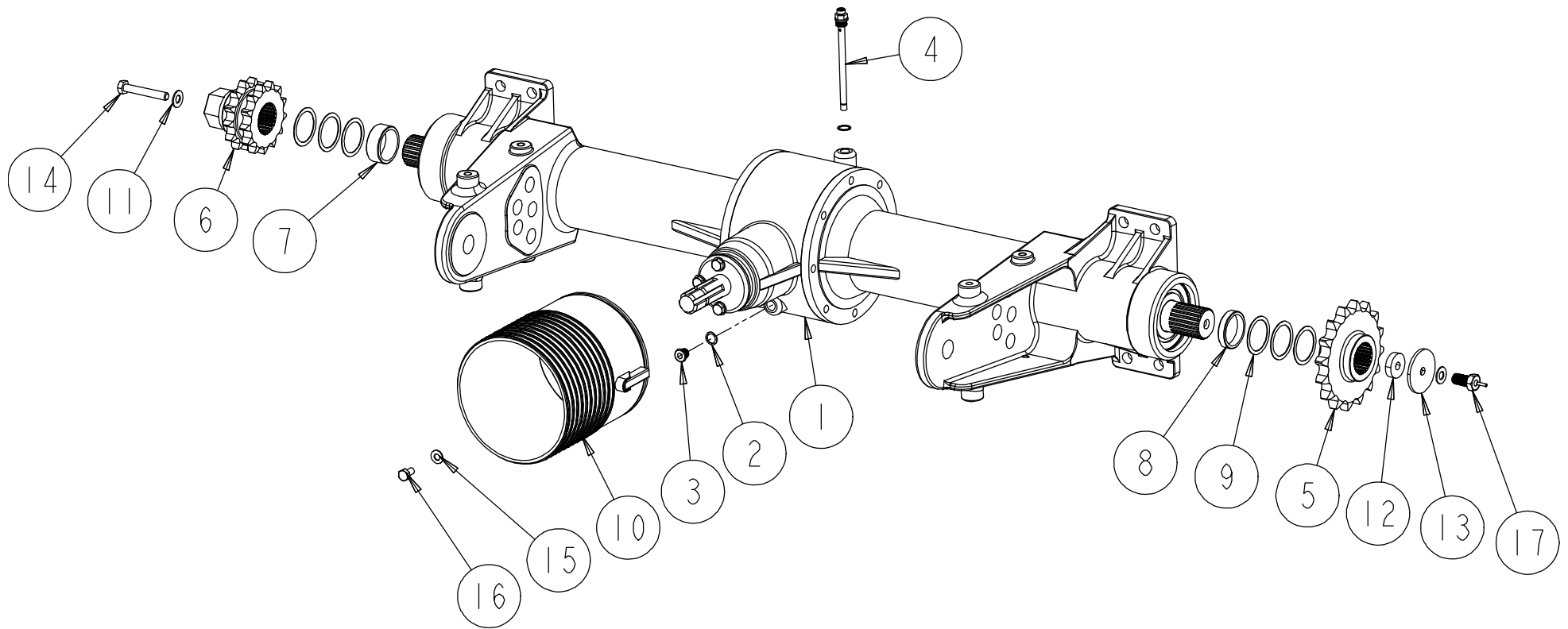
# PTO shaft [WWE2480]



No.	Part No	Description	Qty
1	CMT00165	PTO SHAFT 1560MM FUSION2	1
2	CMT00178	PTO SHAFT FUS 2 TRACTOR HALF	1
3	CMT00179	PTO SHAFT FUSION 2 BALER HALF	1
4	CMT00402	PTO TUBE GUARDS FOR CMT00165	1
<i>COMPLETE SLEEVE ASM (REPLACES CMT00167 - TRACTOR HALF)</i>			
5	CMT00402	PTO TUBE GUARDS FOR CMT00165	1
<i>COMPLETE SLEEVE ASM (REPLACES CMT00168 - MACHINE HALF)</i>			
11	CMT00081	YOKE QUICK DISCONNECT 1 3/4" 6 SPLINE	1
11	CMT00186	YOKE END 1 3/4" 20 SPLINE OPTION	1
12	CMT00174	KIT QUICK RELEASE DRV SF 6 SPLINE ONLY	1
13	CMT00083	CLUTCH CAM TYPE FUSION	1
13a	CMT00202	SPRING PACK CLUTCH 2350NM K64/22	1
<i>REPLACEMENT INTERNAL CLUTCH 150NM HIGHER THAN STANDARD UNIT</i>			
13b	CMT00158	CLAMP PIN BALER PTO SHAFT 7540	1
<i>BOLT-PIN TO SECURE PTO SHAFT TO PTO STUB ON MACHINE GEARBOX</i>			
21	CMT00084	UNIVERSAL JOINT TYPE 1	2
22	CFA00097	GREASE NIPPLE	2
23	CMT00085	PLATE DIA 26.95X2 FUSION PTO	4
24	CMT00086	YOKE DOUBLE WITH GREASE NIPPLE	1
25	CFA00628	GREASE NIPPLE M8X1 STRAIGHT	1
26	CMT00087	YOKE INNER SMALL PROFILE TUBE	1
27	CFA00629	SPLIT PIN 10X80	2
28	CMT00188	PROFILE TUBE COATED INNER	1
29	CMT00190	PROFILE TUBE OUTER	1
30	CMT00090	INNER YOKE LARGE PROFILE TUBE	1
31	CMT00091	UNIVERSAL JOINT TYPE 2	1
32	CFA00103	GREASE NIPPLE	1
51	CMT00169	CONE GUARD PTO FUSION	1
52	CFA00630	SCREW M4X10 FUSION PTO	10
53	CMT00093	BEARING RING LARGE DIA. FUSION	1
54	CMT00095	BEARING RING SMALL FUSION PTO	2
55	CMT00189	FLEXIBLE GUARD CONE	1
56	CMT00096	REINFORCEMENT COLLAR FUSION	1
57	CMT00097	GUARD CONE FUSION PTO	1
58	CCH00046	SAFETY CHAIN 400MM FUSION PTO	1
59	CCH00047	SAFETY CHAIN 600MM FUSION PTO	1
90	CLT00082	DECAL+MANUAL WARNING PTO SHAFT	1
91	CST00133	DECAL NO HIGH PRESSURE CLEANER	1

No.	Part No	Description	Qty
-----	---------	-------------	-----

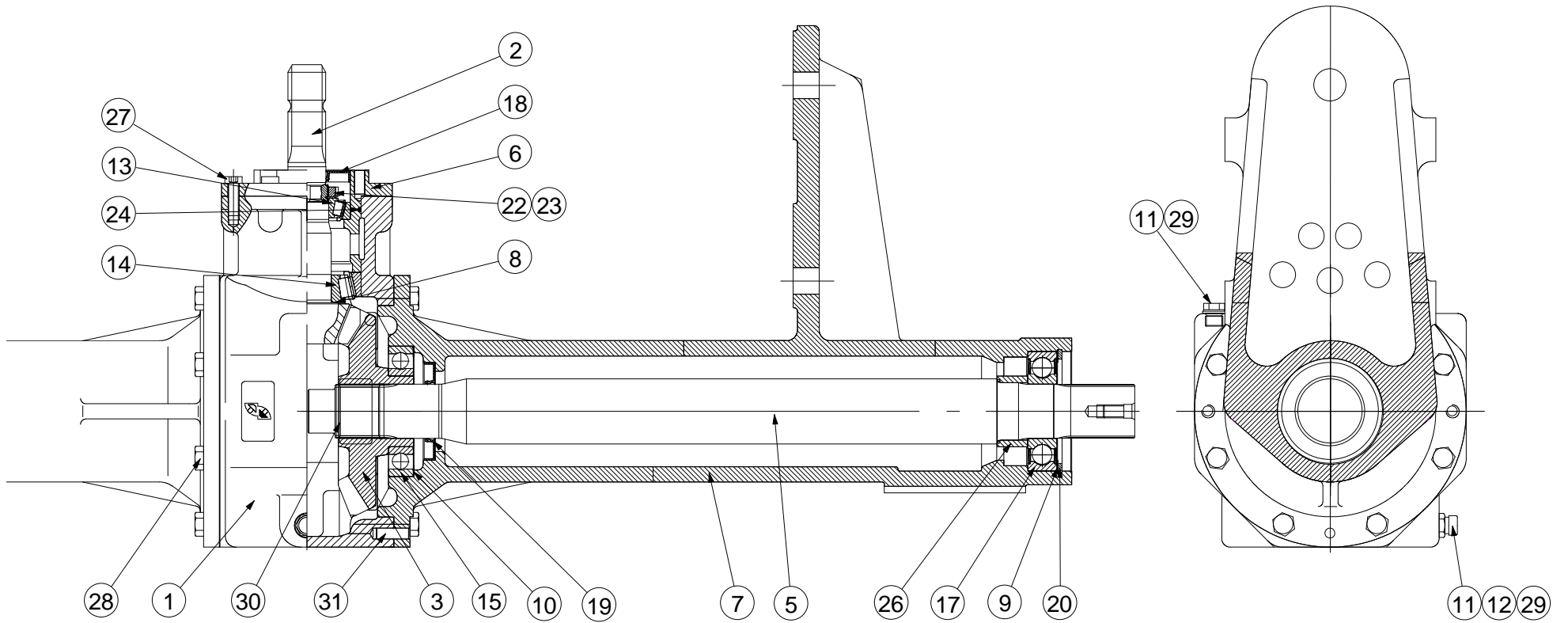
# Gearbox 1 (605)



No.	Part No	Description	Qty
1	CMT00106	GEARBOX ASSY ST BALE	1
2	CSE00127	SEAL O-RING COPPER GEARBOX	2
3	CMT00073	DRAIN PLUG GEARBOX FUSION	1
4	CMT00072	GEARBOX BREATHER	1
5	CMH02317	SPROCKET 1 1/4" 17T 50MM SPLINE	1
6	ARC00144	SPROCKET 13T DUPLEX ASSY	1
7	CMH01029	BUSH 50X60X23 F550 GEARBOX	1
8	CMH01030	BUSH 50X60X12 F550 GEARBOX	1
9	CFA00048	SHIM 50X62X1.0	6
10	CGD00156	GUARD GEARBOX	1
11	CFA00250	WASHER SKM12	2
12	CZH02119	10MM L WASHER 10X40X12	1
13	CZC04301	3MM L GEAR BOX WASHER	1
14	CFA00330	BOLT M12X80 Z/P	1
15	CFA00251	WASHER SKM10	4
16	CFA00018	SETSCREW M10X20	4
17	CVA00563	BEKA OIL PUMP DRIVE	1

No.	Part No	Description	Qty
-----	---------	-------------	-----

# Gearbox 2 (135)

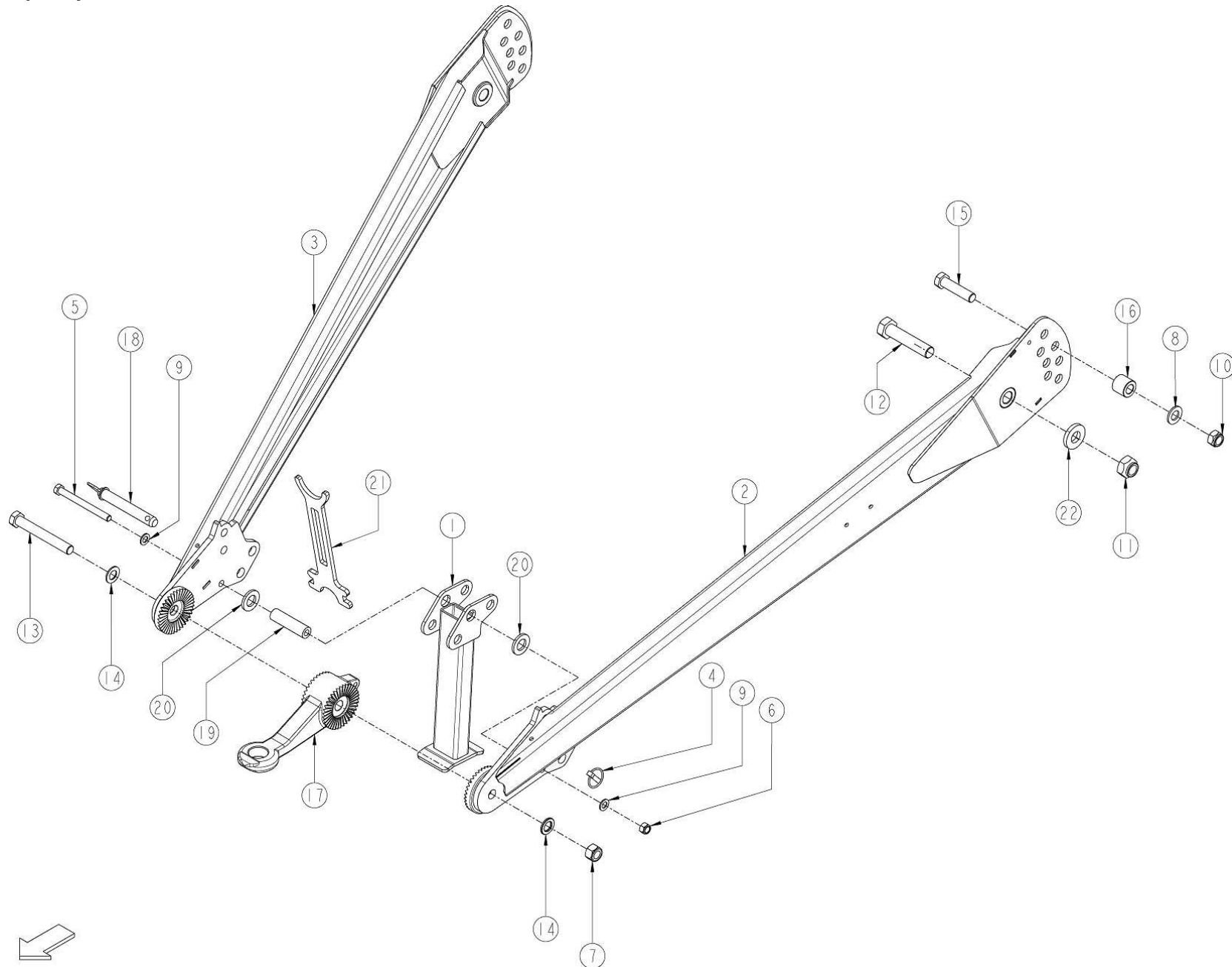




No.	Part No	Description	Qty
1	CMT00161	GEARBOX HOUSING CENTRE	1
2	CMH02251	INPUT SHAFT (PINION)	1
3	CMH02252	BEVEL GEAR	2
<i>UP TO SERIAL NO. 704582 (F5 series) UP TO SERIAL NO. 800099 (V6 series)</i>			
3	CMH02458	BEVEL GEAR	2
<i>FROM SERIAL NO. 704583 (F5 series) FROM SERIAL NO. 800100 (V6 series)</i>			
5	CMH02253	MAIN SHAFT	2
6	CMT00160	INPUT ASSY HOUSING	1
7	CMT00104	GEARBOX HOUSING LEFT/RIGHT	2
<i>UP TO SERIAL NO. 704582 (F5 series) UP TO SERIAL NO. 800099 (V6 series)</i>			
7	CMT00244	GEARBOX HOUSING LEFT/RIGHT	2
<i>FROM SERIAL NO. 704583 (F5 series) FROM SERIAL NO. 800100 (V6 series)</i>			
8	CFA02204	SHIM 45X55X0.1	0
8	CFA02205	SHIM 45X55X0.2	0
8	CFA02206	SHIM 45X55X0.5	0
8	CFA02207	SHIM 45X55X1	0
9	CFA02208	SHIM 90X110X0.1	0
9	CFA02209	SHIM 90X110X0.2	0
9	CFA02210	SHIM 90X110X0.5	0
9	CFA02211	SHIM 90X110X1	0
10	CFA00658	SHIM 100X120X0.1	0
10	CFA02212	SHIM 100X120X0.2	0
10	CFA00660	SHIM 100X120X0.5	0
10	CFA00661	SHIM 100X120X1	0
11	CMT00073	DRAIN PLUG GEARBOX FUSION	1
12	CMT00072	FUSION GEARBOX BREATHER	1
13	CBR00115	TAPER ROLLER BEARING 3020 8A	1
14	CBR00116	TAPER ROLLER BEARING 3030 9A	1
15	CBR00114	BEARING 6213 C3	2
<i>UP TO SERIAL NO. 704582 (F5 series) UP TO SERIAL NO. 800099 (V6 series)</i>			
15	CBR00296	BEARING 6313 C3	2
<i>FROM SERIAL NO. 704583 (F5 series) FROM SERIAL NO. 800100 (V6 series)</i>			
17	CBR00113	BEARING 6310 2RSR	2
18	CSE00132	RADIAL SEAL 35X80X10	1
19	CSE00133	RADIAL SEAL 50X90X10	2
20	CFA00652	CIRCLIP 110X4	2
22	CFA02202	SLOTTED NUT KM 8	1
23	CFA02203	LOCKING WASHER MB 8	1
24	CSE00142	O RING 95X3MM	1
26	CMH02255	BUSHING	2
27	CFA00025	SETSCREW M10X30	6
28	CFA00324	SETSCREW M12X40	12
29	CSE00127	COPPER WASHER	2
30	CST00624	NAME/ RATING PLATE	1
31	CFA00662	DOWEL	2
32	REP00040	GEARBOX REPAIR KIT	0
<i>UP TO SERIAL NO. 704582 (F5 series) UP TO SERIAL NO. 800099 (V6 series)</i>			
32	REP00056	GEARBOX REPAIR KIT	0
<i>FROM SERIAL NO. 704583 (F5 series) FROM SERIAL NO. 800100 (V6 series)</i>			

No.	Part No	Description	Qty
-----	---------	-------------	-----

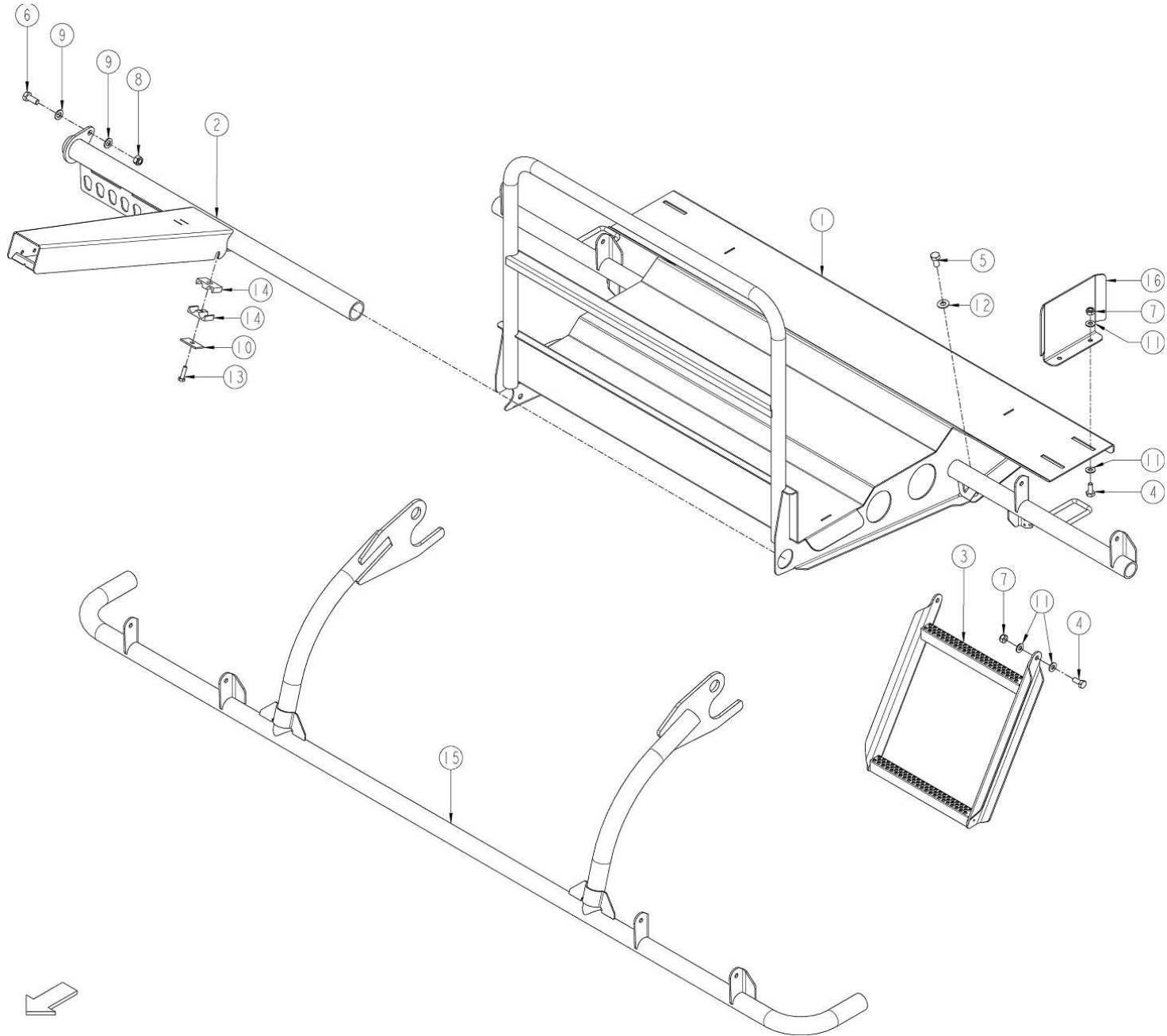
**Drawbar (599)**



No.	Part No	Description	Qty
1	ADB00068	DRAWBAR STAND F550	1
2	ADB00092	DRAWBAR WELD ASSEMBLY LH	1
3	ADB00093	DRAWBAR WELD ASSEMBLY RH	1
4	CFA00005	LINCH PIN 10MM	1
5	CFA00061	BOLT M16X170 Z/P	1
6	CFA00128	NUT M16 NYLOC	1
7	CFA00130	NUT M24 NYLOC	1
8	CFA00135	WASHER FLAT 1" Z/P	2
9	CFA00140	WASHER FLAT 16MM Z/P	2
10	CFA02216	NYLOC M24 1.5 FT DIN 10.9 ZP	2
11	CFA00420	NUT M30X2 NYLOC FINE THREAD	2
12	CFA00522	BOLT M30X140 METRIC FINE THREAD	2
13	CFA00795	BOLT M24X3X180 STD GRADE 8.8 Z/P	1
14	CFA00796	DIN6916 WASHER M24 PEINER GALV	2
15	CFA02215	BOLT M24X100X1.5 FT DIN 10.9 ZP	2
16	CMH01005	BUSH 44.45X20X40	2
17	CTP00092	HITCH EYE ST BALER	1
18	CTP00265	PIN HITCH 1" F550 DRAWBAR	1
19	CXT00419	C030X7X112	1
20	CZF04263	6MM L DRAWBAR WASHER Z/P	2
21	CZH02914	10MM L PTO STAND PAR	1
22	CZH04335	10MM L WASHER 30x65x10 Z/P	2

No.	Part No	Description	Qty
-----	---------	-------------	-----

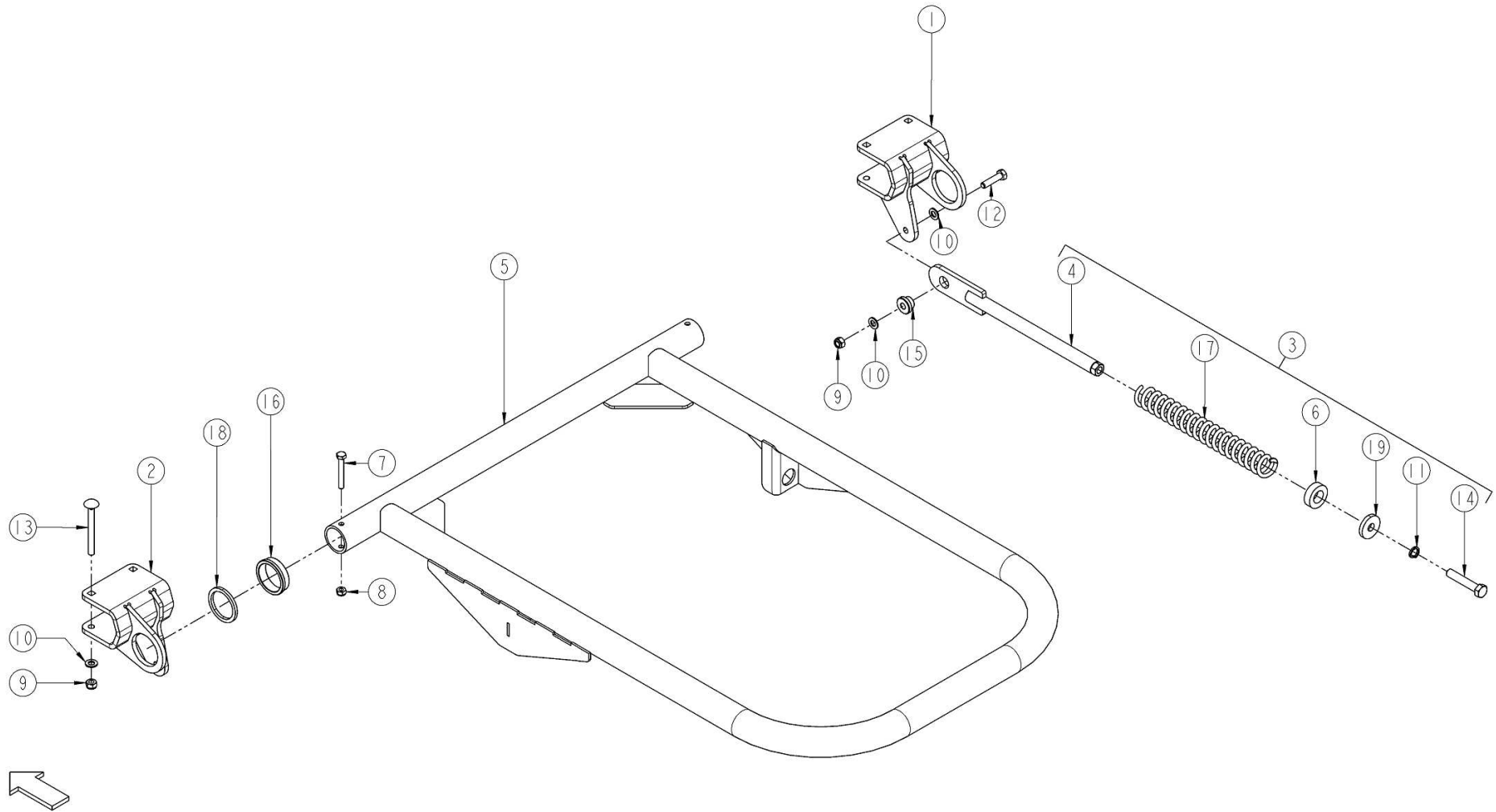
## Steps & Platform (600)



No.	Part No	Description	Qty
1	ACH02423	NET BOX WELD ASSY BELT BALER	1
2	ACN00069	HOSE TRAY BELT BALER WELD ASSY	1
3	ART00091	PIVOT STEP ASSEMBLY	4
4	CFA00024	SETSCREW M10X25 Z/P	12
5	CFA00031	SETSCREW M12X25 Z/P	4
6	CFA00032	SETSCREW M12X30 Z/P	1
7	CFA00123	NUT M10 NYLOC	12
8	CFA00124	NUT M12 NYLOC	1
9	CFA00138	WASHER FLAT 12MM Z/P	2
10	CFA00183	HOSE CLAMP COVER PLATE 14-18	2
11	CFA00201	WASHER FLAT 10 MM Z/P	24
12	CFA00250	WASHER SKM12	4
13	CFA00316	BOLT M8X30 Z/P	2
14	CFA00370	HOSE CLAMP 18MM (2 PER SET)	4
15	CGD00180	GUARD FRONT F5 SERIES (CROP ROLLER)	1
16	CZC03302	3MM L NET BOX PART BELT BALER	2

No.	Part No	Description	Qty
-----	---------	-------------	-----

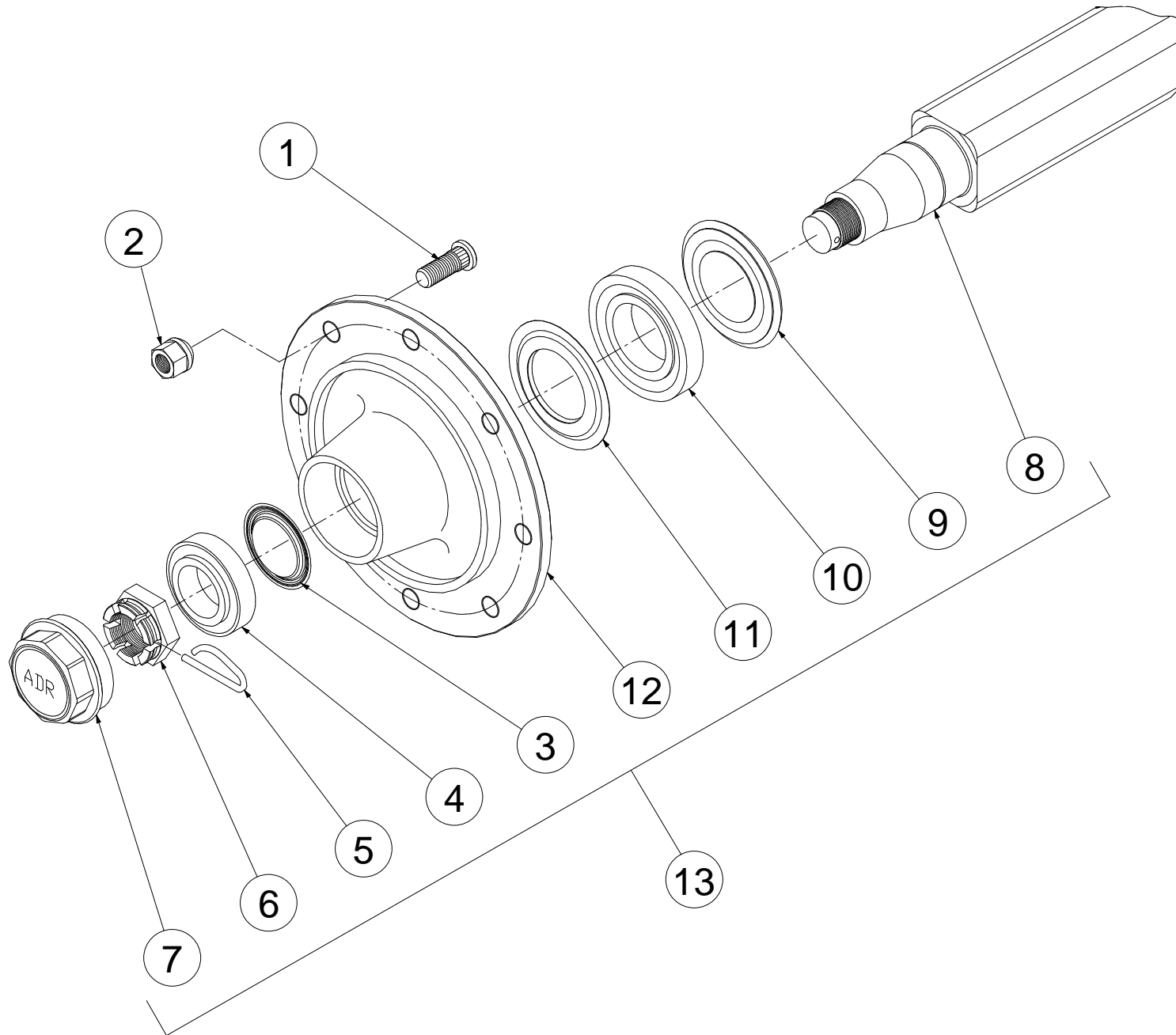
**Bale damper (586)**



No.	Part No	Description	Qty
1	ACH02408	KICKER BRACKET WELD ASSY	1
2	ACH02409	KICKER BRACKET WELD ASSY	1
3	ALA00098	SPRING ASSY BALE RAM	2
4	ALA00099	SPRING TUBE ASSY BAL	2
5	ALA00375	BALE KICKER WELD ASSY	1
6	CBE00169	BUFFER 17X50X15	2
7	CFA00075	BOLT M10X75 Z/P	2
8	CFA00123	NUT M10 NYLOC	2
9	CFA00124	NUT M12 NYLOC	6
10	CFA00138	WASHER FLAT 12MM Z/P	8
11	CFA00142	WASHER SPRING 16MM Z/P	2
12	CFA00272	BOLT M12X50 Z/P	2
13	CFA00289	BOLT M12X120 CUP SQUARE Z/P	4
14	CFA00332	SETSCREW M16X85 Z/P	2
15	CMH00771	BUSH 12X35 STEPPED	2
16	CMH00944	BUSH 60X75X20	2
17	CSG00053	SPRING COMP 7.62X31.5X45X360	2
18	CZF03228	6MM L BALE RAMP PART ST BALER	2
19	CZG02173	8MM L WASHER PART ST	2

No.	Part No	Description	Qty
-----	---------	-------------	-----

**Axle (139)**



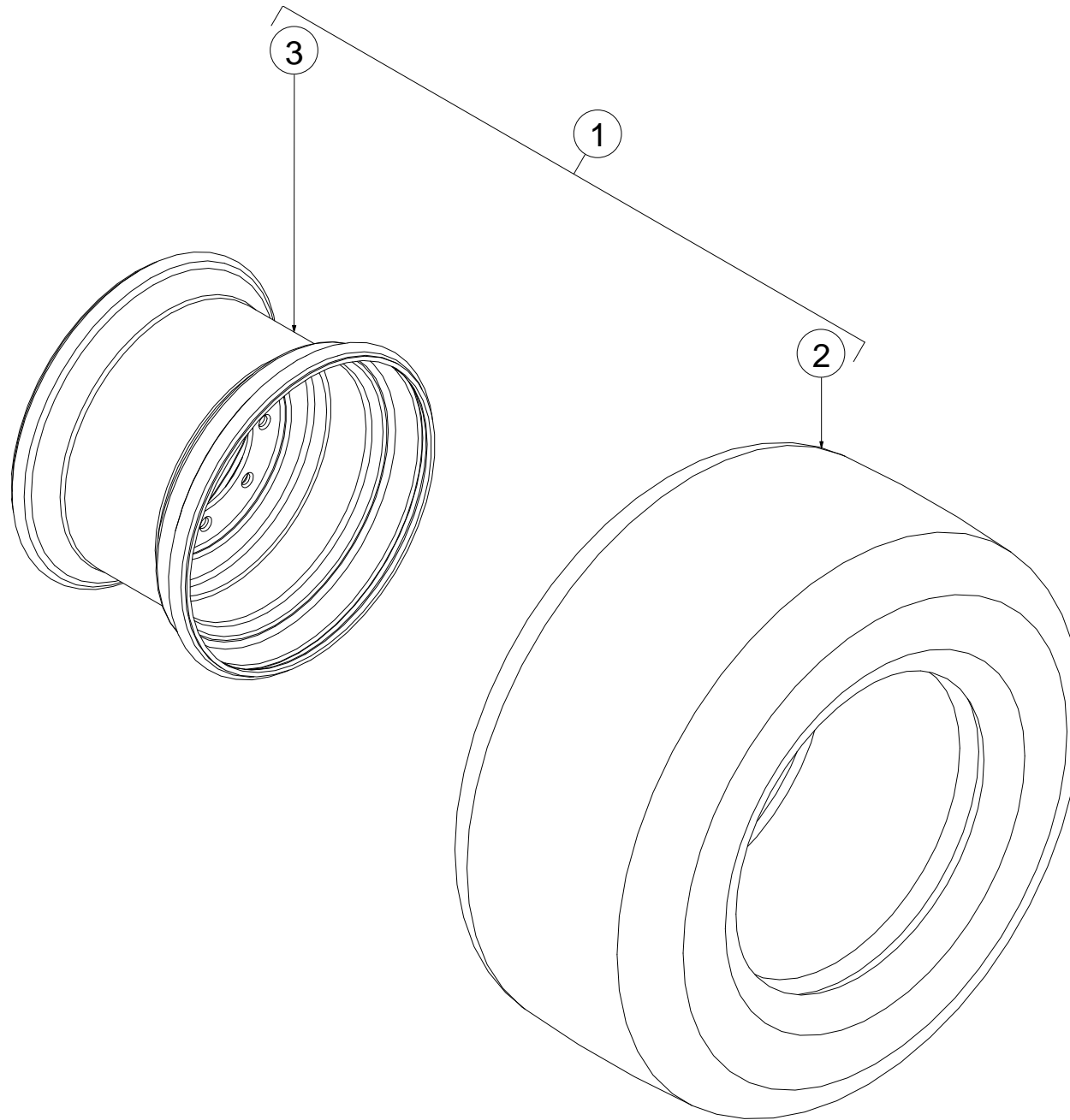


No.	Part No	Description	Qty
1	CFA00235	WHEEL STUD M18X1.5	16
2	CFA00121	M18 WHEEL NUT	16
3	CBR00261	NILOS SEAL 1 AXLE CAX00063	2
4	CBR00262	TAPER ROLLER BEARING 32210	2
5	CFA00750	LOCKING PIN	2
6	CFA00751	CASTLE NUT FOR CAX00063	2
7	CAX00080	HUB CAP FOR CAX00063	2
8	CAX00064	AXLE 70MM 8 STUD 1900 LONG	1
9	CSE00143	OIL SEAL AXLE CAX00063	2
10	CBR00064	TAPER ROLLER BEARING 30213	2
11	CBR00263	NILOS SEAL 2 AXLE CAX00063	2
12	CAX00065	HUB 8 STUD CAX00063	2
13	CAX00063	AXLE ASSY ST BALER	1

INCLUDES ITEMS 1 THROUGH 12

No.	Part No	Description	Qty
-----	---------	-------------	-----

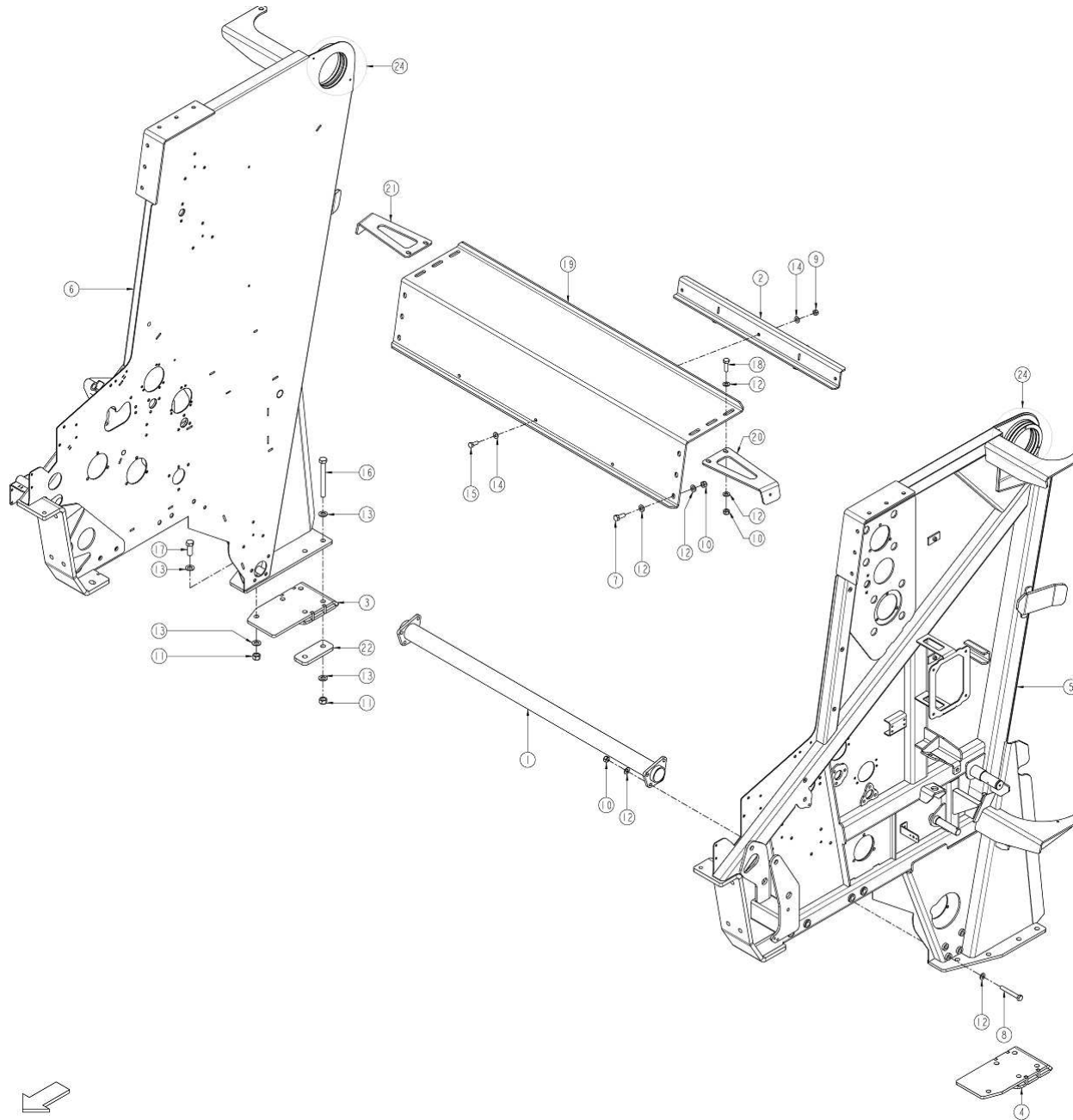
**Wheels (602)**



No.	Part No	Description	Qty
1	CWH00058	WHEEL ASSEMBLY 500/50-22.5	2
		500/50-22.5	
1	CWH00077	WHEEL ASY 560/45R22.5 FLO PRO	2
		560/45R22.5	
2	CWH00067	TYRE 500/50-22.5	2
		500/50-22.5	
2	CWH00079	TYRE 560/45 R 22.5 VREDESTEIN	2
		560/45R22.5	
3	CWH00066	RIM 16X22.5	2
		500/50-22.5	
3	CWH00080	RIM 16X22.5 OFFSET -75MM	2
		560/45R22.5	

No.	Part No	Description	Qty
-----	---------	-------------	-----

**Chassis1 (608)**

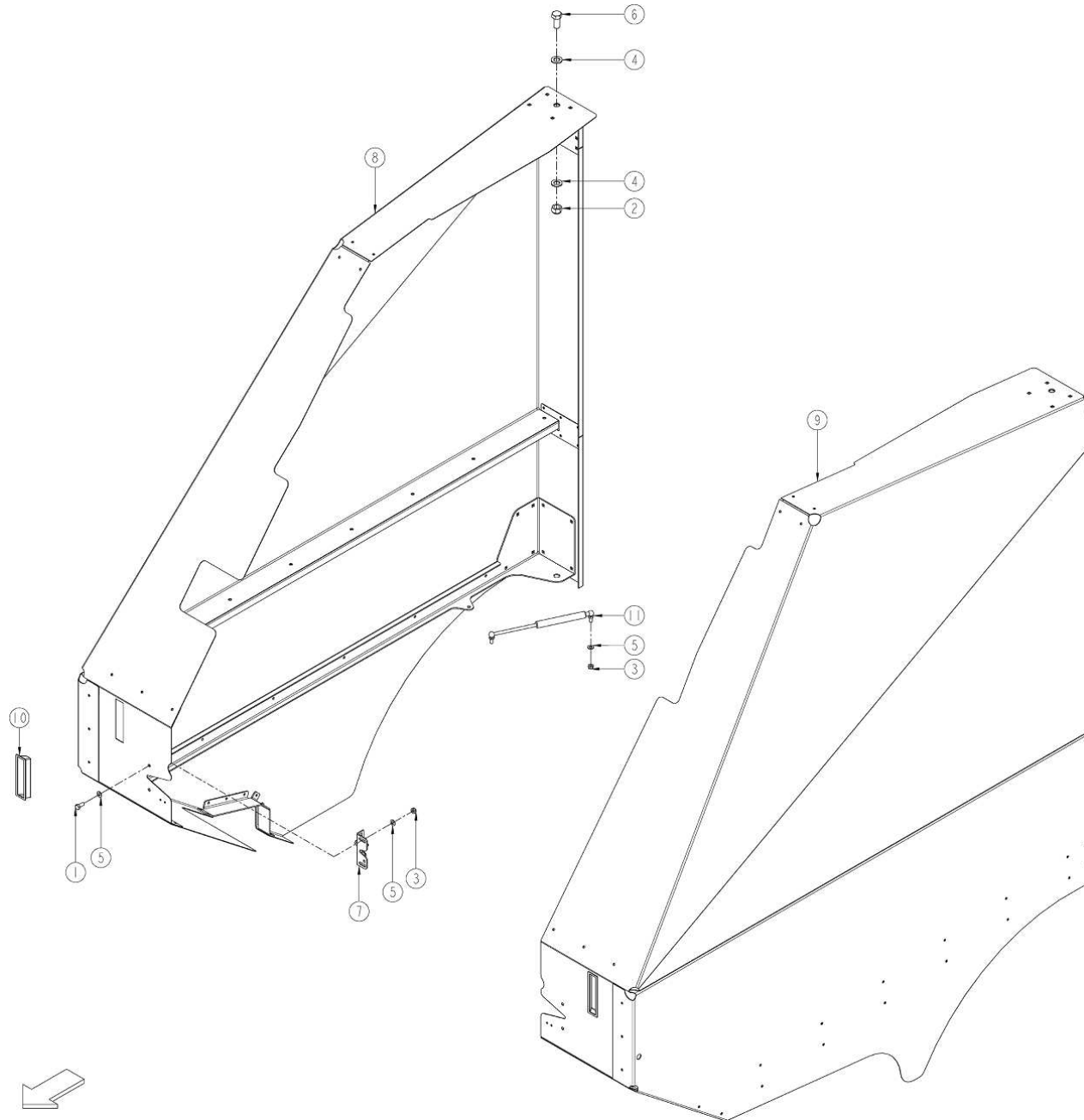


No.	Part No	Description	Qty
1	ACH00980	CROSS BEAM BELT BALER	1
2	ACH02048	GUIDE SHIELD VAR BALER	1
3	ACH02368	AXLE SPACER ASSY BELT BALER	1
4	ACH02369	AXLE SPACER ASSY BELT BALER	1
5	ACH02392	FRONT LHS CHAMBER WELD ASSY	1
6	ACH02395	FRONT RHS CHAMBER WELD ASSY	1
7	CFA00033	SETSCREW M12X35 Z/P	8
8	CFA00034	BOLT M12X90 Z/P	8
9	CFA00123	NUT M10 NYLOC	3
10	CFA00124	NUT M12 NYLOC	20
11	CFA00128	NUT M16 NYLOC	10
12	CFA00138	WASHER FLAT 12MM Z/P	40
13	CFA00140	WASHER FLAT 16MM Z/P	20
14	CFA00201	WASHER FLAT 10 MM Z/P	6
15	CFA00230	SETSCREW M10X30 Z/P	3
16	CFA00259	BOLT M16X150 Z/P	8
17	CFA00282	BOLT M16X45	2
18	CFA00324	SETSCREW M12X40 Z/P	4
19	CZF05087	6MM TOP PANEL BELT BALER	1
20	CZF05181	6MM BUFFER BRACKET BELT BALER	1
21	CZF05182	6MM BUFFER BRACKET BELT BALER	1
22	CZI02048	12MM L AXLE MOUNT PLATE F5	4
24	UWP00042	V660 HINGE REPAIR KIT	1

*KIT INCLUDES LH & RH WELD-IN HINGE BOSS, INNER & OUTER BUSHINGS & INSTRUCTIONS TO REPAIR BOTH SIDES*

No.	Part No	Description	Qty
-----	---------	-------------	-----

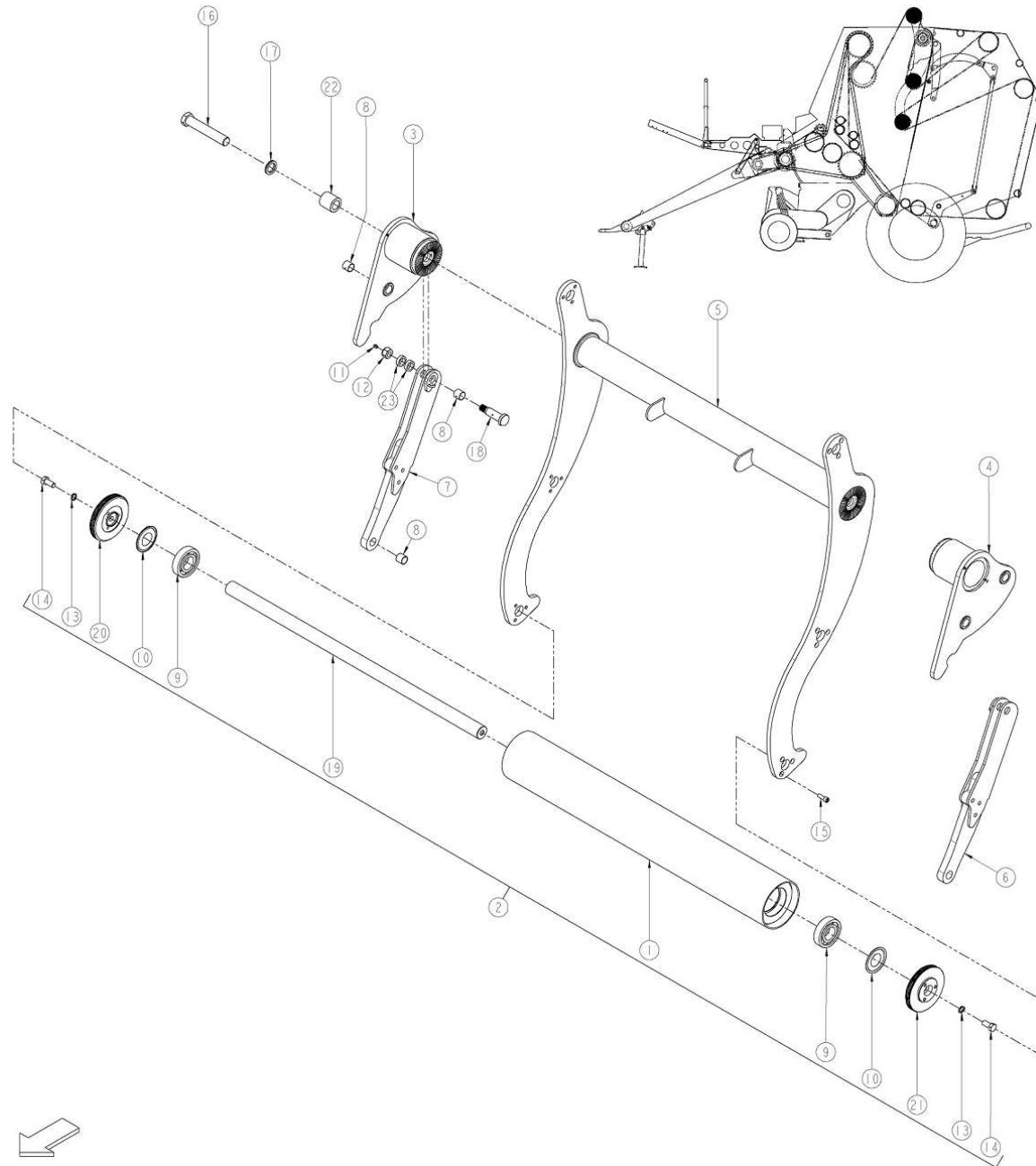
**Panels (610)**



No.	Part No	Description	Qty
1	CFA00052	SETSCREW M8X20 Z/P	2
2	CFA00128	NUT M16 NYLOC	4
3	CFA00132	NUT M8 NYLOC Z/P	6
4	CFA00140	WASHER FLAT 16MM Z/P	8
5	CFA00147	WASHER FLAT 8MM Z/P	8
6	CFA00229	SETSCREW M16X35 Z/P	4
7	CFA00518	CAMLOC BALER DOOR	1
8	CGD00184	BELT BALER PANEL ASSY RIGHT	1
<i>UP TO SERIAL NO. 800014</i>			
8	CGD00207	PANEL BELT BALER RHS	1
<i>FROM SERIAL NO. 800015</i>			
9	CGD00185	BELT BALER PANEL ASSY LEFT	1
<i>UP TO SERIAL NO. 800014</i>			
9	CGD00208	PANEL BELT BALER LHS	1
<i>FROM SERIAL NO. 800015</i>			
10	CPL00058	HANDLE INSERT BALER DOOR	1
11	CFA00590	GAS STRUT 300N VAR BALER PANELS	2
<i>UP TO SERIAL NO. 800014</i>			
11	CRA00262	GAS STRUT 8X18X95 500NM	2
<i>FROM SERIAL NO. 800015</i>			

No.	Part No	Description	Qty
-----	---------	-------------	-----

# Tensioner arm rollers (582)

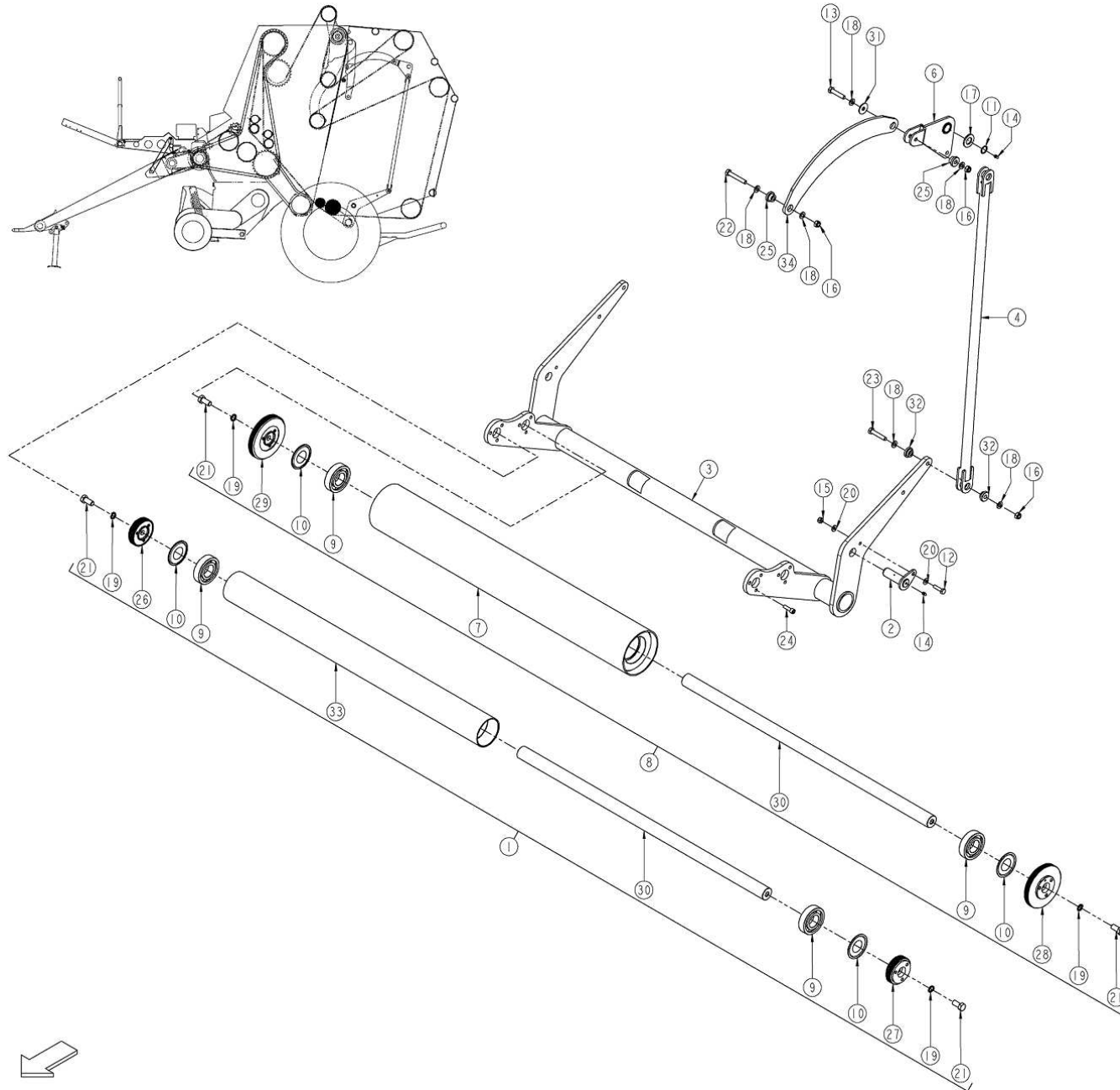




No.	Part No	Description	Qty
1	ACH02016	TUBE WELD ASSY	3
2	ACH02017	ROLLER COMP V BALER	3
3	ACH02019	ARM ASSY V BALER	1
4	ACH02020	ARM ASSY V BALER	1
5	ACH02264	TENSIONER ARM WELD ASSY	1
6	ALA00264	TENSION ARM ASSY BELT BALER	1
7	ALA00356	TENSION ARM ASSY BELT BALER	1
8	CBR00039	BEARING GLACIER PM 2525 DX	6
9	CBR00253	BEARING 6309 2RS	6
10	CBR00281	NILOS RING 6309 AV	6
11	CFA00118	GREASE NIPPLE M8X1.25 STRAIGHT	2
12	CFA00129	NUT M20 NYLOC	2
13	CFA00142	WASHER SPRING 16MM Z/P	6
14	CFA00229	SETSCREW M16X35 Z/P	6
15	CFA00602	SETSCREW M10X30 SOC CAP Z/P	18
16	CFA00712	M30X170 FINE THREAD	2
17	CFA00816	WASHER NL30 NORD-LOCK	2
18	CMH00017	PIN 25X105&M20 THREAD STEPPED	2
19	CMH02007	SHAFT VAR BALER	3
20	CMH02015	SEALING DISC V BALER	3
21	CMH02014	SEALING DISC V BALER	3
<i>SEAL WITH IDENTIFICATION GROOVE ON NEARSIDE FOR LOWER 2 ROLLERS AND ON FAR SIDE FOR TOP ROLLER</i>			
22	CMH02030	BUSH VAR BALER	2
23	CZH04425	WASHER 33X25X10	4

No.	Part No	Description	Qty
-----	---------	-------------	-----

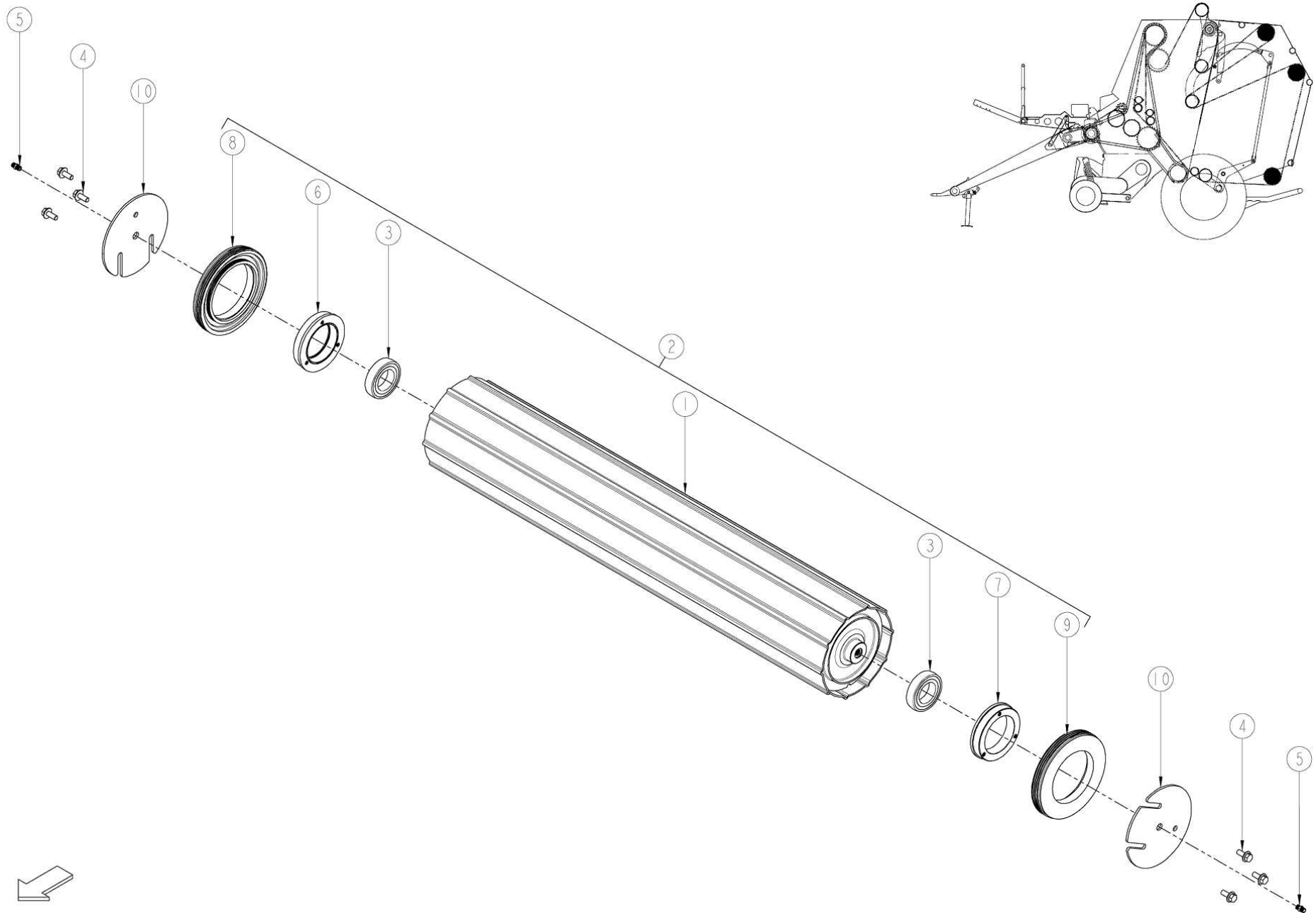
# Rocker arm rollers (584)



No.	Part No	Description	Qty
1	ACH02032	ROLLER ASSY V BALER	1
2	ALA00034	PIN 991 LIFTARM HINGE	2
3	ALA00284	ROCKER ARM WELD ASSY	1
<i>SPECIFY MACHINE SERIAL No WHEN ORDERING THIS PART AS TWO VERSIONS EXIST</i>			
4	ALA00289	LINK ARM ASSY BELT BALER	2
5	ALA00291	PIVOT WELD ASSY BELT BALER	1
6	ALA00350	PIVOT WELD ASSY LEFT	1
<i>LH (LEFT HAND)</i>			
6	ALA00291	PIVOT WELD ASSY RIGHT	1
<i>RH (RIGHT HAND)</i>			
7	ARC00203	ROLLER WELD ASSY BELT BALER	1
8	ARC00204	ROLLER COMP ASSY BELT BALER	1
9	CBR00253	BEARING 6309 2RS	4
10	CBR00281	NILOS RING 6309 AV	4
11	CFA00001	CIRCLIP 25MM EXTERNAL Z/P	2
12	CFA00071	BOLT M10X40	2
13	CFA00076	BOLT M12X60 Z/P	2
14	CFA00118	GREASE NIPPLE M8X1.25 STRAIGHT	4
15	CFA00123	NUT M10 NYLOC	2
16	CFA00124	NUT M12 NYLOC	8
17	CFA00135	WASHER FLAT 1" Z/P	2
18	CFA00138	WASHER FLAT 12MM Z/P	17
19	CFA00142	WASHER SPRING 16MM Z/P	4
20	CFA00201	WASHER FLAT 10 MM Z/P	4
21	CFA00229	SETSCREW M16X35 Z/P	4
22	CFA00330	BOLT M12X80 Z/P	2
23	CFA00579	BOLT M12X65 ZP	4
24	CFA02226	SETSCREW M10X35 SOC CAP	12
25	CMH00771	BUSH 12X35 STEPPED	6
26	CMH02008	SEALING DISC V BALER	1
27	CMH02009	SEALING DISC V BALER	1
28	CMH02015	SEALING DISC V BALER	1
29	CMH02014	SEALING DISC V BALER	1
<i>SEALING DISC WITH IDENTIFICATION GROOVE</i>			
30	CMH02029	SHAFT VAR BALER	2
31	CMH02054	WASHER VAR BALER	2
32	CMH02352	BUSH 12X35 STEPPED	6
33	CXT04006	TUBE VAR BALER	1
34	CZH03503	10MM L LINK ARM BELT BALER	2

No.	Part No	Description	Qty
-----	---------	-------------	-----

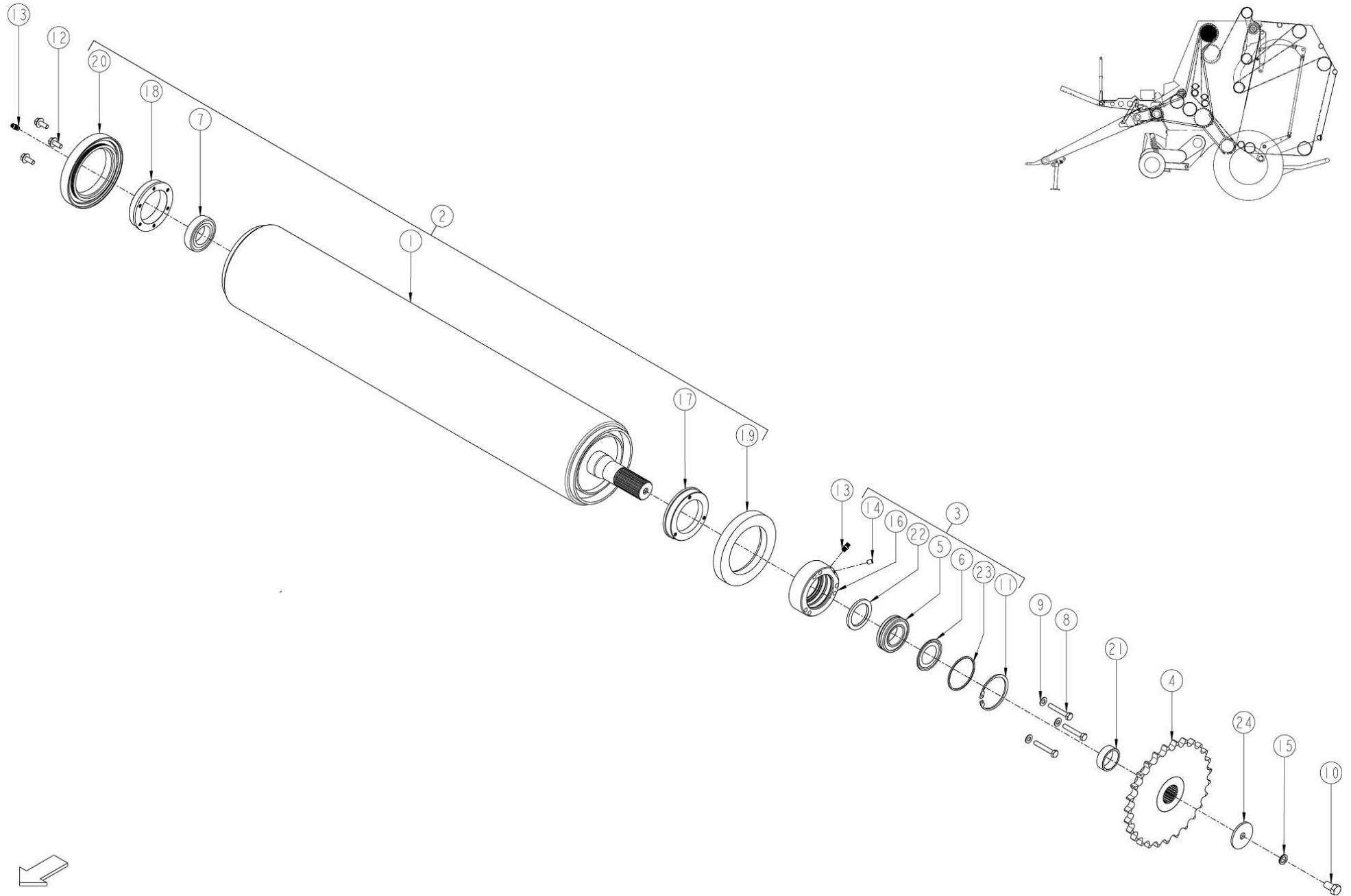
## Rear door rollers (587)



No.	Part No	Description	Qty
1	ACH02003	ROLLER VAR BALER	1
2	ACH02004	ROLLER COMP V BALER	3
3	CBR00083	BEARING 1726210-2RS RADIAL	2
4	CFA00520	SETSCREW M10X25 FLD ZP	6
5	CFA00549	GREASE FITTING 6MM X 1/8" M/M	2
6	CMH00977	BUSH 90X135X25	1
7	CMH01187	FLANGE 90X145X25 3 HOLE	1
8	CPL00052	NYLON SEAL ROLLER DRIVE SIDE	1
9	CPL00053	NYLON SEAL ROLLER NON DRIVE SIDE	1
10	CZE04251	5MM L ROLLER SPACER	2

No.	Part No	Description	Qty
-----	---------	-------------	-----

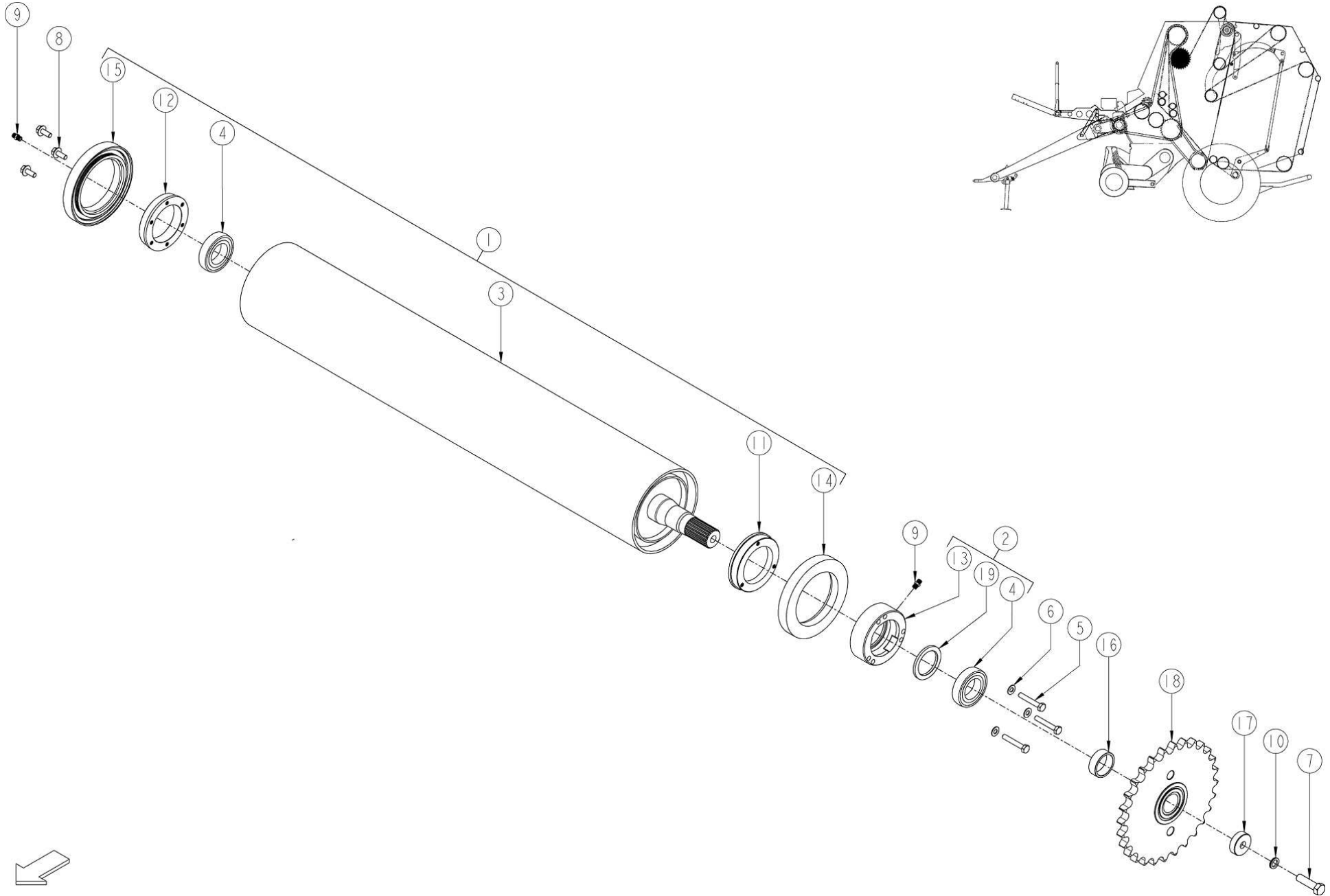
# Top drive roller (588)



No.	Part No	Description	Qty
1	ACH02023	DRIVE ROLLER V BALER	1
2	ACH02033	DRIVE ROLLER V BALER	1
3	ART00051	BEARING ROLLER COMP ASSY	1
4	ART00312	27T SPROCKET ASSY BELT BALER	1
5	CBR00060	BEARING SPHERICAL SKF 2210CC	1
6	CBR00061	NILOS-RING 6210AV	1
7	CBR00083	BEARING 1726210-2RS RADIAL	1
8	CFA00028	BOLT M10X65 Z/P	3
9	CFA00251	WASHER SKM10	3
10	CFA00399	SETSCREW M16X30 Z/P	1
11	CFA00452	CIRCLIP 95MM INTERNAL	1
12	CFA00520	SETSCREW M10X25 FLD ZP	3
13	CFA00549	GREASE FITTING 6MM X 1/8" M/M	2
14	CFA00559	GRUBSCREW M10X12	1
15	CFA00783	WASHER NL16 NORD-LOCK	1
16	CMH00511	BUSH 90X135X46 BEARING HOUSING	1
17	CMH00696	FLANGE 90X140X25 MACHINED	1
18	CMH00697	FLANGE 90X145X25 6 HOLE	1
19	CMH02032	ROLLER SEAL V BALER	1
20	CMH02033	ROLLER SEAL V BALER	1
21	CMH02349	BUSH 50X60X20	1
22	CSE00099	SEAL OIL 58X80X8	1
23	CZC02063	3MM L BEARING RETAINER RING	1
24	CZE04255	5MM L WASHER 16X70X5	1

No.	Part No	Description	Qty
-----	---------	-------------	-----

# **Bottom drive roller (589)**

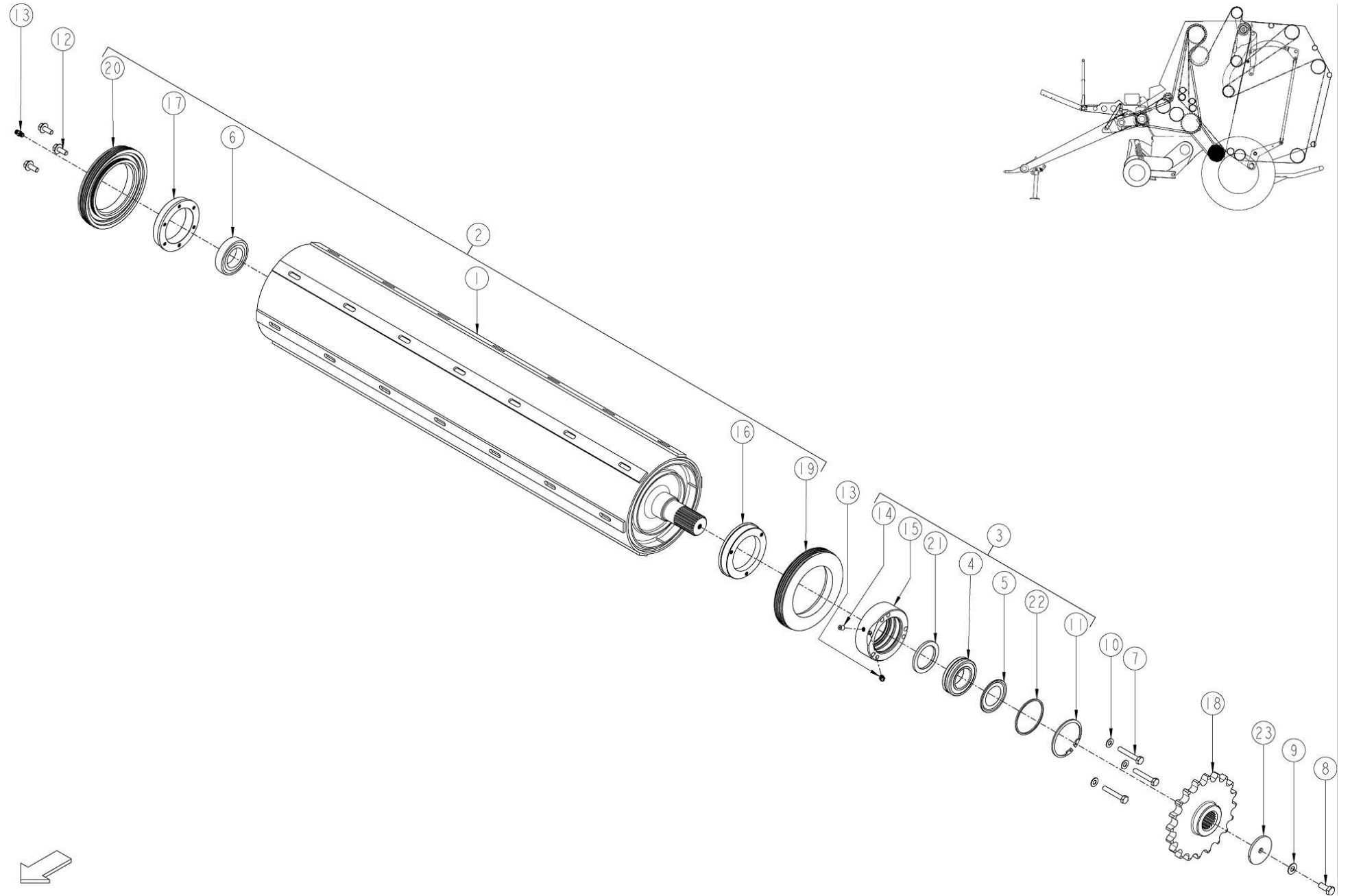




No.	Part No	Description	Qty
1	ARC00170	DUAL DRIVE ROLLER COMPLETE	1
2	ART00293	BEARING HOUSING 76210 ASSY	1
3	ART00314	DUAL DRIVE ROLLER BELT BALER	1
4	CBR00083	BEARING 1726210-2RS RADIAL	2
5	CFA00028	BOLT M10X65 Z/P	3
6	CFA00251	WASHER SKM10	3
7	CFA00409	BOLT M16 X 60 Z/P	1
8	CFA00520	SETSCREW M10X25 FLD ZP	3
9	CFA00549	GREASE FITTING 6MM X 1/8" M/M	2
10	CFA00783	WASHER NL16 NORD-LOCK	1
11	CMH00696	FLANGE 90X140X25 MACHINED	1
12	CMH00697	FLANGE 90X145X25 6 HOLE	1
13	CMH00905	BUSH 90X135X46 BEARING HOUSING	1
14	CMH02032	ROLLER SEAL V BALER	1
15	CMH02033	ROLLER SEAL V BALER	1
16	CMH02349	BUSH 50X60X20	1
17	CMH02350	WASHER STEPPED 52X46X16	1
18	CMT00200	OVERRUNNING CLUTCH BELT BALER	1
19	CSE00099	SEAL OIL 58X80X8	1

No.	Part No	Description	Qty
-----	---------	-------------	-----

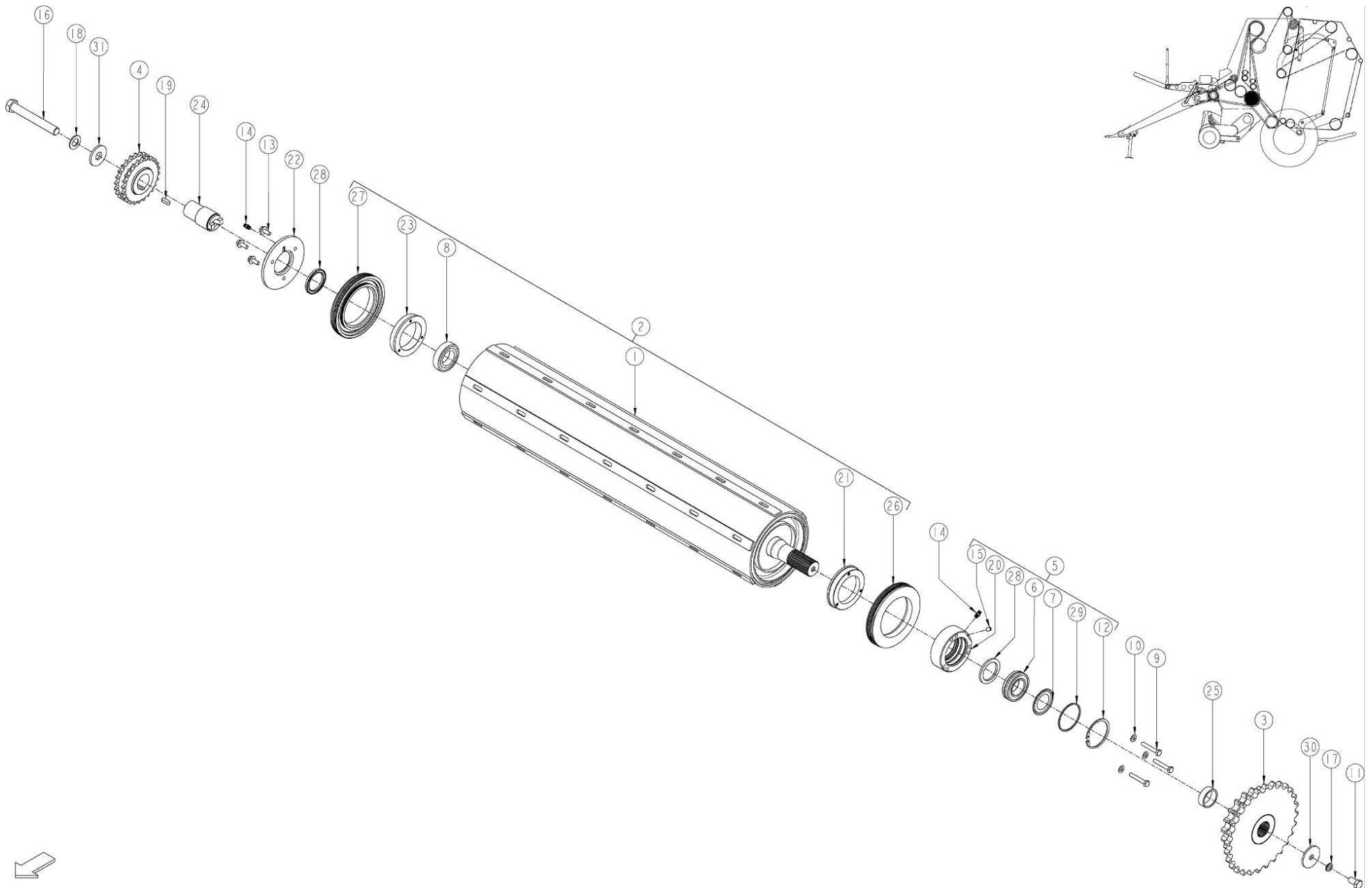
# **Bottom slatted roller (590)**



No.	Part No	Description	Qty
1	ARC00033	FRONT CHAMBER ROLLR	1
2	ARC00034	FRONT CHAMBER ROLLER	1
3	ART00051	BEARING ROLLER COMP ASSY	1
4	CBR00060	BEARING SPHERICAL SKF 2210CC	1
5	CBR00061	NILOS-RING 6210AV	1
6	CBR00083	BEARING 1726210-2RS RADIAL	1
7	CFA00028	BOLT M10X65 Z/P	3
8	CFA00032	SETSCREW M12X30 Z/P	1
9	CFA00250	WASHER SKM12	1
10	CFA00251	WASHER SKM10	3
11	CFA00452	CIRCLIP 95MM INTERNAL	1
12	CFA00520	SETSCREW M10X25 FLD ZP	3
13	CFA00549	GREASE FITTING 6MM X 1/8" M/M	2
14	CFA00559	GRUBSCREW M10X12	1
15	CMH00511	BUSH 90X135X46 BEARING HOUSING	1
16	CMH00696	FLANGE 90X140X25 MACHINED	1
17	CMH00697	FLANGE 90X145X25 6 HOLE	1
18	CMH00708	SPROCKET 1 1/4" PITCH 20T	1
19	CPL00052	NYLON SEAL ROLLER DRIVE SIDE	1
20	CPL00053	NYLON SEAL ROLLER NON DRIVE SIDE	1
21	CSE00099	SEAL OIL 58X80X8	1
22	CZC02063	3MM L BEARING RETAINER RING	1
23	CZE00115	BALE SPLITTER WASHER	1

No.	Part No	Description	Qty
-----	---------	-------------	-----

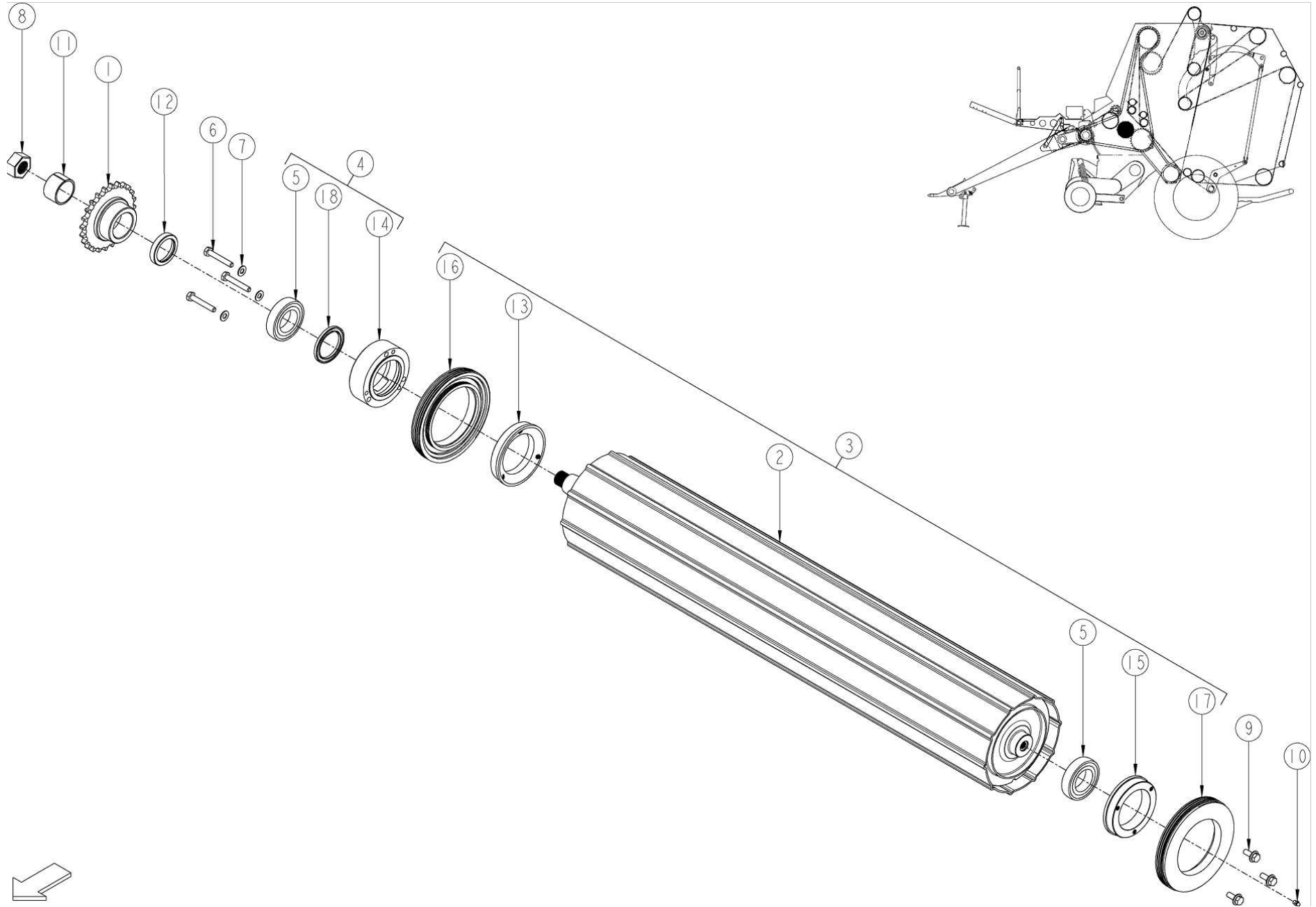
## Top slatted roller (591)



No.	Part No	Description	Qty
1	ACH02034	LARGE ROLLER V BALER	1
2	ACH02035	ROLLER ASSY VAR BALER	1
3	ACH02055	SPROCKET ASSY VAR BALER	1
4	ACH02403	24T SPROCKET ASSY BELT BALER	1
5	ART00051	BEARING ROLLER COMP ASSY	1
6	CBR00060	BEARING SPHERICAL SKF 2210CC	1
7	CBR00061	NILOS-RING 6210AV	1
8	CBR00083	BEARING 1726210-2RS RADIAL	1
9	CFA00028	BOLT M10X65 Z/P	3
10	CFA00251	WASHER SKM10	3
11	CFA00399	SETSCREW M16X30 Z/P	1
12	CFA00452	CIRCLIP 95MM INTERNAL	1
13	CFA00520	SETSCREW M10X25 FLD ZP	3
14	CFA00549	GREASE FITTING 6MM X 1/8" M/M	2
15	CFA00559	GRUBSCREW M10X12	1
16	CFA00679	BOLT M24X180 FINE THREAD	1
17	CFA00783	WASHER NL16 NORD-LOCK	1
18	CFA00796	DIN6916 WASHER M24 PEINER GALV	1
19	CFA00824	KEY 10X8X30 DIN6885A	1
20	CMH00511	BUSH 90X135X46 BEARING HOUSING	1
21	CMH00696	FLANGE 90X140X25 MACHINED	1
22	CMH01136	FLANGE 40 X 170 X 10	1
23	CMH01187	FLANGE 90X145X25 3 HOLE	1
24	CMH02301	STEPPED SHAFT BELT BALER	1
25	CMH02349	BUSH 50X60X20	1
26	CPL00052	NYLON SEAL ROLLER DRIVE SIDE	1
27	CPL00053	NYLON SEAL ROLLER NON DRIVE SIDE	1
28	CSE00099	SEAL OIL 58X80X8	2
29	CZC02063	3MM L BEARING RETAINER RING	1
30	CZE04255	5MM L WASHER 16X70X5	1
31	CZF05145	WASHER 65X25X6 BELT BALER	1

No.	Part No	Description	Qty
-----	---------	-------------	-----

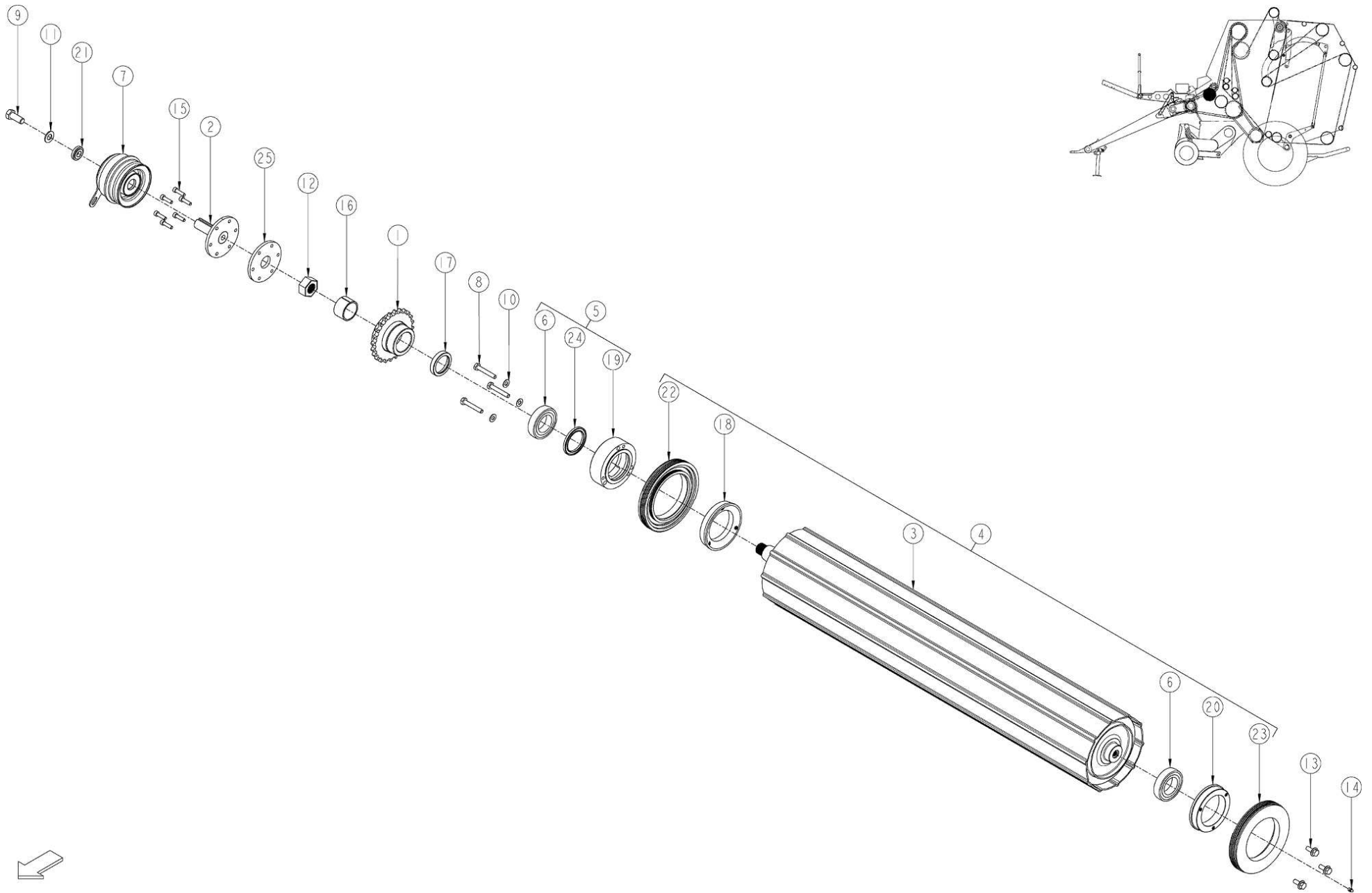
## **Bottom idle roller (592)**



No.	Part No	Description	Qty
1	ACH02401	24T SPROCKET ASSY BELT BALER	1
2	ARC00029	BALER ROLLER STD SHFT WELD ASY	1
3	ARC00030	BALER ROLLER STD COMP. ASSY.	1
4	ART00293	BEARING HOUSING 76210 ASSY	1
5	CBR00083	BEARING 1726210-2RS RADIAL	2
6	CFA00028	BOLT M10X65 Z/P	3
7	CFA00251	WASHER SKM10	3
8	CFA00401	NUT M30X2 FINE THREAD	1
9	CFA00520	SETSCREW M10X25 FLD ZP	3
10	CFA00590	GREASE NIPPLE 1/8" BSP ST	1
11	CMH00507	BUSH 39X56X33 TAPPER	1
12	CMH00510	BUSH 50X68X12.5 STEP	1
13	CMH00696	FLANGE 90X140X25 MACHINED	1
14	CMH00905	BUSH 90X135X46 BEARING HOUSING	1
15	CMH01187	FLANGE 90X145X25 3 HOLE	1
16	CPL00052	NYLON SEAL ROLLER DRIVE SIDE	1
17	CPL00053	NYLON SEAL ROLLER NON DRIVE SIDE	1
18	CSE00099	SEAL OIL 58X80X8	1

No.	Part No	Description	Qty
-----	---------	-------------	-----

# Top idle roller (593)

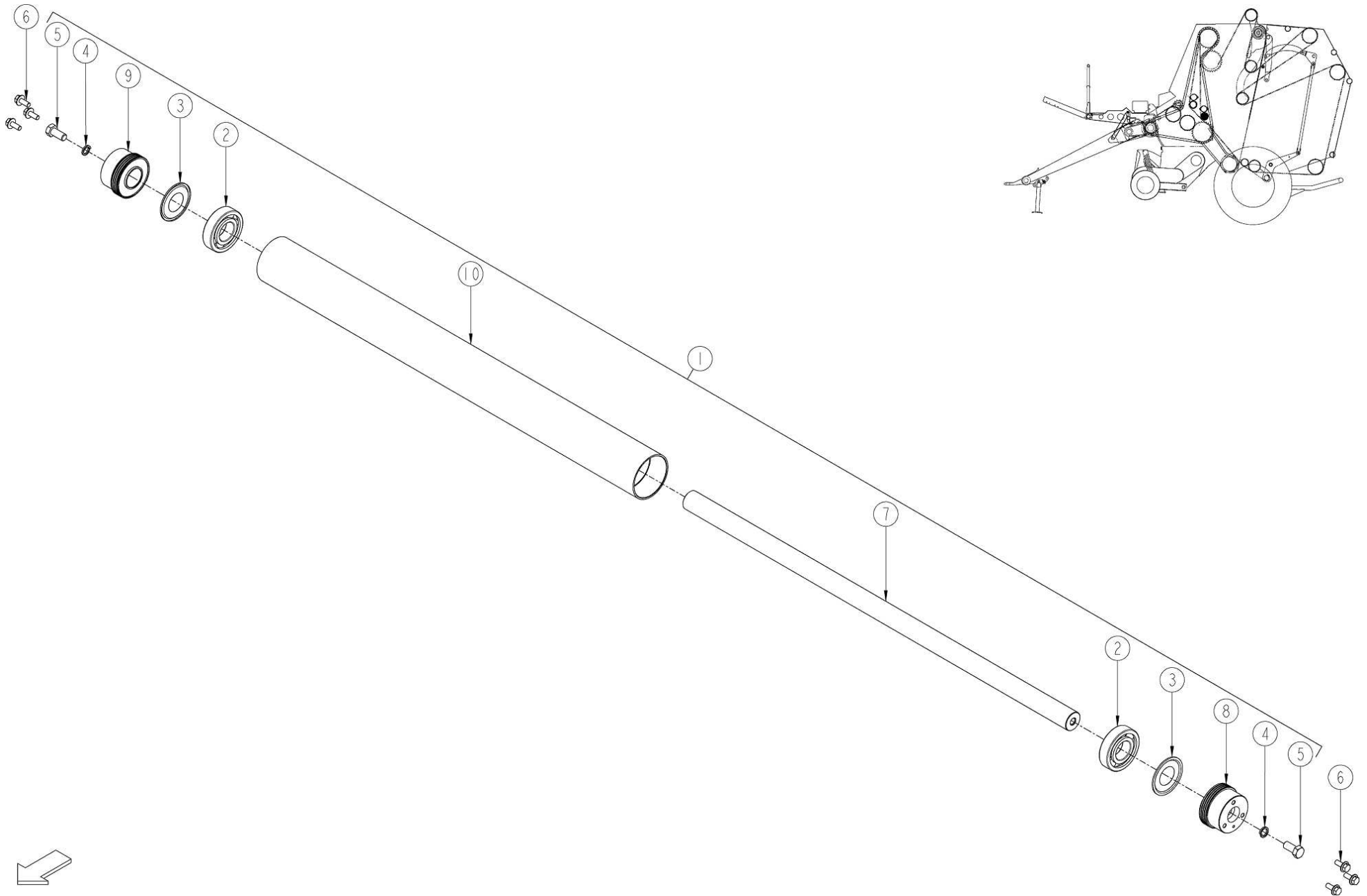




No.	Part No	Description	Qty
1	ACH02402	24T SPROCKET ASSY BELT BALER	1
2	ACH02404	CLUTCH SHAFT WELD ASSY	1
3	ARC00029	BALER ROLLER STD SHFT WELD ASY	1
4	ARC00030	BALER ROLLER STD COMP. ASSY.	1
5	ART00293	BEARING HOUSING 76210 ASSY	1
6	CBR00083	BEARING 1726210-2RS RADIAL	2
7	CEL00259	SHAFT MOUNTED	1
8	CFA00028	BOLT M10X65 Z/P	3
9	CFA00151	SETSCREW M16X40 Z/P	1
10	CFA00251	WASHER SKM10	3
11	CFA00252	WASHER SKM16	1
12	CFA00401	NUT M30X2 FINE THREAD	1
13	CFA00520	SETSCREW M10X25 FLD ZP	3
14	CFA00590	GREASE NIPPLE 1/8" BSP ST	1
15	CFA02218	BOLT M8X30 SOC CAP BTN HD ZP	6
16	CMH00507	BUSH 39X56X33 TAPPER	1
17	CMH00510	BUSH 50X68X12.5 STEP	1
18	CMH00696	FLANGE 90X140X25 MACHINED	1
19	CMH00905	BUSH 90X135X46 BEARING HOUSING	1
20	CMH01187	FLANGE 90X145X25 3 HOLE	1
21	CMH02206	WASHER 16X38X10 STEPPED Z/P	1
22	CPL00052	NYLON SEAL ROLLER DRIVE SIDE	1
23	CPL00053	NYLON SEAL ROLLER NON DRIVE SIDE	1
24	CSE00099	SEAL OIL 58X80X8	1
25	CZG04276	8MM L PART BELT BALER	1

No.	Part No	Description	Qty
-----	---------	-------------	-----

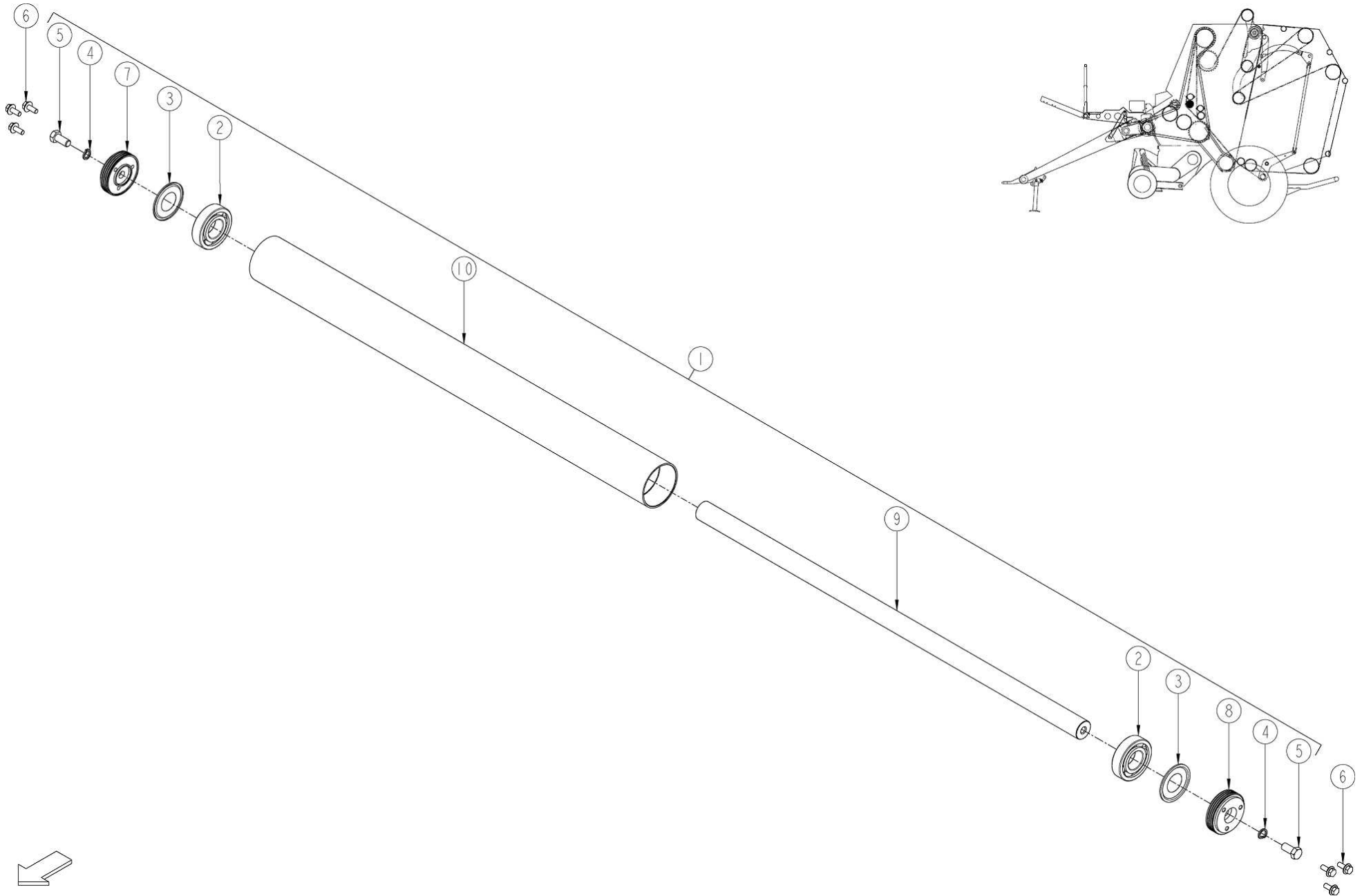
## **Small idle roller bottom (594)**



No.	Part No	Description	Qty
1	ARC00201	BELT BALER IDLE ROLLER ASSY	1
2	CBR00253	BEARING 6309 2RS	2
3	CBR00281	NILOS RING 6309 AV	2
4	CFA00142	WASHER SPRING 16MM Z/P	2
5	CFA00229	SETSCREW M16X35 Z/P	2
6	CFA00520	SETSCREW M10X25 FLD ZP	6
7	CMH02029	SHAFT VAR BALER	1
8	CMH02359	SMALL SEALING DISC RIGHT V BALER	1
9	CMH02360	SMALL SEALING DISC LEFT VAR BALER	1
10	CXT04139	TUBE 108X6.3X1160 VAR BALER	1

No.	Part No	Description	Qty
-----	---------	-------------	-----

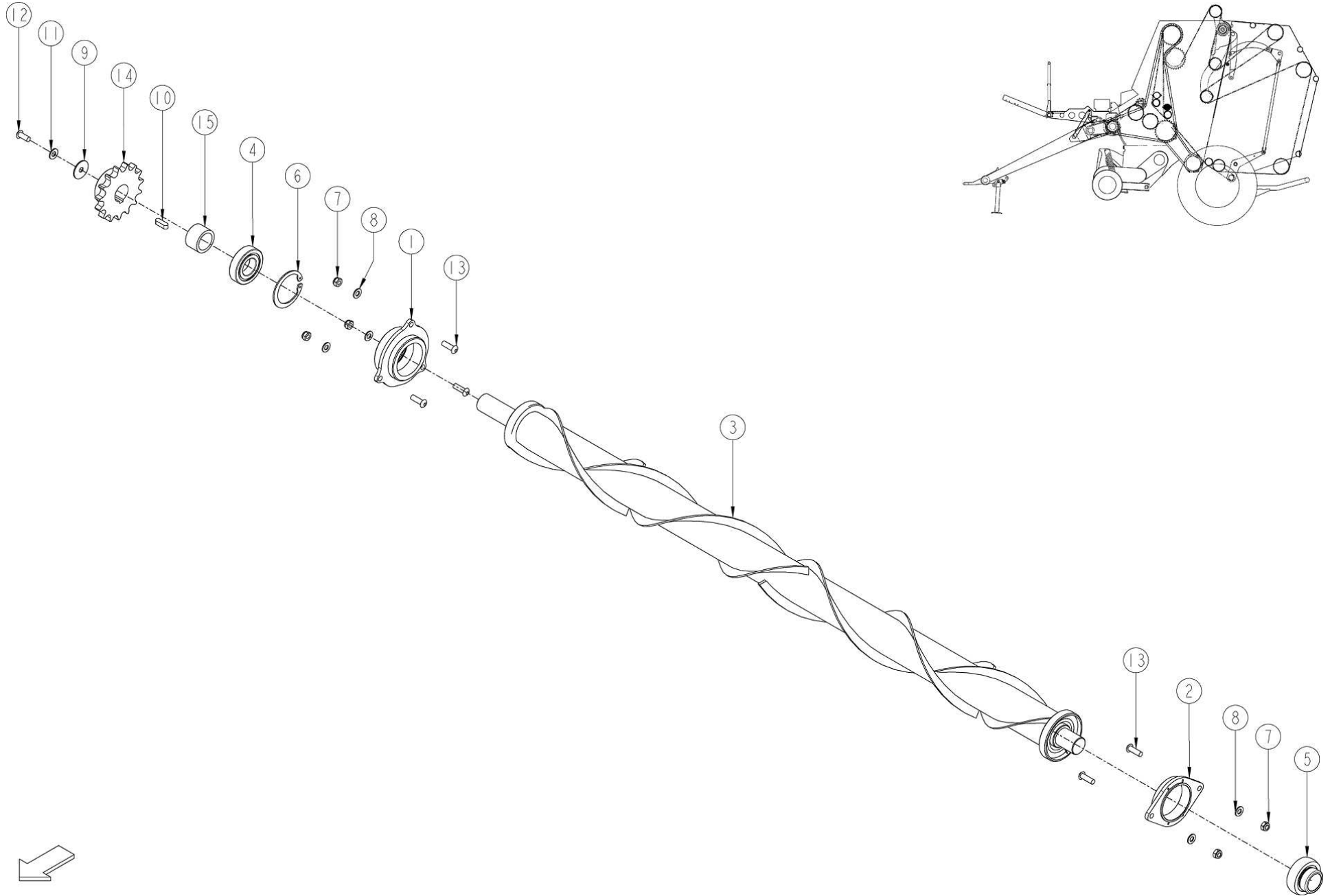
# **Small idle roller top (595)**



No.	Part No	Description	Qty
1	ACH02032	ROLLER ASSY V BALER	1
2	CBR00253	BEARING 6309 2RS	2
3	CBR00281	NILOS RING 6309 AV	2
4	CFA00142	WASHER SPRING 16MM Z/P	2
5	CFA00229	SETSCREW M16X35 Z/P	2
6	CFA00520	SETSCREW M10X25 FLD ZP	6
7	CMH02008	SEALING DISC V BALER	1
8	CMH02009	SEALING DISC V BALER	1
9	CMH02029	SHAFT VAR BALER	1
10	CXT04006	TUBE VAR BALER	1

No.	Part No	Description	Qty
-----	---------	-------------	-----

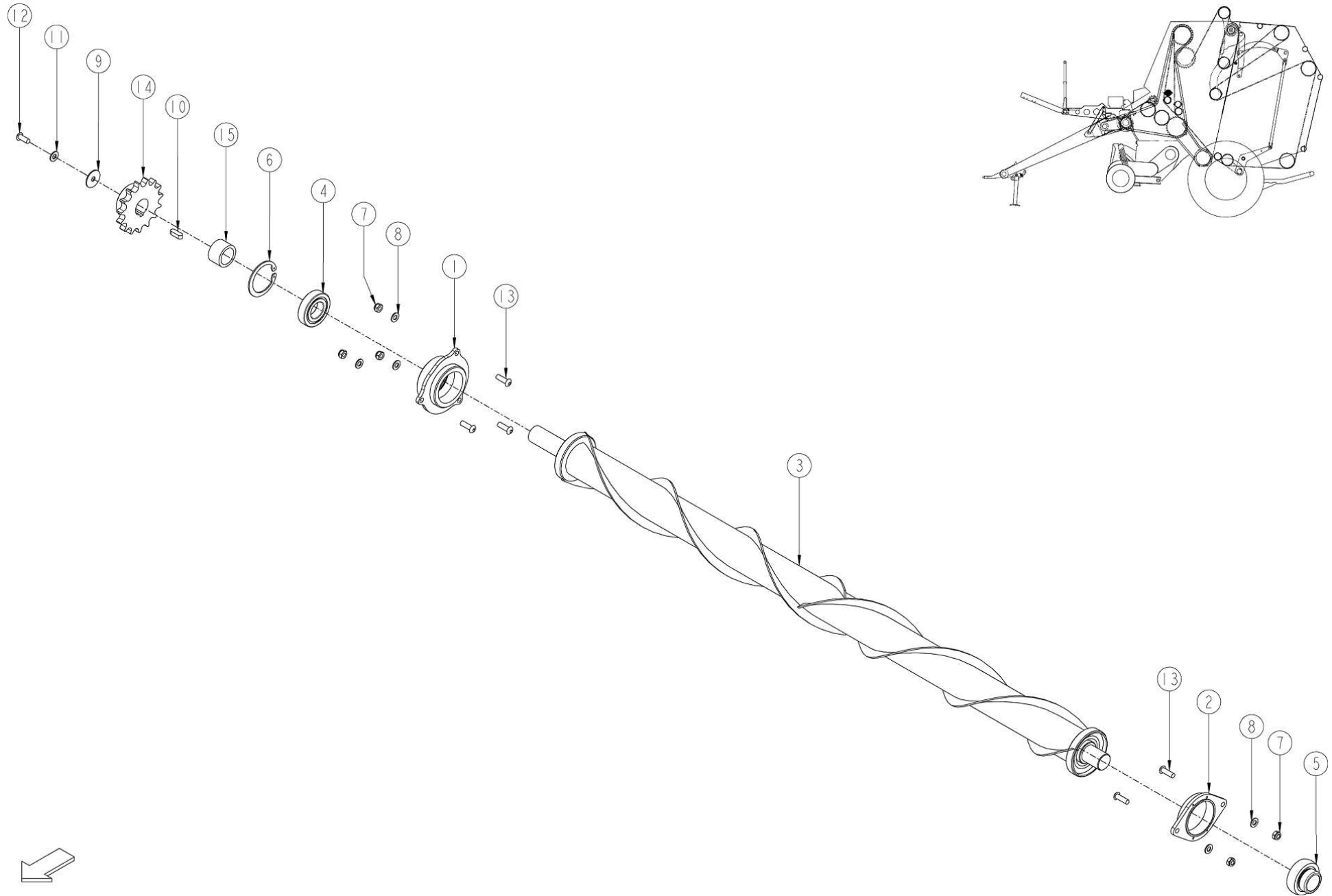
# **Bottom auger (596)**



No.	Part No	Description	Qty
1	ACH02399	AUGER BEARING HOUSING ASSY	1
2	ACH02430	AUGER BEARING HOUSING BELT BALER	1
3	ARC00186	AUGER WELD ASSY BOTTOM	1
4	CBR00024	BEARING 62062RS	1
5	CBR00074	BEARING INSERT FOR SLFE 30	1
6	CFA00002	CIRCLIP 62MM INTERNAL	1
7	CFA00132	NUT M8 NYLOC Z/P	5
8	CFA00147	WASHER FLAT 8MM Z/P	5
9	CFA00149	WASHER MUDWING M8 31.75OD	1
10	CFA00154	KEY 8 X 7 X 25	1
11	CFA00249	WASHER SKM8	1
12	CFA00429	SETSCREW M8X20 BUTTON HEAD Z/P	1
13	CFA00744	SETSCREW M8X25 BUTTO	5
14	CMH02299	3/4" 15T SPROCKET BELT BALER	1
15	CMH02354	SPACER 30X40X25 BELT BALER	1

No.	Part No	Description	Qty
-----	---------	-------------	-----

**Top auger (597)**

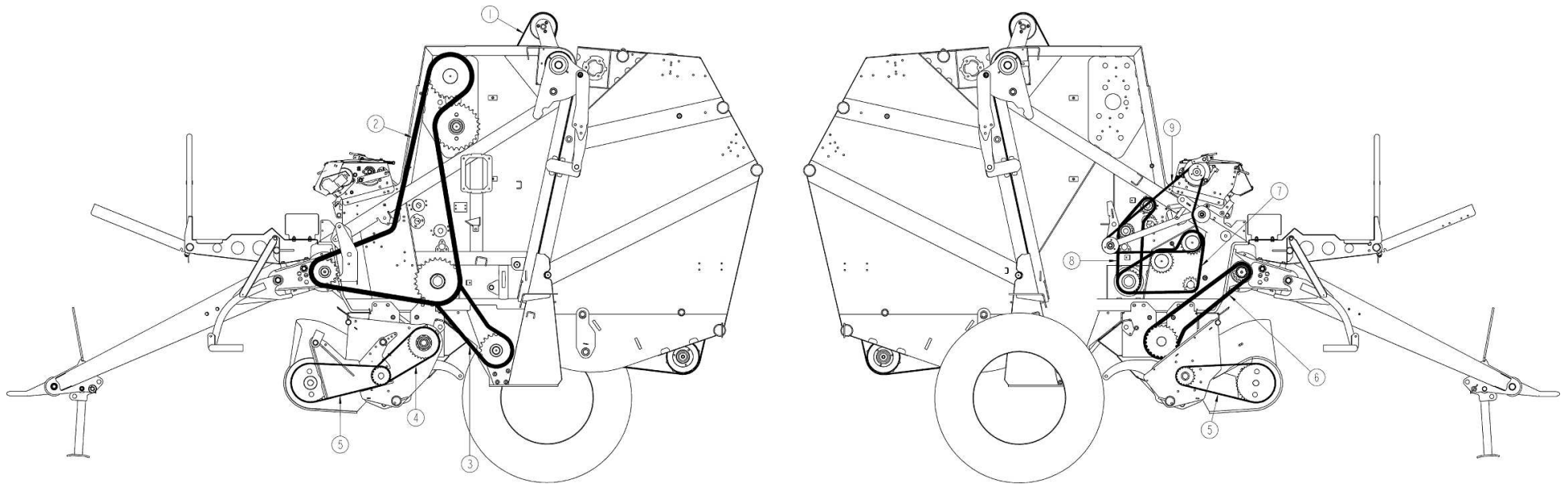




No.	Part No	Description	Qty
1	ACH02399	AUGER BEARING HOUSING ASSY	1
2	ACH02430	AUGER BEARING HOUSING BELT BALER	1
3	ARC00187	AUGER WELD ASSY TOP	1
4	CBR00024	BEARING 62062RS	1
5	CBR00074	BEARING INSERT FOR SLFE 30	1
6	CFA00002	CIRCLIP 62MM INTERNAL	1
7	CFA00132	NUT M8 NYLOC Z/P	5
8	CFA00147	WASHER FLAT 8MM Z/P	5
9	CFA00149	WASHER MUDWING M8 31.75OD	1
10	CFA00154	KEY 8 X 7 X 25	1
11	CFA00249	WASHER SKM8	1
12	CFA00429	SETSCREW M8X20 BUTTON HEAD Z/P	1
13	CFA00744	SETSCREW M8X25 BUTTO	5
14	CMH02299	3/4" 15T SPROCKET BELT BALER	1
15	CMH02354	SPACER 30X40X25 BELT BALER	1

No.	Part No	Description	Qty
-----	---------	-------------	-----

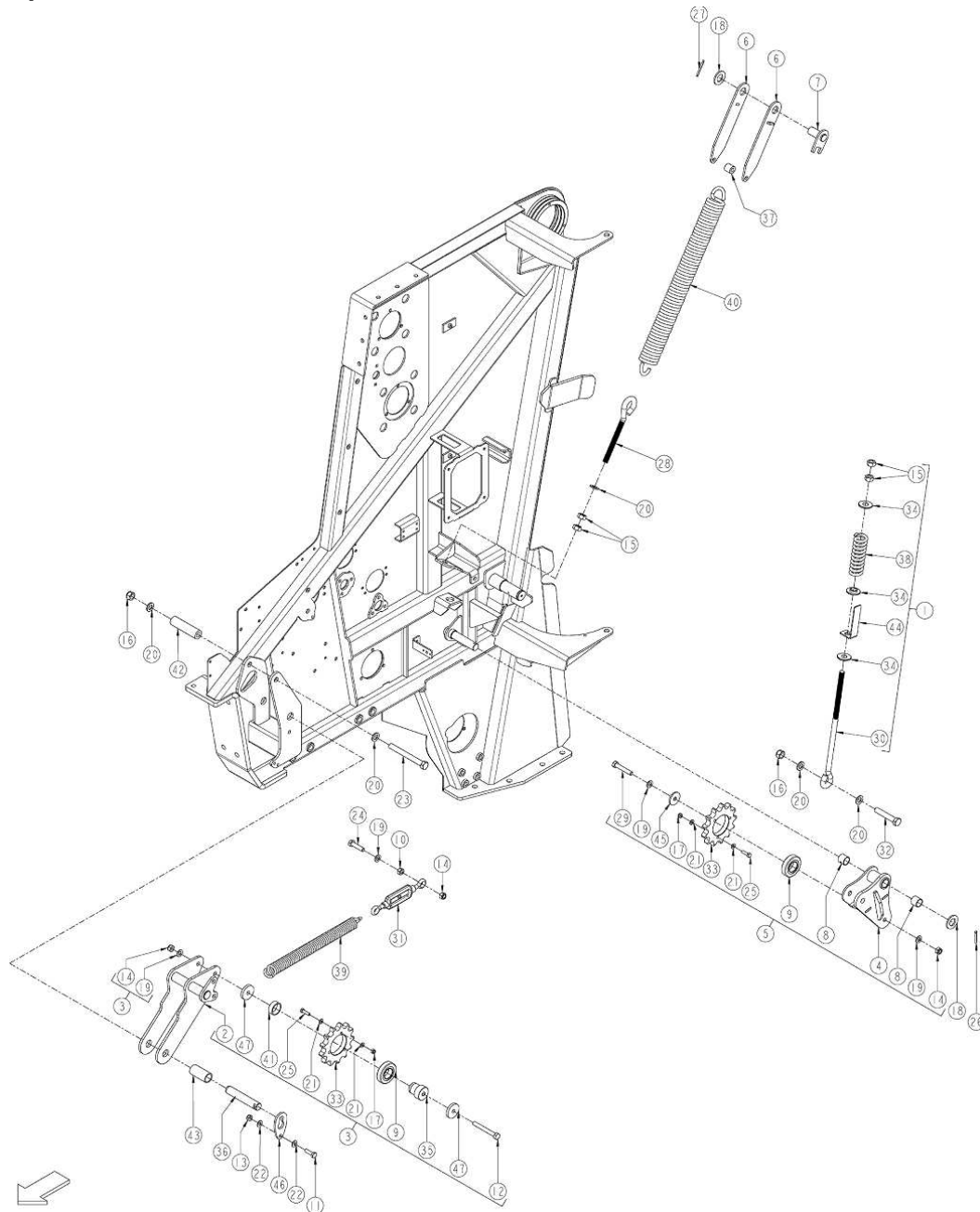
**Belts & Chains (601)**



No.	Part No	Description	Qty
1	CBE00184	SHORT BELT VARIABLE BALER	3
2	CCH00164	CHAIN	1
3	CCH00165	CHAIN 20B 60 PITCHS INCL LINK	1
4	CCH02025	CHAIN ASA60H 3/4" 62 INC LINK	1
5	CCH02026	CHAIN ASA60H 3/4" 78 INC LINK	2
6	CCH00171	DUPLEX CHAIN BELT BALER	1
7	CCH00169	NET ROLLER CHAIN BELT BALER	1
8	CCH00170	AUGER DRIVE CHAIN BELT BALER	1
9	CBE00181	V BELT NETTER BELT BALER A78	1

No.	Part No	Description	Qty
-----	---------	-------------	-----

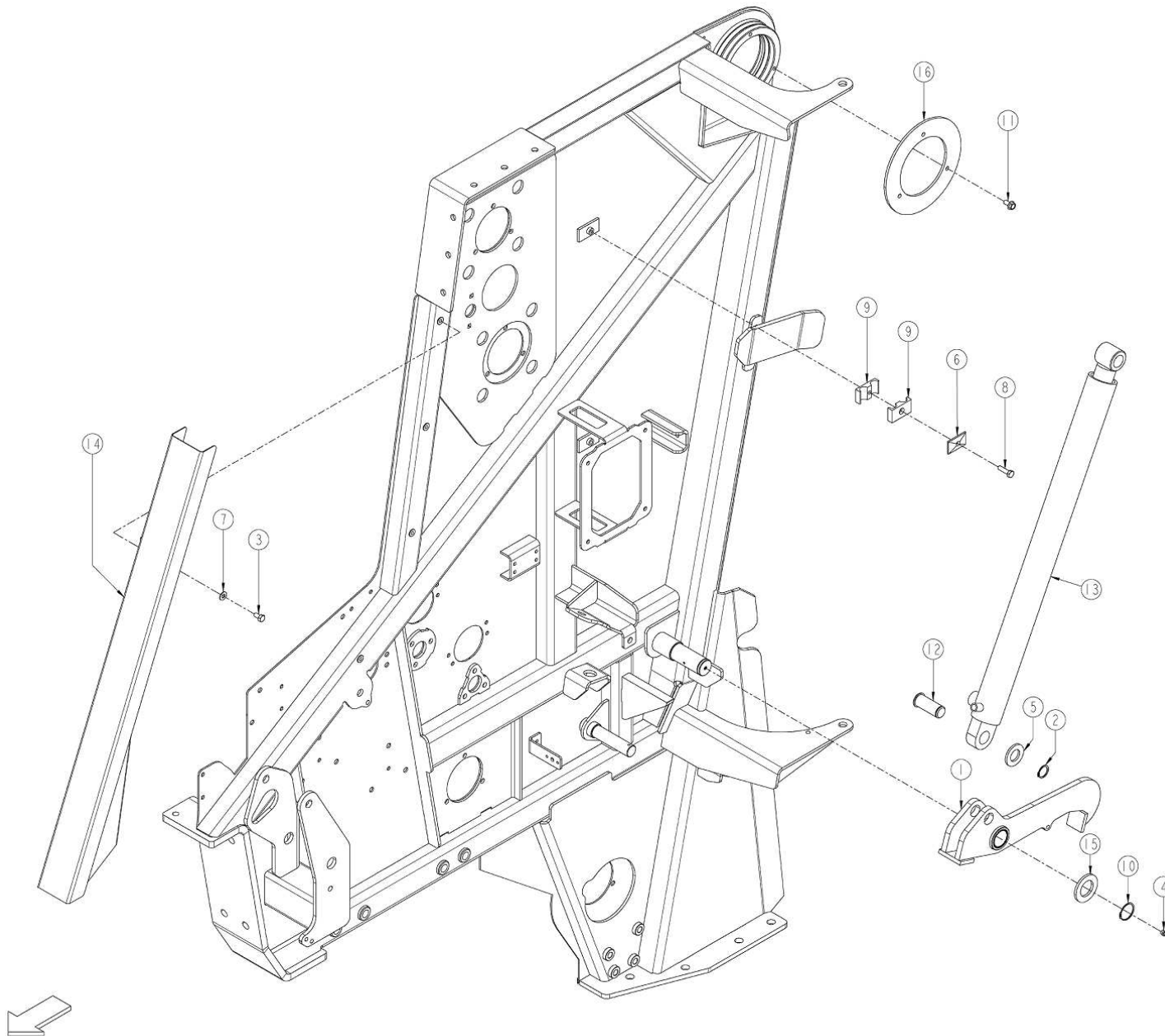
**Front chamber LHS 1 (607)**



No.	Part No	Description	Qty
1	ACH00437	FRONT CHAIN ADJ.COMP	1
2	ACH00954	CHAIN TENSIONER WELD ASSY	1
3	ACH00955	CHAIN TENSIONER COMP ASSY	1
4	ACH02245	WELD ASSY BELT BALER	1
5	ACH02429	CHAIN TENSIONER ASSY COMP BELT BALER	1
6	ALA00343	SPRING BRACKET ASSY BELT BALER	2
7	ALA00344	WELDED PIN ASSY BELT BALER	1
8	CBR00039	BEARING GLACIER PM 2525 DX	2
9	CBR00062	BEARING RADIAL 6207LLU (SKF)	2
10	CFA00014	NUT M12	1
11	CFA00016	BOLT M10X35	1
12	CFA00035	BOLT M12X100 Z/P	1
13	CFA00123	NUT M10 NYLOC	1
14	CFA00124	NUT M12 NYLOC	3
15	CFA00127	NUT M16	4
16	CFA00128	NUT M16 NYLOC	2
17	CFA00132	NUT M8 NYLOC Z/P	6
18	CFA00135	WASHER FLAT 1" Z/P	2
19	CFA00138	WASHER FLAT 12MM Z/P	4
20	CFA00140	WASHER FLAT 16MM Z/P	5
21	CFA00147	WASHER FLAT 8MM Z/P	12
22	CFA00201	WASHER FLAT 10 MM Z/P	2
23	CFA00259	BOLT M16X150 Z/P	1
24	CFA00270	SETSCREW M12X50 Z/P	1
25	CFA00316	BOLT M8X30 Z/P	6
26	CFA00475	SPLIT PIN 5X40 Z/P	1
27	CFA00556	SPLIT PIN 6X50 Z/P	1
28	CFA00561	EYE BOLT 16MM SPRING TENSIONER	1
29	CFA00592	BOLT M12X70 ZP	1
30	CFA00672	EYE BOLT 16MM SPRING TENSIONER	1
31	CFA00774	TURNBUCKLE EYE 12MM	1
32	CFA00794	BOLT M16 X 90	1
33	CMH00463	SPROCKET 1 1/4" 13 TOOTH	2
34	CMH00464	BUSH 45X17X10 STEPPED 25	3
35	CMH00467	BUSH 45X12.5X52 STEPPED 35	1
36	CMH00675	PIN 25 X 140 MILLED FOR CAP Z/P	1
37	CMH02351	BUSH 12X25X25 BELT BALER	1
38	CSG00025	SPRING COMPX8.5X44.8	1
39	CSG00206	SPRING EXT 7X36 OD X375	1
40	CSG00214	9.53MMW/DX61MM O/DX596 I/HKS	1
41	CXT00185	TUBE 42.4X3X15	1
42	CXT00419	C030X7X112	1
43	CXT00490	TUBE 33.7X68	1
44	CZC02057	3MM L CHAIN TENSIONE	1
45	CZD02186	4MM L WASHER 50X13X4	1
46	CZF00292	6MM L CAP LONG FOR 25MM PINS	1
47	CZG02236	8MM L SPACER PART	2

No.	Part No	Description	Qty
-----	---------	-------------	-----

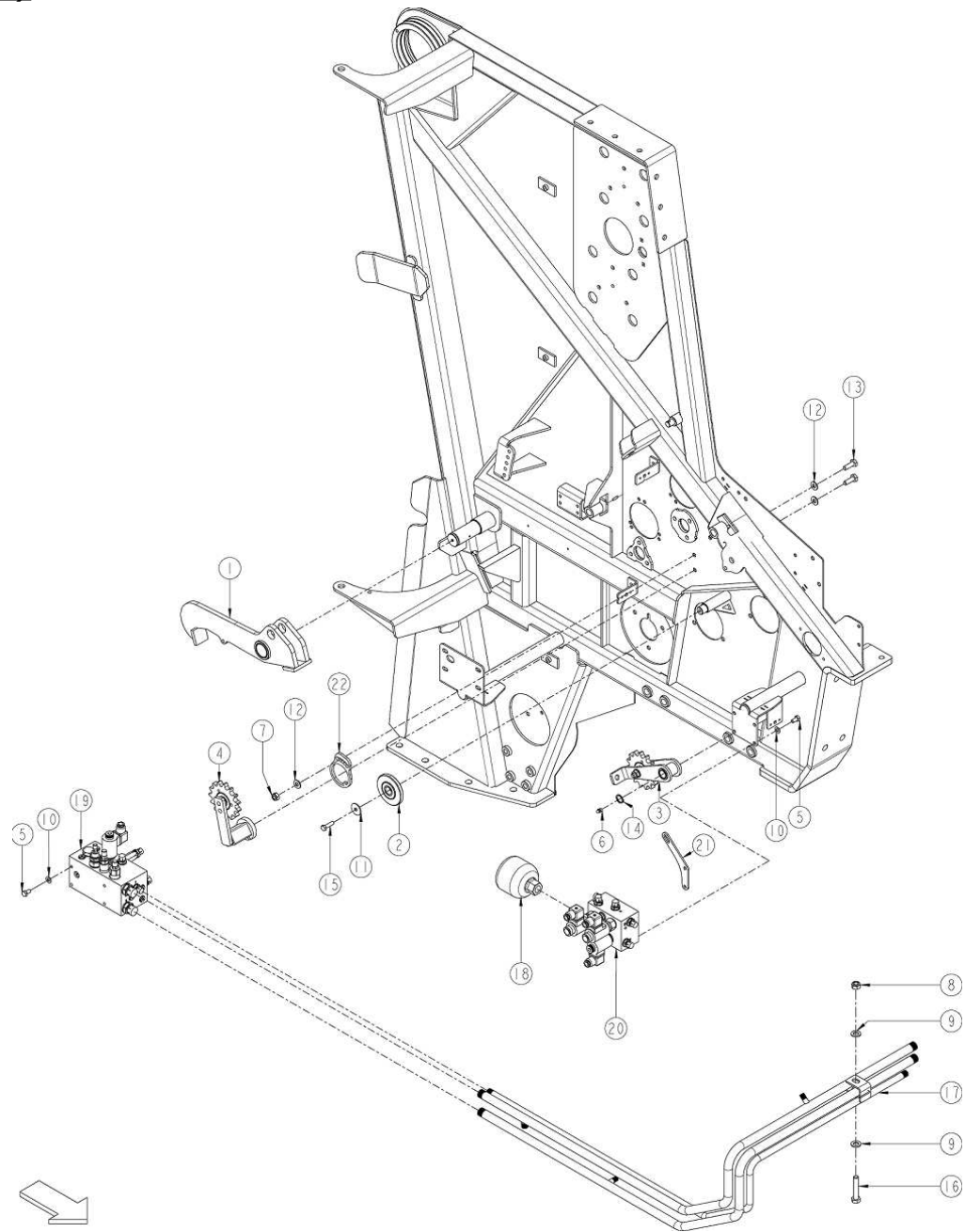
**Front chamber LHS 2 (609)**



No.	Part No	Description	Qty
1	ACH02248	WELD ASSY BELT BALER	1
2	CFA00001	CIRCLIP 25MM EXTERNAL Z/P	1
3	CFA00101	SETSCREW M8X16 Z/P	4
4	CFA00118	GREASE NIPPLE M8X1.25 STRAIGHT	1
5	CFA00135	WASHER FLAT 1" Z/P	1
6	CFA00183	HOSE CLAMP COVER PLATE 14-18	2
7	CFA00249	WASHER SKM8	4
8	CFA00316	BOLT M8X30 Z/P	2
9	CFA00370	HOSE CLAMP 18MM (2 PER SET)	4
10	CFA00514	CIRCLIP 35MM EXTERNAL	1
11	CFA00519	SETSCREW M8X16 FLD ZP	3
12	CMH02041	PIN VAR BALER	1
13	CRA00571	DOOR RAM BELT BALER 35MM	2
14	CZB00226	1.5MM L CHAIN GUARD BELT BALER	1
15	CZE04247	WASHER 60X35.5X5 BELT BALER	1
16	CZE04249	5MM HINGE PLATE BELT BALER	1
16a	UWP00042	V660 HINGE REPAIR KIT	1
<i>KIT INCLUDES LH &amp; RH WELD-IN HINGE BOSS, BUSHINGS, ITEM 16 &amp; INSTRUCTIONS TO REPAIR BOTH SIDES</i>			

No.	Part No	Description	Qty
-----	---------	-------------	-----

**Front chamber RHS 1 (611)**

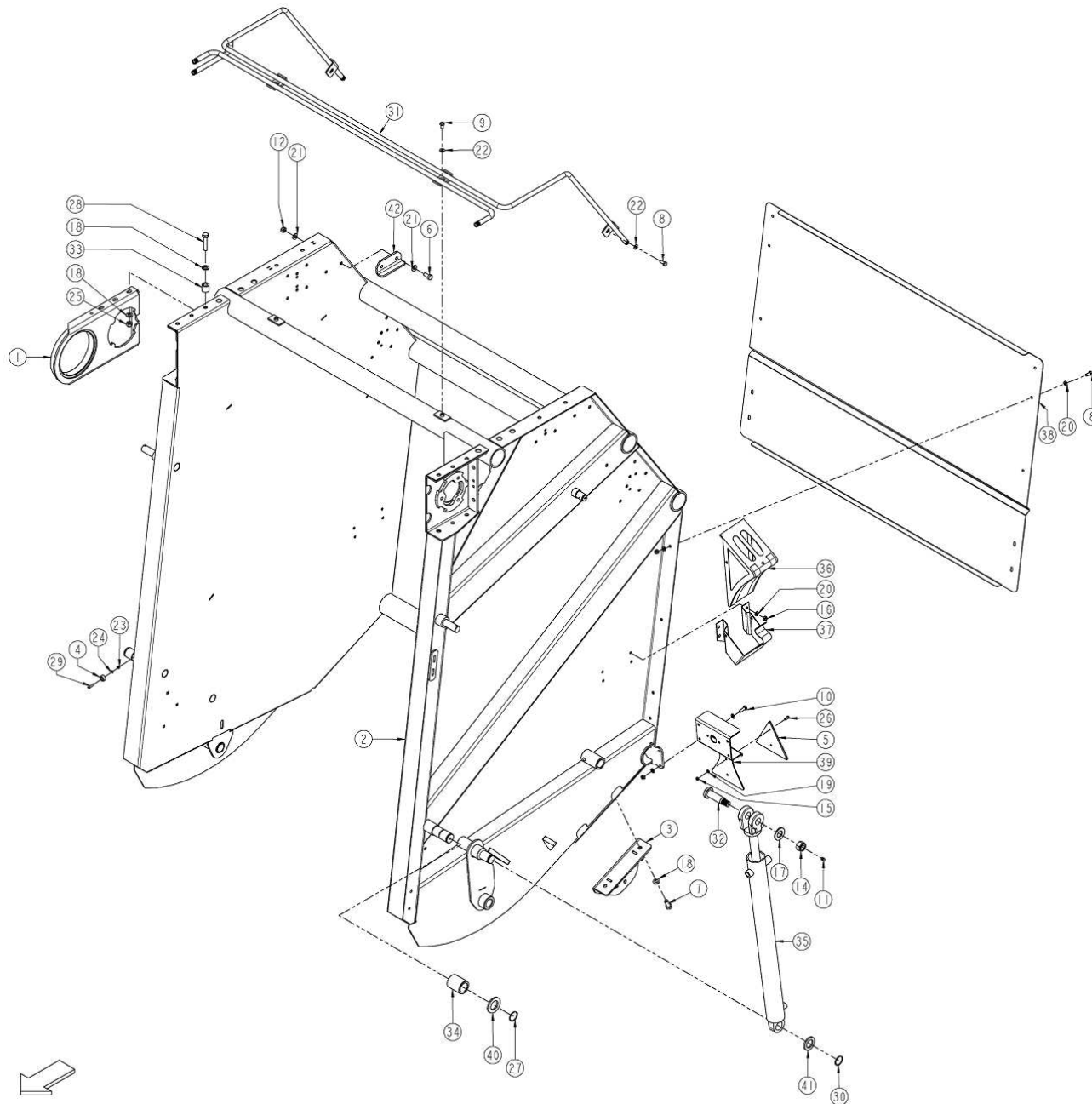




No.	Part No	Description	Qty
1	ACH02258	WELD ASSY BELT BALER	1
2	ACH02405	TENSIONER ASSY BELT BALER	1
3	ACH02418	CHAIN TENSIONER COMP ASSY	1
4	ALA00341	TENSIONER ASSY BELT BALER	1
5	CFA00101	SETSCREW M8X16 Z/P	8
6	CFA00118	GREASE NIPPLE M8X1.25 STRAIGHT	1
7	CFA00123	NUT M10 NYLOC	1
8	CFA00124	NUT M12 NYLOC	1
9	CFA00138	WASHER FLAT 12MM Z/P	2
10	CFA00147	WASHER FLAT 8MM Z/P	8
11	CFA00149	WASHER MUDWING M8 31.75OD	1
12	CFA00201	WASHER FLAT 10 MM Z/P	3
13	CFA00230	SETSCREW M10X30 Z/P	2
14	CFA00339	CIRCLIP 20MM EXTERNAL	1
15	CFA00491	SETSCREW M8X30 Z/P	1
16	CFA00579	BOLT M12X65 ZP	1
17	CHY02580	HYD STEEL PIPE ASSY BELT BALER	1
18	CVA00165	ACCUMULATOR 0.5 LITRE 25 BAR	1
19	CVA00329	DENSITY VALVE DOOR CTRL BELT BALER	1
20	CVA00336	VALVE ASSY KNIFE/FLOOR CRTL F550	1
21	CZD04401	4MM CLUTCH PLATE BELT BALER	1
22	CZF05093	6MM L LOCKING PLATE	1

No.	Part No	Description	Qty
-----	---------	-------------	-----

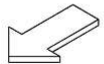
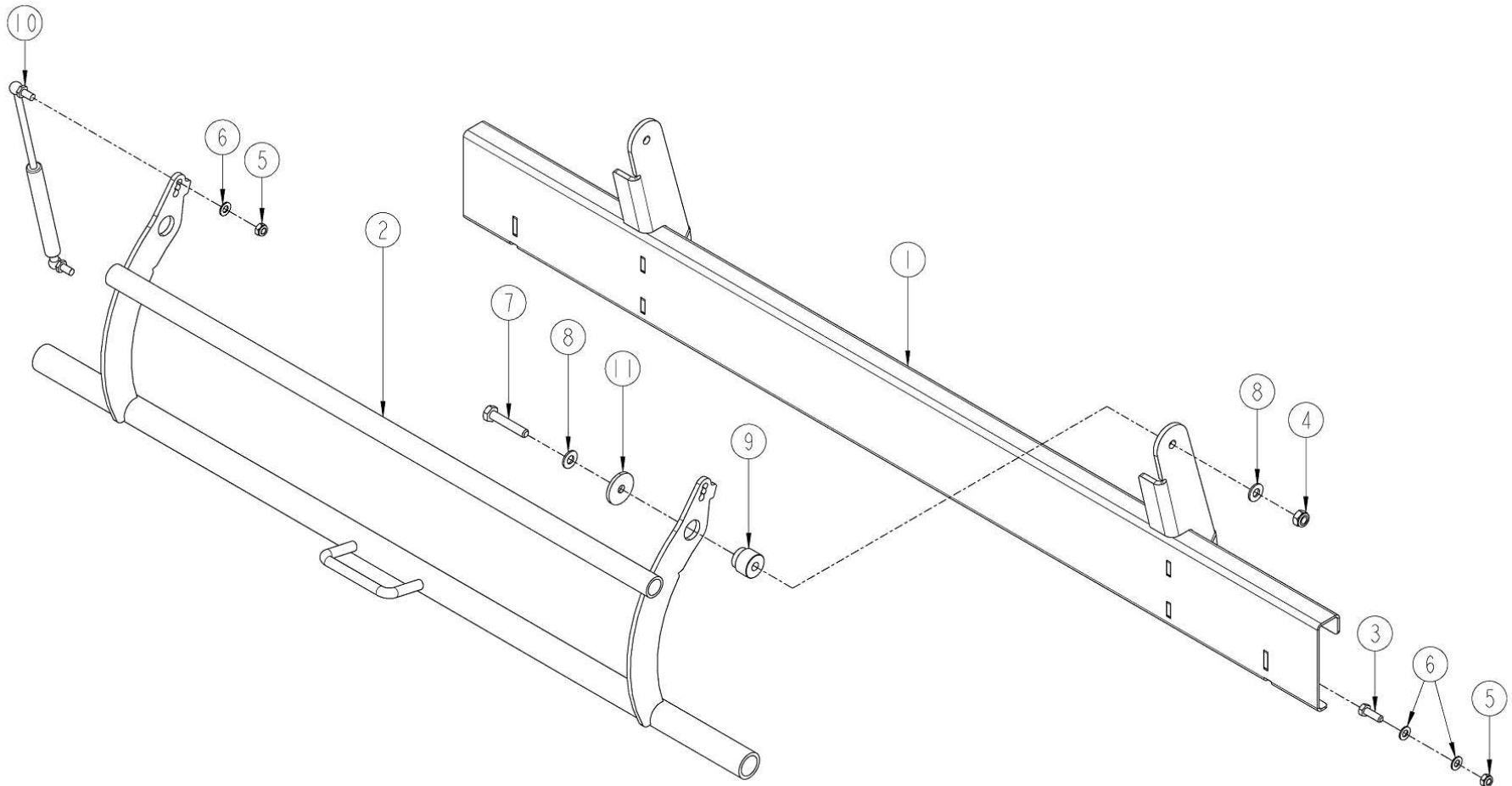
# Rear door (583)



No.	Part No	Description	Qty
1	ACH00170	HINGE ASSY BALER DOOR	2
2	ACH02406	BACK DOOR WELD ASSY BELT BALER	1
3	ACH02428	ROLLER BRACKET ASSY BELT BALER	2
4	CEL00059	MAGNET 20 X 10 260369	1
5	CEL00077	REFLECTOR REAR RECTANGULAR RED	2
6	CFA00024	SETSCREW M10X25 Z/P	4
7	CFA00032	SETSCREW M12X30 Z/P	4
8	CFA00052	SETSCREW M8X20 Z/P	20
9	CFA00101	SETSCREW M8X16 Z/P	2
10	CFA00102	SETSCREW M8X25 Z/P	4
11	CFA00118	GREASE NIPPLE M8X1.25 STRAIGHT	2
12	CFA00123	NUT M10 NYLOC	4
13	CFA00124	NUT M12 NYLOC	4
14	CFA00129	NUT M20 NYLOC	2
15	CFA00131	NUT M6 NYLOC	4
16	CFA00132	NUT M8 NYLOC Z/P	22
17	CFA00135	WASHER FLAT 1" Z/P	2
18	CFA00138	WASHER FLAT 12MM Z/P	38
19	CFA00144	WASHER FLAT 6MM Z/P	4
20	CFA00147	WASHER FLAT 8MM Z/P	36
21	CFA00201	WASHER FLAT 10 MM Z/P	8
22	CFA00249	WASHER SKM8	4
23	CFA00321	NUT M5 NYLOC	1
24	CFA00337	WASHER FLAT 5MM Z/P	1
25	CFA00417	NUT M12X1.5 NYLOC FINE THREAD	14
26	CFA00427	SETSCREW M6X16 BUTTON HEAD Z/P	4
27	CFA00514	CIRCLIP 35MM EXTERNAL	2
28	CFA00586	BOLT M12X60X10.9 FINDTHREAD ZP	16
29	CFA00608	USE PART NO. CFA00261 [SETSCREW M5X25 CSK HEAD SS]	1
30	CFA00638	CIRCLIP EXTERNAL 33MM Z/P	2
31	CHY02582	HYD PIPE ASSY BACK DOOR BELT BALER	1
32	CMH00017	PIN 25X105&M20 THREAD STEPPED	2
33	CMH00745	BUSH 12X25X25	16
34	CMH02340	BUSH 35X50X60 DOOR LOCK VAR	2
35	CRA00501	RAM TENSION 30X50 BELT BALER	2
36	CTP00075	PARKING CHOCKS BALE	2
37	CTP00076	BRACKET FOR PARKING CHOCK	2
38	CZB04252	BELT BALER PANEL REAR	1
39	CZC02264	3MM L LIGHT BRACKET (F550)	2
40	CZE04247	WASHER 60X35.5X5 BELT BALER	2
41	CZE04248	WASHER 50X32.5X5 BELT BALER	2
42	CZF04918	6MM L STOP BRACKET BELT BALER	2

No.	Part No	Description	Qty
-----	---------	-------------	-----

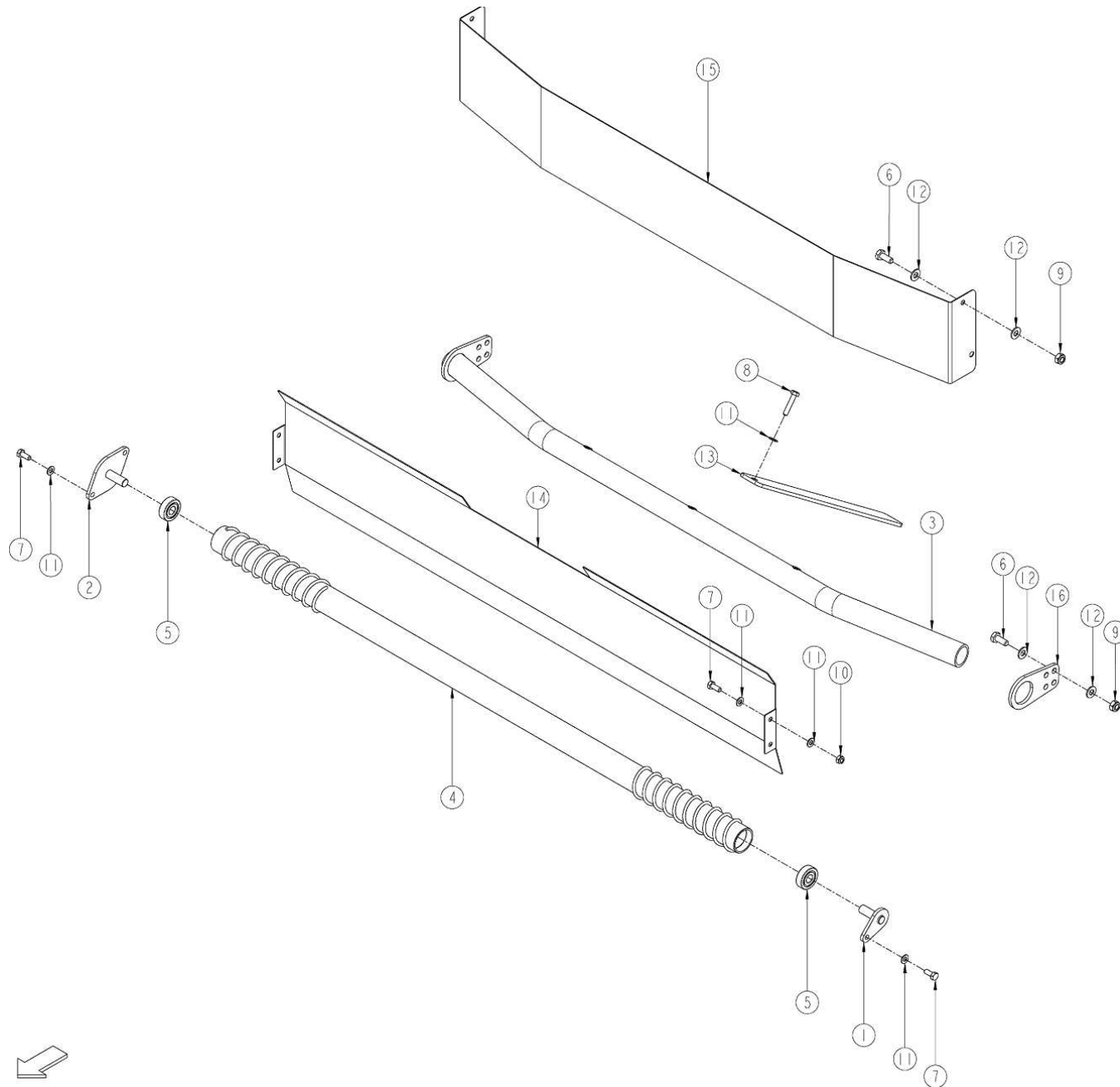
**Netter 1 (604)**



No.	Part No	Description	Qty
1	ACH02400	NET BOX BACK BELT BALER	1
2	ACH02426	NET BRAKE BAR WELD ASSY	1
3	CFA00102	SETSCREW M8X25 Z/P	4
4	CFA00123	NUT M10 NYLOC	2
5	CFA00132	NUT M8 NYLOC Z/P	8
6	CFA00147	WASHER FLAT 8MM Z/P	12
7	CFA00156	BOLT M10X55	2
8	CFA00201	WASHER FLAT 10 MM Z/P	4
9	CMH01212	BUSH 10.5X30X36 STEPPED 25	2
10	CRA00262	GAS STRUT 8X18X95 500NM	2
11	CZD00118	4MM L CUT& TIE SPACER	2

No.	Part No	Description	Qty
-----	---------	-------------	-----

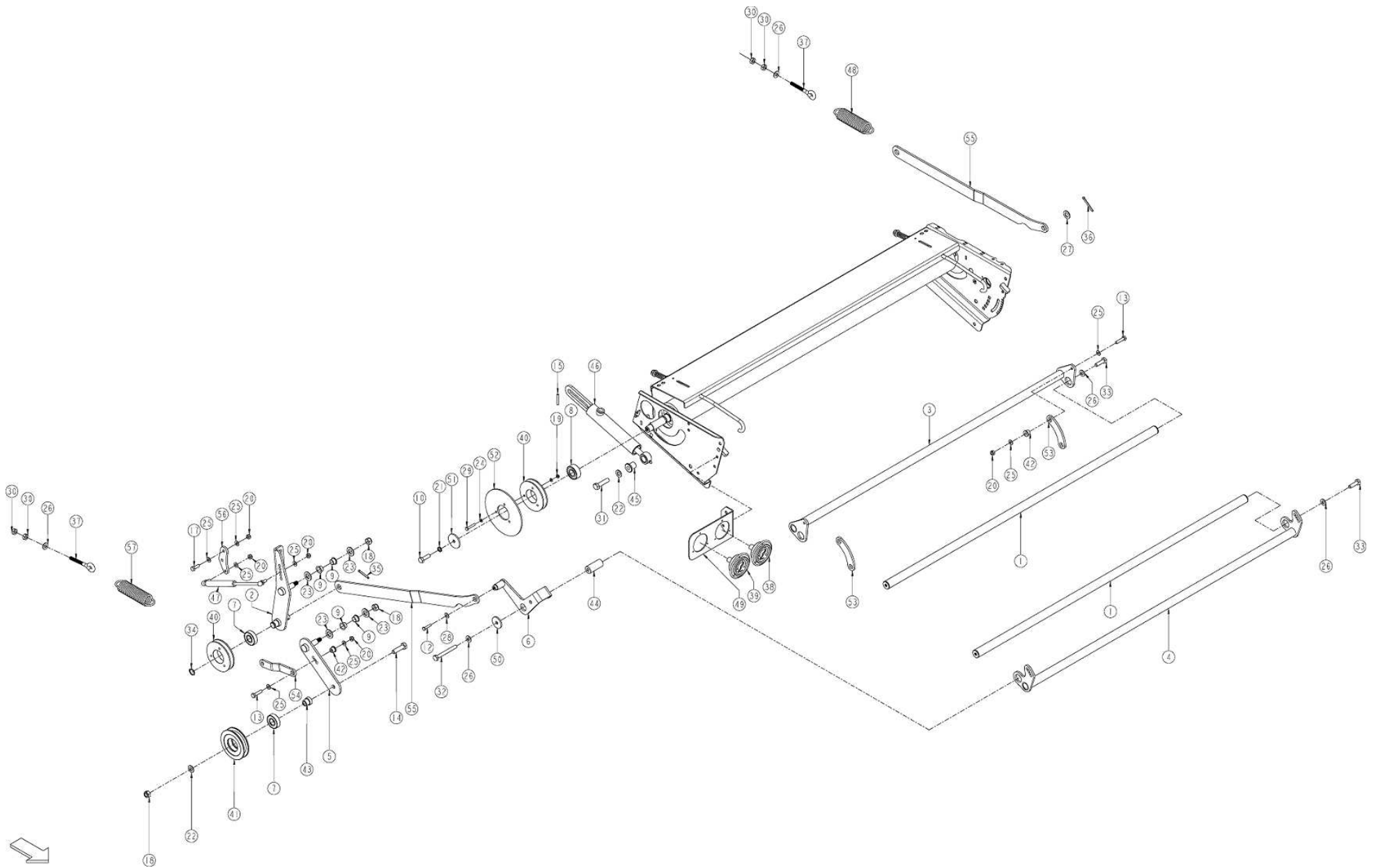
**Netter 2 (606)**



No.	Part No	Description	Qty
1	ACH01026	PIN WELD ASSY SPIRAL ROLLER	1
2	ACH01027	PIN WELD ASSY SPIRAL ROLLER	1
3	ALA00364	SPREADER BAR ASSY BELT BALER	1
4	ARC00198	SPIRAL BAR WELD ASSY 48MM	1
5	CBR00283	BEARING 6302 2RS	2
6	CFA00024	SETSCREW M10X25 Z/P	8
7	CFA00052	SETSCREW M8X20 Z/P	7
8	CFA00100	BOLT M8X40 Z/P	3
9	CFA00123	NUT M10 NYLOC	8
10	CFA00132	NUT M8 NYLOC Z/P	4
11	CFA00147	WASHER FLAT 8MM Z/P	14
12	CFA00201	WASHER FLAT 10 MM Z/P	16
13	CPL00113	NET GUIDE STRIP BELT BALER	3
14	CZB04259	1.5MM BRACKET BELT BALER	1
15	CZB04260	1.5MM BRACKET BELT BALER	1
16	CZF05203	6MM L NET BAR BRACKET BELT BALER	2

No.	Part No	Description	Qty
-----	---------	-------------	-----

**Netter 3 (614)**

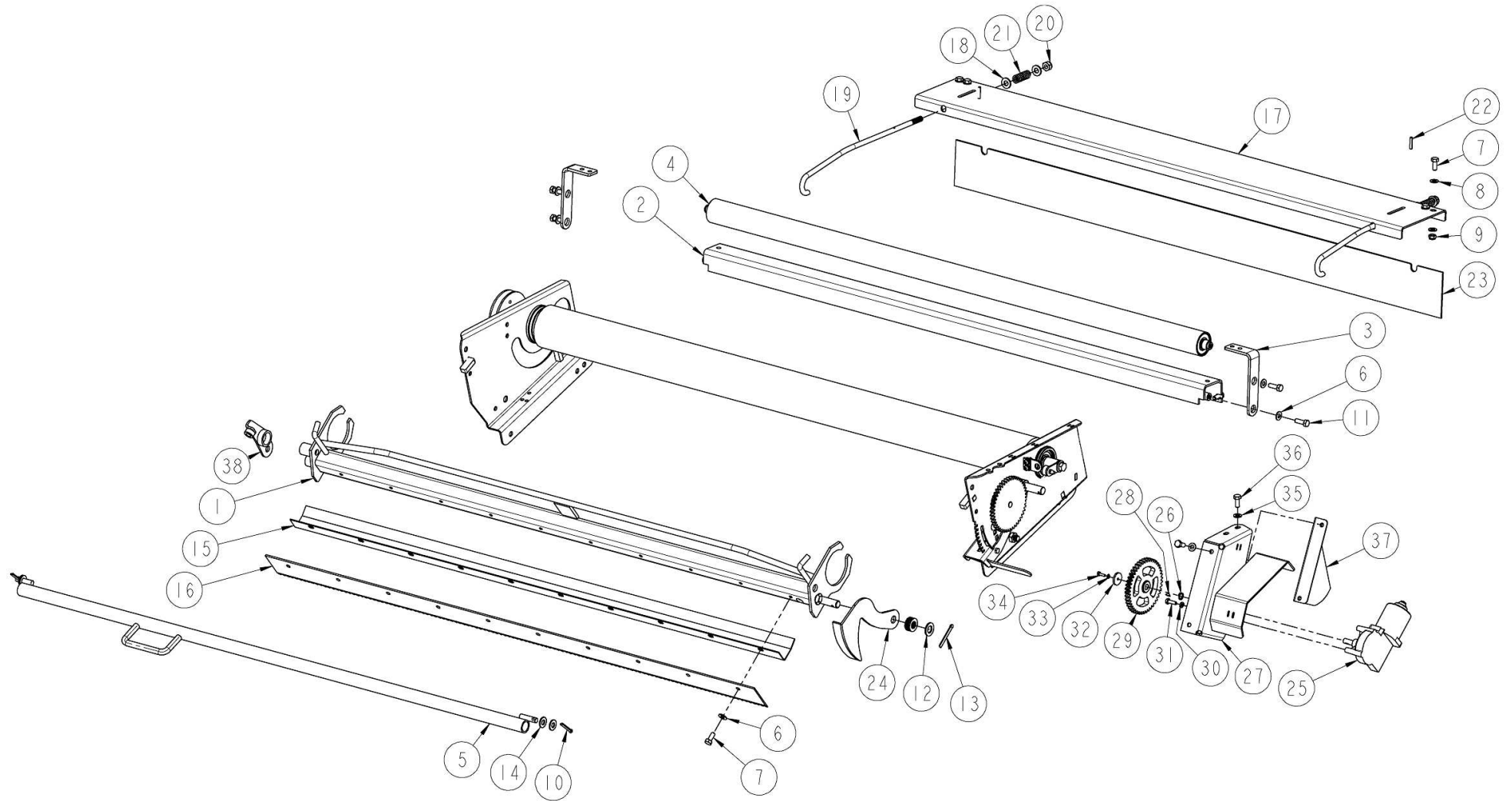




No.	Part No	Description	Qty
1	ALA00147	NET TENSION BAR HOLLAND	2
2	ALA00152	BELT TENSION ARM	1
3	ALA00184	NET BRAKE BAR TOP FUSION	1
4	ALA00185	NET BRAKE BAR LOWER	1
5	ALA00197	BELT TENSION WELD ASSY	1
6	ALA00349	NET TENSION RESET ASSY	1
7	CBR00020	BEARING 6204 2RS	2
8	CBR00084	BEARING SEALED SPRAG CLUTCH	1
9	CBR00118	BEARING STEPPED PLAS 16X18X12	4
10	CFA00016	BOLT M10X35	1
11	CFA00024	SETSCREW M10X25 Z/P	4
12	CFA00047	SETSCREW M6X30 Z/P	1
13	CFA00055	BOLT M8X35 Z/P	4
14	CFA00065	SETSCREW M12X45 Z/P	1
15	CFA00073	ROLL PIN 6X40	1
16	CFA00100	BOLT M8X40 Z/P	1
17	CFA00102	SETSCREW M8X25 Z/P	2
18	CFA00124	NUT M12 NYLOC	3
19	CFA00131	NUT M6 NYLOC	1
20	CFA00132	NUT M8 NYLOC Z/P	10
21	CFA00137		1
22	CFA00138	WASHER FLAT 12MM Z/P	2
23	CFA00140	WASHER FLAT 16MM Z/P	4
24	CFA00144	WASHER FLAT 6MM Z/P	2
25	CFA00147	WASHER FLAT 8MM Z/P	17
26	CFA00201	WASHER FLAT 10 MM Z/P	14
27	CFA00222	WASHER FLAT 14MM Z/P	1
28	CFA00249	WASHER SKM8	1
29	CFA00253	SETSCREW M6X35 Z/P	1
30	CFA00256	NUT M10 Z/P	4
31	CFA00270	SETSCREW M12X50 Z/P	1
32	CFA00284	BOLT M10X90 Z/P	1
33	CFA00311	SETSCREW M10X35 Z/P	3
34	CFA00339	CIRCLIP 20MM EXTERNAL	1
35	CFA00475	SPLIT PIN 5X40 Z/P	1
36	CFA00556	SPLIT PIN 6X50 Z/P	1
37	CFA00773	BOLT EYE M10X95	2
38	CHY00133	GAUGE PRESSURE 63DIA FLANGE	1
39	CHY00218	GAUGE PRESSURE 63 KN	1
40	CMH00596	V BELT PULLEY WHEEL	2
41	CMH00611	PULLEY 85MM OD GROVED	1
42	CMH00742	BUSH 8X20X13 Z/P	5
43	CMH00936	BUSH 12X25 STEPPED 20	1
44	CMH01075	BUSH 10X25X75	1
45	CMH01214	BUSH 12.5X20X27 STEPPED Z/P	1
46	CRA00574	KNIFE RESET RAM BELT BALER	1
47	CRA00621	GAS STRUT 8X18X95 650N	1
48	CSG00017	SPRING EXT 4.47X40.6X176X26	2

No.	Part No	Description	Qty
49	CZC04257	3MM CLOCK BRACKET BELT BALER	1
50	CZD00118	4MM L CUT& TIE SPACER	1
51	CZD00121	4MM L CUT & TIE SPACER Z/P	1
52	CZD02527	4MM L NET BRAKE RELEASE PART	1
53	CZF04542	6MM L NET TENSION BAR PART	2
54	CZF05135	6MM L BELT TENSIONER PART	1
55	CZF05136	6MM L NET TENSION PART	2
56	CZF05259	6MM L GAS STRUT BRACKET	1
57	CSG00229	SPRING EXT	1

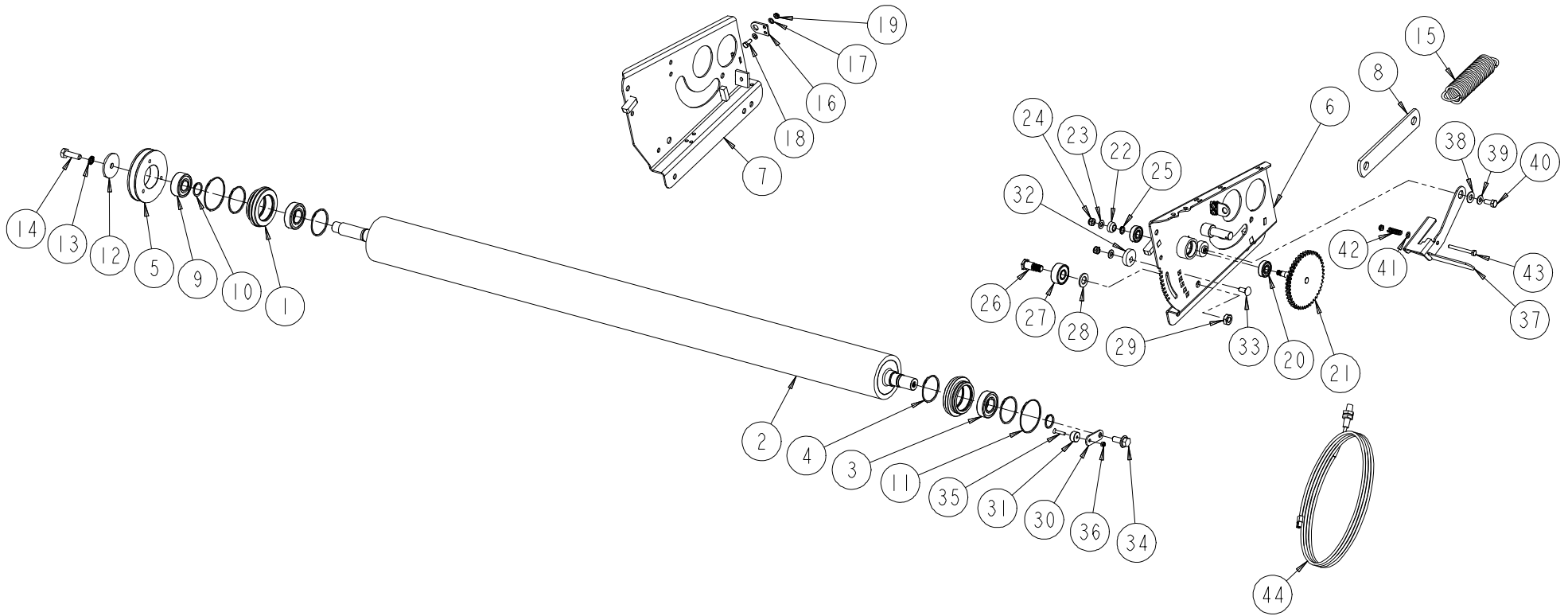
**Netter 4 (620)**



No.	Part No	Description	Qty
1	ACH00281	KNIFE HOLDER ASSY. (NET UNIT)	1
2	ACH00282	SMALL NET ROLLER GUARD	1
3	CZE00136	5MM L NET UNIT BRACKET	2
4	ARC00043	ROLLER NET UNIT SMALL ASSY.	1
5	ACH00280	NET UNIT LOCK BAR ASSY.	1
6	CFA00249	WASHER SKM8	8
7	CFA00052	SETSCREW M8X20 Z/P	8
8	CFA00147	WASHER FLAT 8MM Z/P	8
9	CFA00132	NUT M8 NYLOC Z/P	6
10	CFA00475	SPLIT PIN 5X40 Z/P	2
11	CFA00102	SETSCREW M8X25 Z/P	4
12	CFA00222	WASHER FLAT 14MM Z/P	6
13	CFA00556	SPLIT PIN 6X50 Z/P	1
14	CFA00201	WASHER FLAT 10 MM Z/P	5
15	CZB02093	1.5MM L KNIFE GUARD PEICE	1
16	CKN00013	KNIFE FOR NET UNIT VERSION 2	1
17	CZC02215	3MM L DIRT COVER FOR NET UNIT	1
18	CFA00201	WASHER FLAT 10 MM Z/P	4
19	CXR00117	ROD 10MM X 430 THREADED	2
20	CFA00123	NUT M10 NYLOC	2
21	CSG00033	SPRING COMP 2.5WDX15ODX9 COIL	2
22	CFA00199	ROLL PIN 5X25 Z/P	2
23	CBE00032	NET ROLLER COVER	1
24	ACH00369	NET RELEASE UNIT ASSY.	1
25	CEL00727	KIT MOTOR NET UNIT 12V	1
<i>KIT INCLUDES MTG-BRACKET ITEM 27 + MTG-BOLTS ITEMS 30 &amp; 31</i>			
26	CFA00499	CIRCLIP 10MM EXTERNAL	1
27	ALA00292	NET MOTOR MOUNT PLATE ASSY	1
28	CFA00789	KEY WOODRUFF 3 X 3.7	1
29	ALA00290	SPROCKET ASSY F560 NET MOTOR	1
30	CFA00396	WASHER SPRING M6 Z/P	1
31	CFA00115	SETSCREW M6X20 Z/P	1
32	CZC03292	3MM L SPROCKET RETAINER	1
33	CFA00083	WASHER FLAT 4MM Z/P	1
34	CFA00391	SETSCREW M4X16 Z/P	1
35	CFA00147	WASHER FLAT 8MM Z/P	4
36	CFA00052	SETSCREW M8X20 Z/P	2
37	CGD00181	GUARD GEAR NET MOTOR F560	1
38	CEL00252	MAGNET BRACKET ASSY ST BALER	1

No.	Part No	Description	Qty
-----	---------	-------------	-----

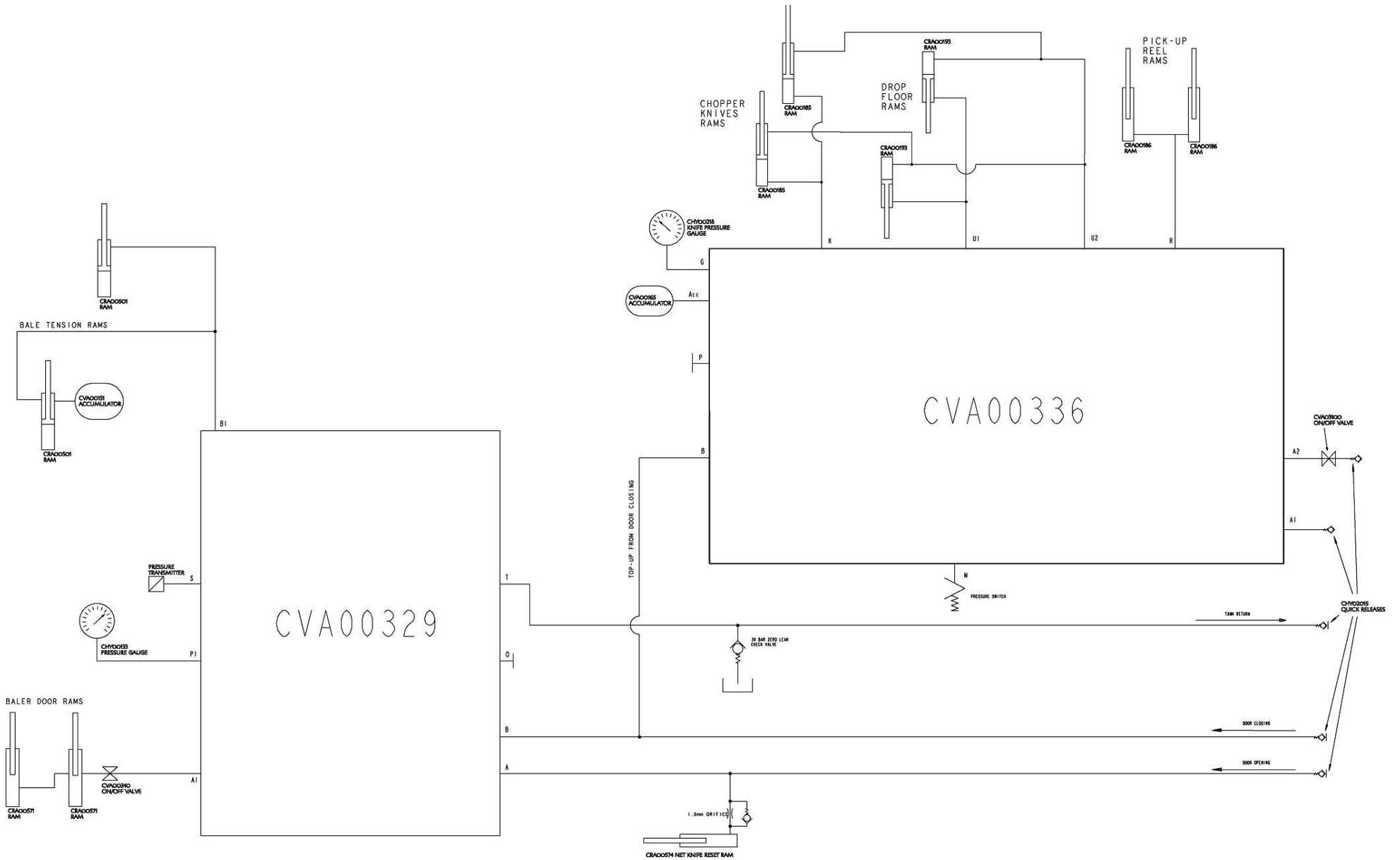
**Netter 5 [Up to Serial No 800349] (621)**



No.	Part No	Description	Qty
1	CMH00786	BUSH 52X80X25 STEPPED&CIRCLIP	2
2	ARC00044	ROLLER NET UNIT (LARGE)	1
3	CBR00009	BEARING 6205 2RS	2
4	CFA00461	CIRCLIP 52MM INTERNAL	4
5	CMH00596	V BELT PULLEY WHEEL	1
6	ACH00278	NET UNIT (LEFT) WELD ASSY.	1
7	ACH00277	NET UNIT (RIGHT) WELD ASSY.	1
9	CBR00084	BEARING SEALED SPRAG CLUTCH	1
10	CFA00001	CIRCLIP 25MM EXTERNAL Z/P	2
11	CFA00501	CIRCLIP 65MM EXTERNAL	2
12	CZD00121	4MM L CUT & TIE SPACER Z/P	1
13	CFA00137	SPRING WASHER	1
14	CFA00016	BOLT M10X35	1
16	CZC02261	3MM L NET SENSOR BRACKET	2
17	CFA00144	WASHER FLAT 6MM Z/P	6
18	CFA00454	SETSCREW M6 X 16 Z/P	3
19	CFA00131	NUT M6 NYLOC	4
20	CBR00067	BEARING 6201	2
21	ACH00279	PLATEWHEEL ASSY. NET UNIT	1
22	CMH00705	BUSH 10X25X10 NYLON	1
23	CFA00147	WASHER FLAT 8MM Z/P	2
24	CFA00132	NUT M8 NYLOC Z/P	2
25	CFA00499	CIRCLIP 10MM EXTERNAL	1
26	CMH00672	BOLT SHOULDER 3/4" H	1
27	CBR00081	BEARING CAM INA LR 5202 NPPU	1
<i>REPLACES CBR00273</i>			
28	CFA00222	WASHER FLAT 14MM Z/P	1
29	CFA00446	NUT M12 HEXAGON LOCK/HALF NUT	1
30	CZC04218	3MM L MAGNET HOLDER	1
31	CEL00059	MAGNET 20 X 10 260369	1
32	CZG02073	8MM L NET UNIT PART	1
33	CFA00506	SETSCREW M8X20 CUPHEAD SQ ZP	1
34	CFA00520	SETSCREW M10X25 FLD ZP	1
35	CFA00261	SETSCREW M5X25 CSK HEX SS	1
36	CFA00348	NUT M5 NYLOC SS	1
37	ACH00666	NETTER UNIT HANDLE ASSEMBLY	1
38	CFA00201	WASHER FLAT 10 MM Z/P	1
39	CFA00249	WASHER SKM8	1
40	CFA00052	SETSCREW M8X20 Z/P	1
41	CFA00641	WASHER FLAT 6MM NYLON	1
42	CSG00049	SPRING COMP 1.6X11.6X30X10	1
43	CFA00054	SETSCREW M6X60 Z/P	1
44	CEL00630	SENSOR NET ROTATION 3000MM	1
<i>CEL00215 UNIVERSAL MAGNETIC SENSOR IS A SUITABLE REPLACEMENT FOR THIS PART. ALL McHALE MAGNETIC SEN</i>			

No.	Part No	Description	Qty
-----	---------	-------------	-----

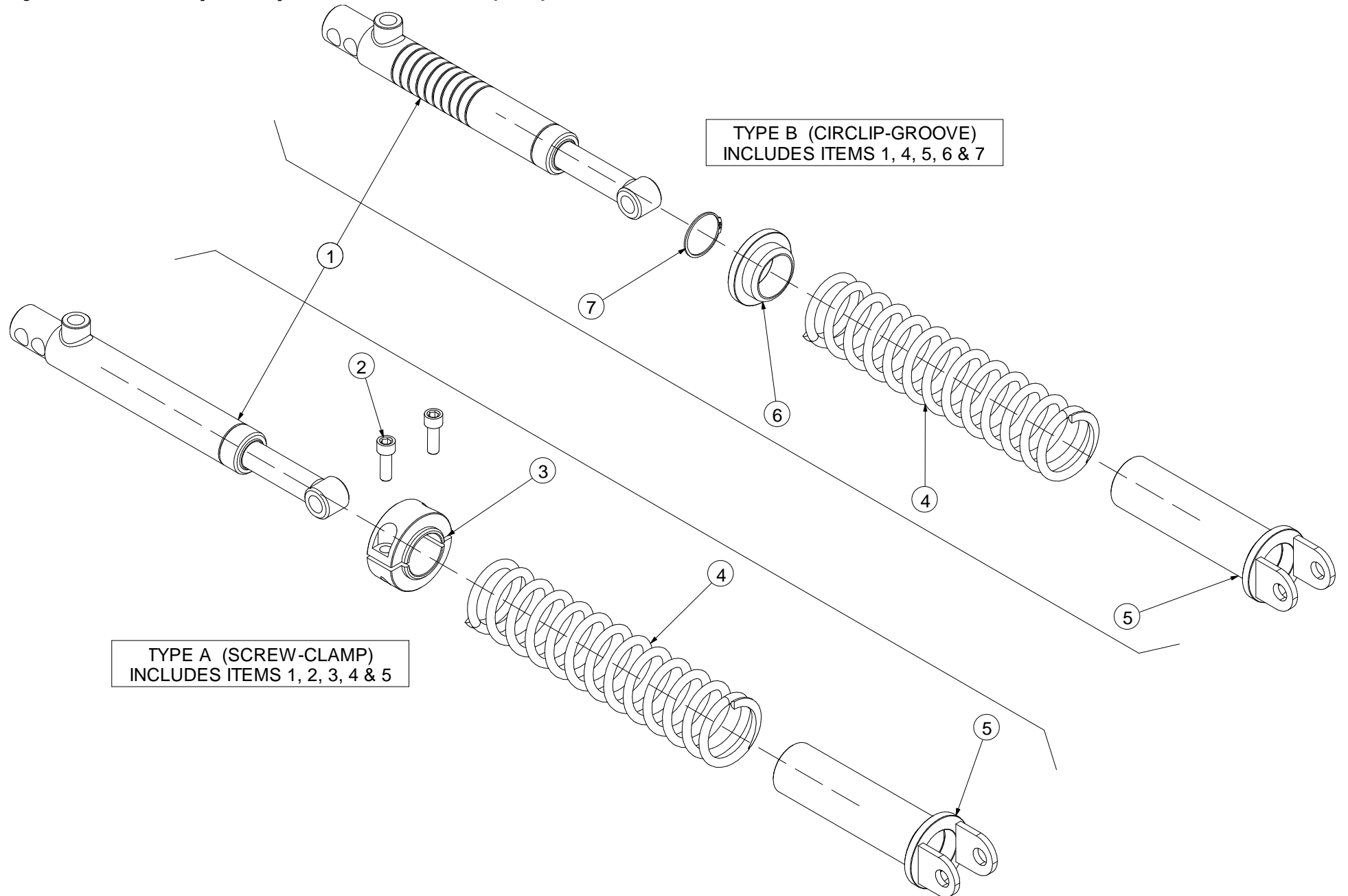
# Hydraulic layout (603)



No.	Part No	Description	Qty
1	CHY00133	GAUGE PRESSURE 63 DIA FLANGE	1
2	CHY00218	GAUGE PRESSURE 63 KNIFE DIAL	1
3	CHY02015	QR 1/2" MALE SHIELDED POPPET	5
4	CRA00185	RAM KNIFE ACTUATION BW	2
5	CRA00186	RAM PICKUP BALER	2
6	CRA00193	RAM CHOPPER FLOOR 20X40 BW	2
7	CRA00501	ADJUSTER RAM ASSY VAR BALER	2
8	CRA00571	DOOR RAM BELT BALER 35MM	2
9	CRA00574	RAM RESET V6	1
10	CVA00151	ACCUMULATOR 0.075 L 50 BAR	1
11	CVA00165	ACCUMULATOR 0.5 LITRE 25 BAR	1
12	CVA00329	DENSITY VALVE DOOR CTRL BELT BALER	1
13	CVA00336	VALVE ASSY KNIFE/FLOOR CRTL V6	1
14	CVA00340	VALVE BALL 2-WAY BANJO CONN	1
15	CVA03100	VALVE ON/OFF 3/8" BALL TYPE	1

No.	Part No	Description	Qty
-----	---------	-------------	-----

**Hydraulic rams pick-up reel CRA00186 (182)**

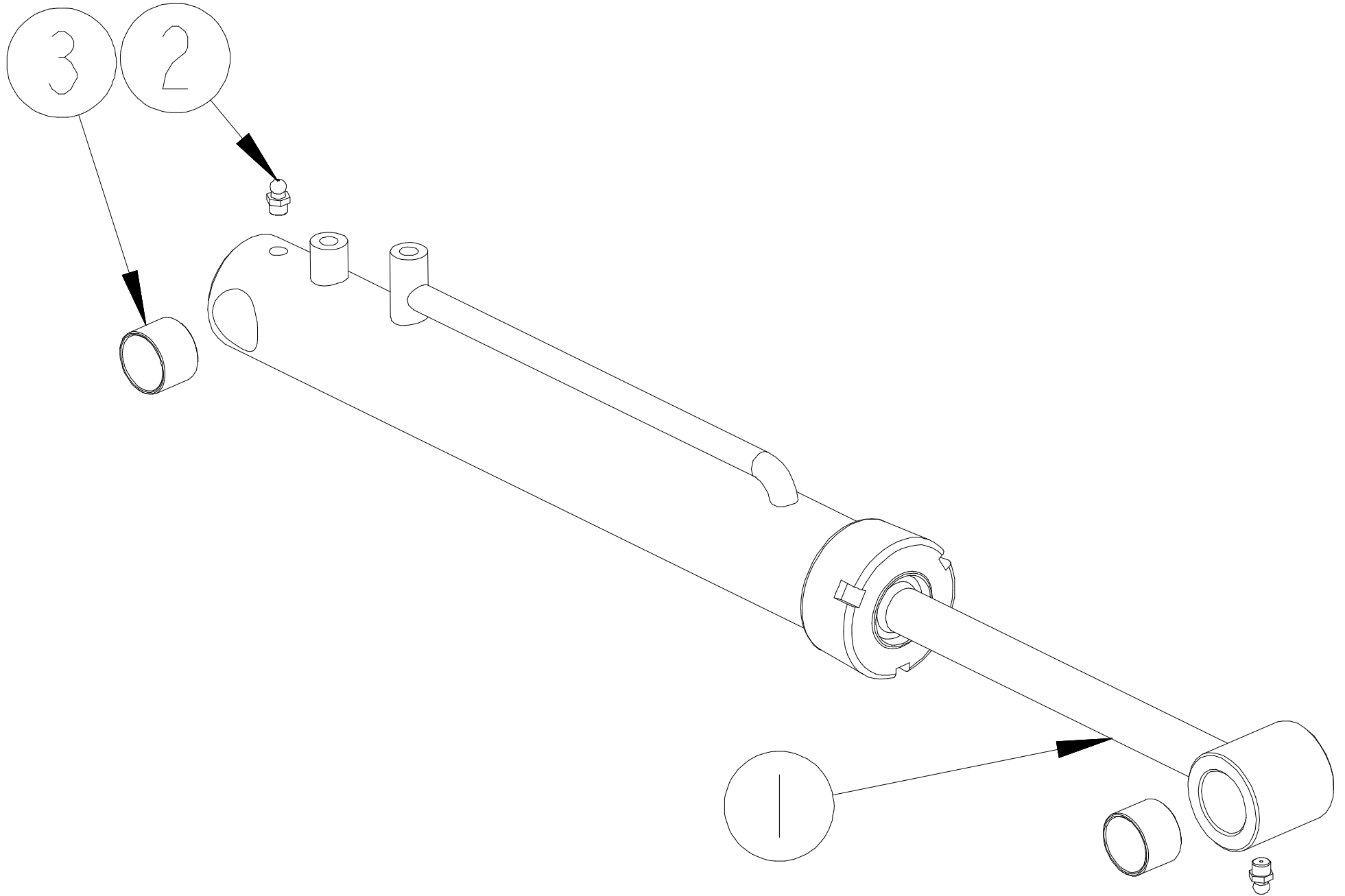




No.	Part No	Description	Qty
1	CRA00186	RAM PICKUP BALER	1
<i>COMPLETE RAM ASSEMBLY (MAY BE TYPE A OR TYPE B) CAN ALSO USE CRA00292 AS A DIRECT REPLACEMENT</i>			
1	CRA00292	RAM PICK UP REEL ( CAMLESS )	1
<i>MUST BE USED WITH CAMLESS PICK-UP (CAN ALSO BE USED ON STD PICK-UP INSTEAD OF CRA00186)</i>			
2	CFA00602	SETSCREW M10X30 SOC CAP Z/P	2
<i>RAM TYPE A ONLY</i>			
3	ACH00405	SPRING RETAINER RAM PICKUP	1
<i>RAM TYPE A ONLY</i>			
4	CSG00037	SPRING COMP 8X67X300X14	1
5	ACH00404	SPRING RETAINER PICKUP	1
6	CPT00073	SPRING RETAINER FOR CRA00186	1
<i>RAM TYPE B ONLY</i>			
7	CFA00551	CIRCLIP 40MM EXTERNAL	1
<i>RAM TYPE B ONLY</i>			

No.	Part No	Description	Qty
-----	---------	-------------	-----

**Hydraulic rams drop floor CRA00193 (184)**

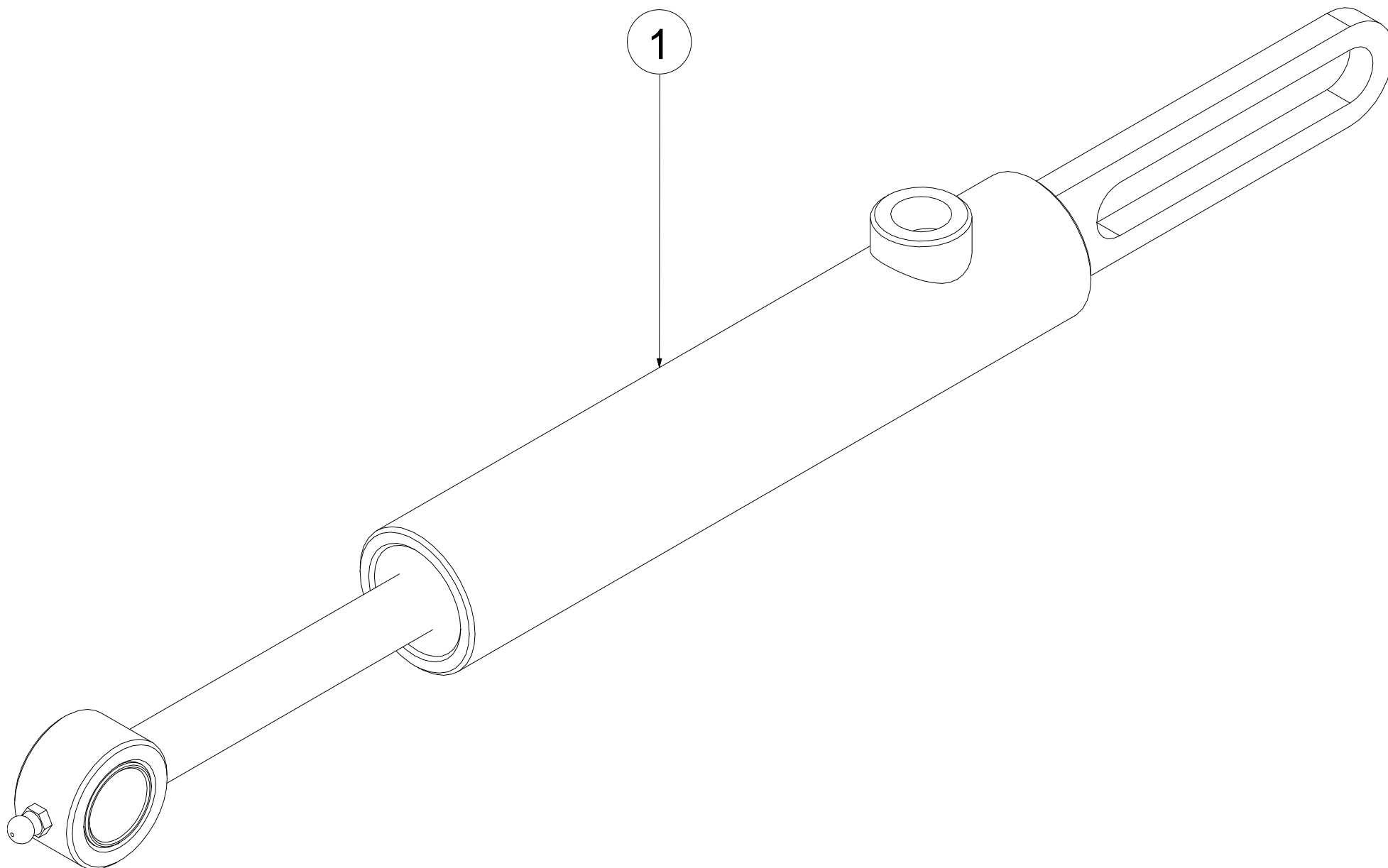


No.	Part No	Description	Qty
1	CRA00193	RAM CHOPPER FLOOR 20X40 BW	2
2	CFA00118	GREASE NIPPLE M8X1.25 STRAIGHT	2
3	CBR00101	BEARING GLACIER PM 2525 DX	4

No.	Part No	Description	Qty
-----	---------	-------------	-----

---

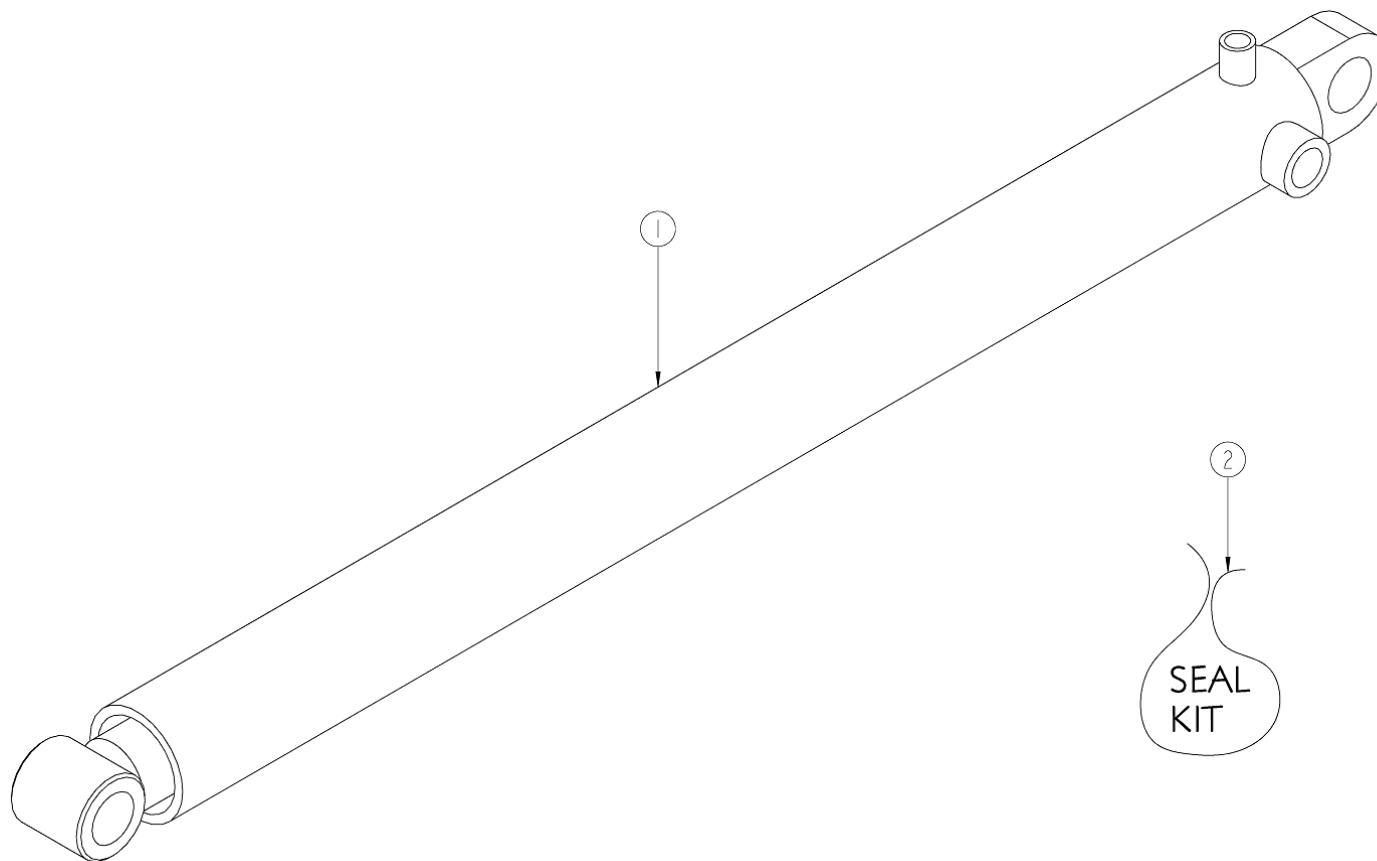
***Hydraulic rams net knife reset ram (616)***



No.	Part No	Description	Qty
1	CRA00574	NET KNIFE RESET RAM BELT BALER	1

No.	Part No	Description	Qty
-----	---------	-------------	-----

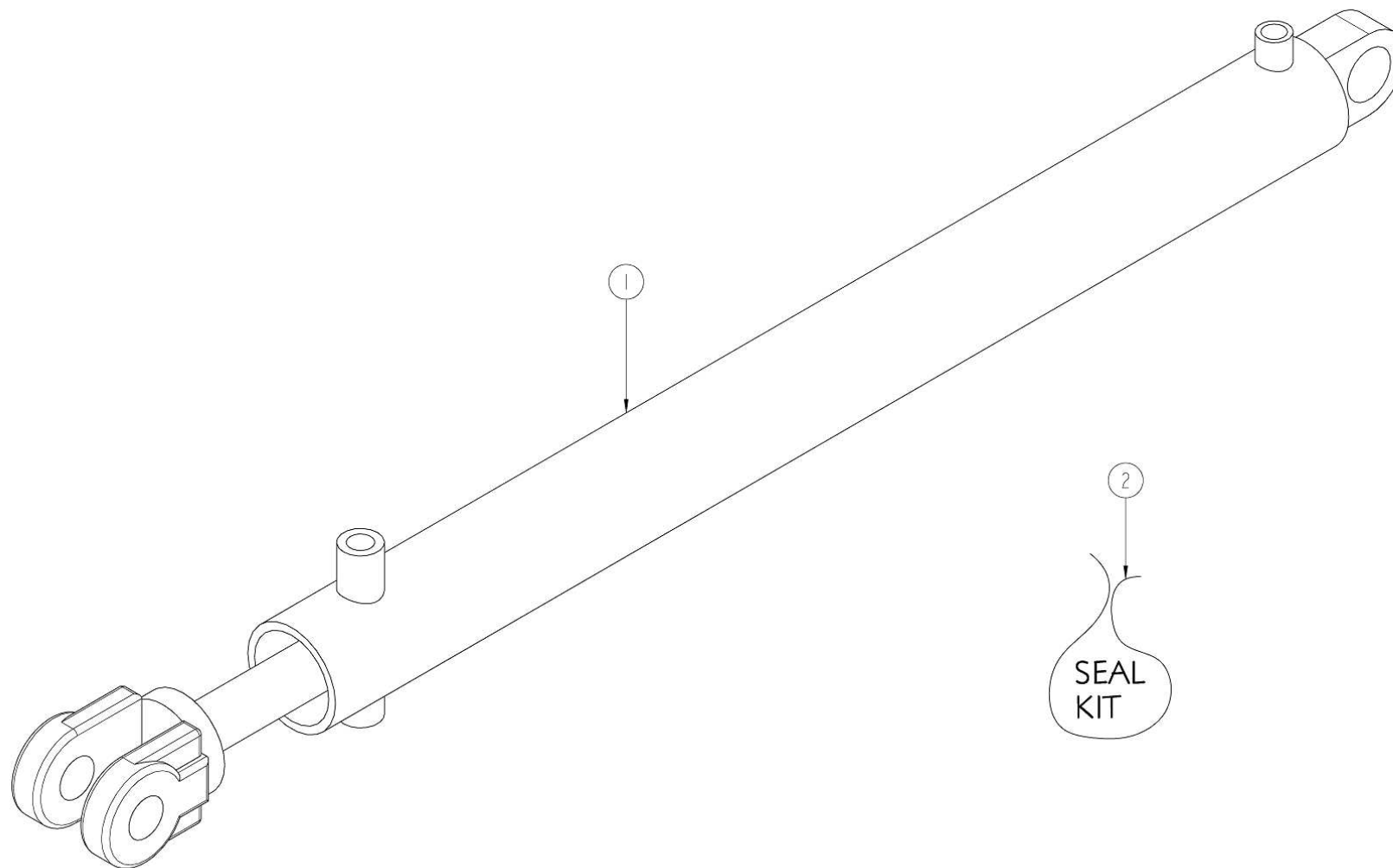
**Hydraulic rams baler door (617)**



No.	Part No	Description	Qty
1	CRA00571	BALER DOOR RAM	2
2	CSE00154	SEAL KIT FOR BELT BALER DOOR RAM CRA00571	2

No.	Part No	Description	Qty
-----	---------	-------------	-----

**Hydraulic rams bale tension (618)**

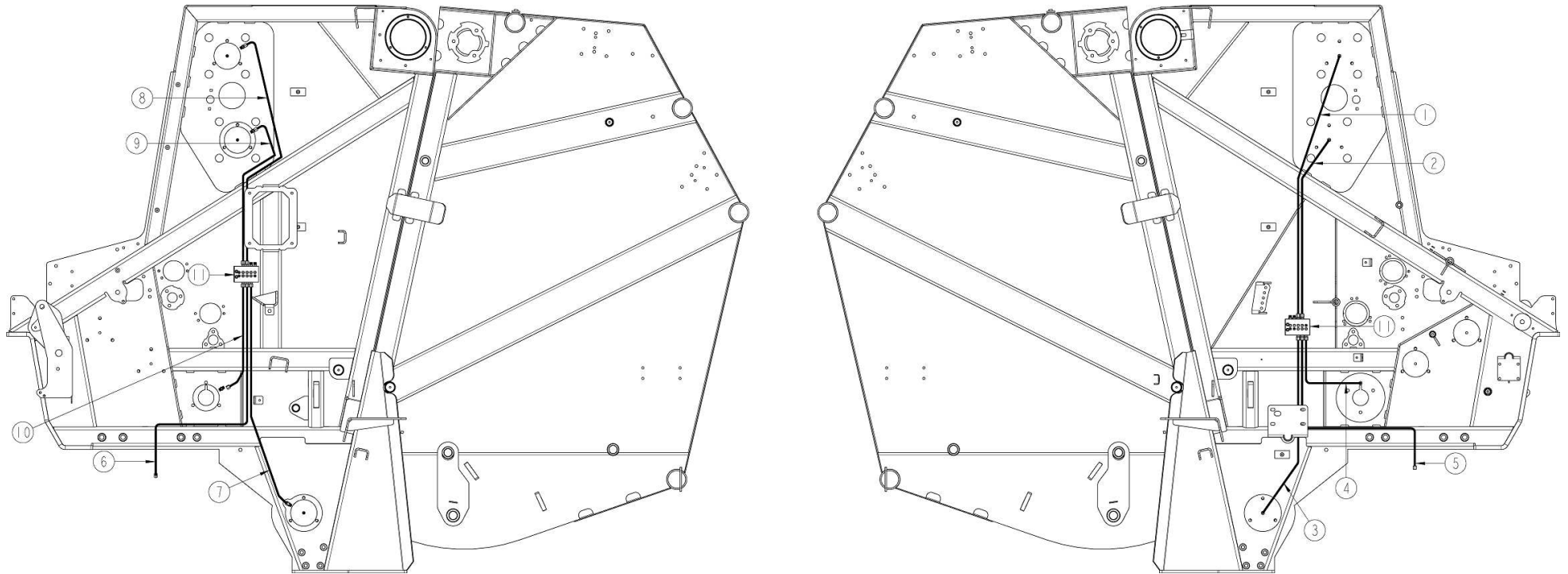




No.	Part No	Description	Qty
1	CRA00501	BALE TENSION RAM	2
2	CSE00155	SEAL KIT FOR BALE TENSION RAM CRA00501	2

No.	Part No	Description	Qty
-----	---------	-------------	-----

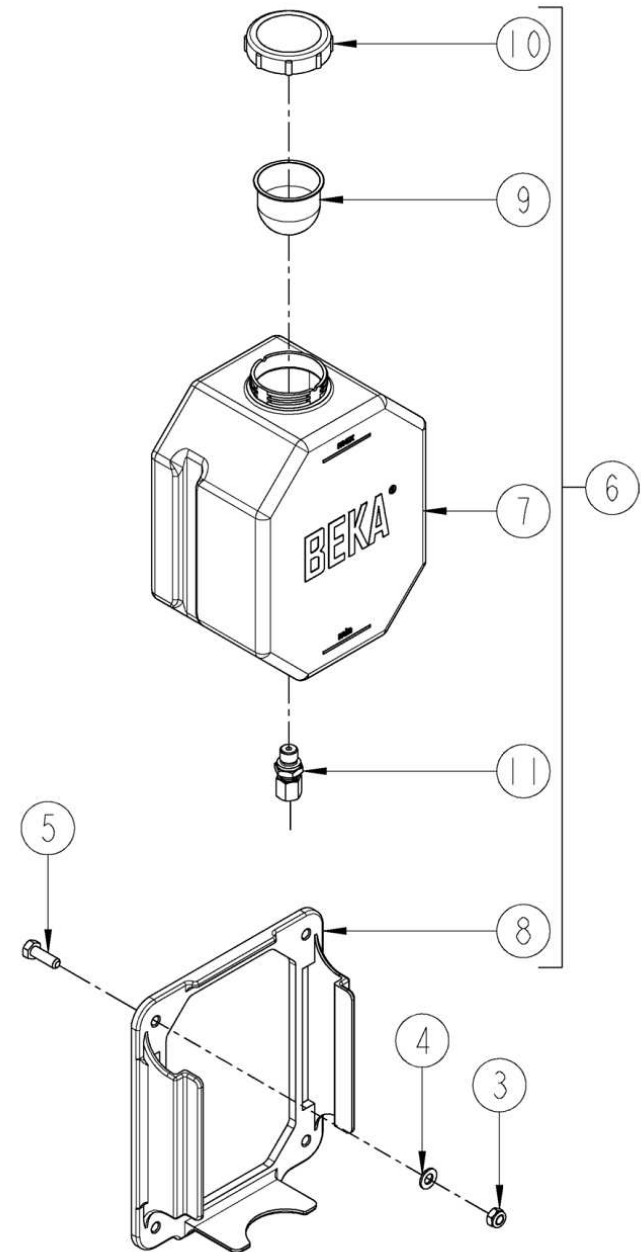
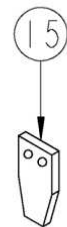
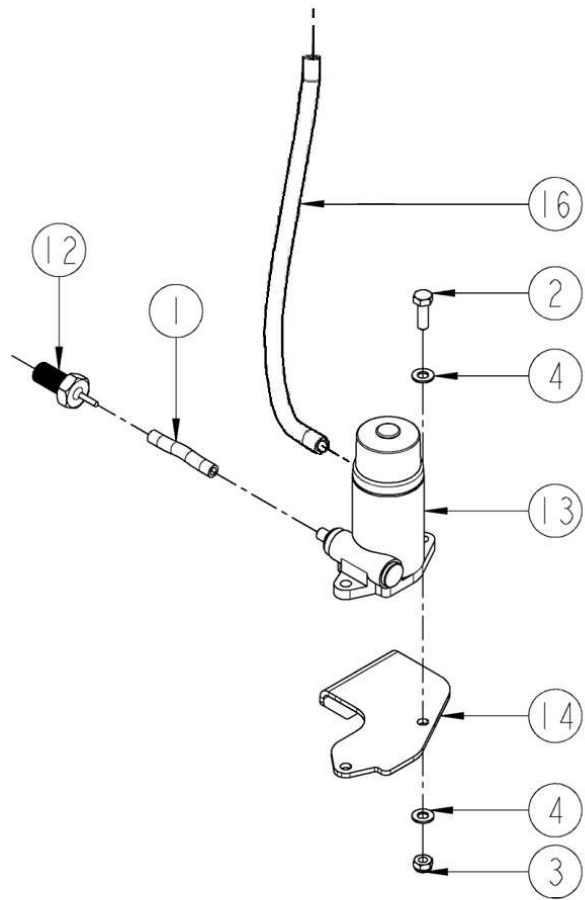
## Grease system 1 (615)



No.	Part No	Description	Qty
1	CHY02585	GREASE PIPE 1 FRONT DOOR N.D.S.	1
2	CHY02586	GREASE PIPE 2 FRONT DOOR N.D.S.	1
3	CHY02587	GREASE PIPE 3 FRONT DOOR N.D.S.	1
4	CHY02588	GREASE PIPE 5 FRONT DOOR N.D.S.	1
5	CHY02589	GREASE PIPE 4 FRONT DOOR N.D.S.	1
6	CHY02590	GREASE PIPE 4 FRONT DOOR D.S.	1
7	CHY02591	GREASE PIPE 3 FRONT DOOR D.S.	1
8	CHY02592	GREASE PIPE 1 FRONT DOOR D.S.	1
9	CHY02593	GREASE PIPE 2 FRONT DOOR D.S.	1
10	CHY02594	GREASE PIPE 5 FRONT DOOR D.S.	1
11	CVA00567	GREASE BLOCK 10 WAY (MANUAL)	2

No.	Part No	Description	Qty
-----	---------	-------------	-----

**Oil system 1 (619)**



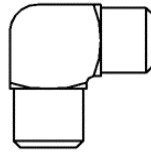
No.	Part No	Description	Qty
1	CBE00172	BEKA OIL PUMP DRIVE LINE PIPE	1
1a	CFA00644	JUBILEE CLIP 13MM-20MM	2
2	CFA00102	SETSCREW M8X25 Z/P	4
3	CFA00132	NUT M8 NYLOC Z/P	8
4	CFA00147	WASHER FLAT 8MM Z/P	12
5	CFA00407	BOLT M8X25 Z/P	4
6	CHY00868	BEKA OIL TANK ASSY	1
7	CHY00869	BEKA OIL TANK	1
8	CHY00870	BEKA OIL TANK BRACKET	1
9	CHY00871	BEKA OIL TANK FILTER	1
10	CHY00872	BEKA OIL TANK CAP	1
11	CHY00873	BEKA OIL TANK FITTING	1
12	CVA00563	BEKA OIL PUMP DRIVE	1
13	CVA00659	BEKA OIL PUMP ( 8:1 RATIO )	1
		<i>REPLACES CVA00564</i>	
13a	CBC00024	SCREW CAP BLACK FOR CVA00564	1
		<i>REPLACEMENT BLACK SCREW CAP FOR TOP OF BEKA OIL PUMP</i>	
13b	CVA10044	THREADED ADJUSTER BEKA OIL PUMP	1
		<i>REPLACEMENT THREADED ADJUSTER FOR BEKA OIL PUMP</i>	
13c	CVA00573	BEKA OIL PUMP GEARBOX	1
		<i>REPLACEMENT BASE UNIT FOR BOTTOM OF BEKA OIL PUMP</i>	
13d	CVA00574	BEKA OIL PUMP SPUR GEAR	1
		<i>REPLACEMENT SPUR GEAR FOR BEKA OIL PUMP</i>	
14	CZD04357	4MM OIL PUMP BRACKET BELT BALER	1
15	CHY01061	OIL WICK KIT FULL BALER RANGE	1
		<i>CONTAINS 4 SEPARATE WICKS FOR ANY MCHALE BALER MODEL (REPLACES CHY00609 SINGLE WICK)</i>	
16	CHY00892	TUBE 10X8X300 OILER TANK	1
16a	CVA10046	PUSH FITTING 10 G 1/8 BEKA OIL PUMP	1
17	CHY02881	POLYAMIDE 4MM FLEXI OILER PIPE	1
17a	CVA10045	PUSH FITTING 4 G 1/8 BEKA OIL PUMP	1

No.	Part No	Description	Qty
-----	---------	-------------	-----

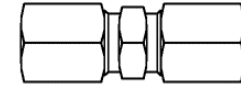
**Oil & Grease fittings (553)**



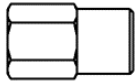
12



13



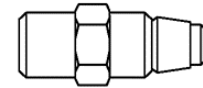
14



15



16



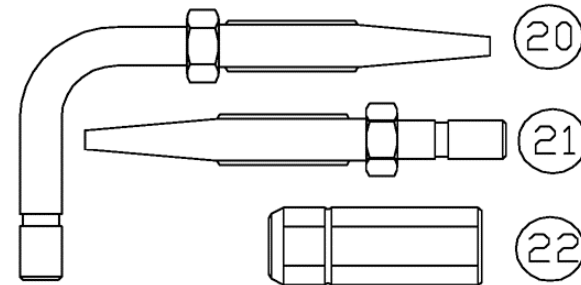
17



18



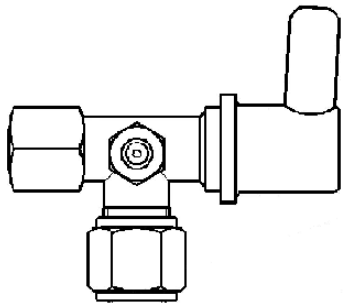
19



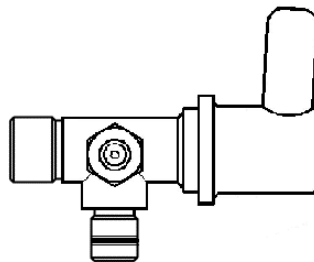
20

21

22



23




24

No.	Part No	Description	Qty
12	CFA00549	6LL FITTING STRAIGHT	1
13	CFA00543	6LL FITTING ELBOW	1
14	CFA00681	6LL UNION (COMPLETE)	1
15	CFA00682	COMPRESSION NUT	1
16	CFA00544	6LL COUPLING NUT	1
17	CFA00648	CHECK VALVE	1
18	CFA00683	BRASS OLIVE	1
19	CFA00545	STEEL OLIVE	1
20	CHY02323	HOSE STUD ELBOW	1
21	CHY02324	HOSE STUD STRAIGHT	1
22	CHY02325	THREADED SLEEVE	1
23	CHY02612	VALVE SVTE MANUAL GREASE NIPPLE	1
24	CHY02986	VALVE SVTS-350-R1/8 MANUAL GREASE NIPPLE	1

No.	Part No	Description	Qty
-----	---------	-------------	-----

# Decals 1 (628)

 <p><b>Warning!</b></p>	<p><b>en</b></p> <ol style="list-style-type: none"> <li>1. Keep all guards in place.</li> <li>2. Do not engage and turn off all engine and/or motor power before servicing or unblocking machine.</li> <li>3. Keep hands, feet and clothing away from power-driven parts.</li> </ol>
	<p><b>de</b></p> <ol style="list-style-type: none"> <li>1. Halten Sie allen Schutz im Platz.</li> <li>2. Schalten Sie ab und drehen Sie weg allen Maschinen-und/oder Bewegungsstrom, bevor Sie Maschine instandhalten oder entblocken.</li> <li>3. Halten Sie Hände, Füße und die Kleidung, die von den motorisierten Teilen weg ist.</li> </ol>
	<p><b>fr</b></p> <ol style="list-style-type: none"> <li>1. Gardez toutes les gardees en place.</li> <li>2. De s'engagez et coupez tout le courant de moteur et/ou de moteur avant d'entretenir ou degager la machine.</li> <li>3. Gardez les mains, les pieds et l'habillement parti des pieces actionnees par l'electricite.</li> </ol>
	<p><b>nl</b></p> <ol style="list-style-type: none"> <li>1. Houd op zijn plaats alle wachten.</li> <li>2. Maak en sluit al motor en/of motorstroom toe af alvorens of deblokkerend machine te onderhouden.</li> <li>3. Houd handen, voeten en kleding vanaf delen met motor.</li> </ol>
	<p><b>no</b></p> <ol style="list-style-type: none"> <li>1. Behold alle beskyttere på plass.</li> <li>2. Kople fra og skru av all maskin og/eller motor kraft før betjening eller avblokkeringsav maskin.</li> <li>3. Behold hender, føter og klæing borte fra kraftkjerte deler.</li> </ol>
	<p><b>sv</b></p> <ol style="list-style-type: none"> <li>1. Alla skydd ska vara monterade vid drift.</li> <li>2. Koppla ur och säng av motorn före service eller rengöring av maskin.</li> <li>3. Håll händer, fötter och kläder borta från kraftöverföringen och andra rörliga delar.</li> </ol> <p>CST00134</p>

1



2



3

 <p><b>DANGER</b></p>	<p>ATTENTION! ELEMENTS ROTATIFS. DANGER PAR SUITE DE PROJECTION CE CORPS ETRANGERS ELONGNER TOUTE PERSONNE DE LA ZONE DANGEREUSE.</p>
	<p>WARNING! ROTATING ELEMENTS. DANGER DUE TO PROJECTION OF FOREIGN OBJECTS. KEEP ALL PERSONS AWAY FROM THE DANGER AREA.</p>
	<p>VORSICHT! NACHLAUFENDE TEILE. GEFAHR DURCH FORTGESCHLEUDERTE FREMDKÖRPER. PERSONEN AUS DEM GEFAHRENBEREICH VERWEISEN.</p>
	<p>¡ATENCIÓN! ELEMENTOS ROTATIVOS. PELIGRO DEBIDO A LA PROYECCION DE CUERPOS EXTRAÑOS. ALEJAR A TODA PERSONA DE LA ZONA PELIGROSA.</p> <p>CST 00014</p>

4



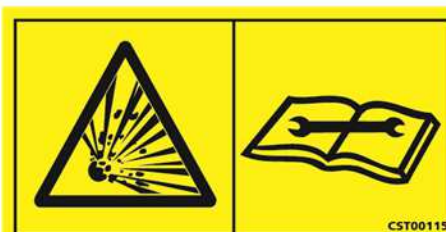
5



6



7



8



9



No.	Part No	Description	Qty
1	CST00134	DECAL FUSION GENERIC WARNINGS	1
2	CST00108	DECAL ROTATING PCK-UP REEL 246	2
3	CST00110	DECAL READ MANUAL (HORIZONTAL)	1
4	CST00014	DECAL WARNING!ROTATING ELEMENT	1
5	CST00107	DECAL NO STANDING ON PLATFORM	1
6	CST00111	DECAL HYD WARNING (HORIZONTAL)	1
7	CST00118	DECAL KNIFE LOCK POSITION	1
8	CST00115	DECAL ACCUMULATOR PRESSURE	1
9	CST00056	DECAL ACCUMULATOR WARNING	2

No.	Part No	Description	Qty
-----	---------	-------------	-----

**Decals 2 (629)**



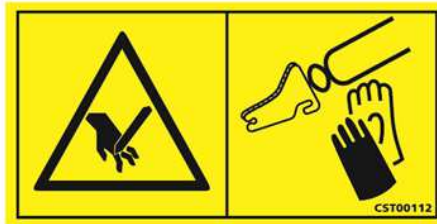
1



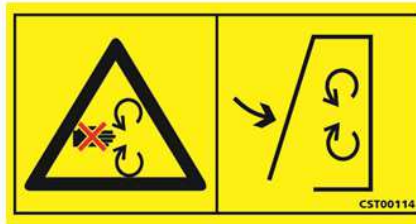
2



3



4



5



6



7



8

No.	Part No	Description	Qty
1	CST00120	DECAL CRUSHED HAND (ABOVE)	4
2	CST00113	DECAL REMOVE KEY (HORIZONTAL)	1
3	CST00121	DECAL OIL PRESSURE/PTO RPM	1
4	CST00112	DECAL WARNING!SHARP KNIVES	1
5	CST00114	DECAL CLOSE PROTECTIVE COVERS	2
6	CST00020	DECAL CHECK WHEEL NUTS MCH-003	2
7	CST00019	DECAL CRUSHED HAND MCH-005	4
8	CST00646	DECAL DOOR LOCK F560	1

No.	Part No	Description	Qty
-----	---------	-------------	-----

**Decals 3 (630)**



1



2



3



4



5



6



7



8

No.	Part No	Description	Qty
1	CST00141	DECAL DRAWBAR SWING BALER 210	1
2	CST00140	DECAL MAN CAUGHT IN DOOR 209	2
3	CST00146	DECAL MAN BEHIND BALER DOOR208	2
4	CST00144	DECAL HAND ENTRAPMENT 231	1
5	CST00142	DECAL HAND CHAIN SPROCKET 212	1
6	CST00006	DECAL FREEFLOW RET TO TANK	1
7	CST00017	DECAL ROTATING ELEMENTS 214	2
8	CST00143	DECAL MAN WRAPPED IN SHAFT 220	1

No.	Part No	Description	Qty
-----	---------	-------------	-----