

McHale *ENGINEERING LTD.*



F540 Baler Spare Parts Book Issue 1

McHale Engineering Limited,
Castlebar Rd, Ballinrobe,
Co. Mayo, Ireland.

Tel: +353 94 9520300

Fax: +353 94 9520356

Email: sales@mchale.net



I.SI EN ISO 9002

This page is intentionally left blank.

Introduction

The **McHale FS40** round baler which you have purchased has been developed through years of constant research and development. Given proper care and attention the **FS40** will give years of reliable and dependable performance. However it is important that the operators manual is read and fully understood to achieve this, **before** the machine is operated. As part of this philosophy it is vital to use only **genuine McHale** replacement parts, as these are manufactured to the same high standard as the original machine. These may be obtained through your **McHale** dealer.

If any part of this manual is not fully understood please contact your **McHale** dealer who will be able to answer any questions or queries that you may have. It is important to quote the machine serial number when requiring spare parts or technical assistance. Space is provided below to record the machine details:

Serial number:	
Year of manufacture:	
Date of delivery:	

If you require further copies of this spare parts manual
please quote part number CLT00172.

Note: Due to a policy of continuous product development and improvement, *McHale Engineering Ltd.* reserve the right to alter machine specifications without prior notice.

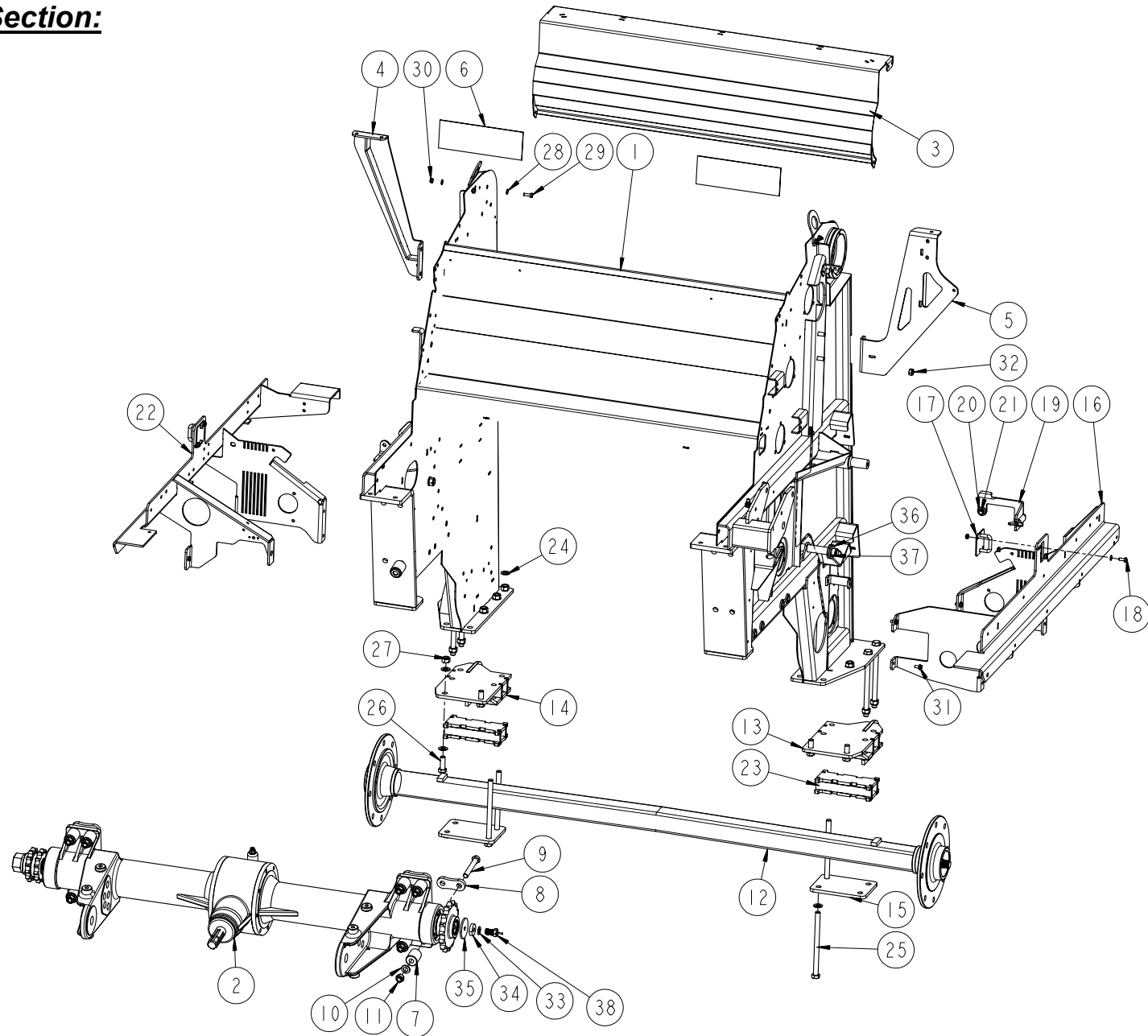
Contents

Title	Page	Title	Page
Chassis Section.	6	Rear Door Drive Side, Part 1.	38
Steps & Platform.	8	Rear Door Drive Side, Part 2.	40
Drawbar.	10	Rear Door Non-Drive Side.	42
Screw Type Jack Option.	12	Front Door Non-Drive Side, Part 1.	44
Gearbox, Part 1.	14	Front Door Non-Drive Side, Part 2.	46
Gearbox, Part 2.	16	Front Door Drive Side, Part 1.	48
PTO Shaft (Bondioli & Pavesi).	18	Front Door Drive Side, Part 2.	50
Bale Dropper.	20	Front Door Drive Side, Part 3.	52
Axle.	22	Baling Chamber Roller Bearings.	54
Wheel Options.	24	Baling Chamber Rollers, Part 1.	56
Pickup Reel, Part 1.	26	Baling Chamber Rollers, Part 2.	58
Pickup Reel, Part 2.	28	Chains & Belts.	60
Pickup Reel, Part 3.	30	Netbox	62
Pickup Reel, Part 4.	32	Netter Unit Part 1.	64
Pickup Reel, Part 5.	34	Netter Unit Part 2.	66
Drop Floor.	36	Net Tensioner.	68

Title	Page
Panels.	70
Hydraulic Valves Fittings	72
Hydraulic Valve Assemblies Part 1.	74
Hydraulic Valve Assemblies Part 2.	76
Hydraulic System, Fittings.	78
Hydraulic System, Hoses.	80
Hydraulic System, Rams.	82
Oil & Greaser System.	86
Oil System.	94
Decals.	96
Electrical Control.	100
Lighting Kit.	102
OPTIONS:	
Combi-Hitch Option.	104
Index.	106
Notes.	113

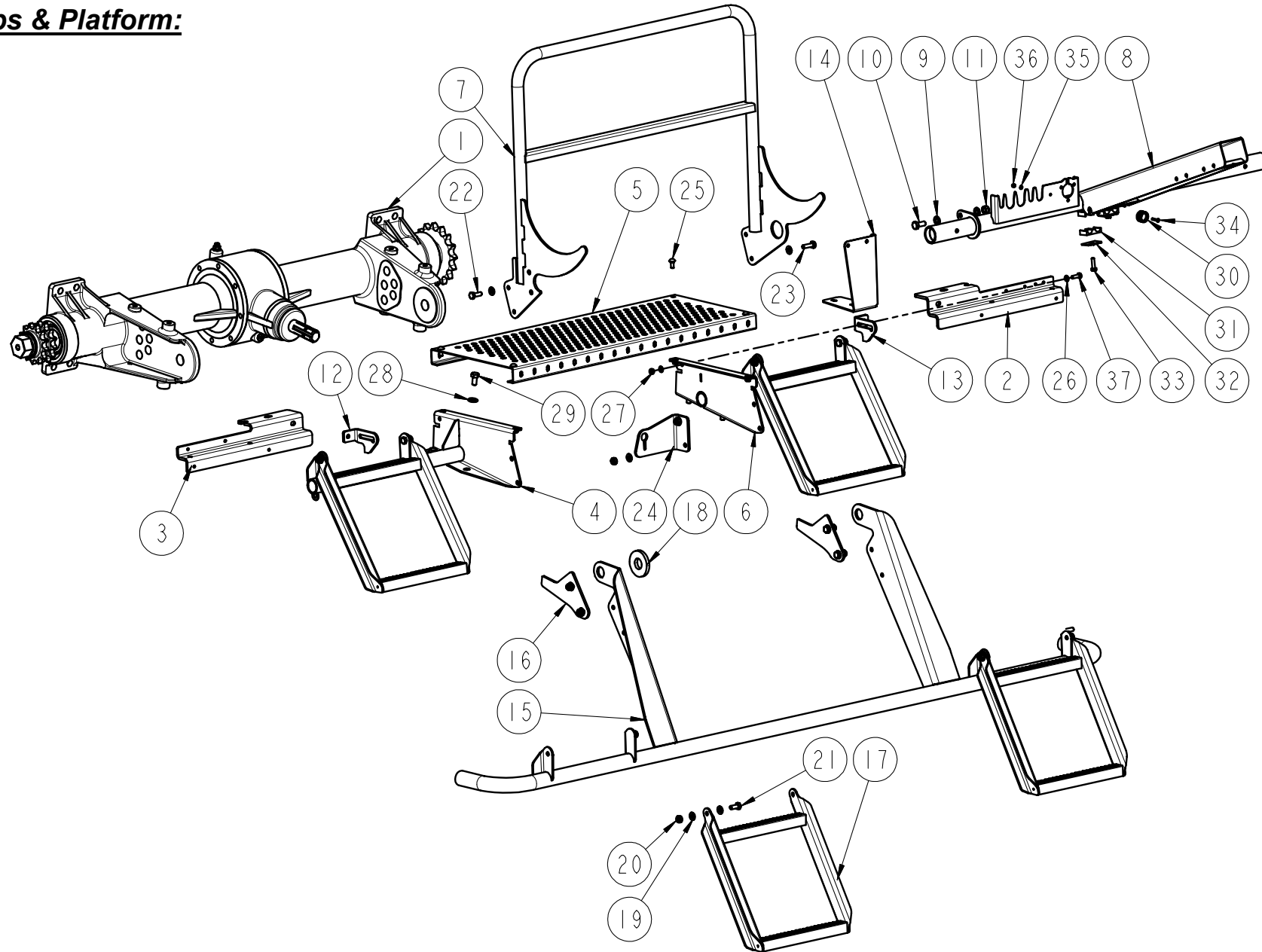
Note: Parts described as left and right are done so according to the direction that the machine normally travels in. For example, the side of the machine, where the pressure clock is located is termed as the right hand side (R.H.S).

Chassis Section:



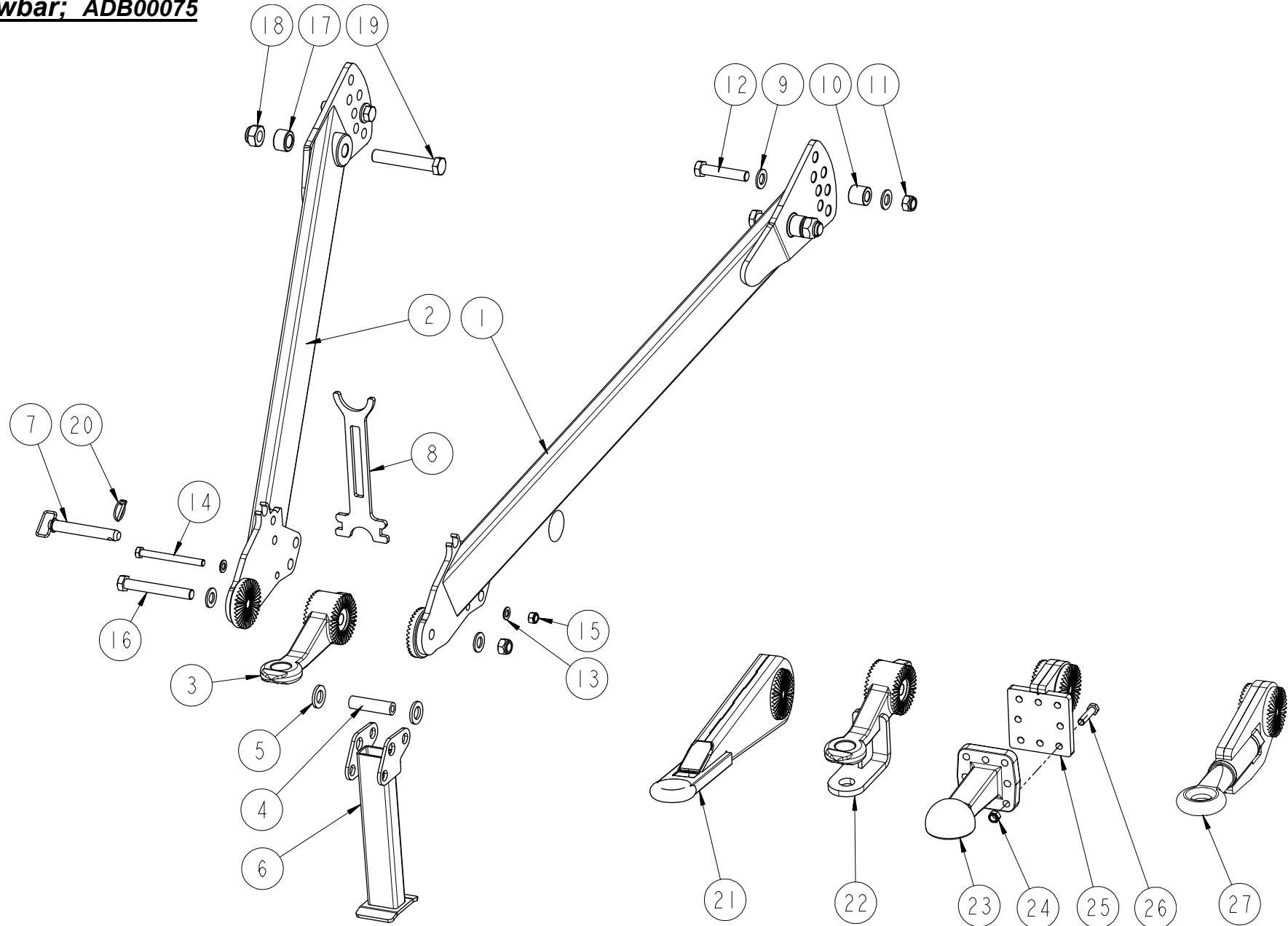
Item	Part Code	Description	Notes	Qty
1	ACH00916	BALER FRONT SECTION WELD ASSY		1
2	CMT00157	GEAR BOX LIGHT DUTY BALER		1
3	ARC00158	ROLLER GUARD ASSY ST BALER		1
4	ALA00193	RIGHT PANEL BRACKET ASSY		1
5	ALA00194	LEFT PANEL BRACKET ASSY		1
6	CBE00165	RUBBER STRIP 300X100		2
7	CMH00976	BUSH 16X40X50		8
8	CZI02044	12MM L CHASSIS PART FUSION		4
9	CFA02213	BOLT M16X110 X10.9 FINE THREAD		8
10	CFA00782	DIN6916 WASH M16 GRD295HV		8
11	CFA00414	NUT M16X1.5 NYLOC FINE THREAD		8
12	CAX00063	AXLE ASSY ST BALER		1
13	ACH00567	SPACER ASSY LEFT ST		1
14	ACH00568	SPACER ASSY RIGHT ST		1
15	CZH02768	10MM L CHASSIS PART ST BALER		2
16	CGD00086	DOOR STRIKER DS ASSY		1
17	ALA00138	PANEL LOCK ASSY		1
18	CFA00052	SETSCREW M8X20 Z/P		2
19	ALA00166	SPARE KNIFE RETAINING BRCKT		1
20	CMH00742	BUSH 8X20X13 Z/P		1
21	CFA00055	BOLT M8X35 Z/P		1
22	CGD00087	DOOR STRIKER ND ASSY ST BALER		1
23	ACH00668	AXLE SPACER PLATE AS		2
24	CFA00140	WASHER FLAT 16MM Z/P		25
25	CFA00673	BOLT M16X230 ZP		8
26	CFA00282	BOLT M16X45		4
27	CFA00128	NUT M16 NYLOC		13
28	CFA00147	WASHER FLAT 8MM Z/P		12
29	CFA00102	SETSCREW M8X25 Z/P		4
30	CFA00132	NUT M8 NYLOC Z/P		12
31	CFA00519	SETSCREW M8X16 FLD ZP		7
32	CFA00124	NUT M12 NYLOC		1
33	CFA00250	WASHER SKM12		2
34	CZH02119	10MM L WASHER 10X40X12		1
35	CZC04301	3MM L GEAR BOX WASHER		1
36	CFA00135	WASHER FLAT 1" Z/P		3
37	CFA00013	SPLIT PIN 5X50 Z/P		1
38	CVA00563	OIL PUMP DRIVE		1

Steps & Platform:



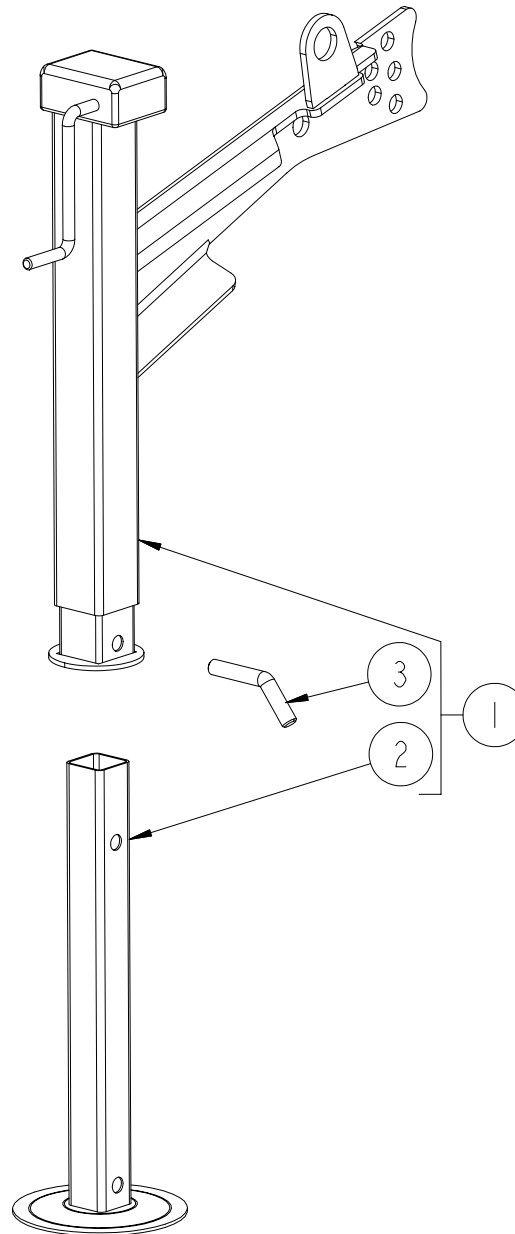
Item	Part Code	Description	Notes	Qty
1	CMT00157	GEAR BOX		1
2	ACH02247	PANEL MOUNT ASSY (LEFT)		1
3	CZF04446	6MM L CHASSIS PART ST BALER		1
4	ALA00156	STEP WELD ASSY (RIGH		1
5	CTP00278	PLATFROM BALER (SHOR		1
6	ALA00157	STEP WELD ASSY (LEFT)		1
7	ACH02249	PLATFROM GUARD RAIL		1
8	ACH02251	PIVOT TYPE HOSE HOLDER		1
9	CFA00138	WASHER FLAT 12MM Z/P		2
10	CFA00032	SETSCREW M12X30 Z/P		1
11	CFA00124	NUT M12 NYLOC		1
12	CZF04465	6MM L PLATFORM BRACKET		1
13	CZF04466	6MM L PLATFORM BRACKET		1
14	CZC02298	3MM L BEKA PUMP BRAC		1
15	CGD00105	GUARD FRONT BALER WE		1
16	CZF04636	6MM L FRONT GUARD PART		2
17	ART00091	PIVOT STEP ASSEMBLY		4
18	CZH04293	10MM L WASHER 30X70X		1
19	CFA00201	WASHER FLAT 10 MM Z/P		27
20	CFA00123	NUT M10 NYLOC		14
21	CFA00024	SETSCREW M10X25 Z/P		8
22	CFA00025	SETSCREW M10X30		2
23	CFA00016	BOLT M10X35		2
24	CZF03215	6MM L CHAIN BRACKET ST BALER		1
25	CFA00506	SETSCREW M8X20 CUPHEAD SQ ZP		4
26	CFA00147	WASHER FLAT 8MM Z/P		8
27	CFA00132	NUT M8 NYLOC Z/P		6
28	CFA00250	WASHER SKM12		5
29	CFA00031	SETSCREW M12X25 Z/P		4
30	CMH00873	BLANKING CAP QR ZP 1/2" FEMALE		1
31	CFA00370	18MM HOSE CLAMP		4
32	CFA00183	HOSE CLAMP PLATE		2
33	CFA00316	BOLT M8X30 Z/P		2
34	CFA00261	SETSCREW M5X25 CSK HEX SS		1
35	CFA00337	WASHER FLAT 5MM Z/P		1
36	CFA00321	NUT M5 NYLOC		1
37	CFA00102	SETSCREW M8X25 Z/P		2

Drawbar; ADB00075



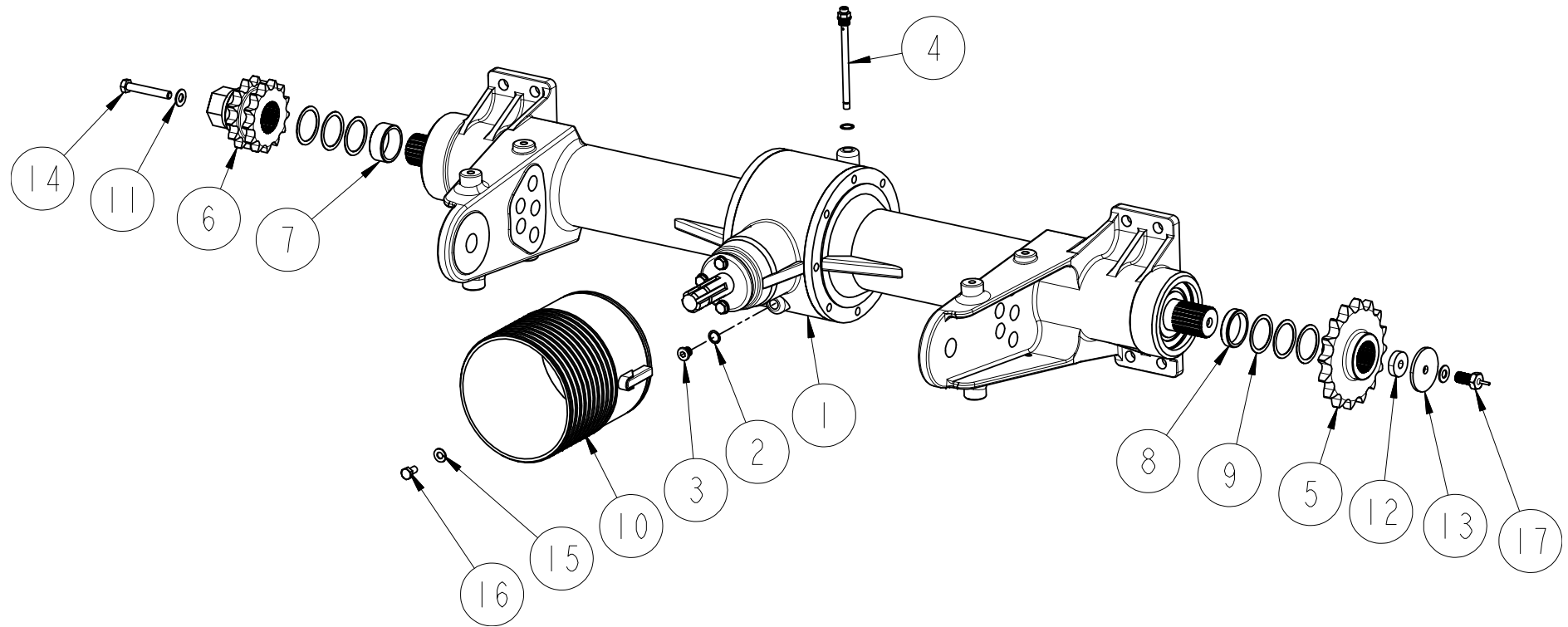
Item	Part Code	Description	Notes	Qty
1	ADB00076	DRABAR FRAME WELD AS		1
2	ADB00077	DRAWBAR FRAME WELD A		1
3	CTP00092	HITCH EYE ST BALER		1
4	CXT00419	C030X7X112		1
5	CZF04263	6MM L DRAWBAR WASHER Z/P		2
6	ADB00068	DRAWBAR STAND F550		1
7	CTP00265	PIN HITCH 1" F550 DRAWBAR		1
8	CZH02914	10MM L PTO STAND PAR		1
9	CFA00135	WASHER FLAT 1" Z/P		6
10	CMH01005	BUSH 44.45X20X40		2
11	CFA00419	NUT M24X2 NYLOC FINE THREAD		3
12	CFA00748	BOLT M24X120 METRIC FINE		2
13	CFA00140	WASHER FLAT 16MM Z/P		2
14	CFA00061	BOLT M16X170 Z/P		1
15	CFA00128	NUT M16 NYLOC		1
16	CFA00679	BOLT M24X180 FINE THREAD		1
17	CMH00205	BUSH 30X50X32		2
18	CFA00420	NUT M30X2 NYLOC FINE THREAD		2
19	CFA00712	M30X170 FINE THREAD		2
20	CFA00202	LINCH PIN 6MM		1
21	ADB00083	HITCH (NORWAY) F5		1
22	CTP00274	HITCH AMERICAN F5		1
23	CTP00292	COUPLING HEAD 80-3192 8-HOLE		1
24	CFA00386	NUT M16X1.5 NYLOC FINE THREAD		6
25	ADB00095	COUPLING ADAPTOR		1
26	CFA02214	BOLT M16X80X10.9 FT ZP		6
27	ADB00103	HITCH EYE SWIVEL		1

Screw Type Jack Option:



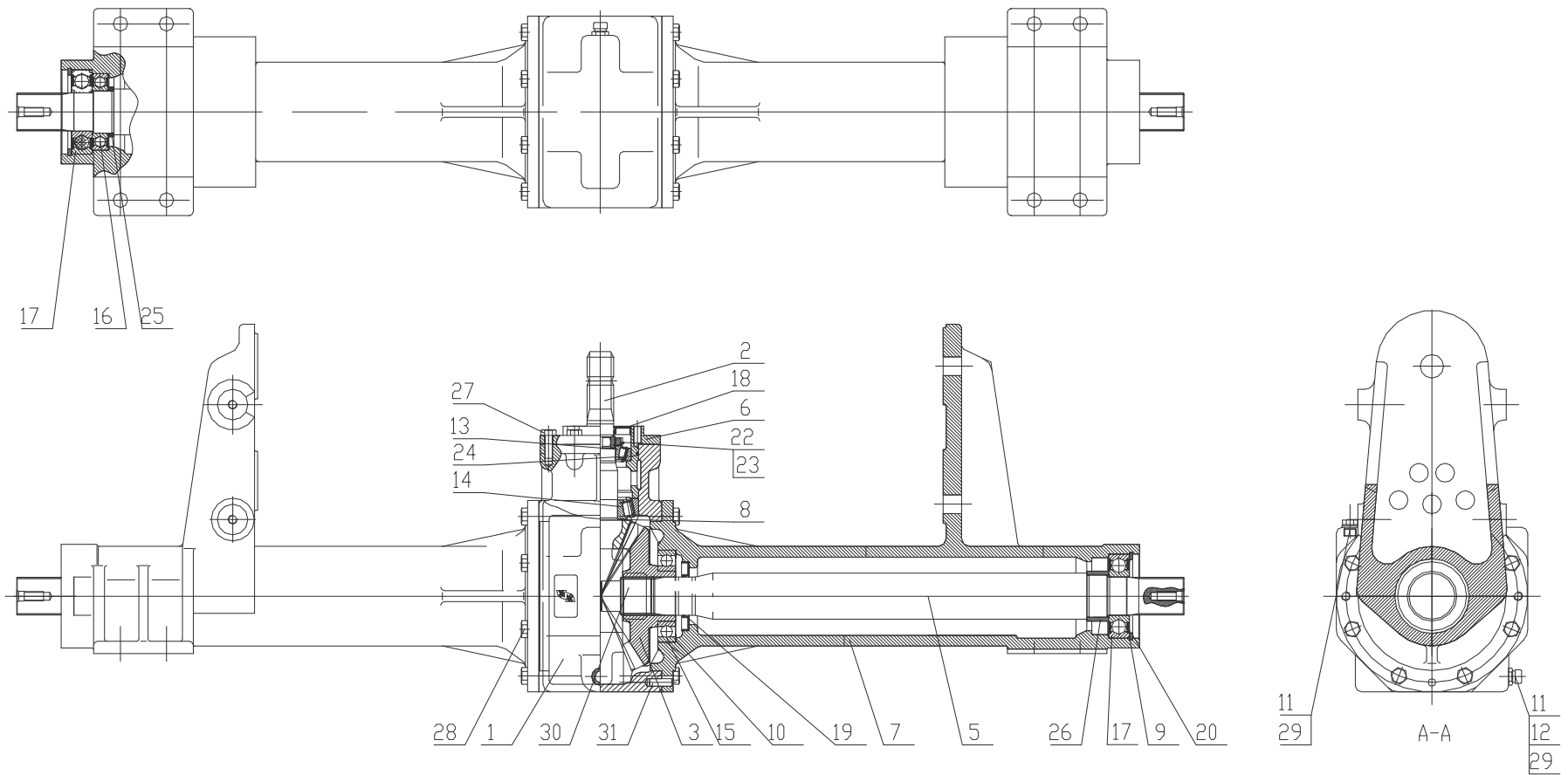
Item	Part Code	Description	Notes	Qty
1	ADB00078	SCREW JACK F5 SERIES		1
2	CTP00081	EXT PIECE PARKING JACK		1
3	CTP10002	PIN PARKING JACK BALER		1

Gearbox; CMT00157, Part 1:



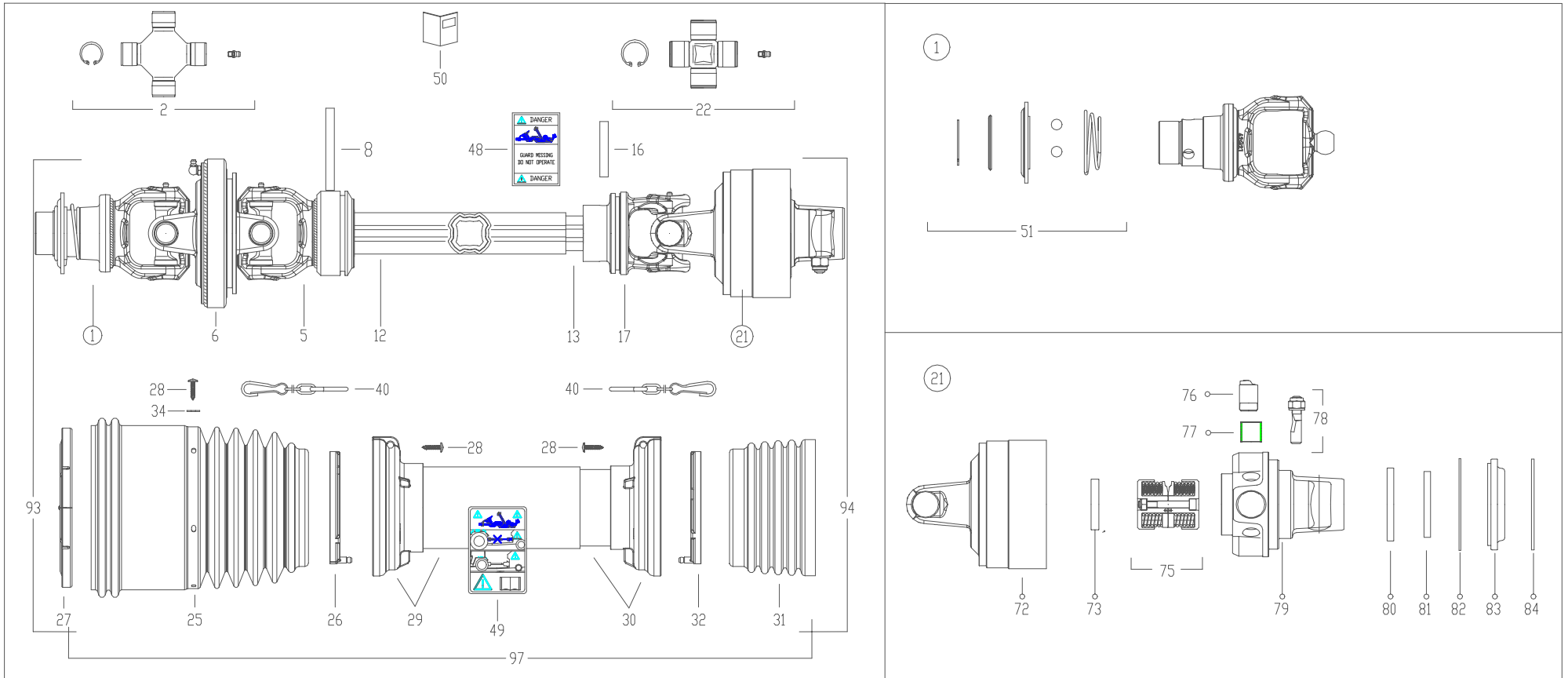
Item	Part Code	Description	Notes	Qty
1	CMT00157	GEARBOX F540		1
2	CSE00127	SEAL O-RING COPPER GEARBOX		2
3	CMT00073	DRAIN PLUG GEARBOX FUSION		1
4	CMT00072	GEARBOX BREATHER		1
5	CMH02236	SPROCKET 1 1/4" 16T 50MM SPLINE		1
6	ARC00144	SPROCKET 13T DUPLEX ASSY		1
7	CMH01029	BUSH 50X60X23 F550 GEARBOX		1
8	CMH01030	BUSH 50X60X12 F550 GEARBOX		1
9	CFA00048	SHIM 50X62X1.0		6
10	CGD00156	GUARD GEARBOX		1
11	CFA00250	WASHER SKM12		2
12	CZH02119	10MM L WASHER 10X40X12		1
13	CZC04301	3MM L GEAR BOX WASHER		1
14	CFA00330	BOLT M12X80 Z/P		1
15	CFA00251	WASHER SKM10		4
16	CFA00018	SETSCREW M10X20		4
17	CVA00563	BEKA OIL PUMP DRIVE		1

Gearbox; CMT00106, Part 2:



Item	Part Code	Description	Notes	Qty
1	CMT00161	GEARBOX HOUSING CENTRE		1
2	CMH02251	INPUT SHAFT (PINION)		1
3	CMH02252	BEVELGEAR		2
5	CMH02253	MAIN SHAFT		2
6	CMT00160	INPUT ASSY HOUSING		1
7	CMT00104	GEARBOX HOUSING LEFT/RIGHT		2
8(A)	CFA02204	SHIM 45X55X0.1		VAR.
8(B)	CFA02205	SHIM 45X55X0.2		VAR.
8(C)	CFA02206	SHIM 45X55X0.5		VAR.
8(D)	CFA02207	SHIM 45X55X1		VAR.
9(A)	CFA02208	SHIM 90X110X0.1		VAR.
9(B)	CFA02209	SHIM 90X110X0.2		VAR.
9(C)	CFA02210	SHIM 90X110X0.5		VAR.
9(D)	CFA02211	SHIM 90X110X1		VAR.
10(A)	CFA00658	SHIM 100X120X0.1		VAR.
10(B)	CFA02212	SHIM 100X120X0.2		VAR.
10(C)	CFA00660	SHIM 100X120X0.5		VAR.
10(D)	CFA00661	SHIM 100X120X1		VAR.
11	CMT00073	DRAIN PLUG GEARBOX FUSION		1
12	CMT00072	FUSION GEARBOX BREATHER		1
13	CBR00115	TAPER ROLLER BEARING 3020 8A		1
14	CBR00116	TAPER ROLLER BEARING 3030 9A		1
15	CBR00115	BEARING 6213 C3		1
16	CBR00251	BEARING 6211 2RS		2
17	CBR00113	BEARING 6310 2RSR		16
18	CSE00132	RADIAL SEAL 35X80X10		1
19	CSE00133	RADIAL SEAL 50X90X10		2
20	CFA00652	CIRCLIP 110X4		2
22	CFA02202	SLOTTED NUT KM 8		1
23	CFA02203	LOCKING WASHER MB 8		1
24	CFA00142	O RING 95X3MM		1
25	CMH02254	BUSHING		1
26	CMH02255	BUSHING		1
27	CFA00025	SETSCREW M10X30		6
28	CFA00324	SETSCREW M12X40		12
29	CSE00127	COPPER WASHER		2
30	CST00624	NAME/ RATING PLATE		1
31	CFA00662	DOWEL		2

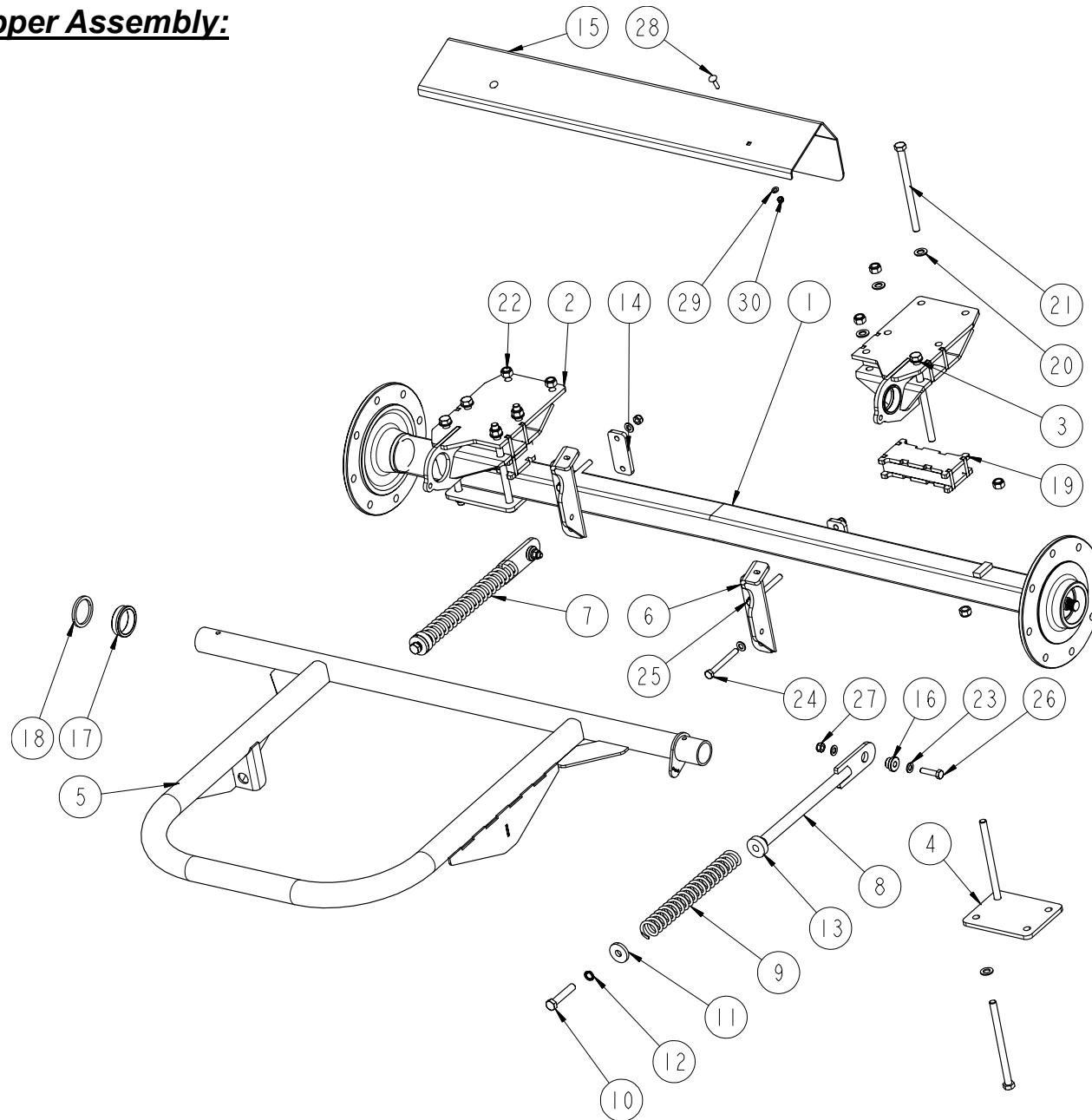
PTO Shaft; (Bondioli&Pavesi) CMT00177:



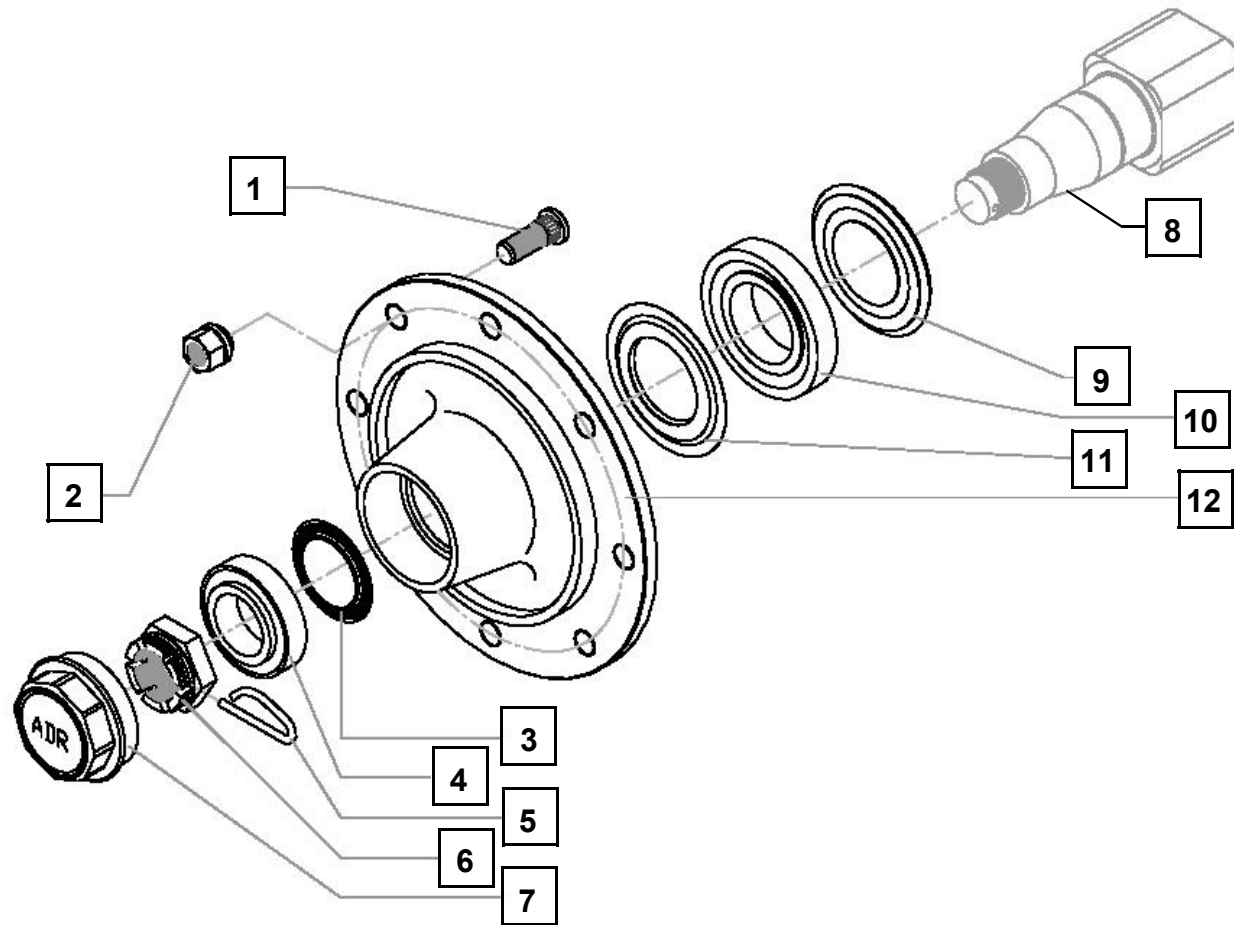
Item	Part Code	Description	Notes	Qty
1	CMT00182	YOKE		1
2	CMT00119	COMPLETE CROSS JOURNAL		1
5	CMT00120	YOKE TUBE OUTER		1
6	CMT00121	CENTRAL BODY		1
8	CFA00693	ROLL PIN 10X95		1
12	CMT00122	OUTER RILSAN TUBE		1
13	CMT00123	INNER RILSAN TUBE		1
16	CFA00694	FLEXIBLE ROLL PIN		1
17	CMT00124	YOKE TUBE INNER		1
21	CMT00180	TORQUE LIMITER 1800NM		1
22	CMT00126	COMPLETE CROSS JOURNAL		1
25	CMT00127	SHIELD CONE		1
26	CMT00128	SHIELD BEARING S6 OUTER YOKE		1
27	CMT00129	RING BEARING		1
28	CFA00695	SCREW FUSION PTO		12
29	CMT00130	GUARD CONE		1
30	CMT00131	GUARD CONE		1
31	CMT00132	SHIELD CONE		1
32	CMT00133	SHIELD BEARING S6 INNER YOKE		1
34	CFA00696	WASHER		6
40	CCH00151	SHIELD CHAINS		2
48	CST00602	DANGER LABEL - OUTER DRIVE TUB		1
49	CST00603	CE LABEL - DANGER DECAL		1
50	CLT00038	BOOKLET OPERATOR MANUAL SFT		1
51	CMT00185	BALL COLLAR KIT		1
72	CMT00135	CLUTCH HOUSING		1
73	CMT00136	RING		1
75	CMT00181	SPRING PACK KIT 1800NM		1
76	CMT00138	PLUG CLUTCH RATCHET		1
77	CMT00139	SLEEVE BUSHING RATCHET		1
78	CMT00140	PIN		1
79	CMT00141	HUB		1
80	CMT00142	RING		1
81	CMT00143	RING		1
82	CMT00144	OR RING		1
83	CMT00145	QR COVER PART		1
84	CMT00146	ELASTIC RING		1
93	CMT00149	OUTER SHAFT ASSEMBLY + SHIELD		1
94	CMT00183	INNER SHAFT ASSY+SHIELD 1800NM		1

Item	Part Code	Description	Notes	Qty
97	CMT00153	COMPLETE SHIELD		1

Bale Dropper Assembly:



Item	Part Code	Description	Notes	Qty
1	CAX00063	AXLE ASSY ST BALER		1
2	ACH00567	SPACER ASSY LEFT ST		1
3	ACH00568	SPACER ASSY RIGHT ST		1
4	CZH02768	10MM L CHASSIS PART		2
5	ALA00085	BALE DROPPER ASSY		1
6	CZH02912	10MM L CHASSIS PART		2
7	ALA00098	SPRING ASSY BALE RAM		2
8	ALA00099	SPRING TUBE ASSY BAL		1
9	CSG00053	SPRING COMP 7X31.5X45X360		1
10	CFA00332	SETSCREW M16X85 Z/P		1
11	CZG02173	8MM L WASHER PART ST		1
12	CFA00142	WASHER SPRING 16MM Z/P		1
13	CBE00169	BUFFER 17X50X15		1
14	CZH02913	10MM L CHASSIS PART ST		2
15	CZD02390	4MM L GRASS PLATE ST		1
16	CMH00771	BUSH 12X35 STEPPED		2
17	CMH00944	BUSH 60X75X20		2
18	CZF03228	6MM L BALE RAMP PART		2
19	ACH00668	AXLE SPACER PLATE AS		2
20	CFA00140	WASHER FLAT 16MM Z/P		16
21	CFA00673	BOLT M16X230 ZP		8
22	CFA00128	NUT M16 NYLOC		12
23	CFA00138	WASHER FLAT 12MM Z/P		12
24	CFA00295	SETSCREW M12X110 ZP		2
25	CFA00517	BOLT M12X120 Z/P		2
26	CFA00272	BOLT M12X50 Z/P		2
27	CFA00124	NUT M12 NYLOC		6
28	CFA00502	BOLT M8X35 CUPHEAD SQ Z/P		2
29	CFA00147	WASHER FLAT 8MM Z/P		2
30	CFA00132	NUT M8 NYLOC Z/P		2



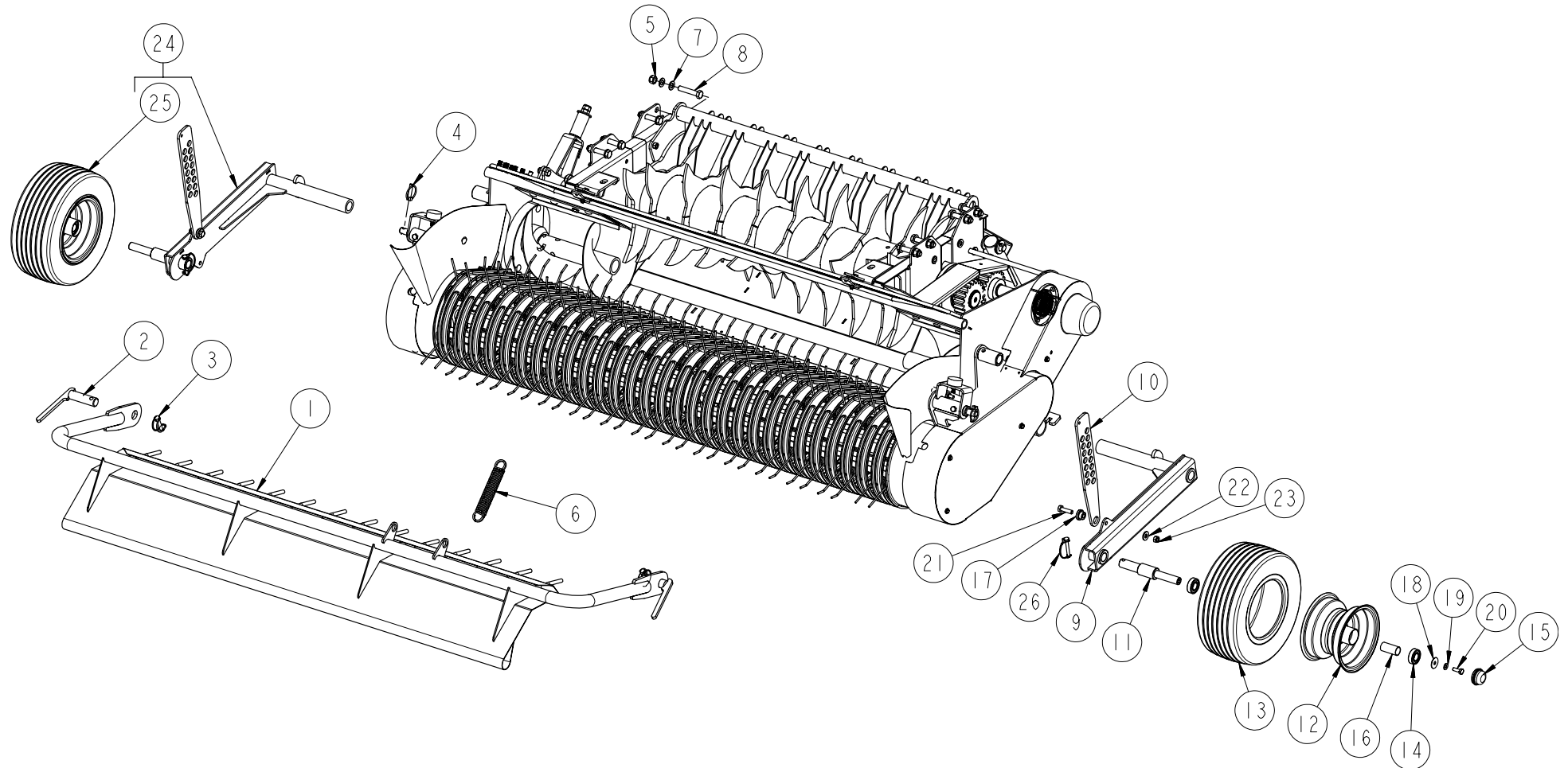
Item	Part Code	Description	Notes	Qty
1	CFA00235	WHEEL STUD M18X1.5		16
2	CFA00121	M18 WHEEL NUT		16
3	CBR00261	NILOS SEAL 1 AXLE CAX00063		2
4	CBR00262	TAPER ROLLER BEARING 32210		2
5	CFA00750	LOCKING PIN		2
6	CFA00751	CASTLE NUT FOR CAX00063		2
7	CAX00080	HUB CAP FOR CAX00063		2
8	CAX00064	AXLE 70MM 8 STUD 1900 LONG		1
9	CSE00143	OIL SEAL AXLE CAX00063		2
10	CBR00064	TAPER ROLLER BEARING 30213		2
11	CBR00263	NILOS SEAL 2 AXLE CAX00063		2
12	CAX00065	HUB 8 STUD CAX00063		2

Wheel Options:



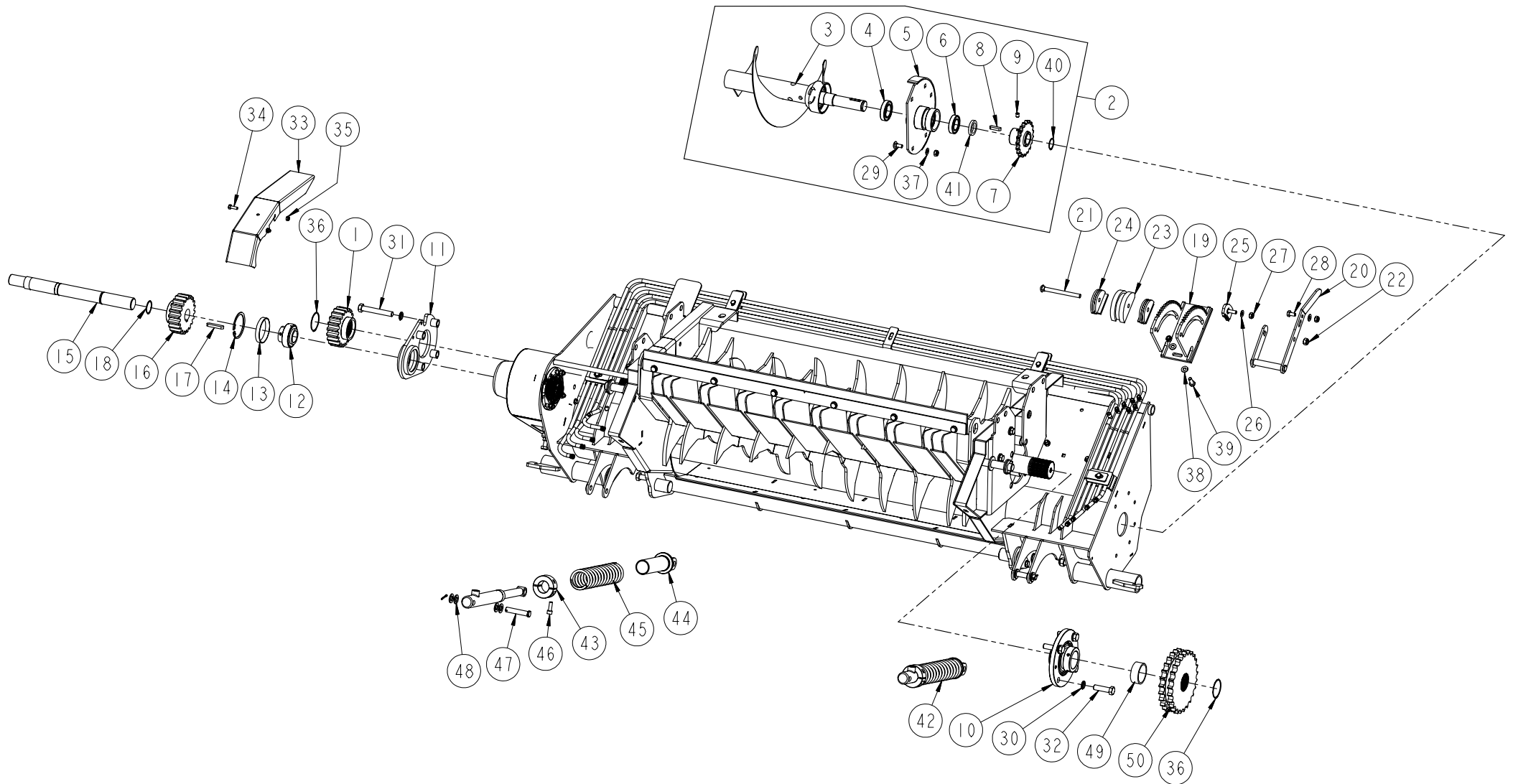
Item	Part Code	Description	Notes	Qty
1	CWH00072	WHEEL ASSY 13.5/75-430.9 VERD		2
	CWH00256	WHEEL RIM 11X430.9		2
	CWH00257	TYRE 13.5/75-430.9 VERDESTEIN		2
2	CWH00061	WHEEL ASSY 380/55-17		2
	CWH00252	WHEEL RIM 13X17 STD BALER		2
	CWH00062	TYRE 380/55 R17 VERDESTEIN		2

Pickup Reel; ACH00898, Part 1:



Item	Part Code	Description	Notes	Qty
1	ACH00356	GRASS COVER REEL FRONT		1
2	ALA00035	HINGE PIN REEL FRONT		2
3	CFA00194	LINCH PIN PIPE 10MMX50MM		2
4	CFA00005	LINCH PIN 10MM		2
5	CFA00128	NUT M16 NYLOC		10
6	CSG00038	SPRING EXT 4.47x37.5x220x35		1
7	CFA00140	WASHER FLAT 16MM Z/P		28
8	CFA00498	BOLT M16 X 80 Z/P		8
9	ADB00052	PICKUP WHEEL ASSY ST BALER		1
10	CZG04245	8MM L WHEEL GUIDE PART		1
11	CMH00962	PIN 30X200 STEPPED		1
12	CWH00035	WHEEL RIM 5.50AX8		1
13	CWH00036	TYRE 170/60-8 VREDESTEIN 6PLY		1
14	CBR00009	BEARING 6205 2RS		2
15	CTP00070	DUST CAP 170/60-8 VREDESTEIN		1
16	CMH00838	BUSH 27X30.25X62 REEL WHEEL		1
17	CMH00771	BUSH 12X35 STEPPED		1
18	CFA00134	WASHER MUDWING M10X38MM OD		1
19	CFA00251	WASHER SKM10		1
20	CFA00025	SETSCREW M10X30		1
21	CFA00079	BOLT M12X45		1
22	CFA00139	WASHER FLAT 12MM H/D Z/P		1
23	CFA00124	NUT M12 NYLOC		1
24	ADB00051	PICKUP WHEEL COMP ASSY RIGHT		1
25	CWH00037	WHEEL 170/60 -8 (V 64)		1
26	CFA00708	LINCH PIN PIPE 9.5X57		2

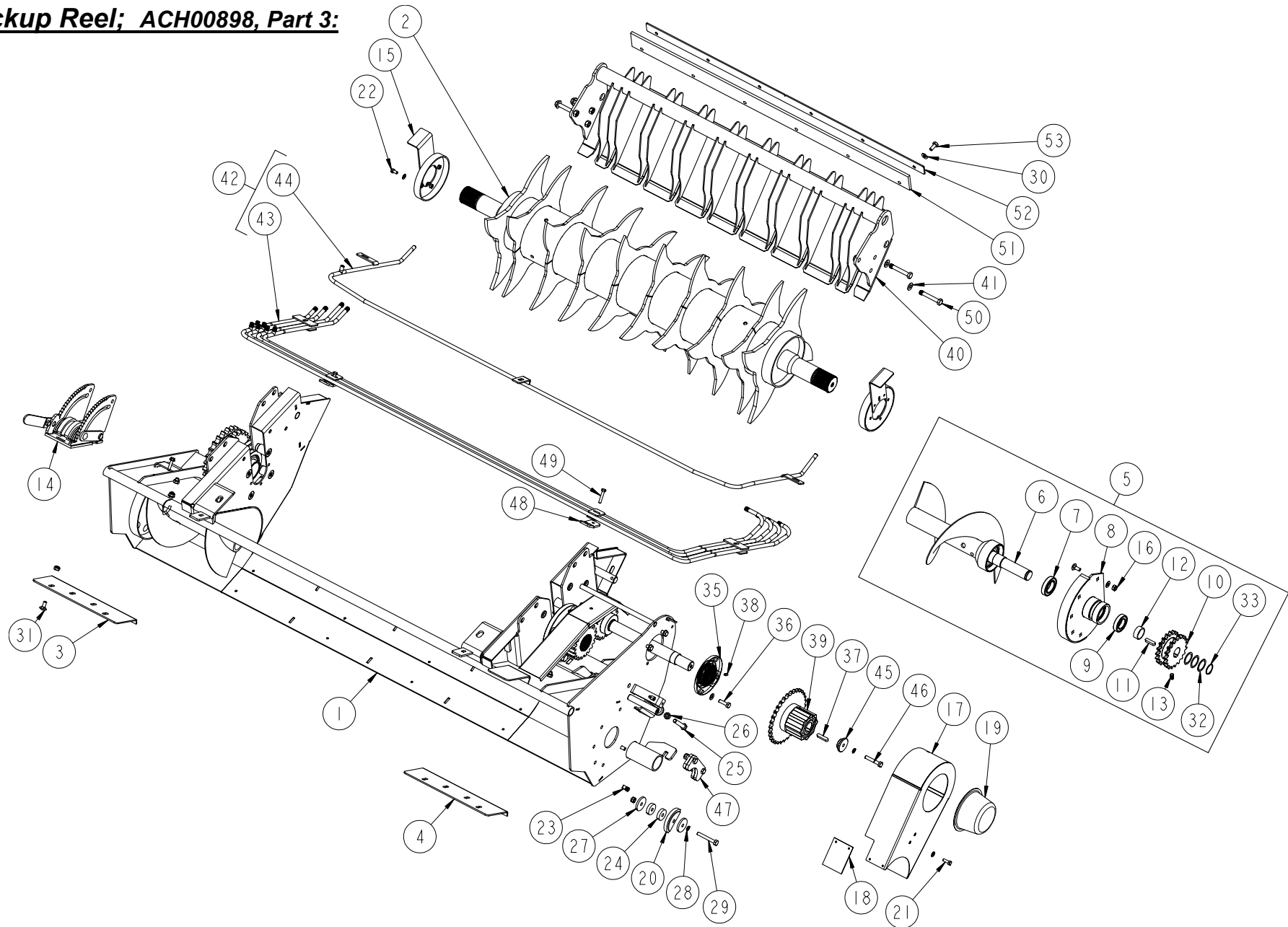
Pickup Reel; ACH00898, Part 2:



Item	Part Code	Description	Notes	Qty
1	CMH00652	GEAR SPUR 20 TOOTH SPLINE		1
2	ACH00328	AUGER COMPLETE ASSY. (RIGHT)		1
3	ACH00327	AUGER ASSY. (RIGHT)		1
4	CBR00076	BEARING 6008 2RS		1
5	ACH00313	BEARING HOUSING WELD ASSY.		1
6	CBR00001	BEARING 6007 2RS		1
7	ACH00326	SPROCKET AUGER ASSY. (RIGHT)		1
8	CFA00239	KEY 10X8X40		1
9	CFA00559	GRUBSCREW M10X12		1
10	CBR00078	BEARING FEC 60 4 BOLT FLANGE		2
11	ACH00330	BEARING HOLDER WELD ASSY		1
12	CBR00093	BEARING INSERT INA GYE 40 KRRB		1
13	CMH00245	BEARING RETAINER 1040 35MM		1
14	CFA00232	CIRCLIP 85MM INTERNAL		1
15	CMH00657	SHAFT 40 X 450.5 STE		1
16	CMH00653	GEAR SPUR MOD6 20T 40MM ID		1
17	CFA00558	KEY 12X8X60		1
18	CFA00551	CIRCLIP 40MM EXTERNAL		2
19	ACH00333	TENSIONER BRCK WELD ASSY		1
20	ACH00334	CHAIN TENSIONER ASSY.		1
21	CFA00493	BOLT M12X130 CUP SQUARE Z/P		1
22	CFA00124	NUT M12 NYLOC		1
23	CPL00055	CHAIN TENSIONER SLIDE 1"DUPLEX		1
24	ACH00406	TENSIONER SPACER 1" DUPLEX		2
25	ACH00427	CHAIN TENSIONER LATC		1
26	CFA00201	WASHER FLAT 10 MM Z/P		2
27	CFA00123	NUT M10 NYLOC		2
28	CFA00023	SETSCREW M10X20 Z/P		1
29	CFA00442	SETSCREW M10X25 CUP SQ		7
30	CFA00783	WASHER NL16 NORD-LOCK		8
31	CFA00787	BOLT M16X100 Z/P GRADE 10.9		4
32	CFA00786	BOLT M16X60 Z/P GRADE 10.9		4
33	CZB02160	1.5MM L SPUR GEAR GUARD BALER		1
34	CFA00102	SETSCREW M8X25 Z/P		4
35	CFA00132	NUT M8 NYLOC Z/P		2
36	CFA00513	CIRCLIP 60MM EXTERNAL		2
37	CFA00251	WASHER SKM10		13
38	CFA00201	WASHER FLAT 10 MM Z/P		10
39	CFA00025	SETSCREW M10X30		2

Item	Part Code	Description	Notes	Qty
40	CFA00514	CIRCLIP 35MM EXTERNAL		2
41	CZG02115	8MM L AUGER SPACER		1
42	CRA00186	RAM PICKUP BALER		2
43	ACH00405	SPRING RETAINER RAM PICKUP		1
44	ACH00404	SPRING RETAINER PICKUP		1
45	CSG00037	SPRING COMP 7.92X68.		1
46	CFA00602	SETSCREW M10X30 SOC CAP Z/P		2
47	CMH00961	PIN CLEVIS 16X86 & DIA 4 C.HOLE		2
48	CFA00140	WASHER FLAT 16MM Z/P		12
49	CXT00262	TUBE 70X4.5X27 RAM TUBE		1
50	CMH00659	SPROCKET 1" PITCH 25 T DUPLEX		1

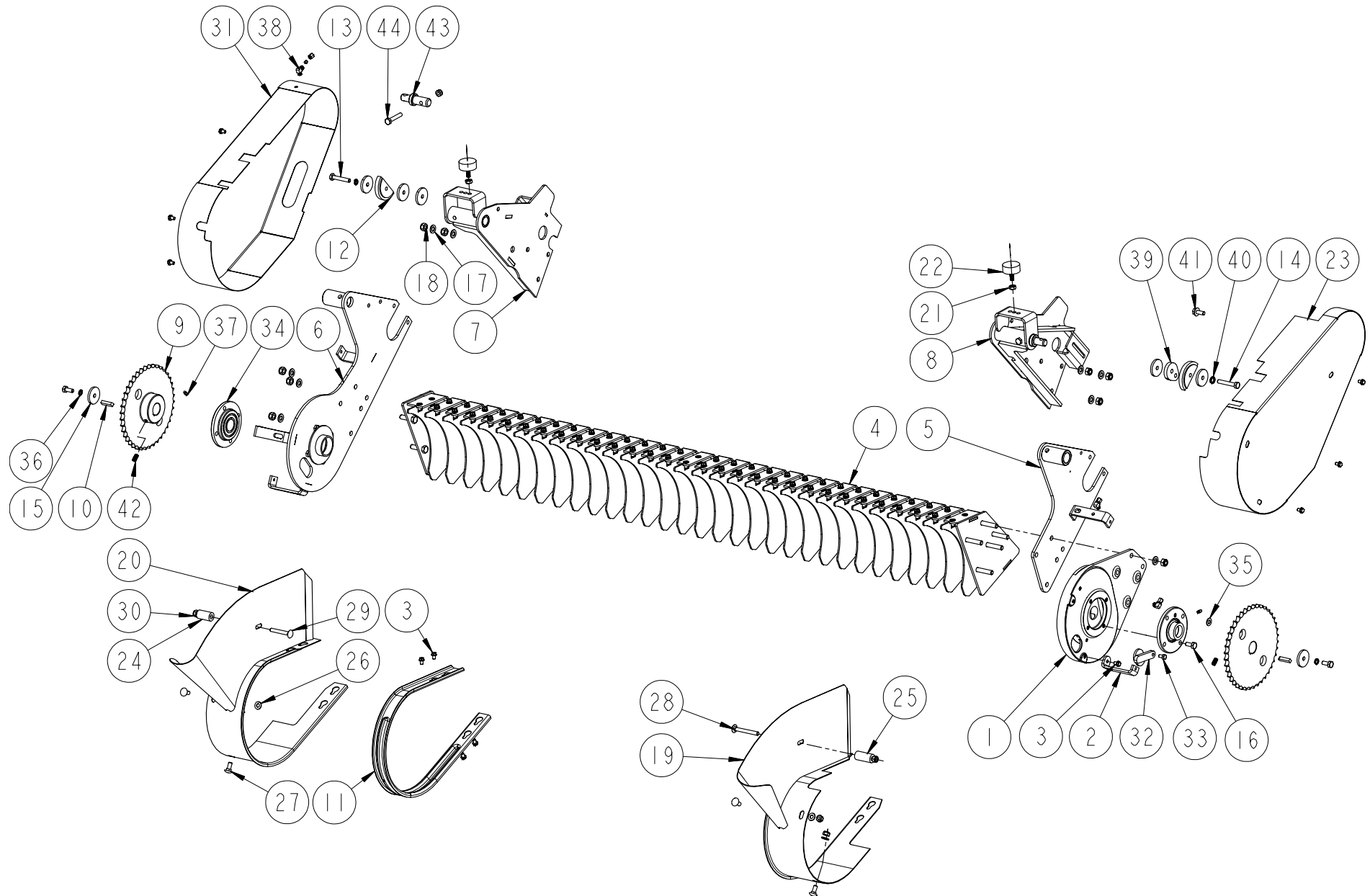
Pickup Reel; ACH00898, Part 3:



Item	Part Code	Description	Notes	Qty
1	ACH00297	CHASSIS COMP WELD ASSY		1
2	ACH00852	STD BALER LIGHT ROTO		1
3	CZD02287	4MM L AUGER CLEANING PLATE (R)		1
4	CZD02227	4MM L CHOPPER UNIT PART		1
5	ACH00325	AUGER COMPLETE ASSY. (LEFT)		1
6	ACH00314	AUGER ASSY. (LEFT)		1
7	CBR00076	BEARING 6008 2RS		1
8	ACH00423	BEARING HOUSING WELD ASSY.		1
9	CBR00001	BEARING 6007 2RS		1
10	CMH00633	SPROCKET 3/4" PITCH 19T DOUBLE		1
11	CFA00239	KEY 10X8X40		1
12	CXT00259	TUBE 42.4X3X16		1
13	CFA00625	M10 x 20 GRUBSCREW		1
14	ACH00335	CHAIN TENSIONER COMP. ASSY.		1
15	ARC00059	ROTOR SEAL RING ASSY		2
16	CFA00123	NUT M10 NYLOC		21
17	CGD00057	GUARD SLIPCLUTCH PICKUP REEL		1
18	CBE00033	RUBBER 100X80 CHAIN GUARD		1
19	CTP00308	CAP STEEL SLIP CLUTCH		1
20	CPL00043	PLASTIC CHAIN TENSIONER (REEL)		1
21	CFA00102	SETSCREW M8X25 Z/P		4
22	CFA00101	SETSCREW M8X16 Z/P		6
23	CFA00542	OILER FITTING 90 DEG 1/8" BSP		1
24	CZH02584	10MM L WASHER 40X10.5 Z/P		2
25	CFA00330	BOLT M12X80 Z/P		1
26	CFA00125	NUT M12 Z/P		1
27	CZF02215	6MM L WASHER 10.5X50X6 Z/P		2
28	CFA00137	WASHER SPRING 10MM H.D Z/P		2
29	CFA00075	BOLT M10X75 Z/P		1
30	CFA00201	WASHER FLAT 10 MM Z/P		5
31	CFA00068	BOLT M10X25 CUP SQ. Z/P		7
32	CFA00512	SHIM 35X45X1.0 Z/P		3
33	CFA00514	CIRCLIP 35MM EXTERNAL		2
34	CCH02028	CHAIN KIT PICK UP REEL		1
35	CBR00104	BEARING INA TME 40 GE 40 KPPB3		1
36	CFA00311	SETSCREW M10X35 Z/P		4
37	CFA00081	KEY 10X8X45		1
38	CFA00217	GREASE NIPPLE M6X1.0 ST		1
39	ARC00060	PIN CLUTCH ASSY REEL		1

Item	Part Code	Description	Notes	Qty
40	ACH00853	BALER STD LIGHT COMB		1
41	CFA00250	WASHER SKM12		4
42	CHY02524	STEEL PIPES 5 BANK ASSY		1
43	CHY02120	STEEL PIPE ASSY PICK UP REEL		1
44	CHY02424	STEEL PIPE ASSY (EXTRA) F550		1
45	CMH01082	BUSH 10X50X16 STEPPED 35		1
46	CFA00027	BOLT M10X60 Z/P		1
47	ALA00280	REEL PIVOT BRACKET (NEW)		2
48	CZF02904	6MM L GUARD BRACKET BALER		2
49	CFA00106	BOLT M8X45 Z/P		2
50	CFA00777	BOLT M12X80 GRADE 10.9 S/C		4
51	CBE00051	RUBBER BELT ROLLER C		1
52	CZD02382	4MM L STRIP TO HOLD		1
53	CFA00024	SETSCREW M10X25 Z/P		1

Pickup Reel; ACH00898, Part 4:

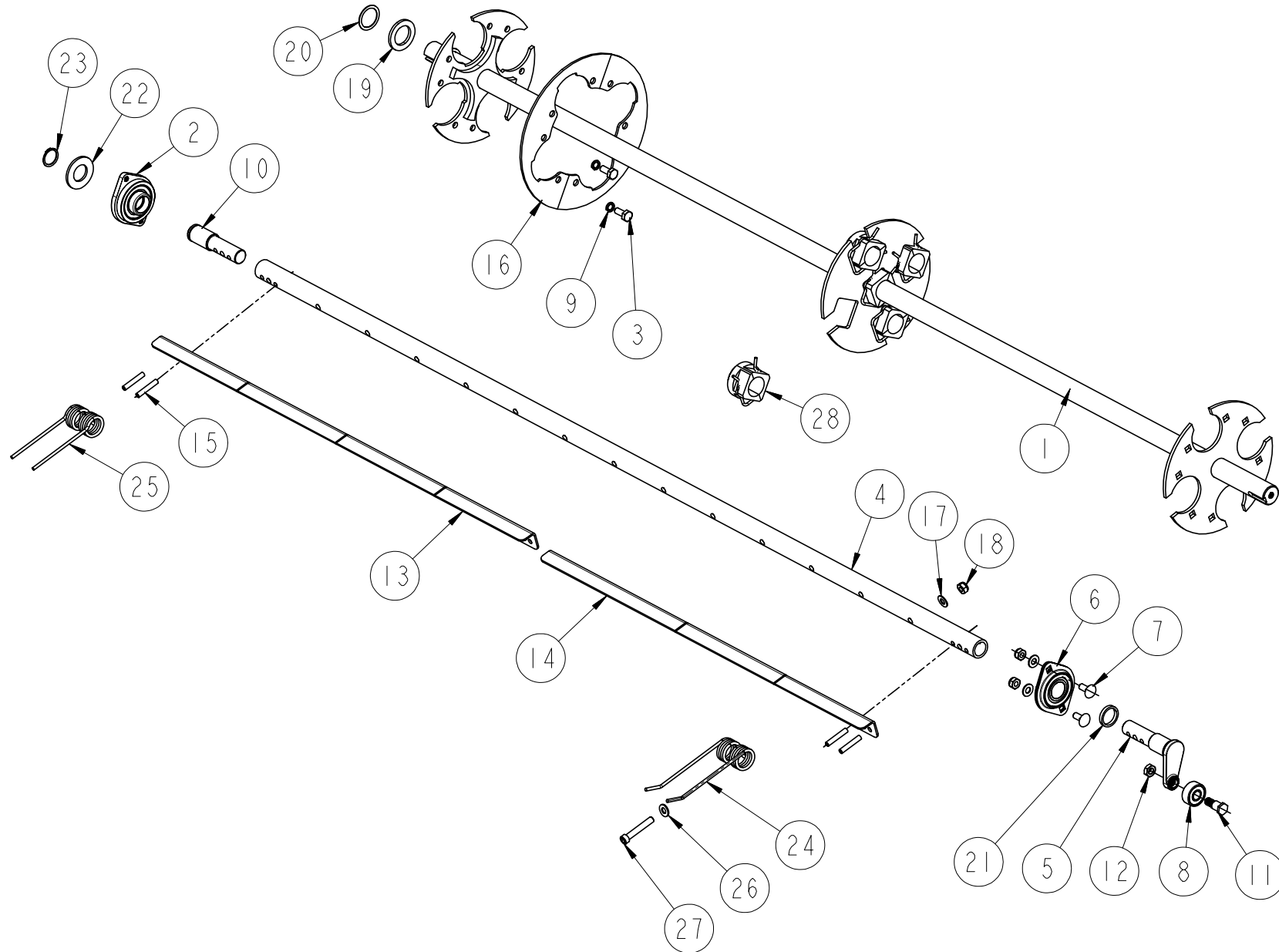


Item	Part Code	Description	Notes	Qty
1	CTP00252	CAM TRACK	[A]	1
2	CZF04369	6MM L CAM TRACK BRAC		1
3	CFA00492	SETSCREW M8X12 FLANGED Z/P		123
4	ACH00424	REEL BACK PLATE WELD ASSY NEW		1
5	ACH00307	PICK UP REEL INNER BRCKT. (L)		1
6	ACH00306	PICK UP REEL INNER BRCKT. (R)		1
7	ACH00298	REEL WELD ASSY OUTER (RIGHT)		1
8	ACH00301	REEL WELD ASSY OUTER (LEFT)		1
9	CMH00621	PLATWEHEEL 3/4" PITCH 40 T		2
10	CFA00624	KEY 10x8x40 STRAIGHT		2
11	CTP00048	BAND PICK UP REEL (BALER)		1
12	CPL00043	PLASTIC CHAIN TENSIONER (REEL)		2
13	CFA00026	BOLT M10X60		1
14	CFA00028	BOLT M10X65 Z/P		1
15	CZF02215	6MM L WASHER 10.5X50X6 Z/P		7
16	CFA00024	SETSCREW M10X25 Z/P		3
17	CFA00138	WASHER FLAT 12MM Z/P		9
18	CFA00124	NUT M12 NYLOC		9
19	ACH00305	BAND OUTER (LEFT) WELD ASSY.		1
20	ACH00304	BAND OUTER (RIGHT) WELD ASSY.		1
21	CFA00008	NUT M10		2
22	CBE00002	BUFFER RUBBER 50X21 M10X28		2
23	CGD00034	GUARD REEL LEFT HAND		1
24	CMH00740	BUSH 12X25X45		1
25	CMH00741	BUSH 12X25X55		1
26	CFA00201	WASHER FLAT 10 MM Z/P		4
27	CFA00442	SETSCREW M10X25 CUP SQ		4
28	CFA00546	BOLT M10X85 CUP HEAD SQ Z/P		1
29	CFA00474	BOLT M10X70 CUP SQUARE ZP		1
30	CFA00123	NUT M10 NYLOC		6
31	CGD00036	GUARD REEL RIGHT		1
32	CGD00050	CAM TRACK BLANKING CAP		1
33	CFA00101	SETSCREW M8X16 Z/P		1
34	CBR00092	BEARING CIRCR FLNGE INA PME 35		2
35	CFA00251	WASHER SKM10		1
36	CFA00137	WASHER SPRING 10MM ZP HD		3
37	CFA00217	GREASE NIPPLE M6X1.0 ST		2
38	CFA00542	OILER FITTING 90 DEG 1/8" BSP		3
39	CZH02907	10MM L WASHER 10X50 FLAT Z/P		1

Item	Part Code	Description	Notes	Qty
40	CFA00207	WASHER SPRING 12MM HD ZP		1
41	CFA00520	SETSCREW M10X25 FLD ZP		1
42	CFA00625	M10 x 20 GRUBSCREW		2
43	CMH01035	PIN 25X97 AND12MM CH (Z/P)		2
44	CFA00027	BOLT M10X60 Z/P		2

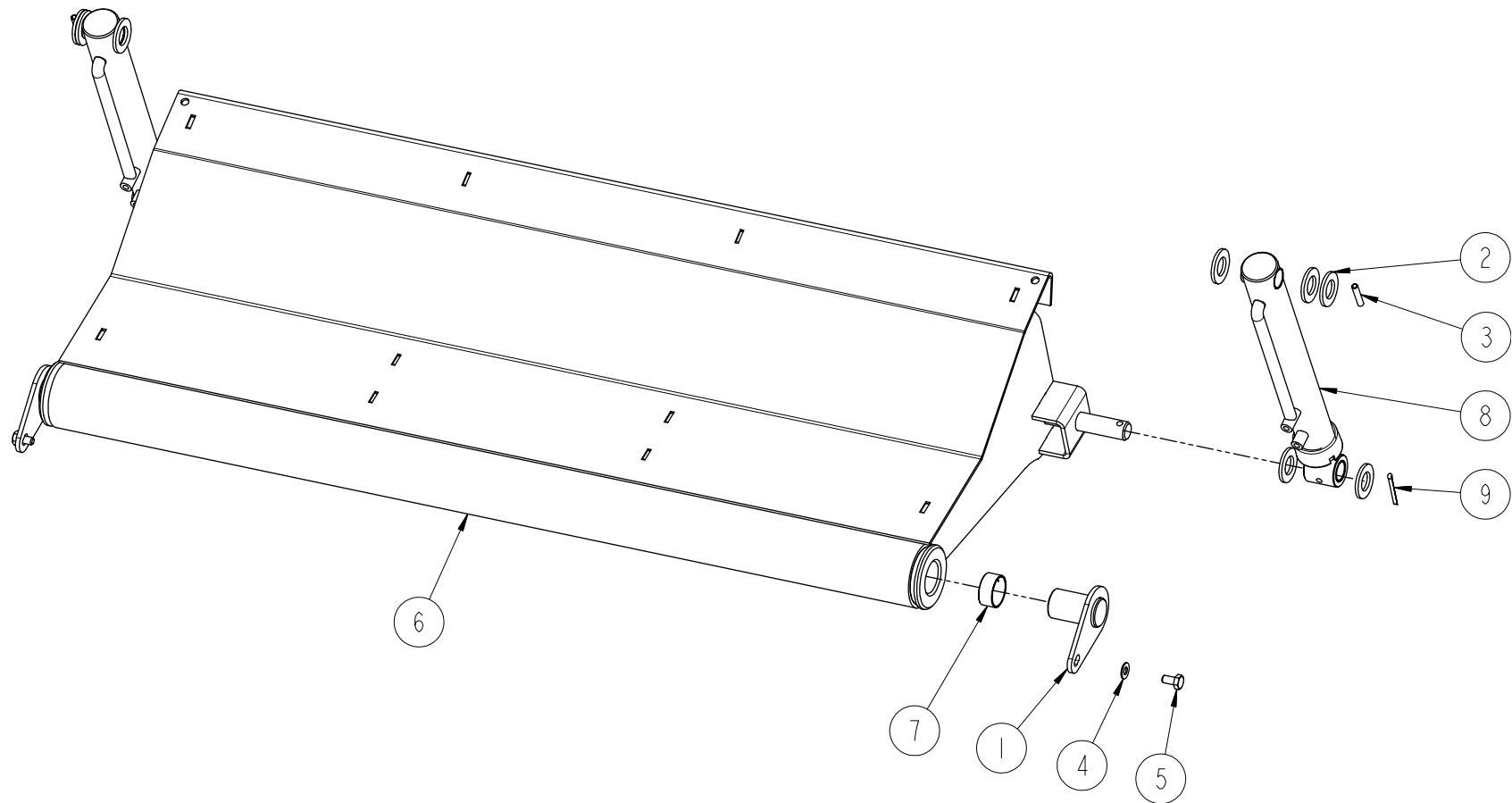
[A] ON MACHINES WHERE BRACKETS (see item 2) ARE ATTACHED BY WELDING THEN ITEMS (2&3)X2 MUST ALSO BE ORDERED FOR USE WITH THIS PART.

Pickup Reel; ACH00898, Part 5:



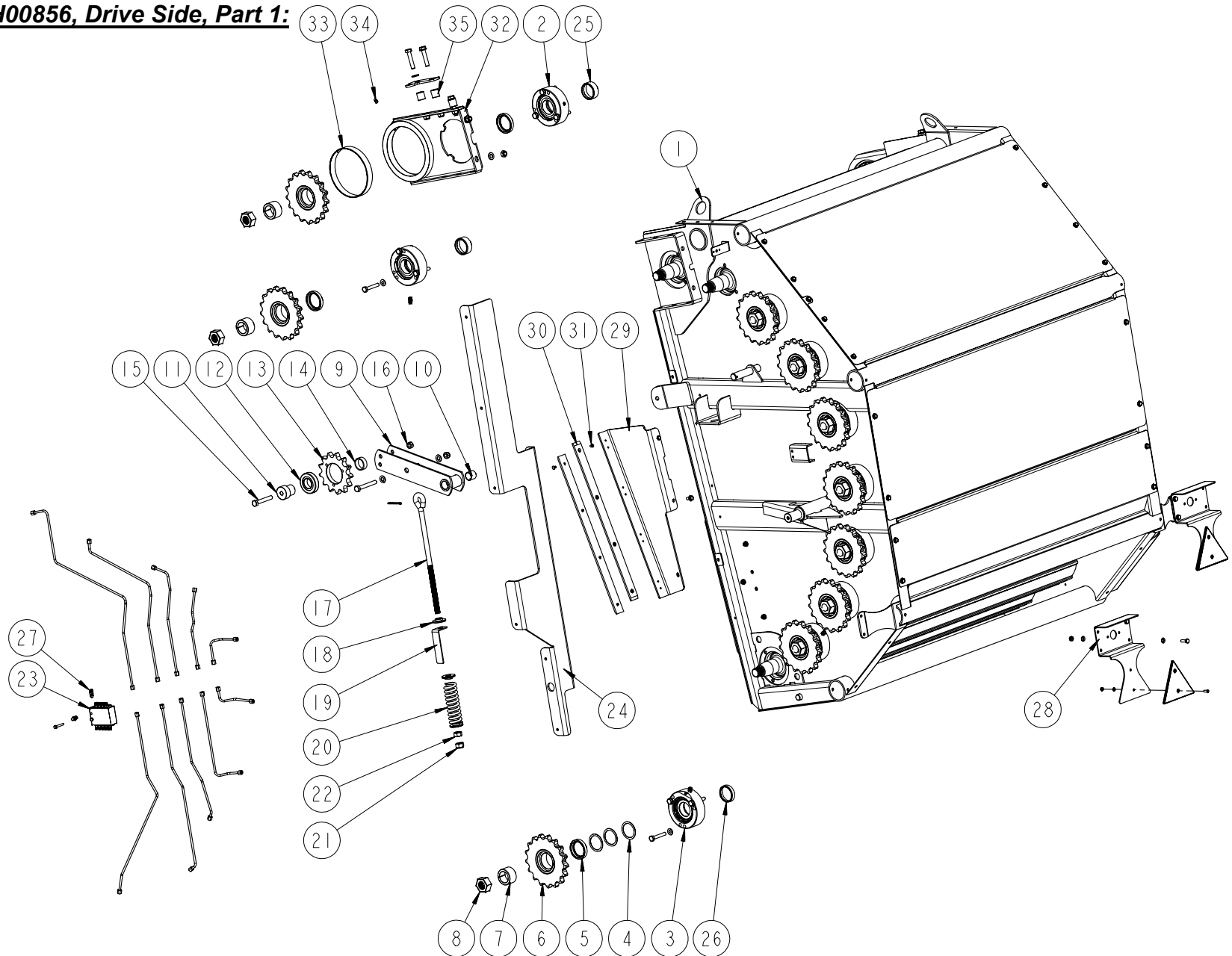
Item	Part Code	Description	Notes	Qty
1	ACH00309	PICK UP REEL SHAFT ASSY		1
2	ACH02226	REEL BEARING FLOATING ASSY		4
3	CFA00024	SETSCREW M10X25 Z/P		2
4	ALA00046	TYNE BAR ASSY REEL		4
5	CTP00251	CAM AXLE (FORGED)		4
6	CBR00072	BEARING INA 2 BOLT RAE 30 NPPB		4
7	CFA00442	SETSCREW M10X25 CUP SQ		2
8	CBR00081	BEARING CAM INA LR 5202 NPPU		1
9	CFA00137	WASHER SPRING 10MM ZP HD		2
10	CMH00843	SHAFT 30X125 STEPPED & C-HOLES		1
11	CMH00672	BOLT SHOULDER 3/4" H		1
12	CFA00446	NUT M12 HEXAGON LOCK/HALF NUT		1
13	CZC02139	3MM L TYNE BAR CHANNEL BALER		4
14	CZC02140	3MM L TYNE BAR CHANNEL BALER		4
15	CFA00538	SPIROL PIN 8X45 S/C		4
16	CZD02285	4MM L REEL GRASS PLATE		2
17	CFA00251	WASHER SKM10		3
18	CFA00123	NUT M10 NYLOC		3
19	CZE00156	5MM L WASHER 35X55X5 Z/P		1
20	CFA00512	SHIM 35X45X1.0 Z/P		3
21	CZF02933	6MM L WASHER 30X37X6 Z/P		1
22	CZD02325	4MM L WASHER 30X58X4 Z/P		1
23	CFA00402	CIRCLIP 30MM EXTERNAL		1
24	CTN00008	TINE PICK UP REEL BA		1
25	CTN00014	TINE STRAIGHT PICK UP REEL		1
26	CFA00201	WASHER FLAT 10 MM Z/P		1
27	CFA00664	BOLT M10X60 SOC CAP Z/P		1
28	ALA00177	BUSHING CENTER (ASSY) REEL		5

Drop Floor:



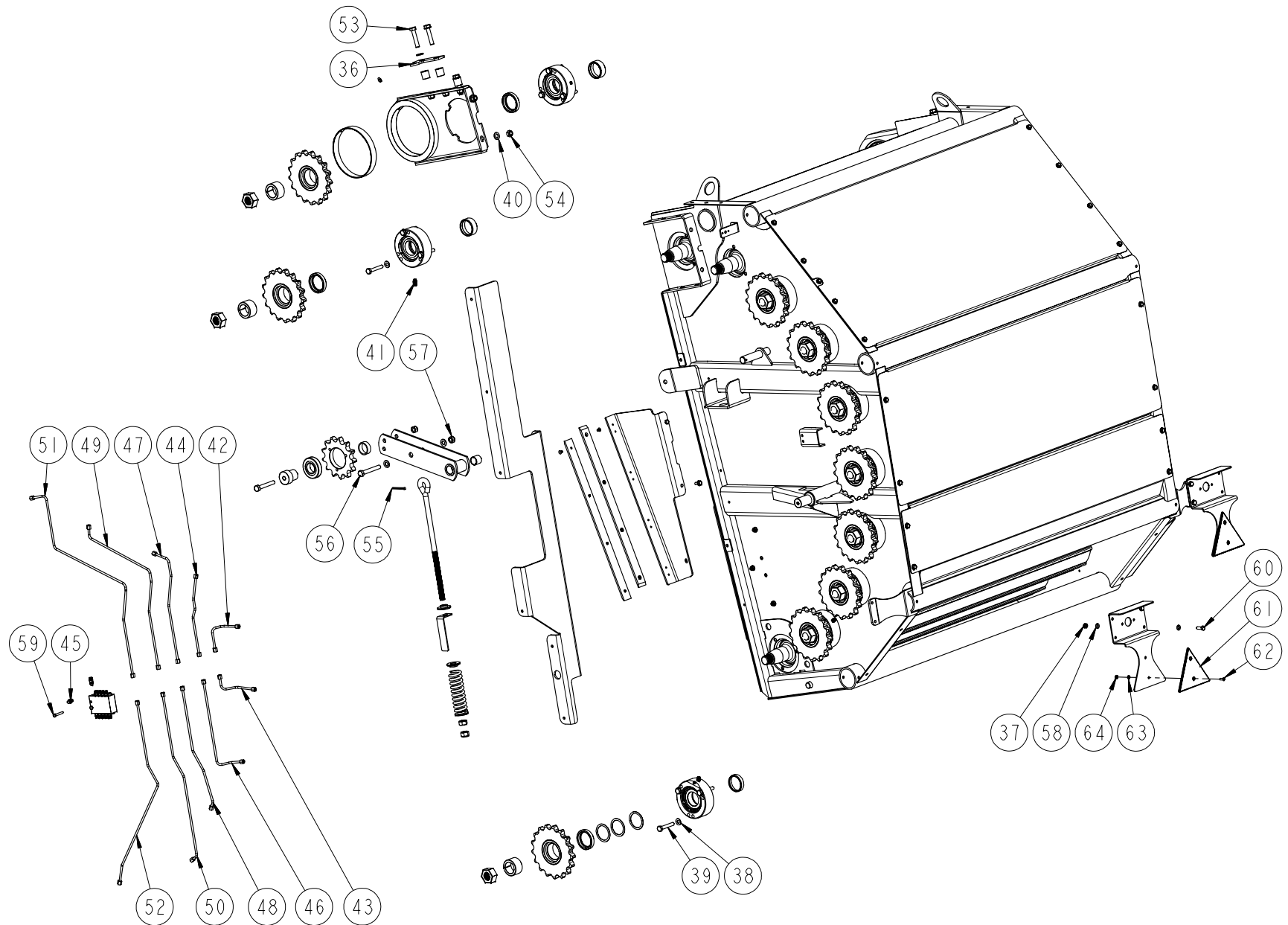
Item	Part Code	Description	Notes	Qty
1	ACH00321	PIN CHOPPER FLOOR HINGE Z/P		2
2	CFA00135	WASHER FLAT 1" Z/P		10
3	CFA00380	ROLL PIN 8X40 Z/P		2
4	CFA00251	WASHER SKM10		2
5	CFA00023	SETSCREW M10X20 Z/P		2
6	ACH00900	DROP FLOOR F540		1
7	CBR00268	BEARING GLACIER DU 4		2
8	CRA00193	RAM CHOPPER FLOOR 20		2
9	CFA00669	SPLIT PIN 8X50 Z/P		2

Rear Door; ACH00856, Drive Side, Part 1:



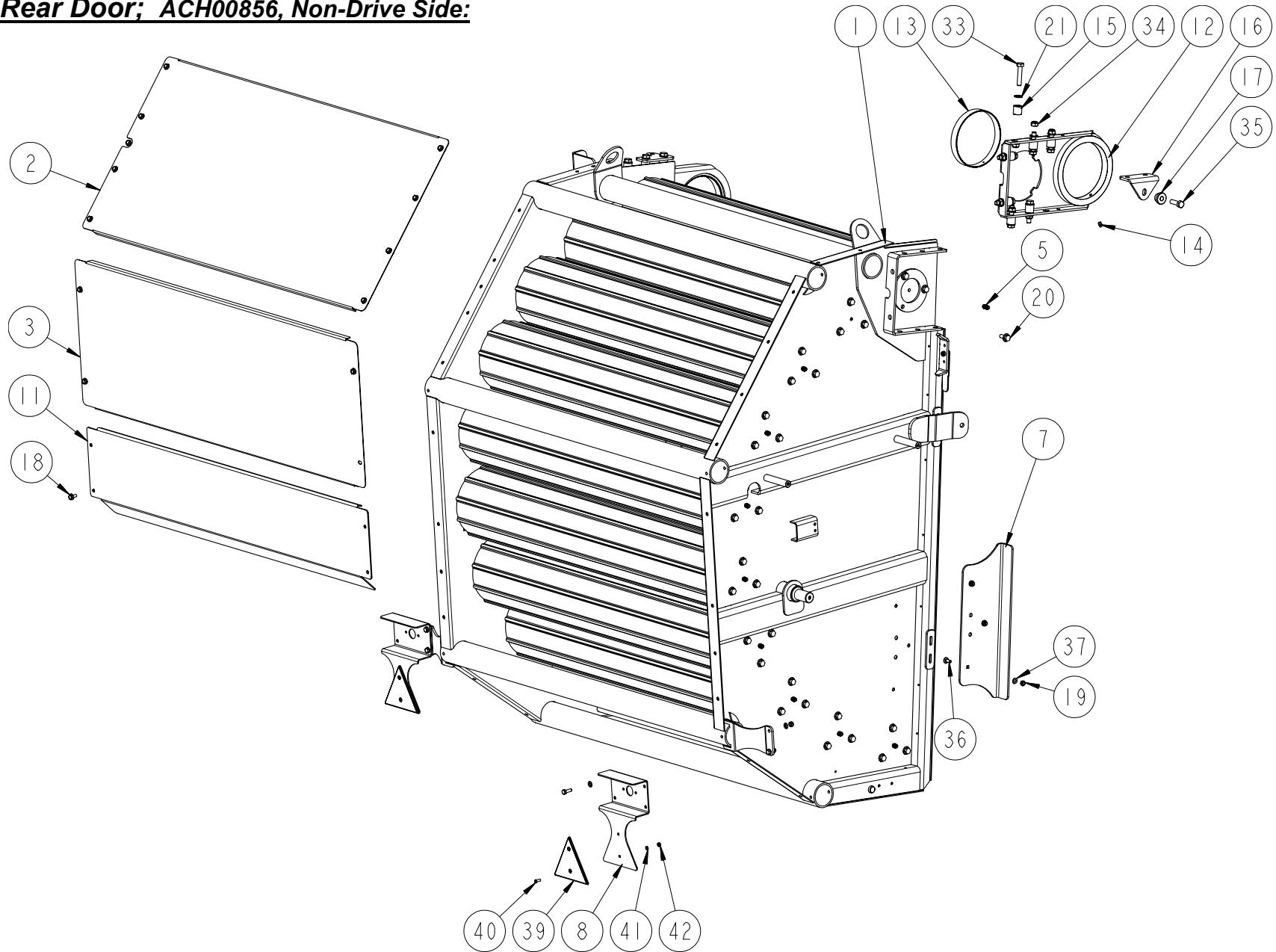
Item	Part Code	Description	Notes	Qty
1	ACH00541	BALER BACK DOOR WELD ASSY		1
2	ART00301	BEARING HOUSING 76210 ASSY		9
3	ART00088	BEARING ROLLER COMP ASSY		1
4	CFA00048	SHIM 50X62X1.0		3
5	CMH00510	BUSH 50X68X12.5 STEP		10
6	ART00081	1 1/4" PITCH 17 T SPROCKET ASY		10
7	CMH00507	BUSH 39X56X33 TAPPER		10
8	CFA00401	NUT M30X2 FINE THREAD		10
9	ACH00188	DOOR CHAIN TENSION WELD ASSY.		1
10	CBR00039	BEARING GLACIER PM 2525 DX		2
11	CMH00467	BUSH 45X12.5X52 STEPPED 35		1
12	CBR00062	BEARING RADIAL 6207LLU (SKF)		1
13	CMH00463	SPROCKET 1 1/4" 13 TOOTH		1
14	CXT00185	TUBE 42.4X3X15		1
15	CFA00330	BOLT M12X80 Z/P		1
16	CFA00124	NUT M12 NYLOC		1
17	CFA00672	EYE BOLT SPRING TENSIONER		1
18	CMH00464	BUSH 45X17X10 STEPPED 25		3
19	CZC02057	3MM L CHAIN TENSIONE		1
20	CSG00025	SPRING COMPX8.5X44.8		1
21	CFA00128	NUT M16 NYLOC		1
22	CFA00127	NUT M16		1
23	CVA00567	GREASE BLOCK 10 WAY (MANUAL)		1
24	CGD00093	LEFT DOOR BACK MOUNT PANEL		1
25	CMH00906	BEARING ROLLER SLEEVE 50 ID		9
26	CMH00445	BEARING ROLLER SLEEVE 50 ID		1
27	CFA00648	GREASE FITTING TO BLOCK 1/8"		20
28	CZC02264	3MM L LIGHT BRACKET (F550)		2
29	CZE04224	5MM L ST BALER DOOR		1
30	CMH01066	WEAR STRIP 6X35X575		2
31	CFA00760	SETSCREW M6X10 CSK Z/P DIN 7991		8
32	ACH00170	HINGE ASSY BALER DOOR		2
33	CBR00051	BEARING GLACIER PM 170 X 25		1
34	CFA00118	GREASE NIPPLE M8X1.25 STRAIGHT		1
35	CMH00745	BUSH 12X25X25		10

Rear Door; ACH00856, Drive Side, Part 2:



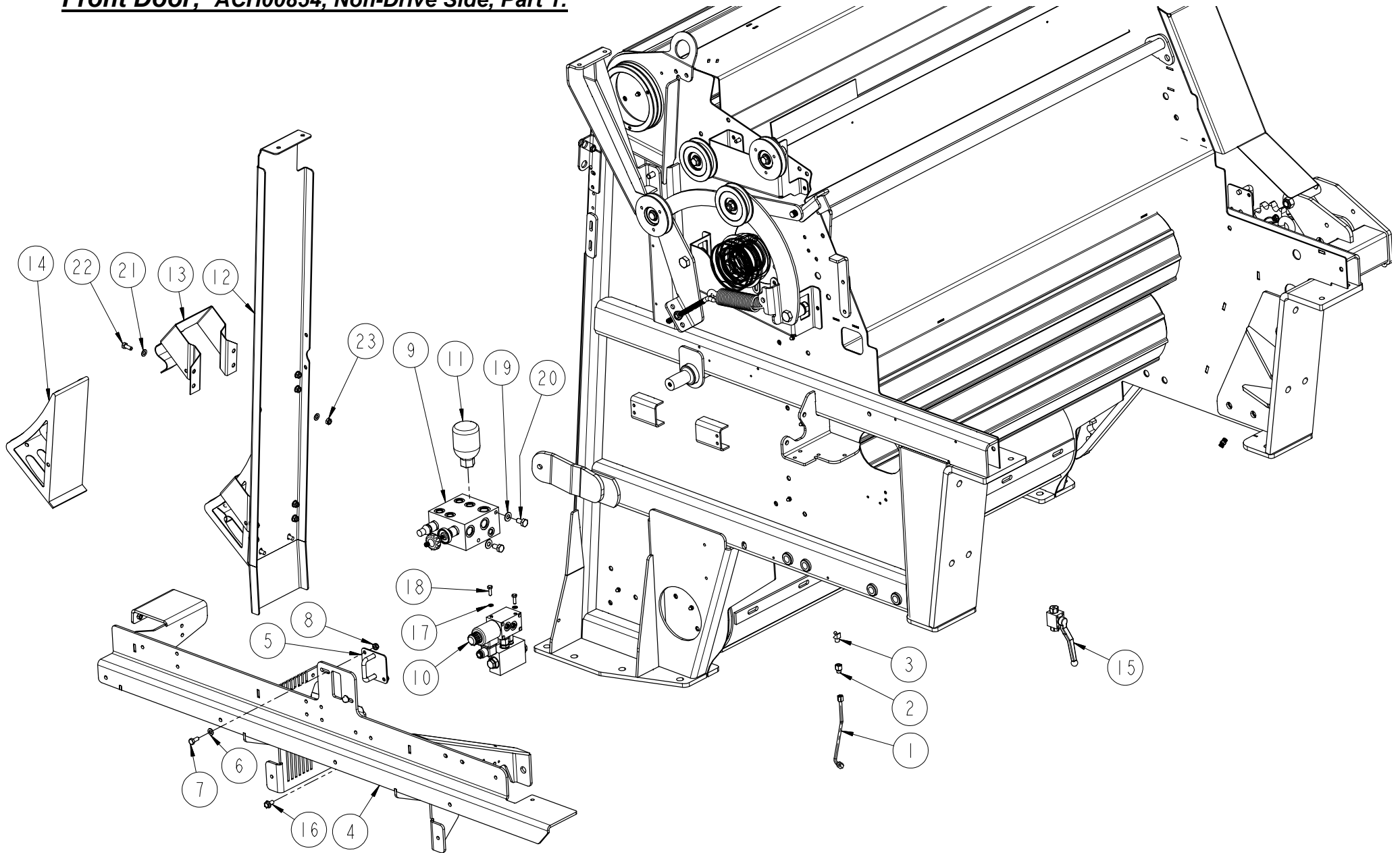
Item	Part Code	Description	Notes	Qty
36	CZF03176	6MM L SPRING BRACKET		1
37	CFA00132	NUT M8 NYLOC Z/P		14
38	CFA00251	WASHER SKM10		30
39	CFA00028	BOLT M10X65 Z/P		30
40	CFA00138	WASHER FLAT 12MM Z/P		24
41	CFA00549	GREASE FITTING 6MM X 1/8" 0°		8
42	CHY02342	GREASE PIPE 1 BACK DOOR DS		1
43	CHY02343	GREASE PIPE 2 BACK DOOR DS		1
44	CHY02344	GREASE PIPE 3 BACK DOOR DS		1
45	CFA00590	GREASE NIPPLE 1/8" BSP ST		10
46	CHY02345	GREASE PIPE 4 BACK DOOR DS		1
47	CHY02346	GREASE PIPE 5 BACK		1
48	CHY02347	GREASE PIPE 6 BACK		1
49	CHY02348	GREASE PIPE 7 BACK		1
50	CHY02349	GREASE PIPE 8 BACK		1
51	CHY02350	GREASE PIPE 9 BACK		1
52	CHY02351	GREASE PIPE 10 BACK		1
53	CFA00586	BOLT M12X60X10.9 FINDTHREAD ZP		10
54	CFA00417	NUT M12X1.5 NYLOC FINE THREAD		12
55	CFA00013	SPLIT PIN 5X50 Z/P		1
56	CFA00034	BOLT M12X90 Z/P		1
57	CFA00124	NUT M12 NYLOC		1
58	CFA00147	WASHER FLAT 8MM Z/P		14
59	CFA00099	SETSCREW M6X40 Z/P		4
60	CFA00102	SETSCREW M8X25 Z/P		4
61	CEL00077	REFLECTOR REAR RECTANGULAR		2
62	CFA00427	SETSCREW M6X16 BUTTON HEAD		4
63	CFA00144	WASHER FLAT 6MM Z/P		4
64	CFA00131	NUT M6 NYLOC		4

Rear Door; ACH00856, Non-Drive Side:



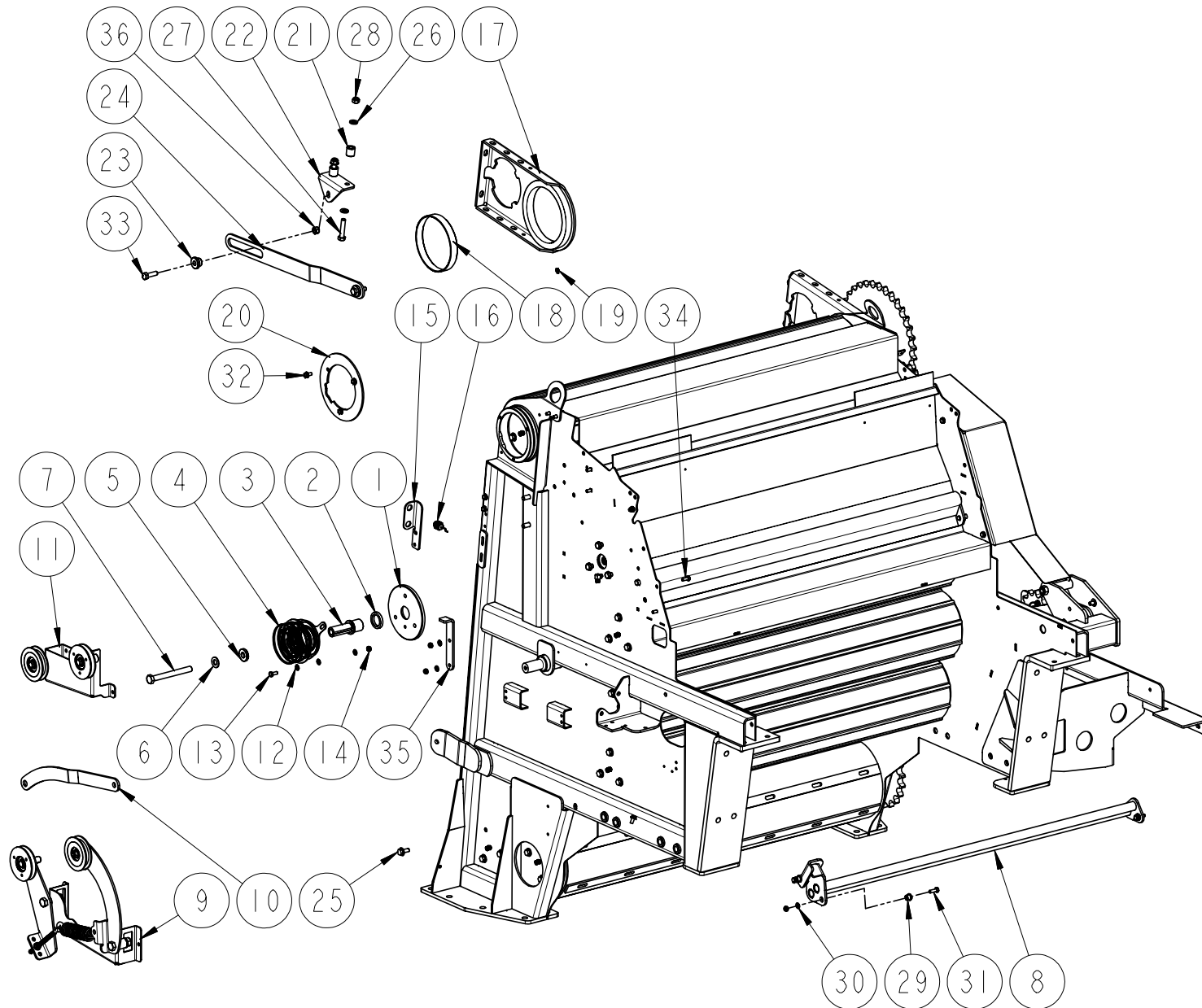
Item	Part Code	Description	Notes	Qty
1	ACH00541	BALER BACK DOOR WELD ASSY		1
2	CZB02204	1.5MM L TOP DOOR PANNEL PART		1
3	CZB02205	1.5MM L TOP DOOR PANNEL PART		1
5	CFA00590	GREASE NIPPLE 1/8" BSP ST		10
7	CZE00172	5MM L DOOR PLATE ST BALER		2
8	CZC02264	3MM L LIGHT BRACKET (F550)		2
11	CZC02263	3MM L BACK DOOR SUPPORT		1
12	ACH00170	HINGE ASSY BALER DOOR		2
13	CBR00051	BEARING GLACIER PM 170 X 25		1
14	CFA00118	GREASE NIPPLE M8X1.25 STRAIGHT		1
15	CMH00745	BUSH 12X25X25		10
16	CZF03173	6MM L CHASSIS PART S		1
17	CMH00771	BUSH 12X35 STEPPED		1
18	CFA00519	SETSCREW M8X16 FLD ZP		15
19	CFA00132	NUT M8 NYLOC Z/P		14
20	CFA00520	SETSCREW M10X25 FLD ZP		30
21	CFA00138	WASHER FLAT 12MM Z/P		24
33	CFA00586	BOLT M12X60X10.9 FINDTHREAD ZP		10
34	CFA00417	NUT M12X1.5 NYLOC FINE THREAD		12
35	CFA00297	BOLT M12X40 Z/P		1
36	CFA00506	SETSCREW M8X20 CUPHEAD SQ ZP		6
37	CFA00147	WASHER FLAT 8MM Z/P		14
39	CEL00077	REFLECTOR REAR RECTANGULAR		2
40	CFA00427	SETSCREW M6X16 BUTTON HEAD		4
41	CFA00144	WASHER FLAT 6MM Z/P		4
42	CFA00131	NUT M6 NYLOC		4

Front Door; ACH00854, Non-Drive Side, Part 1:



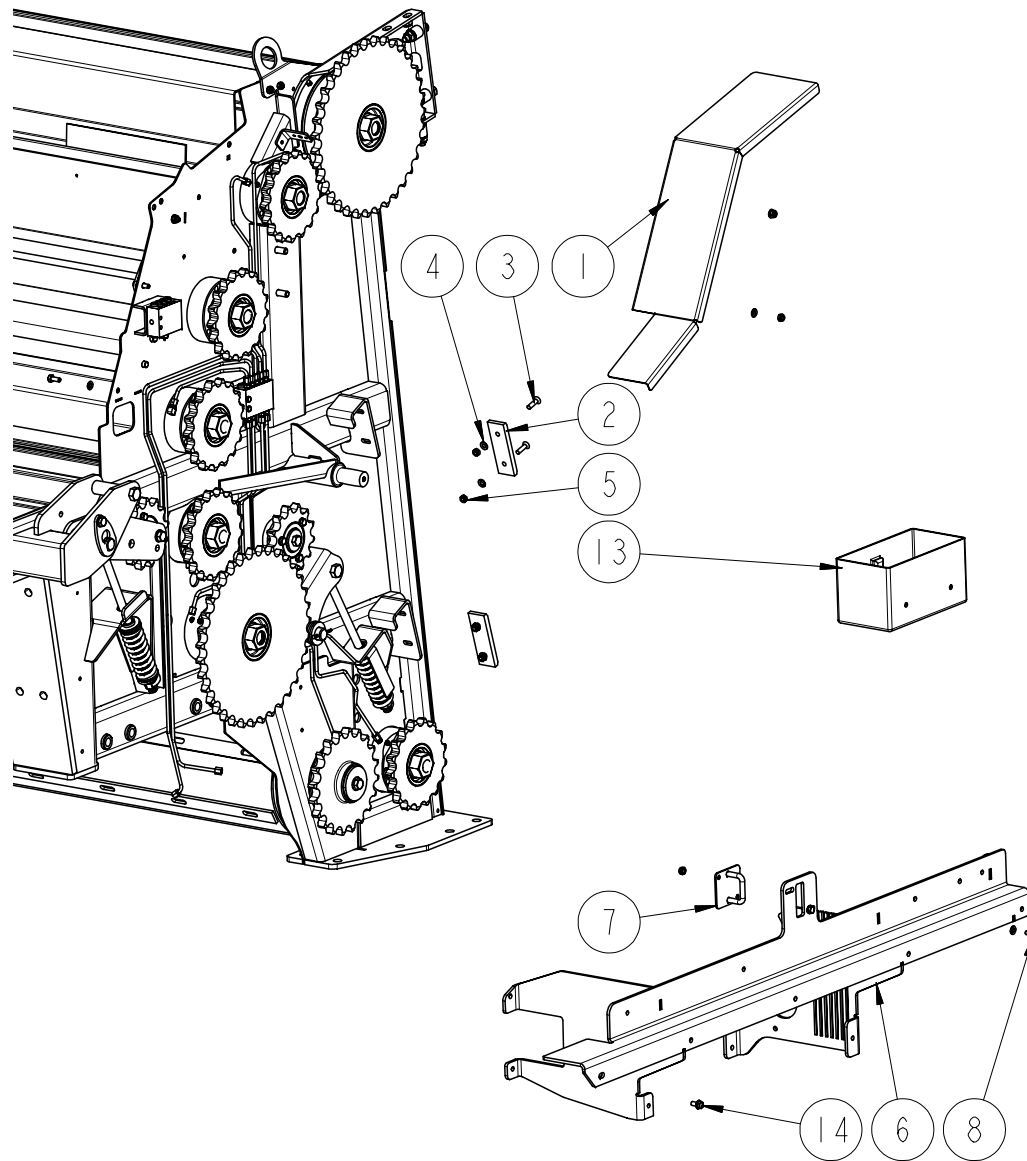
Item	Part Code	Description	Notes	Qty
1	CHY02555	GREASE PIPE ROTOR F540		1
2	CTP00315	GREASE PIPE ADAPTOR FITTING		1
3	CFA00776	GREASE NIPPLE M10X1.0 45 DEG		1
4	CGD00087	DOOR STRIKER ND ASSY ST BALER		1
5	ALA00138	PANEL LOCK ASSY		1
6	CFA00147	WASHER FLAT 8MM Z/P		2
7	CFA00052	SETSCREW M8X20 Z/P		2
8	CFA00132	NUT M8 NYLOC Z/P		2
9	CVA00273	DOOR KNIFE CONTROL V		1
10	CVA00274	FLOOR REEL CONTROL VALVE F550		1
11	CVA00151	ACCUMULATOR 0.15-0.16 L 30 BAR		1
12	CGD00165	PANNEL ASSY ST BALER		1
13	CTP00076	BRACKET FOR PARKING CHOCK		2
14	CTP00075	PARKING CHOCKS BALE		2
15	CVA00571	VALVE ON/OFF DN 06 BKH-G 1/4"		1
16	CFA00519	SETSCREW M8X16 FLD ZP		4
17	CFA00144	WASHER FLAT 6MM Z/P		2
18	CFA00115	SETSCREW M6X20 Z/P		2
19	CFA00251	WASHER SKM10		2
20	CFA00023	SETSCREW M10X20 Z/P		2
21	CFA00147	WASHER FLAT 8MM Z/P		16
22	CFA00052	SETSCREW M8X20 Z/P		5
23	CFA00132	NUT M8 NYLOC Z/P		8

Front Door; ACH00854, Non-Drive Side, Part 2:



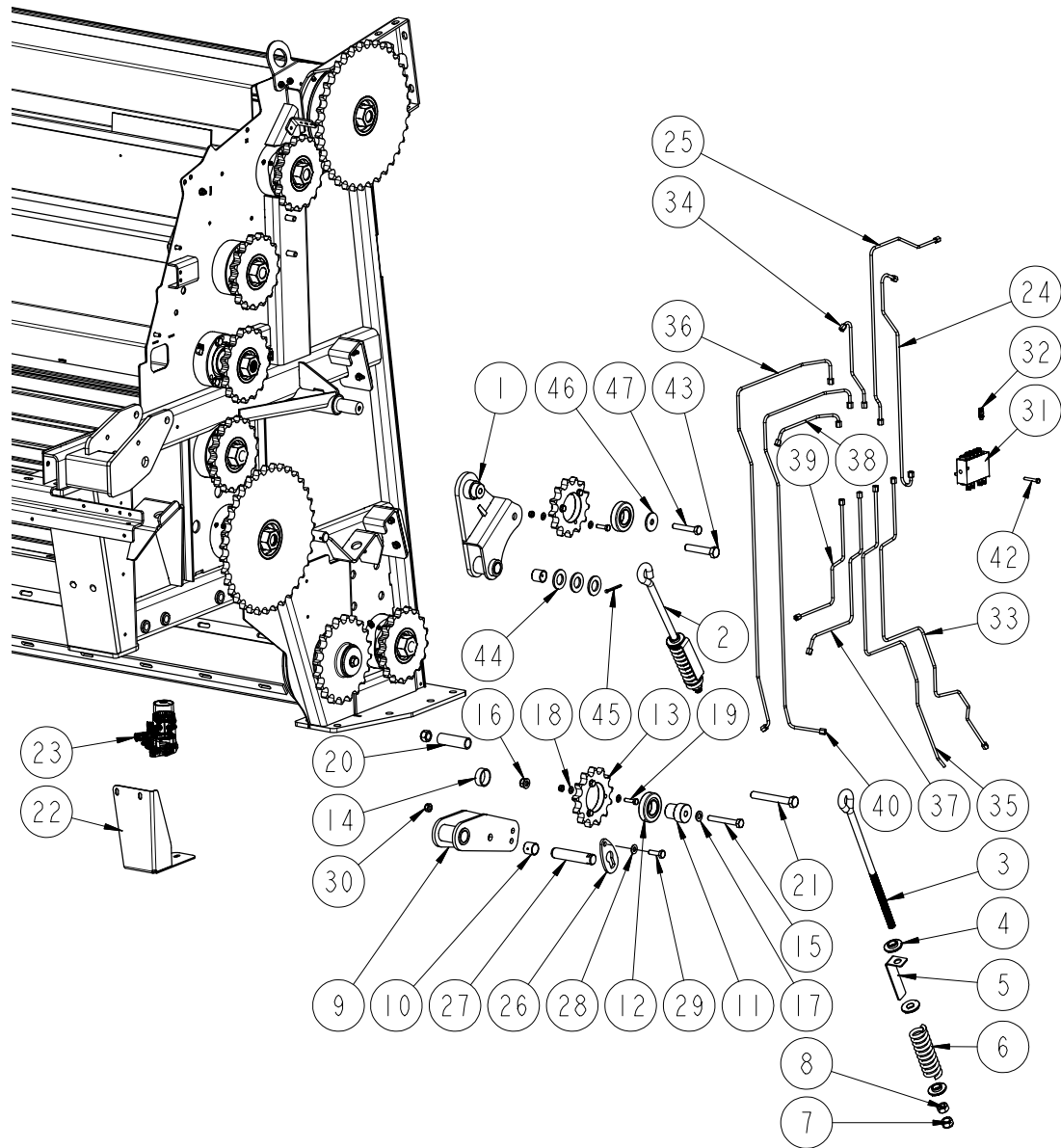
Item	Part Code	Description	Notes	Qty
1	CMH00493	FLANGE 40 X 170 X 10		1
2	CSE00098	RADIAL SHAFT SEAL 35 X 50 X 8		1
3	CMH02205	SHAFT 40X115 STEPPED		1
4	CEL00259	SHAFT MOUNTED		1
5	CMH02206	WASHER MACHINED ST BALER		1
6	CFA00252	WASHER SKM16		1
7	CFA00259	BOLT M16X150 Z/P		1
8	ALA00092	NEW TENSIONER BAR WELD ASSY		1
9	ALA00111	NET TENSION ASSY		1
10	CZF03919	6MM L NET TENSION LINK ARM		1
11	ALA00211	NET PULLEY WHEEL COMP ASSY		1
12	CFA00147	WASHER FLAT 8MM Z/P		2
13	CFA00052	SETSCREW M8X20 Z/P		1
14	CFA00132	NUT M8 NYLOC Z/P		1
15	CZD03001	4MM L PROXIMITY SWITCH BRCKT.		1
16	CEL00616	SENSOR ASSY PROX 18MM NPN		1
17	ACH00170	HINGE ASSY BALER DOOR		2
18	CBR00051	BEARING GLACIER PM 170 X 25		1
19	CFA00118	GREASE NIPPLE M8X1.25 STRAIGHT		1
20	CZE00131	5MM L BALER DOOR HINGE PART		2
21	CMH00745	BUSH 12X25X25		2
22	CZF03173	6MM L CHASSIS PART S		1
23	CMH00771	BUSH 12X35 STEPPED		2
24	CZF04576	6MM L NET RESET ARM ST BALER		1
25	CFA00520	SETSCREW M10X25 FLD ZP		18
26	CFA00138	WASHER FLAT 12MM Z/P		18
27	CFA00586	BOLT M12X60X10.9 FINE THREAD ZP		6
28	CFA00417	NUT M12X1.5 NYLOC FINE THREAD		9
29	CMH00742	BUSH 8X20X13 Z/P		2
30	CFA00147	WASHER FLAT 8MM Z/P		14
31	CFA00102	SETSCREW M8X25 Z/P		5
32	CFA00519	SETSCREW M8X16 FLD ZP		13
33	CFA00297	BOLT M12X40 Z/P		2
34	CFA00052	SETSCREW M8X20 Z/P		4
35	CZF03922	6MM L NET BAR STOP S		1
36	CFA00124	NUT M12 NYLOC		1

Front Door; ACH00854, Drive Side, Part 1:



Item	Part Code	Description	Notes	Qty
1	CZB02325	1.5MM L CHAIN GUARD		1
2	CMH00769	WEAR STRIP 15X40X120		2
3	CFA00593	SETSCREW M8X30 CSK ZP		4
4	CFA00147	WASHER FLAT 8MM Z/P		4
5	CFA00132	NUT M8 NYLOC Z/P		4
6	CGD00086	DOOR STRIKER DS ASSY		1
7	ALA00138	PANEL LOCK ASSY		1
8	CFA00052	SETSCREW M8X20 Z/P		2
13	CPL00045	TOOLBOX PLAS 270X151X13		1
14	CFA00519	SETSCREW M8X16 FLD ZP		4

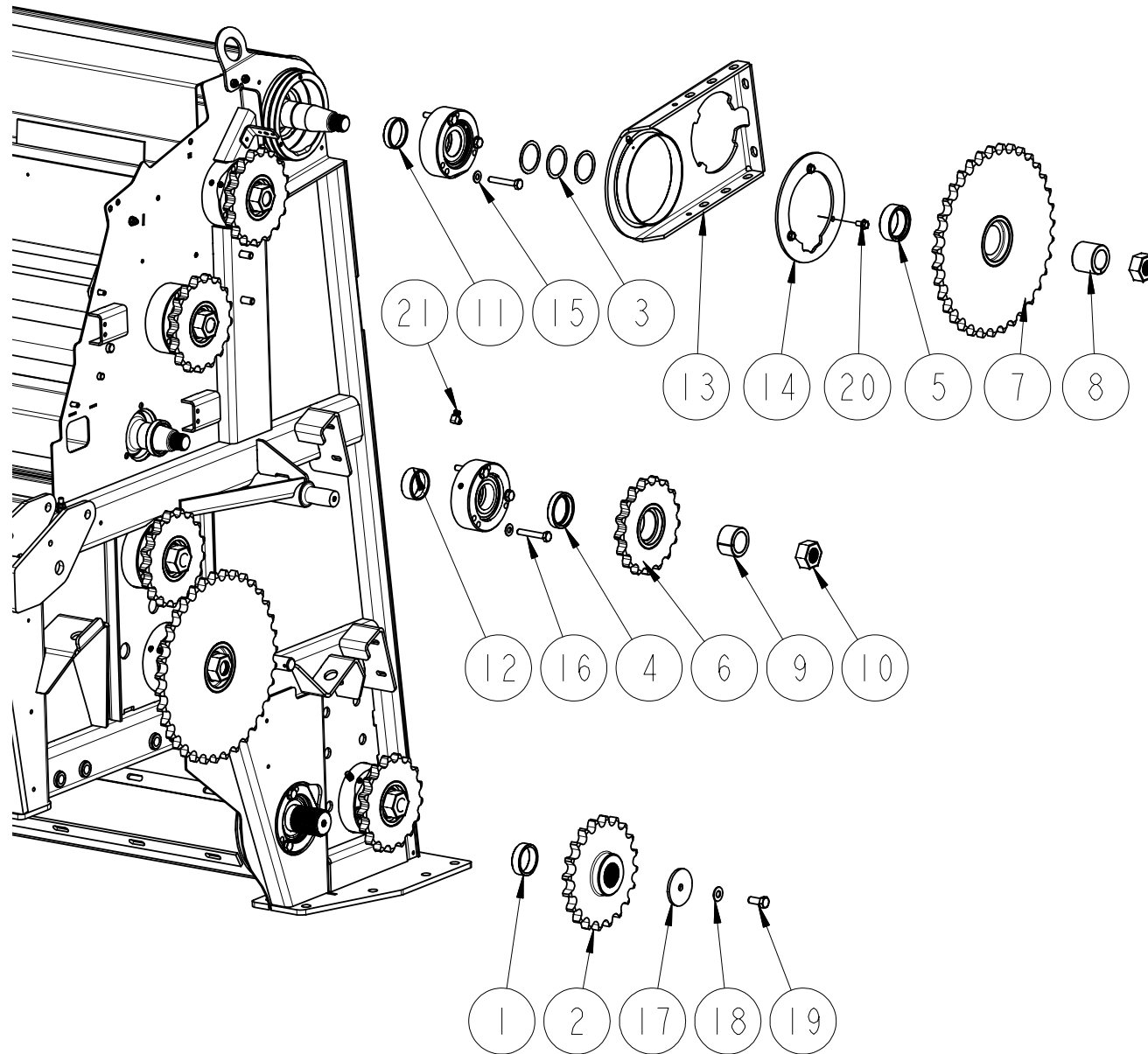
Front Door; ACH00854, Drive Side, Part 2:



Item	Part Code	Description	Notes	Qty
1	ACH00550	CHAIN TENSIONER WELD ASSY		1
2	ACH00437	FRONT CHAIN ADJ.COMP		2
3	CFA00672	EYE BOLT 16MM TENSIONER		1
4	CMH00464	BUSH 45X17X10 STEPPED 25		3
5	CZC02057	3MM L CHAIN TENSIONER		1
6	CSG00025	SPRING COMPX8.5X44.8		1
7	CFA00128	NUT M16 NYLOC		1
8	CFA00127	NUT M16		1
9	ACH00439	CHAIN TENSIONER WELD ASSY M.D.		1
10	CBR00039	BEARING GLACIER PM 2525 DX		2
11	CMH00467	BUSH 45X12.5X52 STEPPED 35		1
12	CBR00062	BEARING RADIAL 6207LLU (SKF)		1
13	CMH00463	SPROCKET 1 1/4" 13 TOOTH		1
14	CXT00185	TUBE 42.4X3X15		1
15	CFA00034	BOLT M12X90 Z/P		1
16	CFA00124	NUT M12 NYLOC		1
17	CFA00138	WASHER FLAT 12MM Z/P		2
18	CFA00147	WASHER FLAT 8MM Z/P		6
19	CFA00316	BOLT M8X30 Z/P		3
20	CXT00291	TUBE 26.9X83		1
21	CFA00209	BOLT M16X120 Z/P		1
22	CZC02298	3MM L BEKA PUMP BRAC		1
23	CVA00564	BEKA OIL PUMP		1
24	CHY02486	GREASE PIPE10 FRONT		1
25	CHY02487	GREASE PIPE11 FRONT		1
26	CZF00292	6MM L CAP LONG FOR 25MM PINS		1
27	CMH00387	PIN 25 X 120 MILLED FOR CAP		1
28	CFA00201	WASHER FLAT 10 MM Z/P		2
29	CFA00016	BOLT M10X35		1
30	CFA00123	NUT M10 NYLOC		1
31	CVA00567	GREASE BLOCK 10 WAY (MANUAL)		1
32	CFA00648	GREASE FITTING TO BLOCK 1/8"		10
33	CHY02361	GREASE PIPE 2 FRONT DOOR DS		1
34	CHY02362	GREASE PIPE 3 FRONT DOOR DS		1
35	CHY02363	GREASE PIPE 4 FRONT DOOR DS		1
36	CHY02364	GREASE PIPE 5 FRONT DOOR DS		1
37	CHY02365	GREASE PIPE 6 FRONT DOOR DS		1
38	CHY02367	GREASE PIPE 8 FRONT DOOR DS		1
39	CHY02368	GREASE PIPE 9 FRONT DOOR DS		1

Item	Part Code	Description	Notes	Qty
40	CHY02366	GREASE PIPE 7 FRONT DOOR DS		1
42	CFA00099	SETSCREW M6X40 Z/P		2
43	CFA00043	BOLT M16X80		1
44	CFA00135	WASHER FLAT 1" Z/P		3
45	CFA00013	SPLIT PIN 5X50 Z/P		1
46	CZD02186	4MM L WASHER 50X13X4		1
47	CFA00592	BOLT M12X70 Z/P		1

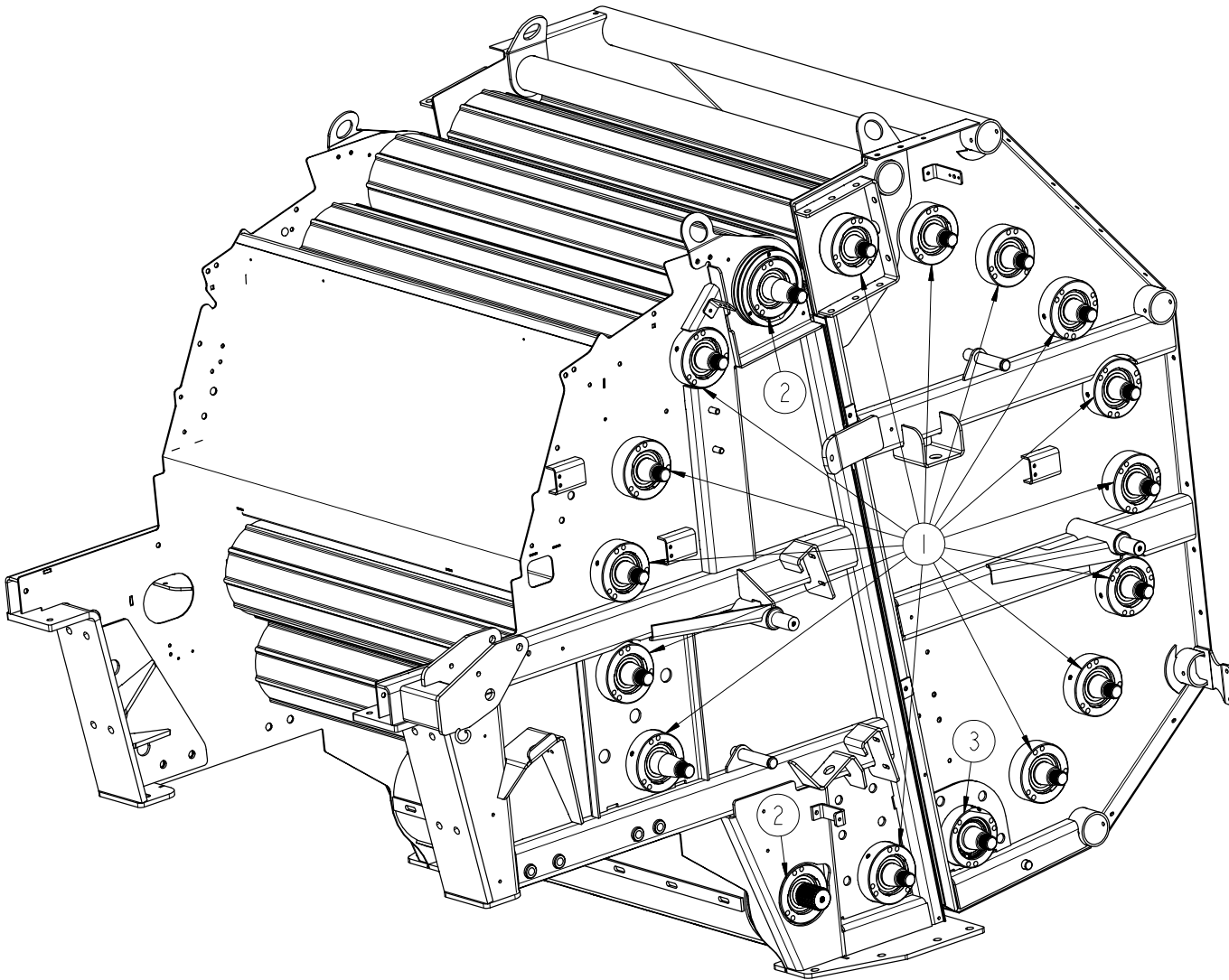
Front Door; ACH00854, Drive Side, Part 3:



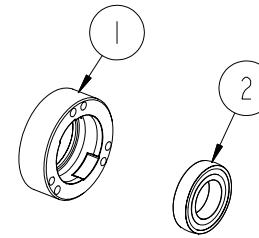
Item	Part Code	Description	Notes	Qty
1	CMH00812	BUSH 50X60X17		1
2	CMH00708	SPROCKET 1 1/4" PITCH 20T		1
3	CFA00048	SHIM 50X62X1.0		12
4	CMH00510	BUSH 50X68X12.5 STEP		6
5	CMH00736	BUSH 50X68X25 STEPPED 58		2
6	ART00081	1 1/4" PITCH 17 T SPROCKET ASY		5
7	ART00087	SPROCKET ASSY BOTTOM DOOR		2
8	CMH00508	BUSH 36X58X47 TAPPER		2
9	CMH00507	BUSH 39X56X33 TAPPER		5
10	CFA00401	NUT M30X2 FINE THREAD		7
11	CMH00445	BEARING ROLLER SLEEVE 50 ID		4
12	CMH00906	BEARING ROLLER SLEEVE 50 ID		2
13	ACH00170	HINGE ASSY BALER DOOR		1
14	CZE00131	5MM L BALER DOOR HINGE PART		1
15	CFA00251	WASHER SKM10		18
16	CFA00028	BOLT M10X65 Z/P		18
17	CZE00115	BALE SPLITTER WASHER		1
18	CFA00250	WASHER SKM12		1
19	CFA00032	SETSCREW M12X30 Z/P		1
20	CFA00519	SETSCREW M8X16 FLD ZP		3
21	CFA00543	6MM X 1/8" 90° GREASE FITTING		1

Baling Chamber Roller Bearings:

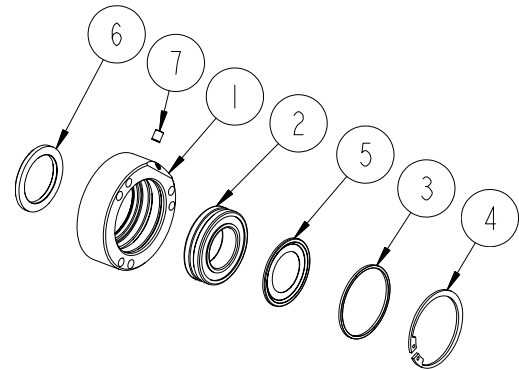
Roller Bearing Locations



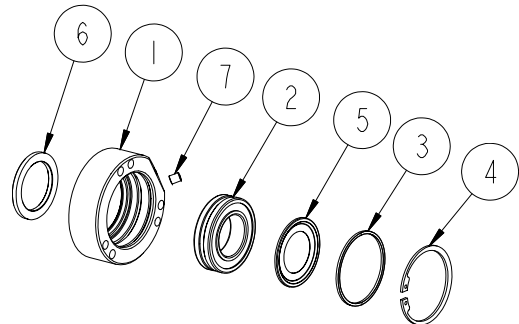
1. ART00301



2. ART00051



3. ART00088



Roller Bearing Locations

Item	Part Code	Description	Notes	Qty
1	ART00301	BEARING ROLLER COMP ASSY		15
2	ART00051	BEARING ROLLER COMP ASSY		2
3	ART00088	BEARING ROLLER COMP ASSY		1

1. ART00301

Item	Part Code	Description	Notes	Qty
1	CMH00905	BUSH 90X135X46 BEARING HOUSING		1
2	CBR00083	BEARING 1726210-2RS RADIAL		1

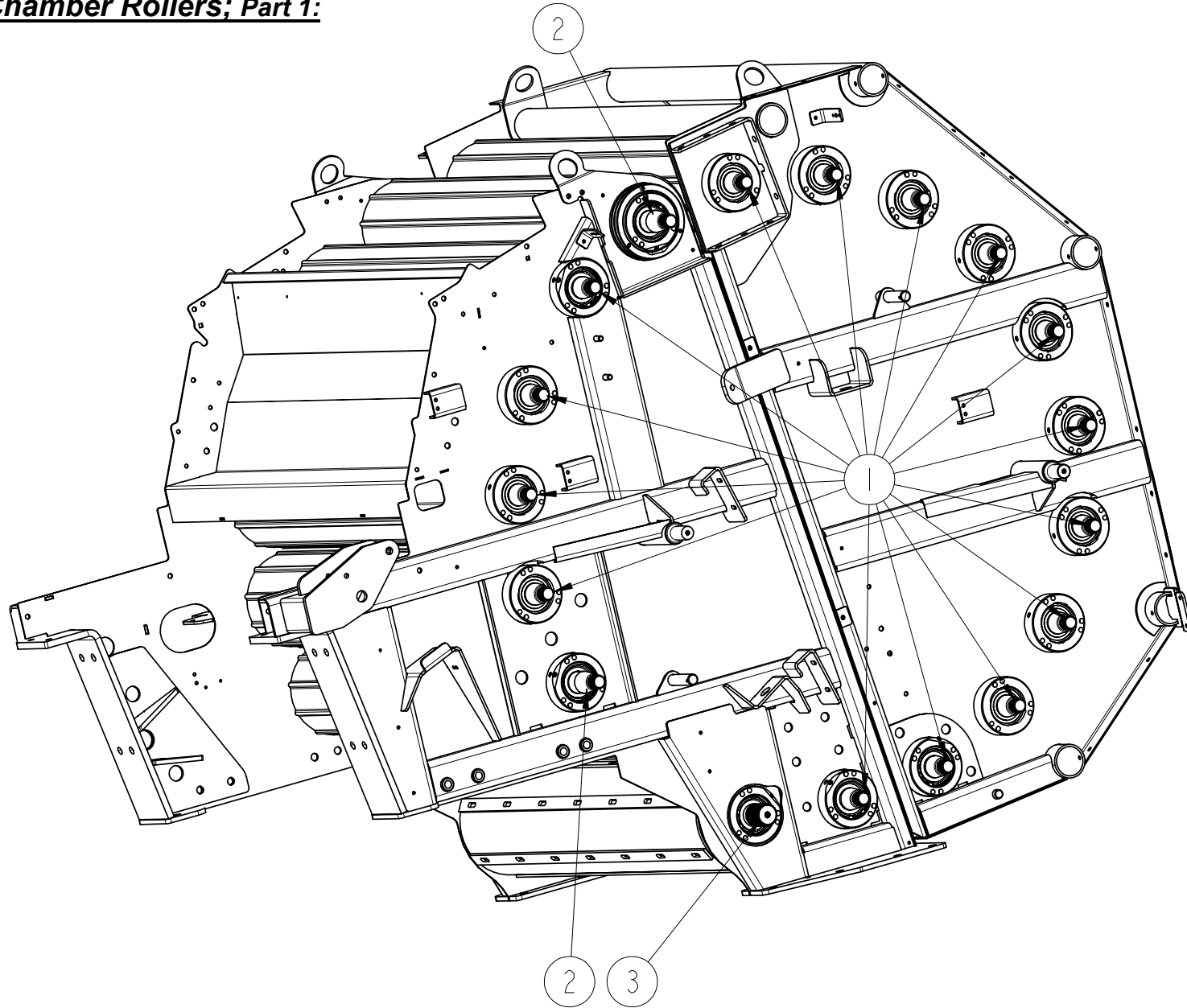
2. ART00051

Item	Part Code	Description	Notes	Qty
1	CMH00511	BUSH 90X135X46 BEARING HOUSING		1
2	CBR00060	BEARING SPHERICAL SKF 2210CC		1
3	CZC02063	3MM L BEARING RETAINER RING		1
4	CFA00452	CIRCLIP 95MM INTERNAL		1
5	CBR00061	NILOS-RING 6210AV		1
6	CSE00099	SEAL OIL 58X80X8		1
7	CFA00559	GRUBSCREW M10X12		1

3. ART00088

Item	Part Code	Description	Notes	Qty
1	CMH00511	BUSH 90X135X46 BEARING HOUSING		1
2	CBR00060	BEARING SPHERICAL SKF 2210CC		1
3	CZC02063	3MM L BEARING RETAINER RING		1
4	CFA00452	CIRCLIP 95MM INTERNAL		1
5	CBR00061	NILOS-RING 6210AV		1
6	CSE00099	SEAL OIL 58X80X8		1
7	CFA00559	GRUBSCREW M10X12		1

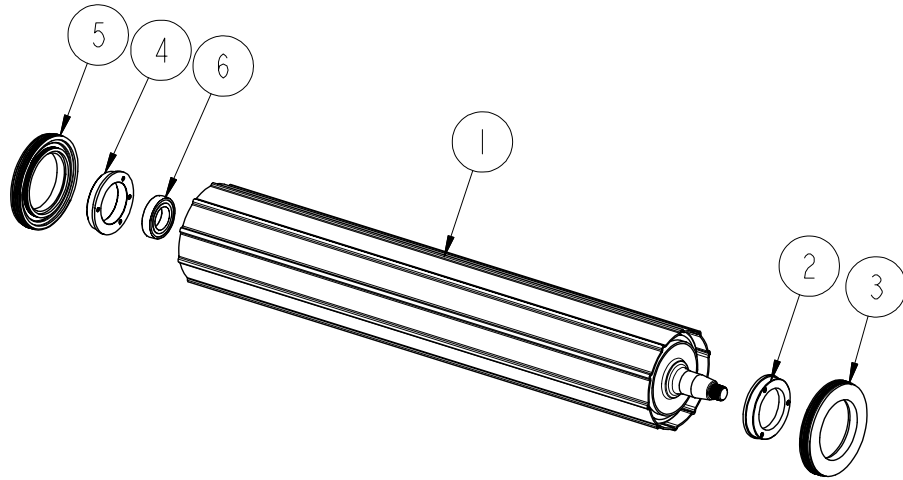
Baling Chamber Rollers; Part 1:



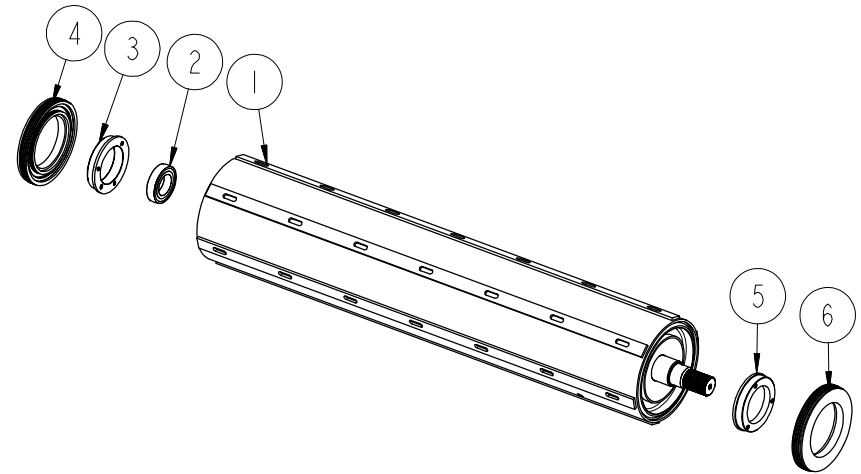
Item	Part Code	Description	Notes	Qty
1	ARC00030	BALER ROLLER STD COMP. ASSY.		15
2	ARC00028	BALER ROLLER 3 BOLT FLANGE		2
3	ARC00034	FRONT CHAMBER ROLLER		1

Baling Chamber Rollers; Part 2:

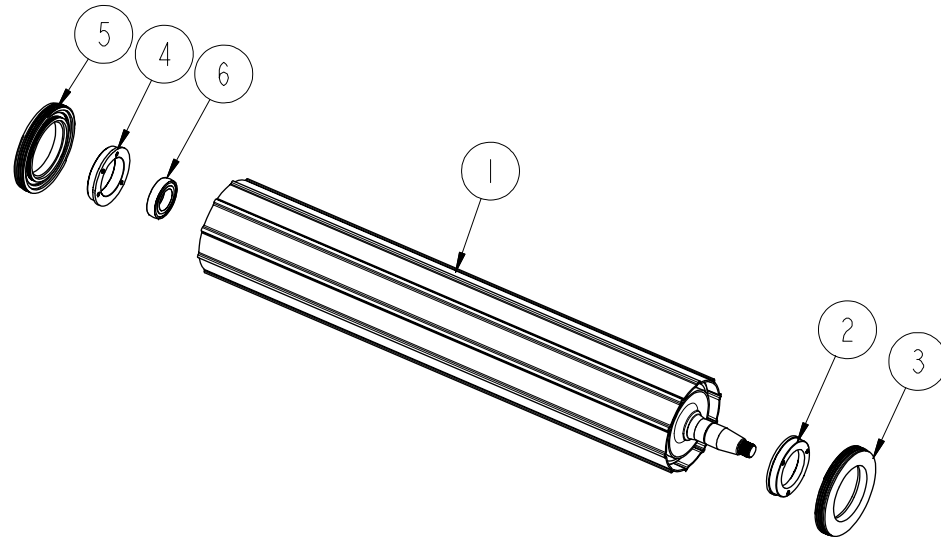
Roller, Short Shaft Type, ARC00030: QTY X 15.



Roller, Large, ARC00034: QTY X 1.



Roller, Long Shaft Type, ARC00028: QTY X 2.



Roller, Short Shaft Type, ARC00030: QTY X 15.

Item	Part Code	Description	Notes	Qty
1	ARC00029	ROLLER STD SHFT WELD ASY		1
2	CMH00696	FLANGE 90X140X25 MACHINED		1
3	CPL00052	NYLON SEAL ROLLER DRIVE SIDE		1
4	CMH00697	FLANGE 90X145X25 MACHINED		1
5	CPL00053	NYLON SEAL ROLLER NON DRIVE		1
6	CBR00083	BEARING 1726210-2RS RADIAL		1

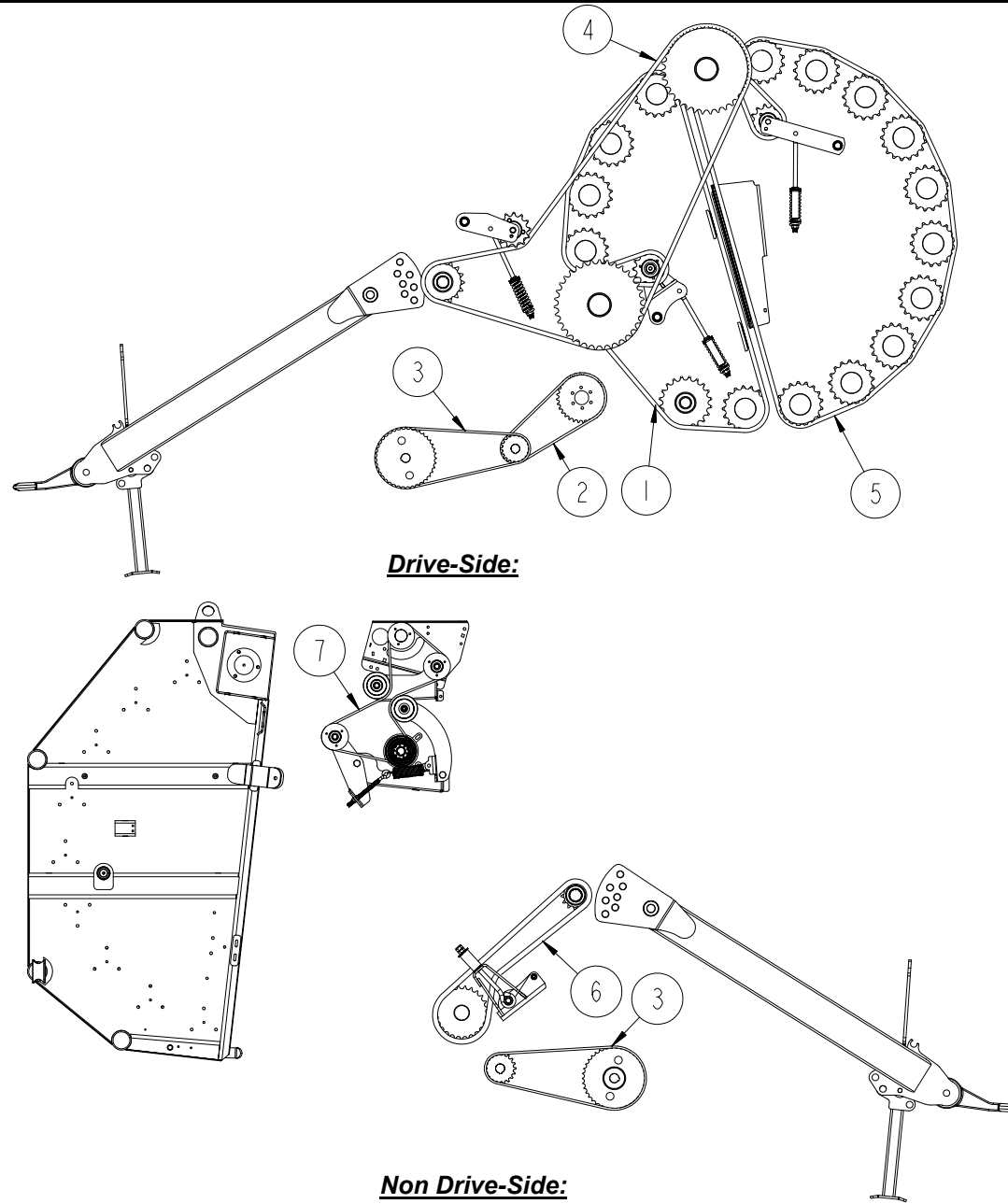
Roller, Large, ARC00034: QTY X 1.

Item	Part Code	Description	Notes	Qty
1	ARC00033	FRONT CHAMB. ROLLER WELD ASSY		1
2	CBR00083	BEARING 1726210-2RS RADIAL		1
3	CMH00697	FLANGE 90X145X25 MACHINED		1
4	CPL00053	NYLON SEAL ROLLER NON DRIVE		1
5	CMH00696	FLANGE 90X140X25 MACHINED		1
6	CPL00052	NYLON SEAL ROLLER DRIVE SIDE		1

Roller, Long Shaft Type, ARC00028: QTY X 2.

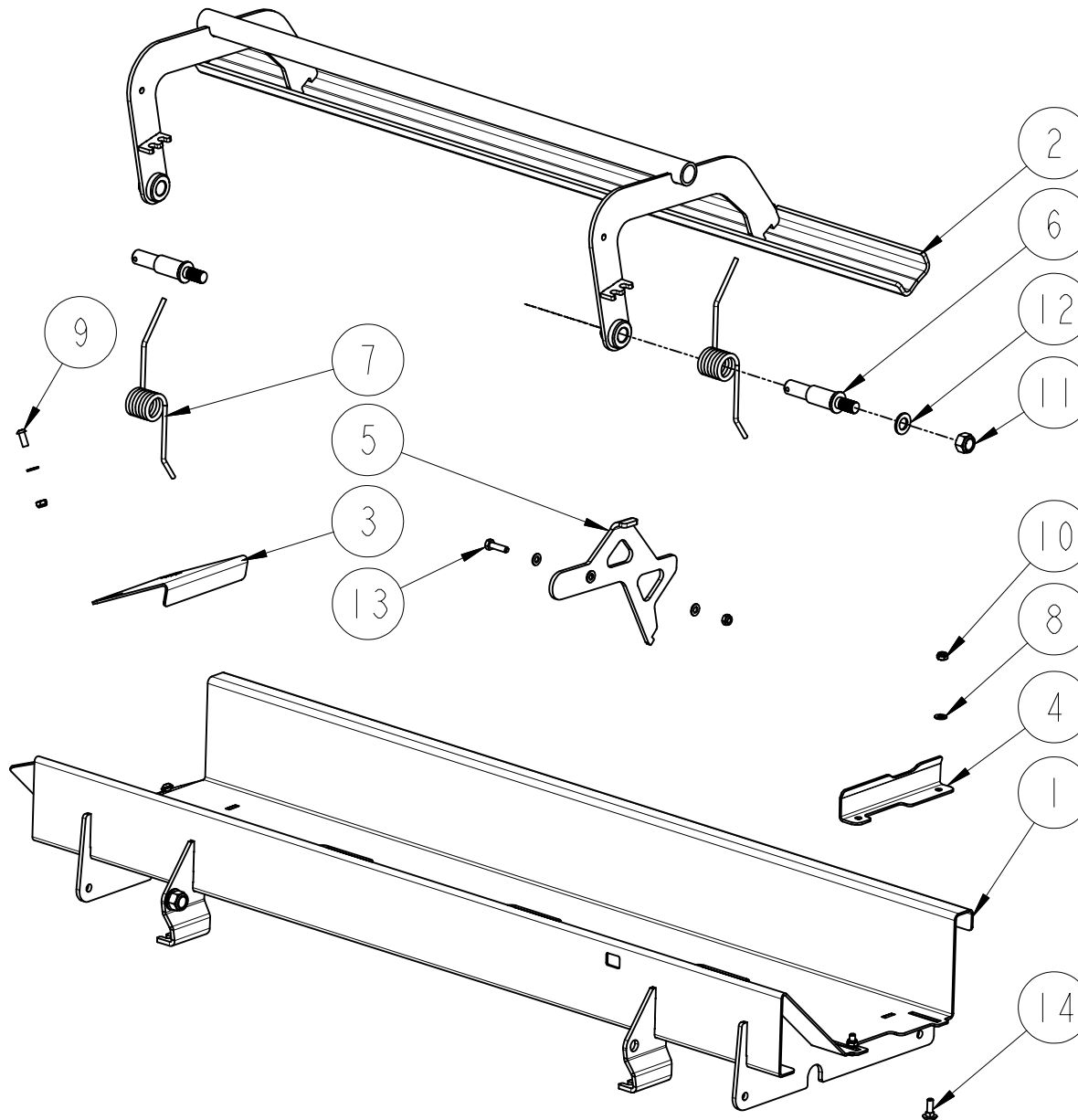
Item	Part Code	Description	Notes	Qty
1	ARC00023	ROLLER WELD LONG SHFT AS		1
2	CMH00696	FLANGE 90X140X25 MACHINED		1
3	CPL00052	NYLON SEAL ROLLER DRIVE SIDE		1
4	CMH00697	FLANGE 90X145X25 MACHINED		1
5	CPL00053	NYLON SEAL ROLLER NON DRIVE		1
6	CBR00083	BEARING 1726210-2RS RADIAL		1

Chains & Belts:



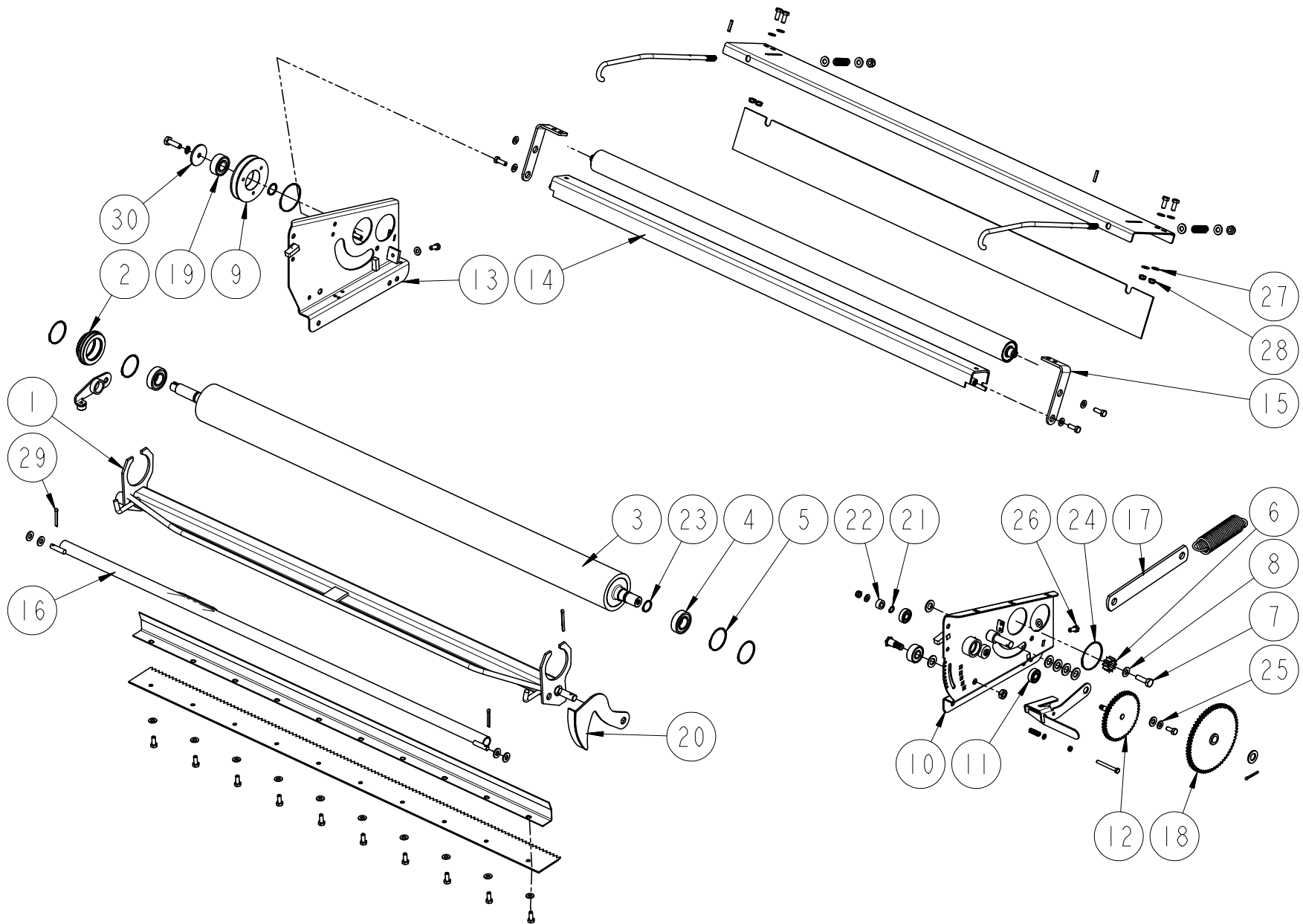
Item	Part Code	Description	Notes	Qty
1	CCH02037	CHAIN 20B 136 LINKS INCL LINK		1
2	CCH02025	CHAIN ASA60H 3/4" 62 INC LINK		1
3	CCH02026	CHAIN ASA60H 3/4" 78 INC LINK		2
4	CCH00052	CHAIN 100H 126 PITCHES+CON LINK		1
5	CCH00049	CHAIN 20B 158 PITCHES INC LINK		1
6	CCH00051	CHAIN 16B2 70 PITCHES INC LINK		1
7	CBE00163	CHAIN BELT V A66		1

Net Box Assembly; ACH00914:



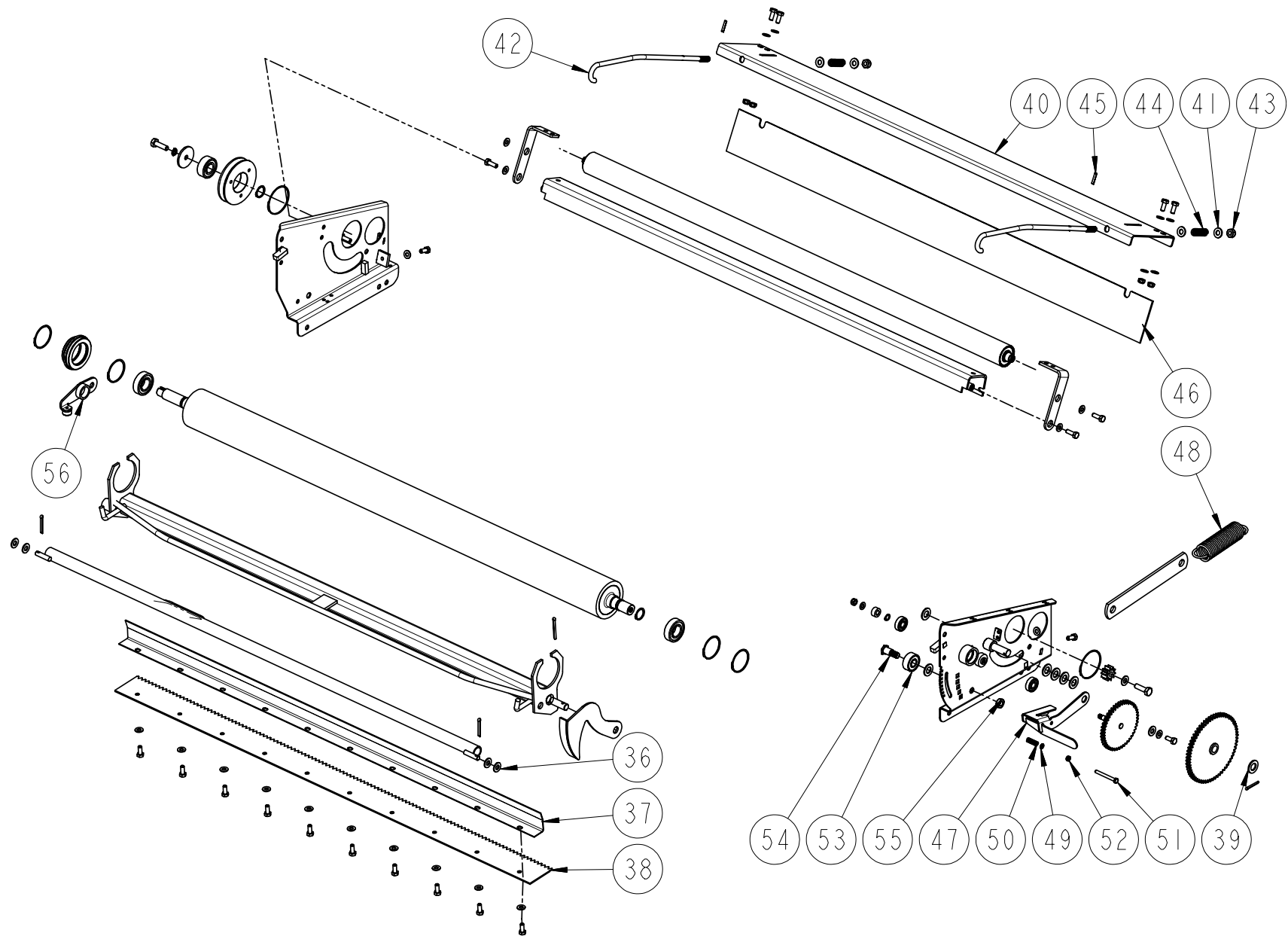
Item	Part Code	Description	Notes	Qty
1	ACH00912	NET BOX WELD ASSY FU		1
2	ACH00913	NET BOX BRAKE ASSY F		1
3	CZC02248	3MM L NET CARRIER PA		1
4	CZC03270	3MM L NET BOX PART		1
5	CZF04602	6MM L NET BRAKE BAR PART		1
6	CMH00418	PIN 20X30X125 STEPPED&M16		2
7	CSG00012	SPRING TOR 5.893X41X46.55X6.9		2
8	CFA00147	WASHER FLAT 8MM Z/P		9
9	CFA00429	SETSCREW M8X20 BUTTON HEAD		2
10	CFA00132	NUT M8 NYLOC Z/P		5
11	CFA00128	NUT M16 NYLOC		2
12	CFA00140	WASHER FLAT 16MM Z/P		2
13	CFA00316	BOLT M8X30 Z/P		1
14	CFA00591	BOLT M8X25 CUP SQ Z/P		2

Netter Unit; ACH00919 Part 1:



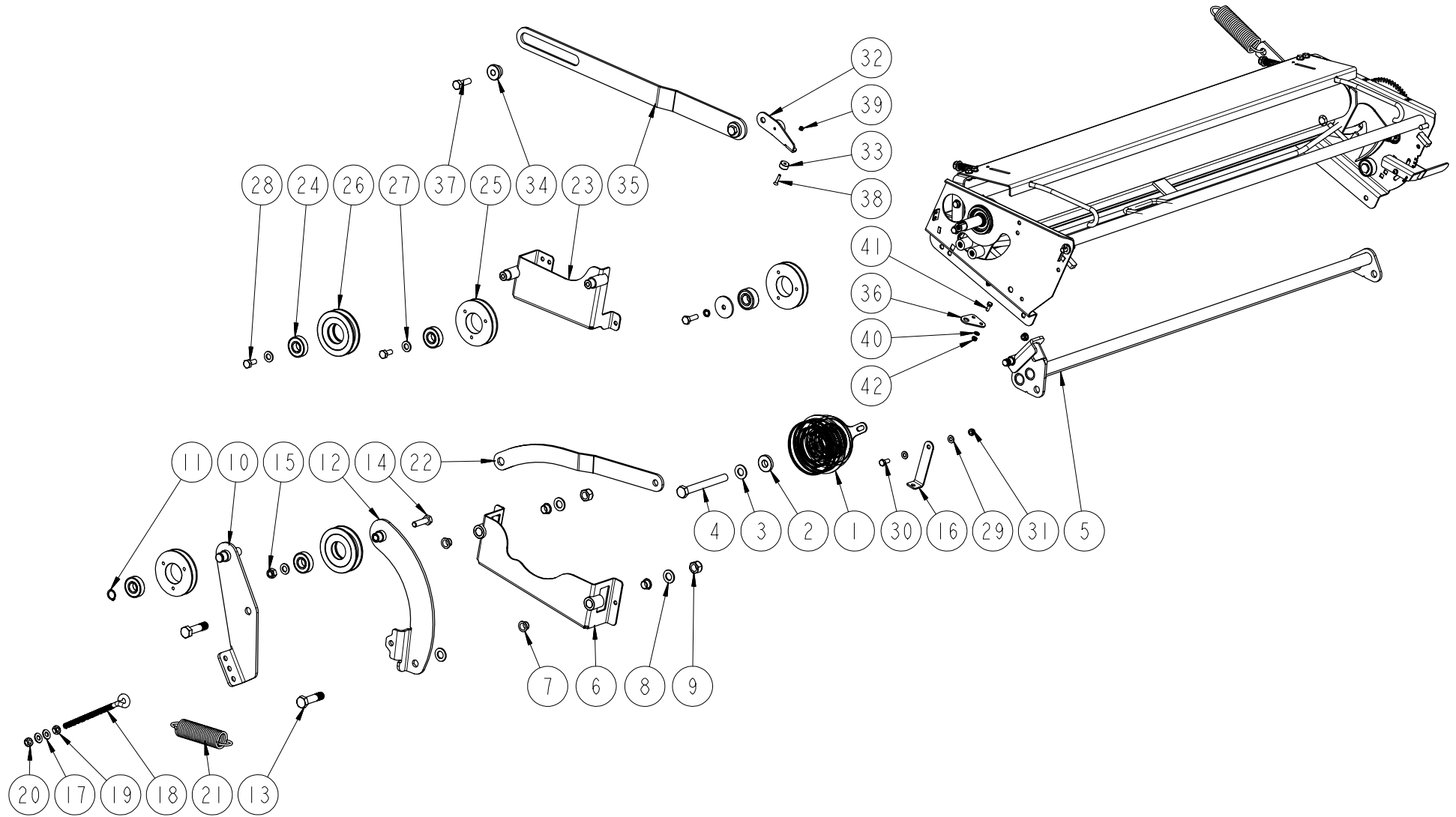
Item	Part Code	Description	Notes	Qty
1	ACH00281	KNIFE HOLDER ASSY. (NET UNIT)		1
2	CMH00786	BUSH 52X80X25 STEPPED&CIRCLIP		2
3	ARC00044	ROLLER NET UNIT (LARGE)		1
4	CBR00009	BEARING 6205 2RS		2
5	CFA00461	CIRCLIP 52MM INTERNAL		4
6	CMH00603	GEAR SPUR MOD 2.5 10 TOOTH		1
7	CFA00016	BOLT M10X35		2
8	CFA00251	WASHER SKM10		1
9	CMH00596	V BELT PULLEY WHEEL		1
10	ACH00278	NET UNIT (LEFT) WELD ASSY.		1
11	CBR00067	BEARING 6201		2
12	ACH00279	PLATEWHEEL ASSY. NET UNIT		1
13	ACH00277	NET UNIT (RIGHT) WELD ASSY.		1
14	ACH00282	SMALL NET ROLLER GUARD		1
15	CZE00136	5MM L NET UNIT BRACKET		2
16	ACH00280	NET UNIT LOCK BAR ASSY.		1
17	CZF04577	6MM L NET UNIT LINK ARM PART		1
18	ARC00050	SPROCKET 64/12 TOOTH ASSY		1
19	CBR00084	BEARING SEALED SPRAG CLUTCH		1
20	ACH00369	NET RELEASE UNIT ASSY.		1
21	CFA00499	CIRCLIP 10MM EXTERNAL		1
22	CMH00705	BUSH 10X25X10 NYLON		1
23	CFA00001	CIRCLIP 25MM EXTERNAL Z/P		2
24	CFA00501	CIRCLIP 65MM EXTERNAL		2
25	CFA00249	WASHER SKM8		17
26	CFA00052	SETSCREW M8X20 Z/P		17
27	CFA00147	WASHER FLAT 8MM Z/P		7
28	CFA00132	NUT M8 NYLOC Z/P		5
29	CFA00475	SPLIT PIN 5X40 Z/P		2
30	CZD00121	4MM L CUT & TIE SPACER Z/P		1

Netter Unit; ACH00919, Part 2:



Item	Part Code	Description	Notes	Qty
31	CFA00137	WASHER SPRING 10MM H.D Z/P		1
32	CFA00102	SETSCREW M8X25 Z/P		4
33	CFA00222	WASHER FLAT 14MM Z/P		6
34	CFA00556	SPLIT PIN 6X50 Z/P		1
35	CFA00450	SPLIT PIN 4 X36 Z/P		1
36	CFA00201	WASHER FLAT 10 MM Z/P		5
37	CZB02093	1.5MM L KNIFE GUARD PEICE		1
38	CKN00013	KNIFE FOR NET UNIT VERSION 2		1
39	CFA00140	WASHER FLAT 16MM Z/P		1
40	CZC02215	3MM L DIRT COVER FOR NET UNIT		1
41	CFA00201	WASHER FLAT 10 MM Z/P		4
42	CXR00117	ROD 10MM X 430 THREADED		2
43	CFA00123	NUT M10 NYLOC		2
44	CSG00033	SPRING COMP 2.5WDX15ODX9 COIL		2
45	CFA00199	ROLL PIN 5X25 Z/P		2
46	CBE00032	CANVIS NET ROLLER COVER		1
47	ACH00666	NETTER UNIT HANDLE ASSEMBLY		1
48	CSG00017	SPRING EXT 4.47X40.6X176X26		1
49	CFA00641	WASHER FLAT 6MM NYLON		1
50	CSG00049	SPRING COMP 1.6X11.6X30X10		1
51	CFA00054	SETSCREW M6X60 Z/P		1
52	CFA00131	NUT M6 NYLOC		1
53	CBR00081	BEARING CAM INA LR 5202 NPPU		1
54	CMH00672	BOLT SHOULDER 3/4" H		1
55	CFA00446	NUT M12 HEXAGON LOCK/HALF NUT		1
56	CEL00252	MAGNET BRACKET ASSY ST BALER		1

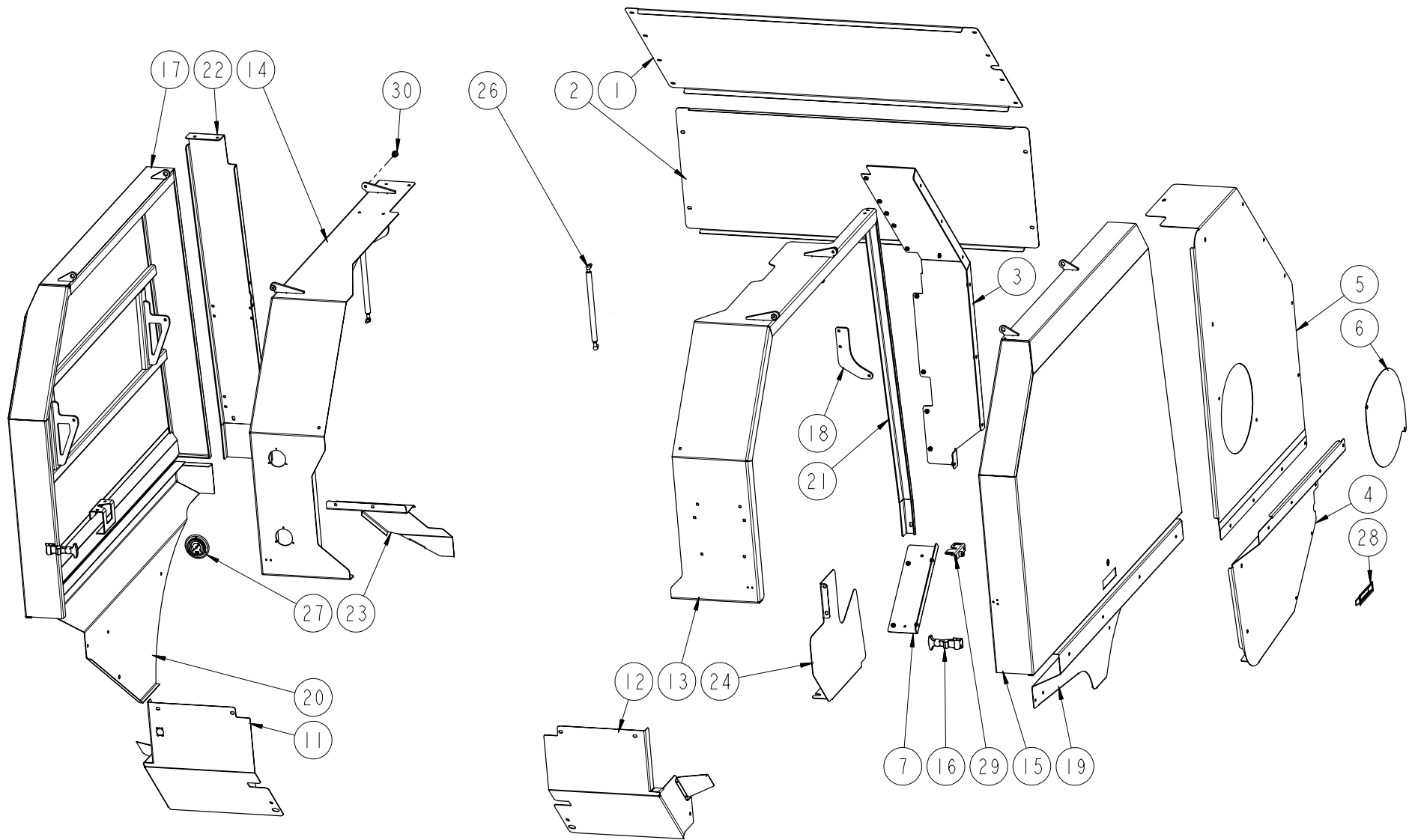
Net Tensioner:



Item	Part Code	Description	Notes	Qty
1	CEL00259	SHAFT MOUNTED		1
2	CMH02206	WASHER MACHINED ST BALER		1
3	CFA00252	WASHER SKM16		1
4	CFA00259	BOLT M16X150 Z/P		1
5	ALA00092	NEW TENSIONER BAR WELD ASSY		1
6	ALA00110	NET TENSION WELD		1
7	CBR00118	BEARING STEPPED PLAS 16X18X12		4
8	CFA00140	WASHER FLAT 16MM Z/P		3
9	CFA00128	NUT M16 NYLOC		2
10	ALA00112	BELT TENSION ARM		1
11	CFA00339	CIRCLIP 20MM EXTERNAL		1
12	ALA00114	BELT TENSION ARM WEL		1
13	CMH00528	BOLT M16X65 MACHINED		1
14	CFA00065	SETSCREW M12X45 Z/P		1
15	CFA00124	NUT M12 NYLOC		1
16	CZC03114	3MM L NET CLUTCH PAR		1
17	CFA00201	WASHER FLAT 10 MM Z/P		2
18	CFA00680	BOLT EYE M10X195		1
19	CFA00008	NUT M10		1
20	CFA00123	NUT M10 NYLOC		1
21	CSG00017	SPRING EXT 4.47X40.6X176X26		1
22	CZF03919	6MM L NET TENSION LINK ARM		1
23	ALA00210	NET PULLEY WHEEL WELD ASSY		1
24	CBR00020	BEARING 6204 2RS		2
25	CMH00596	V BELT PULLEY WHEEL		1
26	CMH00611	PULLEY 85MM OD GROVED		1
27	CFA00138	WASHER FLAT 12MM Z/P		2
28	CFA00024	SETSCREW M10X25 Z/P		2
29	CFA00147	WASHER FLAT 8MM Z/P		2
30	CFA00052	SETSCREW M8X20 Z/P		1
31	CFA00132	NUT M8 NYLOC Z/P		1
32	CEL00252	MAGNET BRACKET ASSY ST BALER		1
33	CEL00059	MAGNET 20 X 10 260369		1
34	CMH00771	BUSH 12X35 STEPPED		2
35	CZF04576	6MM L NET RESET ARM ST BALER		1
36	CZC03093	3MM L SENSOR BRACKET ST BALER		1
37	CFA00297	BOLT M12X40 Z/P		2
38	CFA00608	SETSCREW M5X25 CSK HEAD SS		1
39	CFA00348	NUT M5 NYLOC SS		1

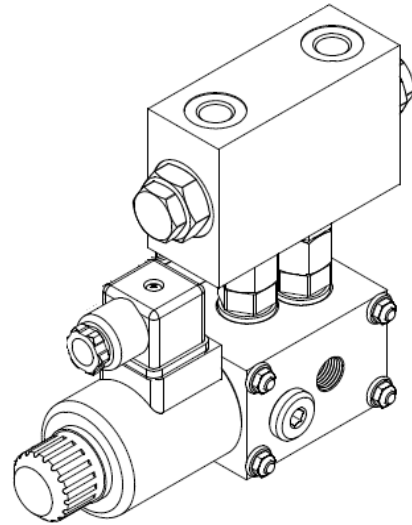
Item	Part Code	Description	Notes	Qty
40	CFA00144	WASHER FLAT 6MM Z/P		4
41	CFA00045	SETSCREW M6X16		2
42	CFA00131	NUT M6 NYLOC		2

Panels:

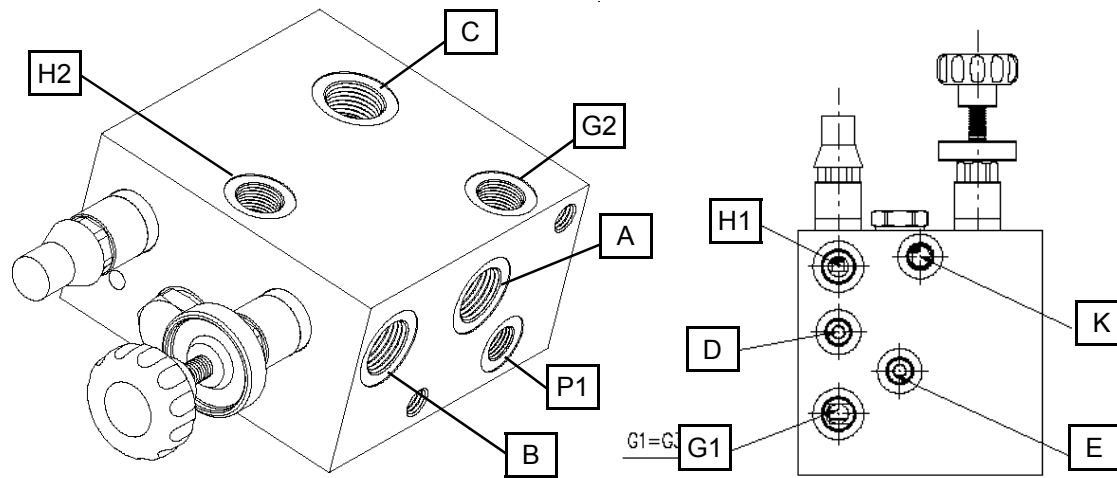


Item	Part Code	Description	Notes	Qty
1	CZB02204	1.5MM L TOP DOOR PANNEL PART		1
2	CZB02205	1.5MM L TOP DOOR PANNEL PART		1
3	ACH00669	DOOR GUARD PART ST B		1
4	CGD00067	GUARD BALER BACK DOOR LOWER		1
5	CGD00068	GUARD BALER BACK DOOR UPPER		1
6	CZB02209	1.5MM L GUARD PART ST BALER		2
7	CGD00092	F550 BACK DOOR BOTTOM GUARD		1
11	CGD00080	GUARD ASSY GEARBOX S		1
12	CGD00081	GUARD ASSY GEARBOX ST BALER		1
13	CGD00082	GUARD ASSY FRONT LEFT		1
14	CGD00164	GUARD ASSY FRONT RIGHT		1
15	CGD00084	GUARD ASSY LEFT ST BALER		1
16	CFA00607	BONNET CATCHER		1
17	CGD00085	GUARD ASSY RIGHT ST BALER		1
18	CZF02803	6MM L DOOR STRUT BRACKET		3
19	CZB02248	1.5MM L SIDE GUARD ST BALER		1
20	CZB02249	1.5MM L SIDE GUARD S		1
21	CZC03065	3MM L GUARD PART ST BALER		1
22	CGD00165	PANNEL ASSY ST BALER		1
23	CZB00133	1.5MM L CHAIN GUARD		1
24	CZB02281	1.5MM L CHAIN GUARD		1
26	CRA00171	GAS STRUT		4
27	CHY00133	GAUGE PRESSURE 63DIA FLANGE		1
28	CPL00058	HANDLE INSERT BALER DOOR		2
29	CFA00518	CAMLOC BALER DOOR		2
30	CMH00742	BUSH 8X20X13 Z/P		4

Hydraulic System; Valve Assembly Fittings:



CVA00274



CVA00273

CVA00274

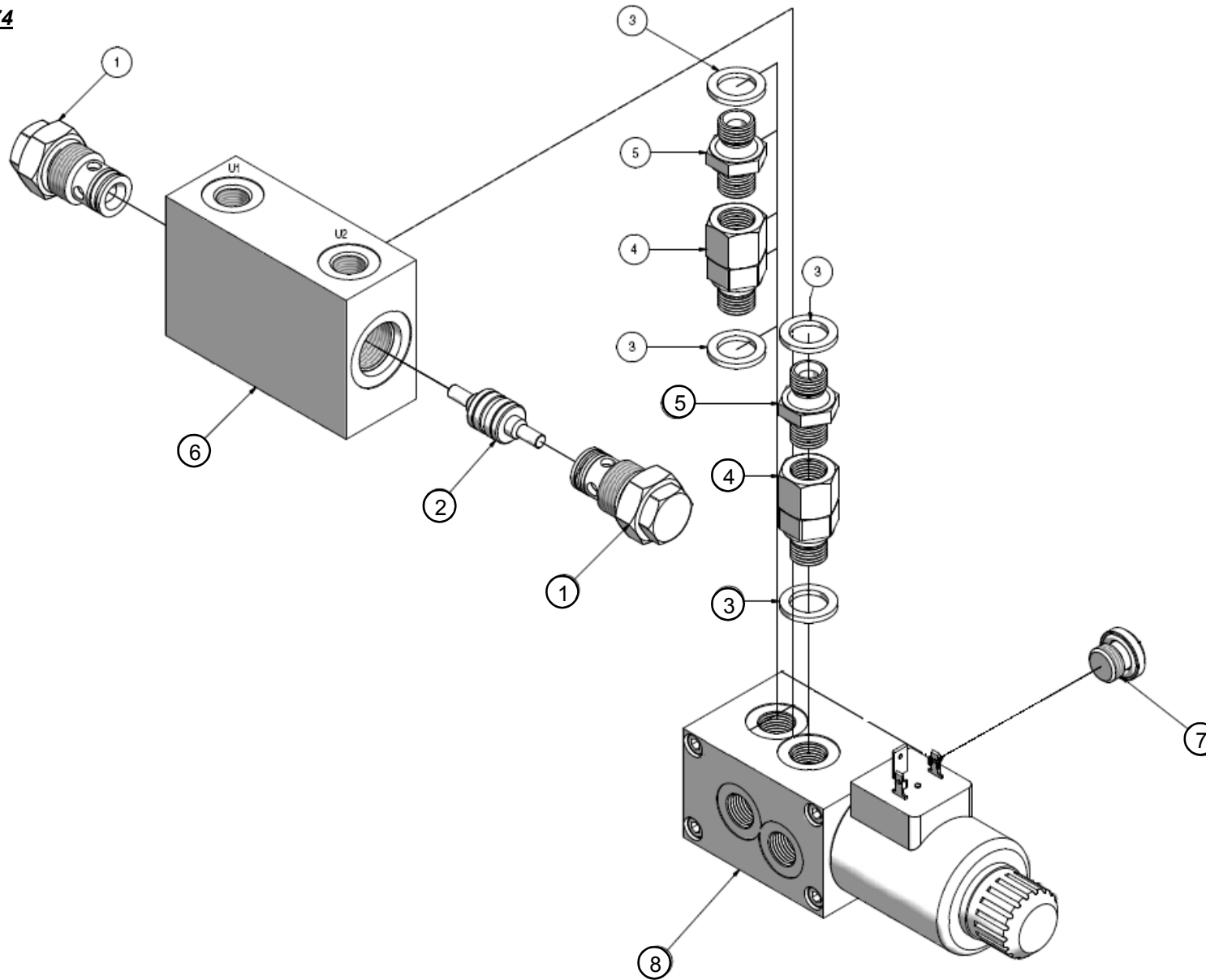
Port	Part Code	Description	Dowty Seals
ALL	CHY02010	1/4" - 1/4" M/M ADAPTOR	CHY02015

CVA00273

Port	Part Code	Description	Dowty Seals
A	CHY02008	1/2" - 3/8" M/M ADAPTOR	CHY00053
B	CHY02008	1/2" - 3/8" M/M ADAPTOR	CHY00053
P1	CHY02010	1/4" - 1/4" M/M ADAPTOR	CHY02015
C	CHY02013	1/2" - 1/2" M/M ADAPTOR	CHY00053
G2	CHY02002	3/8" - 3/8" M/M ADAPTOR	CHY00020
H2	CHY02002	3/8" - 3/8" M/M ADAPTOR	CHY00020
D	CHY02010	1/4" - 1/4" M/M ADAPTOR	CHY02015
G1	CHY02002	3/8" - 3/8" M/M ADAPTOR	CHY00020
H1	CHY02002	3/8" - 3/8" M/M ADAPTOR	CHY00020
E	CHY02010	1/4" - 1/4" M/M ADAPTOR	CHY02015
K	CHY02010	1/4" - 1/4" M/M ADAPTOR	CHY02015

Hydraulic System; Valve Assemblies Part 1:

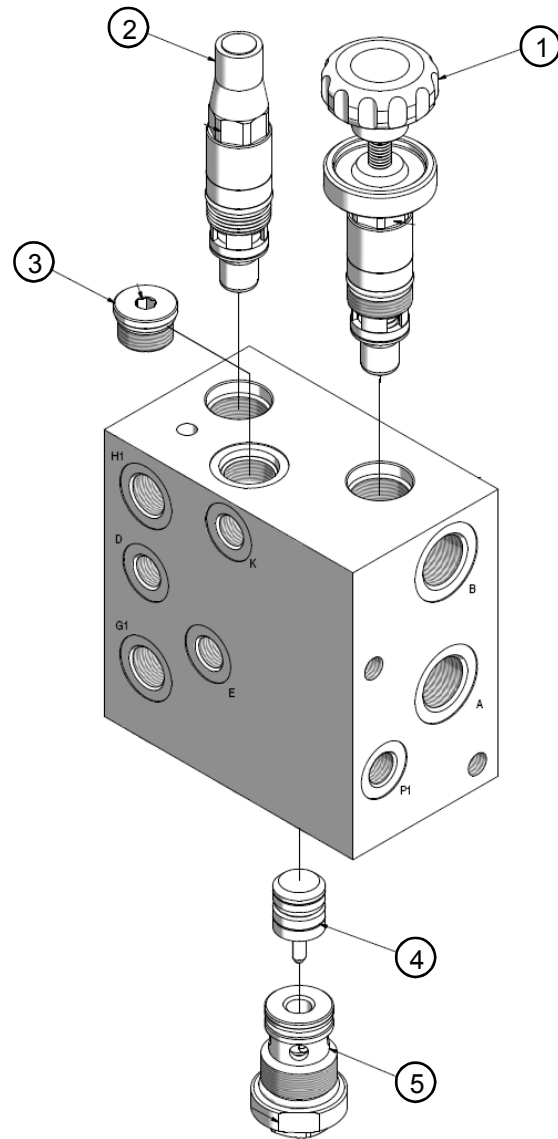
CVA00274



Item	Part Code	Description	Notes	Qty
1	CVA00243	CHECK VALVE CARTRIDGE		4
2	CVA10015	HYD PISTON		2
3	CHY00015	WASHER DOWTY 1/4"		8
4	CHY02553	1/4" M - FM ADAPTOR		4
5	CHY02010	ADAPTOR 1 1/4" BSP M/M		4
6	CHY02553	VALVE BLOCK		2
7	CHY02554	1/4" BLANKING CAP		1
8	CVA00318	VALVE DIVERTER 1/4" 6WAY DFE080		2

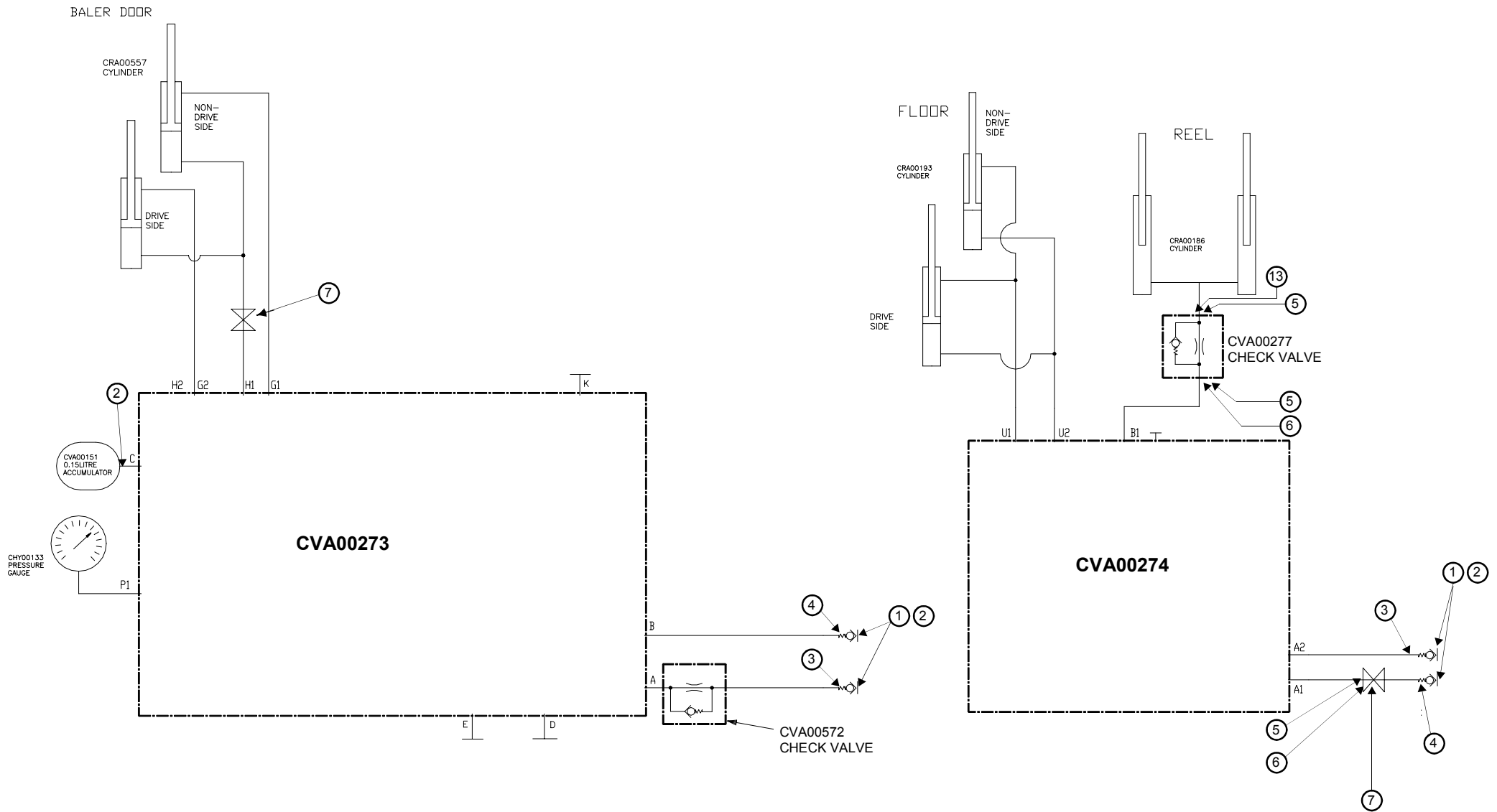
Hydraulic System; Valve Assemblies, Part 2:

CVA00273



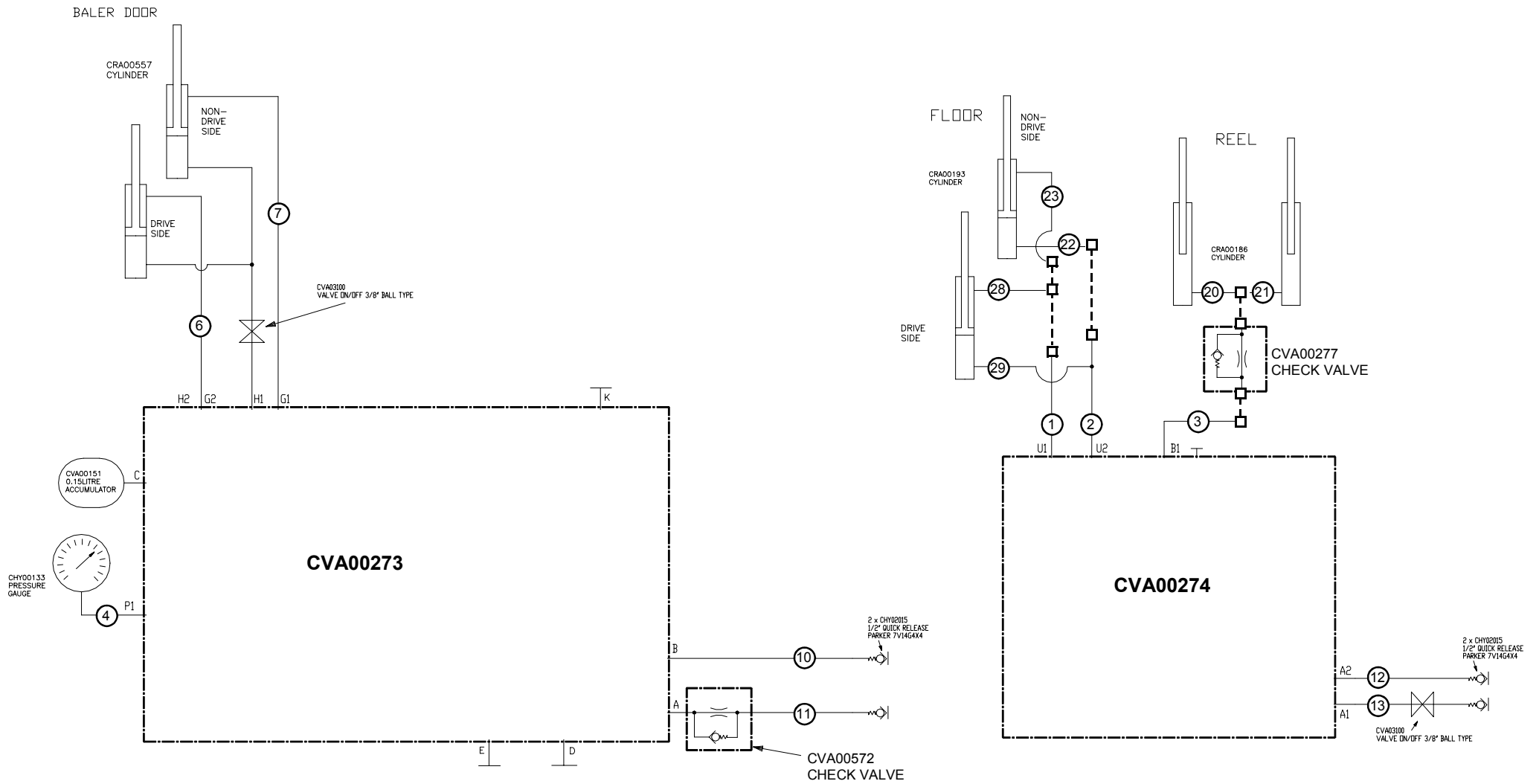
Item	Part Code	Description	Notes	Qty
1	CVA00320	VALVE CTE RELIEF HAND KNOB		1
2	CVA00560	RELIEF VALVE ASSY		1
3	CVA00557	BLANKING CAP 1/4" (OLEOSTAR)		1
4	CVA00562	PISTON		1
5	CVA00269	CHECK VALVE CARTRIDGE		1

Hydraulic System; Fitting:



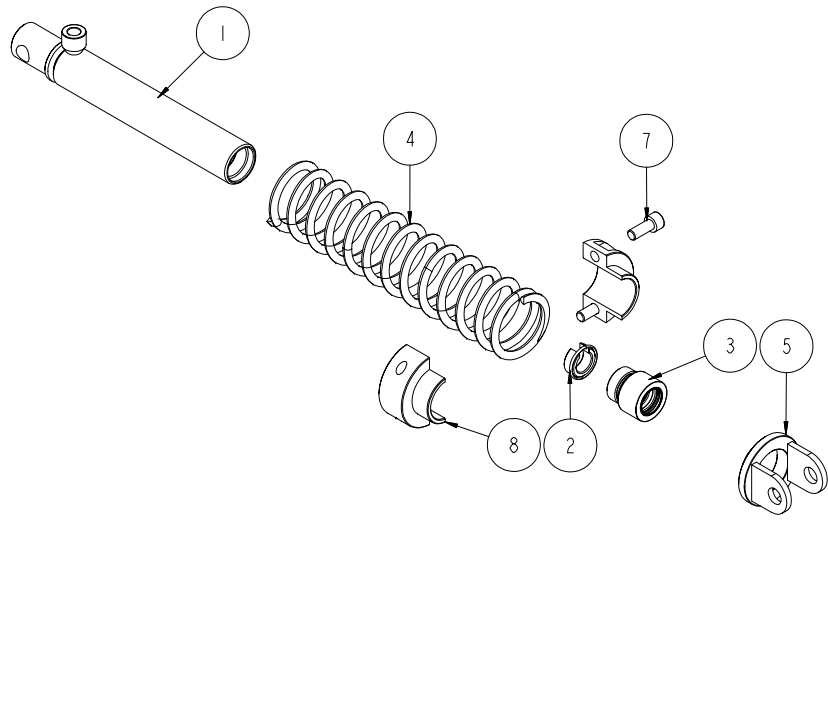
Item	Part Code	Description	Notes	Qty
1	CHY02015	QR 1/2" MALE PARKER 7V14G4X4		5
2	CHY00053	WASHER DOWTY 1/2"		5
3	CHY02008	ADAPTOR 1/2"M - 3/8"M		2
4	CHY02085	ADAPTOR 1/2"M - 1/4"M		3
5	CHY00015	WASHER DOWTY 1/4"		5
6	CHY02010	ADAPTOR 1/4M - 1/4"M		4
7	CVA03100	VALVE ON/OFF 3/8" BALL TYPE		2
9	CHY02002	ADAPTOR 3/8"M-3/8"M		1
13	CHY02103	ADAPTOR 1/4M - 1/4"F		1

Hydraulic System; Hoses:

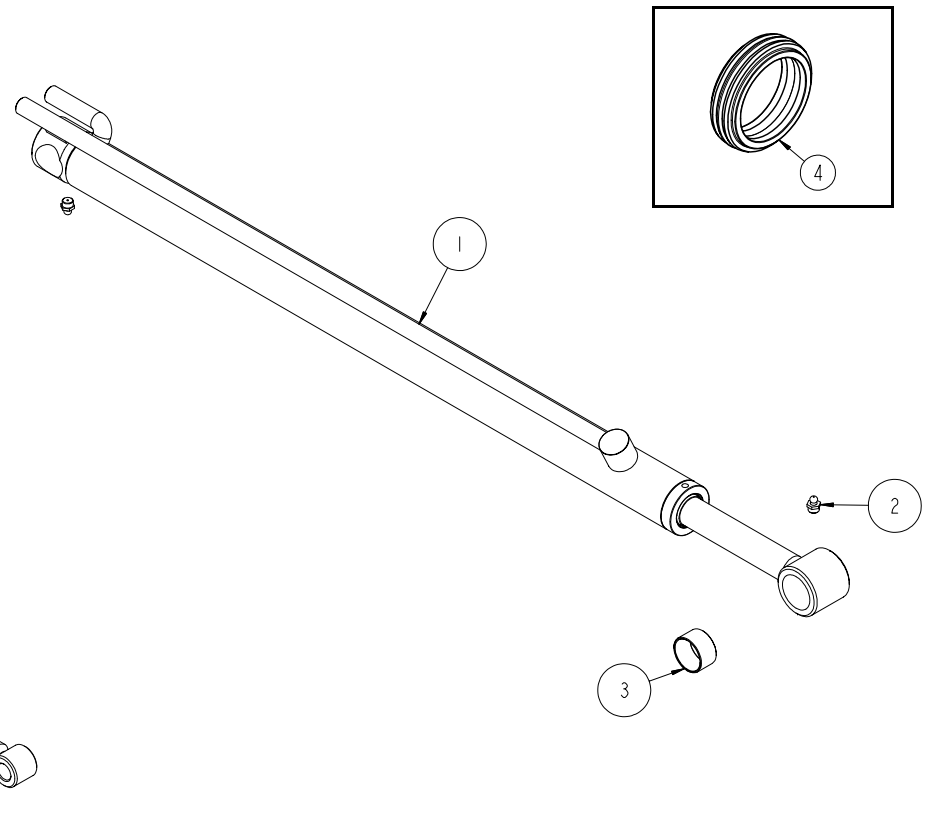


Item	Part Code	Description	Notes	Qty
1	CHY02195	1/4" X 565MM STR FM - 90FM		1
2	CHY02215	1/4" X 550MM STR FM - 90 FM		1
3	CHY02503	1/4" X 1040MM STR FM - 90 FM		1
4	CHY02477	PRESSURE GAUGE HOSE 1200MM		2
6	CHY02395	3/8" X 2880MM STR FM - STR FM		1
7	CHY02396	3/8" X 640MM STR FM - 90 FM		2
10	CHY02399	1/4" X 3520MM STR FM - 90 FM		1
11	CHY02400	3/8" X 3480MM STR FM - STR FM		1
12	CHY02401	3/8" X 3610MM STR FM - 90 FM		1
13	CHY02402	1/4" X 3570MM STR FM - 90 FM		1
20	CHY02246	1/4" X 425MM STR FM - 90 FM		1
21	CHY02387	1/4" X 440MM STR FM - 90 FM		1
22	CHY02195	1/4" X 565MM STR FM - 90 FM		1
23	CHY02196	1/4" X 510MM STR FM - 90 FM		1
28	CHY02420	1/4" X 330MM STR FM - 90 FM		1
29	CHY02421	1/4" X 340MM STR FM - 90 FM		1

Pickup Ram; CRA00186:



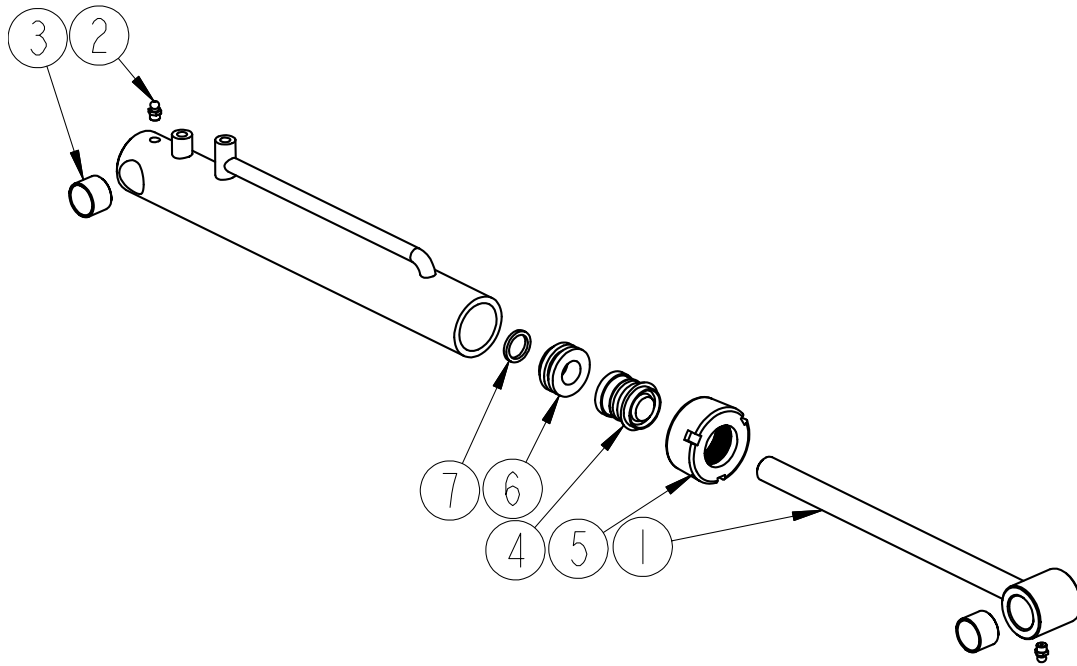
Door Ram; CRA00557:



Item	Part Code	Description	Notes	Qty
1	CRA00187	RAM BARREL CRA00186		1
2	CSE00141	SEAL KIT CRA00186		1
3	CRA00260	SEAL GLAND ROR CRA00186 TOP		1
4	CSG00037	SPRING COMP 8X67X300X14		1
5	ACH00404	SPRING RETAINER PICKUP		1
6	CRA00188	RAM ROD CRA00186		1
7	CFA00602	SETSCREW M10X30 SOC CAP Z/P		2
8	CMH00739	BUSH 40X75X50 STEPPED		2

Item	Part Code	Description	Notes	Qty
1	CRA00557	DOOR RAM F550		1
2	CFA00111	GREASE NIPPLE M10X1.5 STRAIGHT		1
3	CBR00260	BEARING GLACIER PM 3220 DX		1
4	CSE00147	F550 DOOR RAM SEAL KIT		1

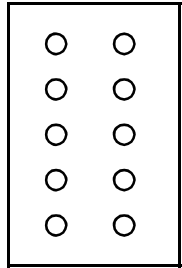
Drop Floor Ram; CRA00193:



Item	Part Code	Description	Notes	Qty
1	CRA00198	PISTON FOR CRA00197		1
2	CFA00118	GREASE NIPPLE M8X1.25 STRAIGHT		2
3	CBR00101	BEARING GLACIER PM 2525 DX		4
4	CRA00213	SEAL GLAND FOR CRA00193 TOP		1
5	CRA00212	RAM CAP FOR CRA00193		1
6	CRA00214	SEAL GLAND FOR CRA00193 BOTTO		1
7	CSE00123	SEAL KIT FOR RAM CRA00193		1

Oil & Greaser System;

Components:



①



②

Fittings:



⑫



⑮



⑱



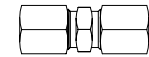
⑬



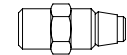
⑯



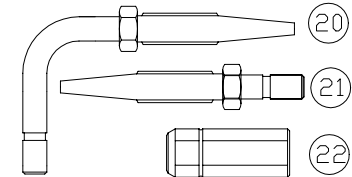
⑲



⑭



⑰



⑳

㉑

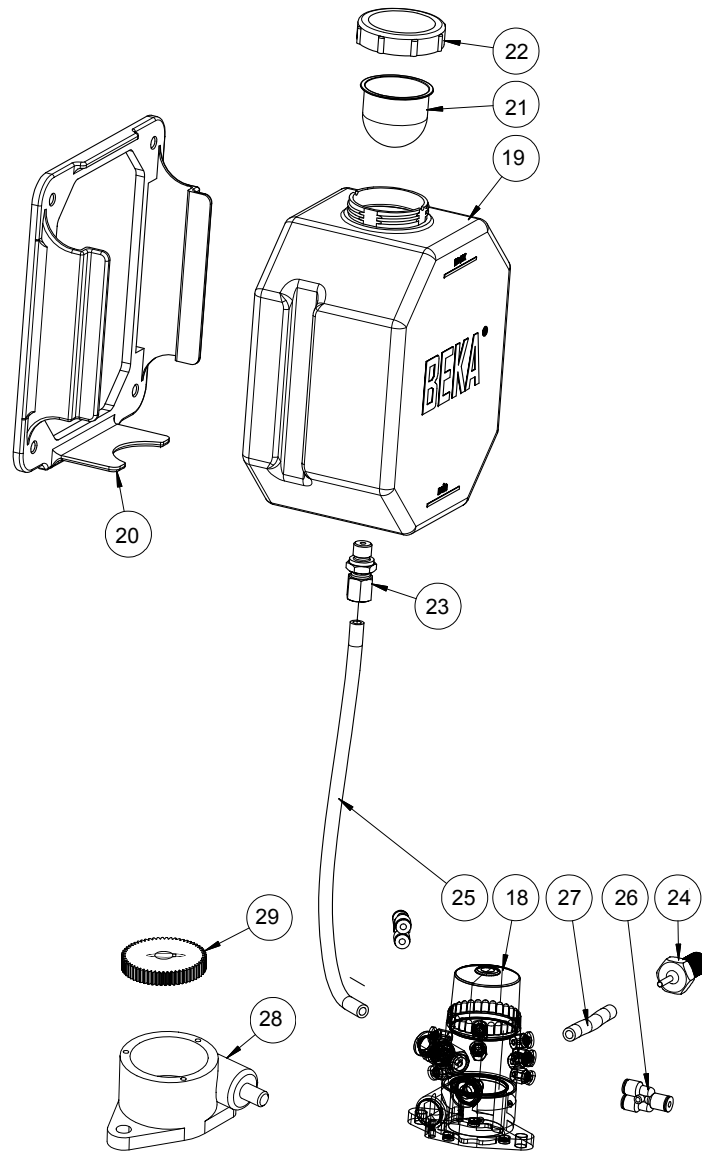
㉒

**GREASE
SYSTEM
KIT**

㉓

Item	Part Code	Description	Notes	Qty
1	CVA00567	GREASE BLOCK 10-WAY [MANUAL]		2
2	CFA00590	GREASE NIPPLE 1/8" BSP ST		
12	CFA00549	6LL FITTING STRAIGHT		
13	CFA00543	6LL FITTING ELBOW		
14	CFA00681	6LL UNION (COMPLETE)		
15	CFA00682	COMPRESSION NUT		
16	CFA00544	6LL COUPLING NUT		
17	CFA00648	CHECK VALVE		
18	CFA00683	BRASS OLIVE		
19	CFA00545	STEEL OLIVE		
20	CHY02323	HOSE STUD ELBOW		
21	CHY02324	HOSE STUD STRAIGHT		
22	CHY02325	THREADED SLEEVE		
23	CHY02370	KIT OF FLEXIBLE PIPES & FITTINGS THAT COVERS GREASING SYSTEM ON ALL F5 SERIES MACHINES		

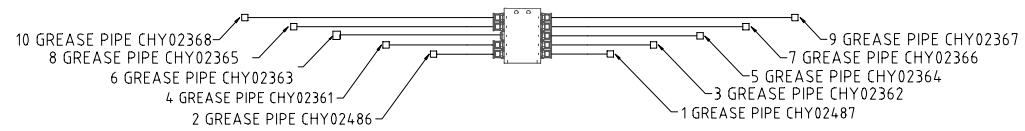
Oil & Greaser System;



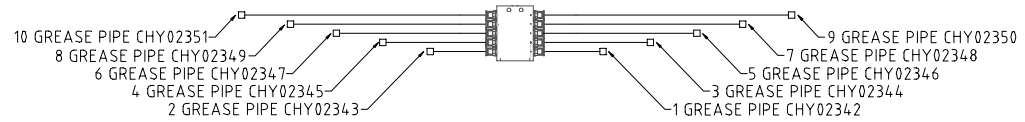
Item	Part Code	Description	Notes	Qty
18	CVA00564	BEKA OIL PUMP		1
19	CHY00869	BEKA OIL TANK		1
20	CHY00870	BEKA OIL TANK BRACKET		1
21	CHY00871	BEKA OIL TANK FILTER		1
22	CHY00872	BEKA OIL TANK CAP		1
23	CHY00873	BEKA OIL TANK FITTING		1
24	CVA00563	BEKA OIL PUMP DRIVE		1
25	CHY00892	TUBE 10 X 8 X 300 OILER TANK		1
26	CHY00893	CHAIN OIL PIPE TEE PIECE		2
27	CBE00172	BEKA OIL PUMP DRIVE LINE PIPE		1
28	CVA00573	BEKA OIL PUMP BOTTOM HOUSING		1
29	CVA00574	BEKA OIL PUMP SPUR GEAR		1

Greaser System; Schematic:

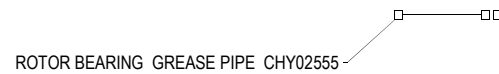
Front Door Greaser Block



Rear Door Greaser Block



Rotor Bearing R.H.S.



GREASE BLOCK FRONT DOOR

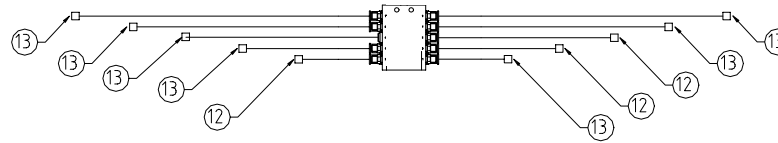
Ports	Part Code	Description	Qty
1 - 5 & 7 - 10	CFA00648	CHECK VALVE	10
	CFA00545	STEEL OLIVE	10
	CFA00544	COUPLING NUT	10

GREASE BLOCK REAR DOOR

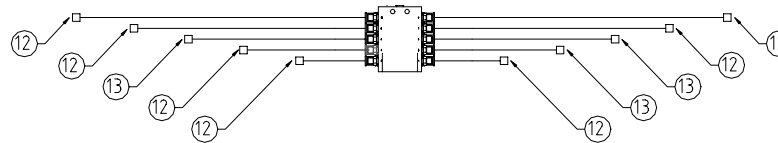
Ports	Part Code	Description	Qty
1 to 10	CFA00648	CHECK VALVE	10
	CFA00545	STEEL OLIVE	10
	CFA00544	COUPLING NUT	10

Greaser System; Schematic:

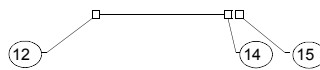
Front Door Greaser Block



Rear Door Greaser Block



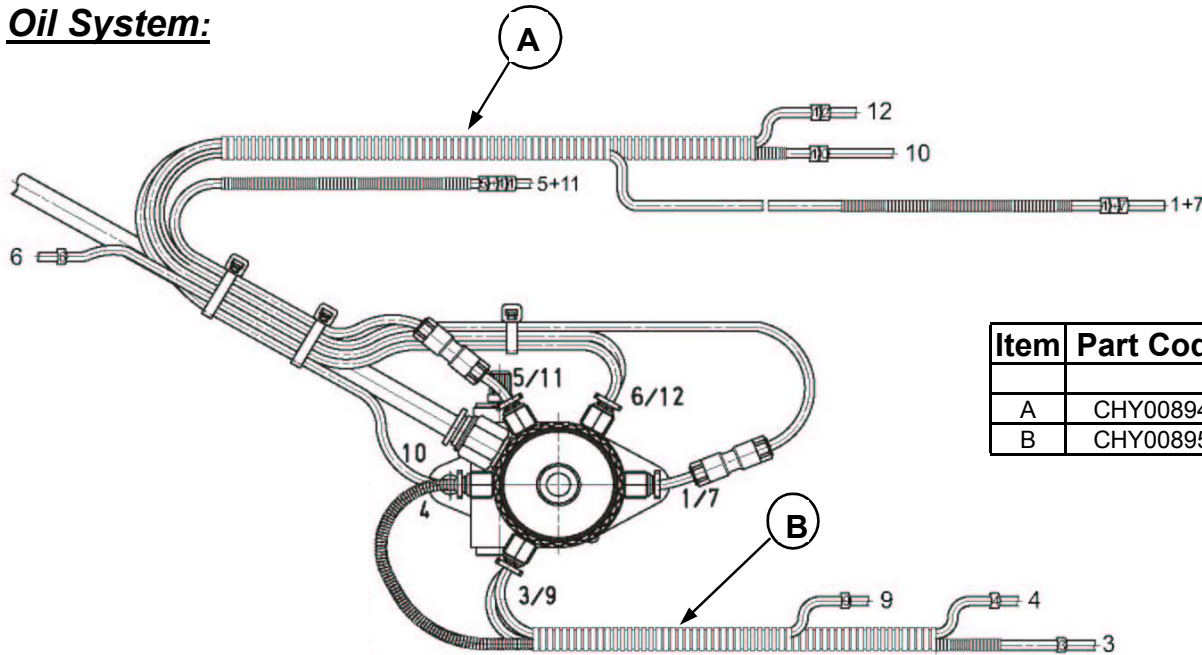
Rotor Bearing R.H.S.



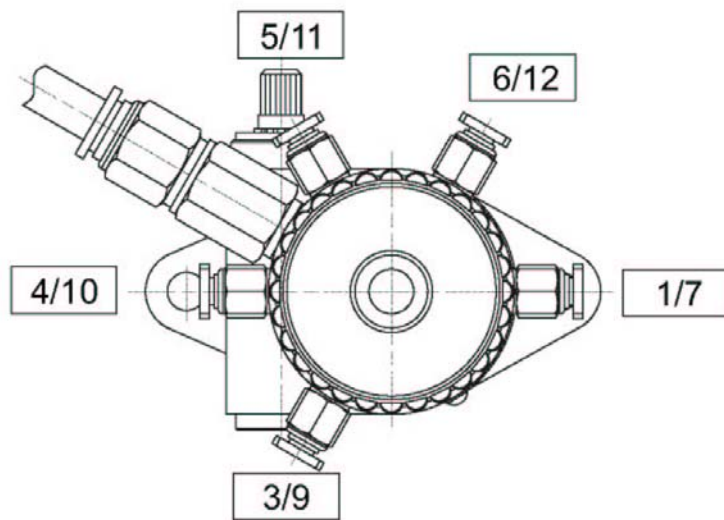
Greaser System; Fittings at Ends:

Item	Part Code	Description	Notes	Qty
12	CFA00549	6LL FITTING STRAIGHT		32
13	CFA00543	6LL FITTING ELBOW		24
14	CTP00315	GREASE PIPE ADAPTOR FITTING		1
15	CFA00776	GREASE NIPPLE M10x1 45 DEG		1

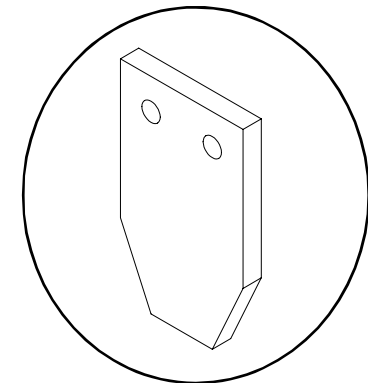
Oil System:



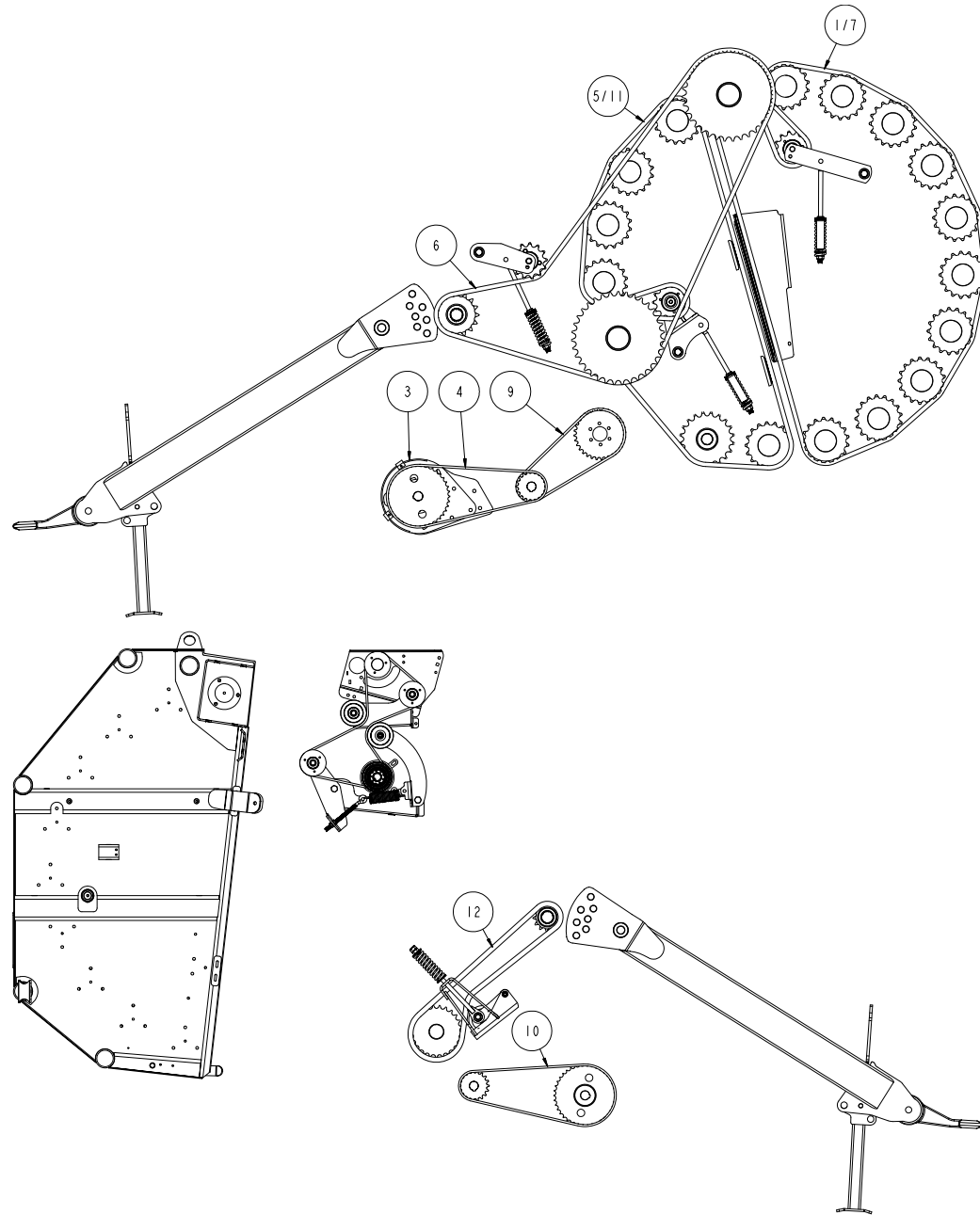
Item	Part Code	Description	Notes	Qty
A	CHY00894	OIL LOOM F5		1
B	CHY00895	OIL LOOM F5 DS PICKUP		1




No.	length (mm)
1+7	6100
3	1800
4	1500
5+11	1800
6	400
9	1000
10	4250
12	4000



**REPLACEMENT OILER WICK
CHY00609**



Decals; CST00634:

 <p>Warning!</p>	<p>(en)</p> <ol style="list-style-type: none"> 1. Keep all guards in place. 2. Disengage and turn off all engine and/or motor power before servicing or unblocking machine. 3. Keep hands, feet and clothing away from power-driven parts.
	<p>(de)</p> <ol style="list-style-type: none"> 1. Halten Sie allen Schutz im Platz. 2. Schalten Sie ab und drehen Sie weg allen Maschinen-und/oder Bewegungsstrom, bevor Sie Maschine instandhalten oder entblocken. 3. Halten Sie Hände, Füße und die Kleidung, die von den motorisierten Teilen weg ist.
	<p>(fr)</p> <ol style="list-style-type: none"> 1. Gardez toutes les gardes en place. 2. Désengagez et coupez tout le courant de moteur et/ou de moteur avant d'entretenir ou dégager la machine. 3. Gardez les mains, les pieds et l'habillement parti des pièces actionnées par l'électricité.
	<p>(nl)</p> <ol style="list-style-type: none"> 1. Houd op zijn plaats alle wachten. 2. Maak en sluit al motor en/of motorstroom los af alvorens of deblokkerend machine te onderhouden. 3. Houd handen, voeten en kleding vanaf delen met motor.
	<p>(no)</p> <ol style="list-style-type: none"> 1. Behold alle beskyttere på plass. 2. Koppl fra og skru av all maskin og/eller motorkraft før betjening eller avblokkeringsav maskin. 3. Behold hender, føter og kleing borte fra kraft-kjerte deler.
	<p>(sv)</p> <ol style="list-style-type: none"> 1. Alla skydd ska vara monterade vid drift. 2. Koppla ur och stäng av motorn före service eller rengöring av maskin. 3. Håll händer, fötter och kläder borta från kraftöverföringen och andra rörliga delar.

CST00134

CST00134



CST00108



CST00110

 <p>DANGER</p>	<p>ATTENTION! ELEMENTS ROTATIFS. DANGER PAR SUITE DE PROJECTION DE CORPS ETRANGERS ELONGNER TOUTE PERSONNE DE LA ZONE DANGEREUSE</p>
	<p>WARNING! ROTATING ELEMENTS. DANGER DUE TO PROJECTION OF FOREIGN OBJECTS. KEEP ALL PERSONS AWAY FROM THE DANGER AREA.</p>
	<p>VORSICHT! NACHLAUFENDE TEILE. GEFAHR DURCH FORTGESCHLEUDERTE FREMDKÖRPER. PERSONEN AUS DEM GEFAHRENBEREICH VERWEISEN.</p>
	<p>¡ATENCIÓN! ELEMENTOS ROTATIVOS. PELIGRO DEBIDO A LA PROYECCION DE CUERPOS EXTRANOS. ALEJAR A TODA PERSONA DE LA ZONA PELIGROSA.</p>

CST00014



CST00107



CST00111



CST00639

ONLY TO BE FITTED FOR HAY/STRAW

CST00642

CST00642



CST00115



CST00056



CST00019



CST00113



CST00121



CST00150



CST00020



CST00114

Decals; CST00634:



CST00141



CST00140



CST00146



CST00132



CST00006



CST00145



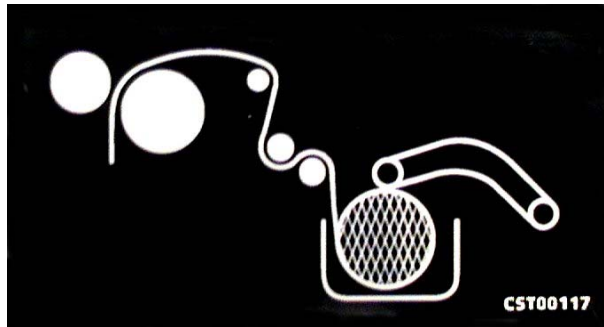
CST00144



CST00142



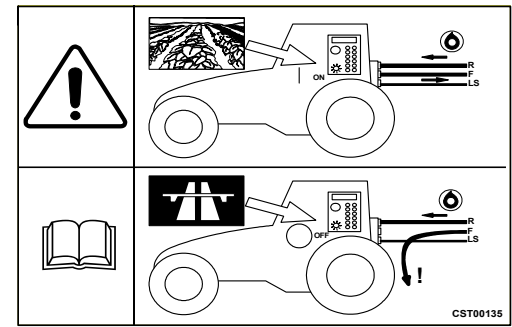
CST00017



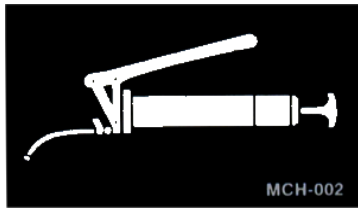
CST00117



CST00119



CST00135



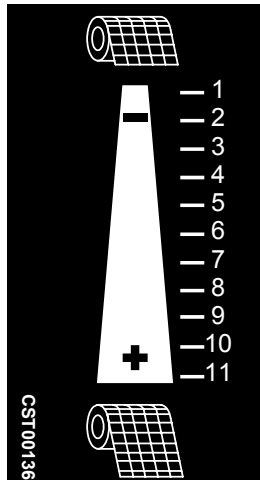
CST00060



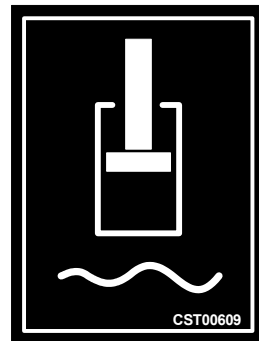
CST00032



CST00625



CST00136

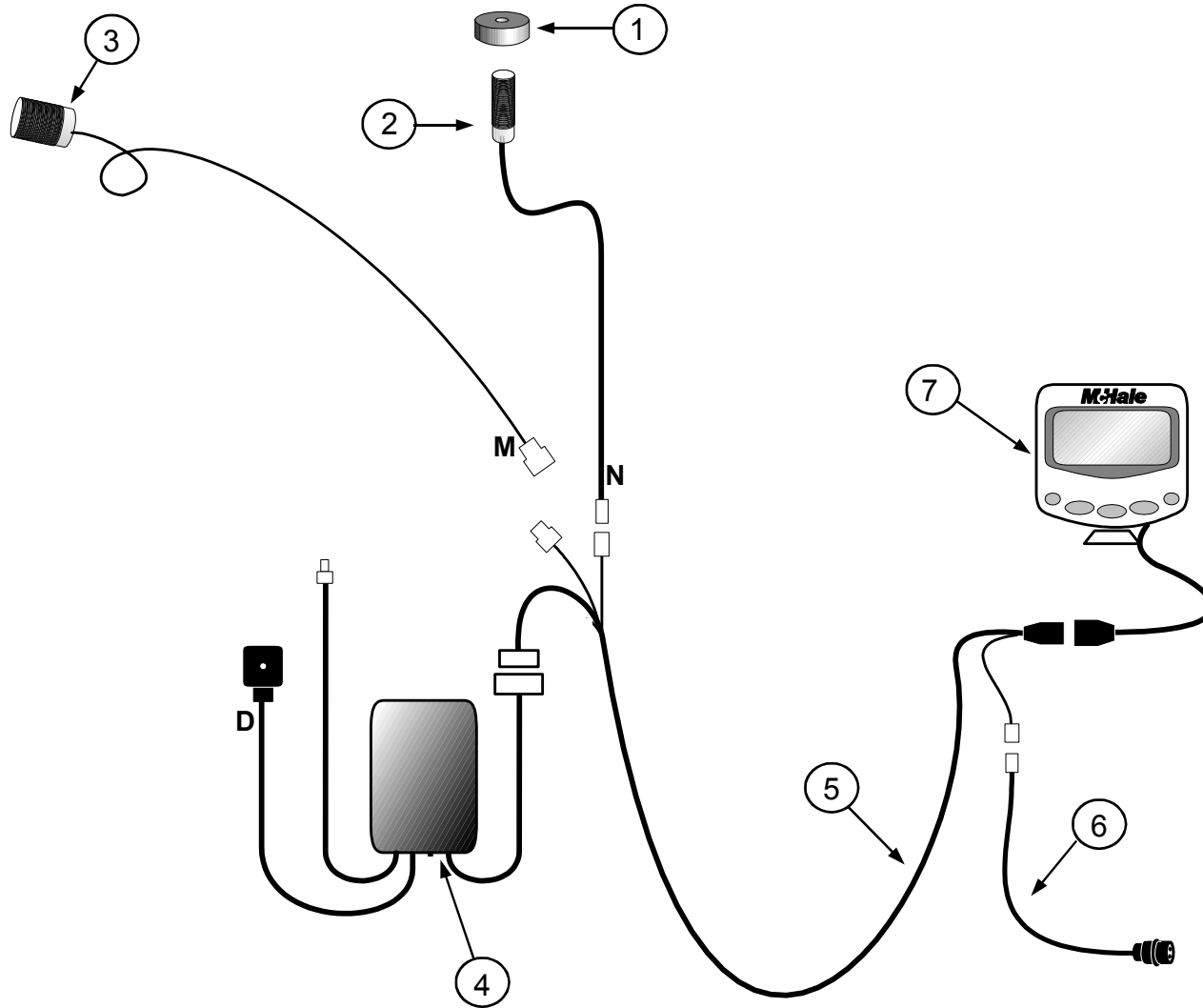


CST00609



CST00626

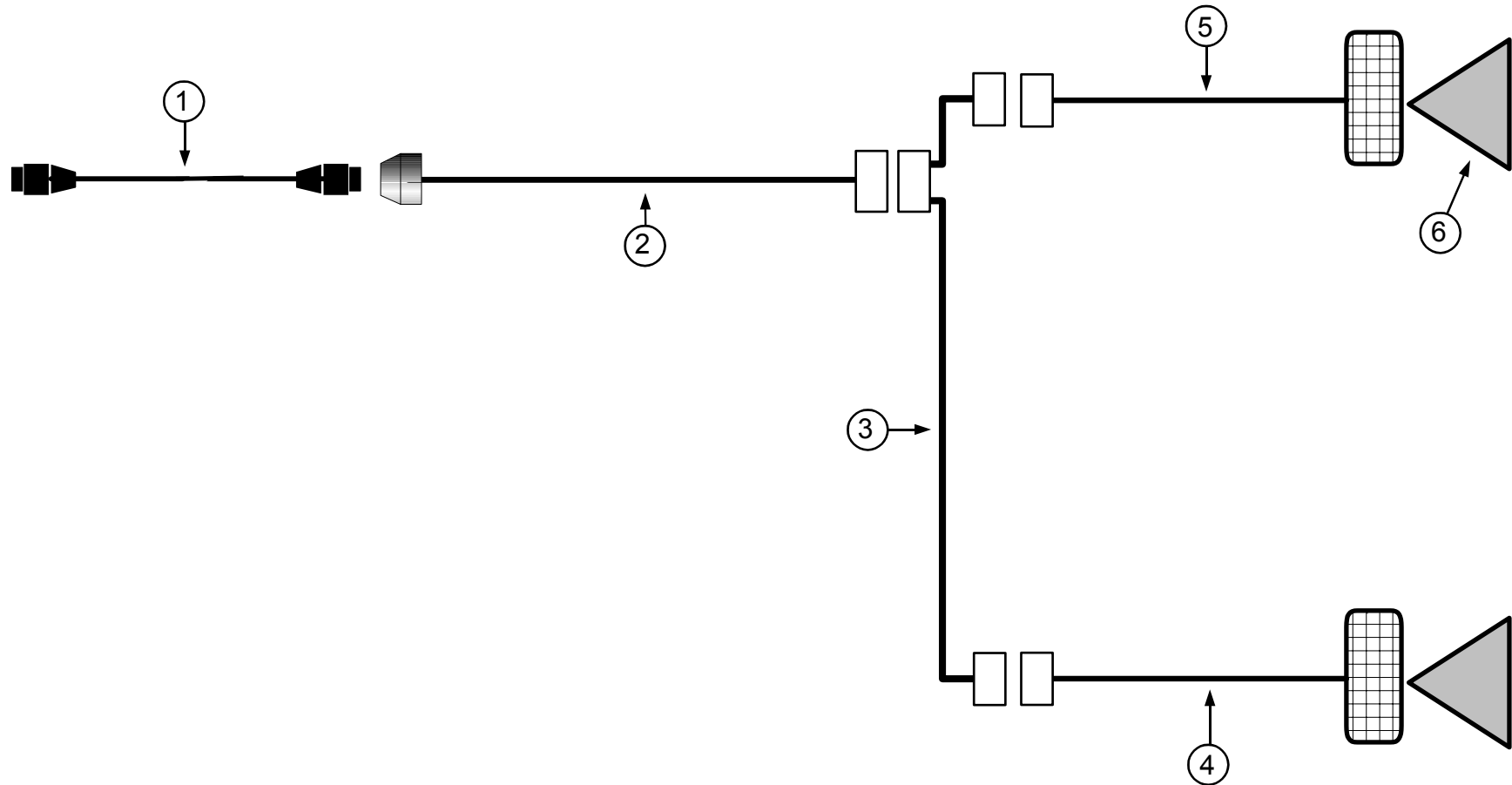
Electrical Control:



Item	Part Code	Description	Notes	Qty
1	CEL00059	MAGNET		1
2	CEL00262	NET SENSOR	[A]	1
3	CEL00616	SENSOR PROXIMITY 18MM NPN		1
4	CEL00257	RELAY UNIT F550		1
5	CEL00256	LOOM MAIN F550		1
6	CEL00064	EURO LEAD		1
7	CEL00255	CONTORL WIZARD F550		1

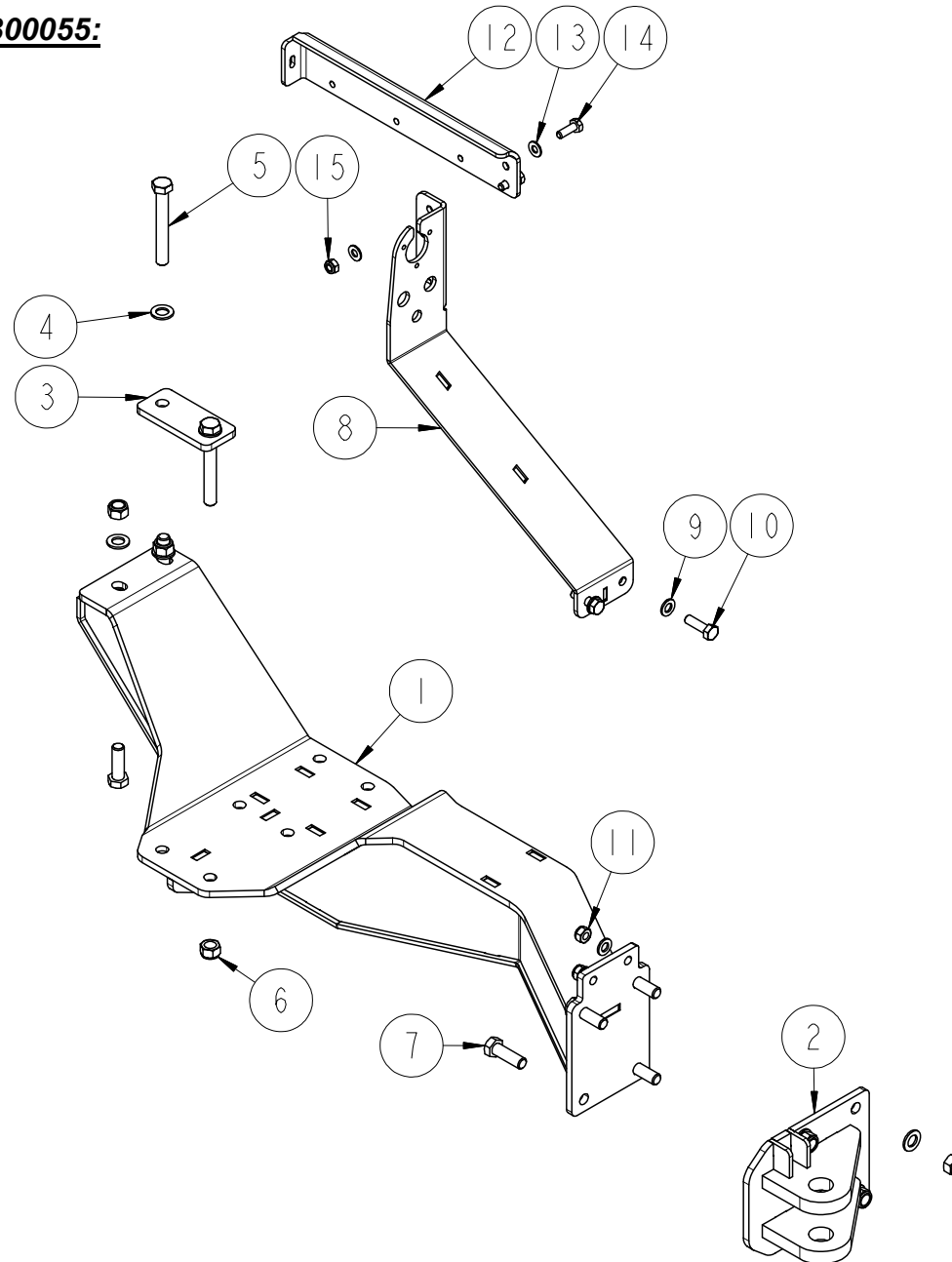
[A] THIS IS A STANDARD McHale REED SENSOR MEANING IT IS INTERCHANGEABLE WITH OTHER SUCH SENSORS AND ONLY DIFFERS IN CABLE LENGTH AND ARMOURING. UNIVERSAL SENSOR CEL00215 MAY BE USED IN PLACE OF THIS PART.

Lighting Kit; CEL00602:



Item	Part Code	Description	Notes	Qty
1	CEL00218	3M M/M 7PIN CABLE PLUG		1
2	CEL00603	5.7M LIGHTING LOOM F550		1
3	CEL00604	LIGHTING LOOM REAR F550		1
4	CEL00181	LAMP F550 REAR RIGHT		1
5	CEL00182	LAMP F550 REAR LEFT		1
6	CEL00077	REFLECTOR REAR TRIANGULAR		2

Combi-Hitch Option; ADB00055:



Item	Part Code	Description	Notes	Qty
1	ADB00056	HITCH WELD ASSY		1
2	ACH00263	HS 2000 CLEVIS HITCH ASSEMBLY		1
3	CZH03169	10MM L HITCH PART ST BALER		1
4	CFA00140	WASHER FLAT 16MM Z/P		16
5	CFA00209	BOLT M16X120 Z/P		2
6	CFA00128	NUT M16 NYLOC		8
7	CFA00116	BOLT M16X50 Z/P		6
8	ADB00057	HOSE BRACKET ASSY ST BALER		1
9	CFA00138	WASHER FLAT 12MM Z/P		4
10	CFA00297	BOLT M12X40 Z/P		2
11	CFA00124	NUT M12 NYLOC		2
12	CZF03952	6MM L HOSE BRACKET PART		1
13	CFA00201	WASHER FLAT 10 MM Z/P		4
14	CFA00025	SETSCREW M10X30		2
15	CFA00123	NUT M10 NYLOC		2

Index:

	Part Code	Description	Page
1	ACH00170	HINGE ASSY BALER DOOR	39
2	ACH00170	HINGE ASSY BALER DOOR	43
3	ACH00170	HINGE ASSY BALER DOOR	47
4	ACH00170	HINGE ASSY BALER DOOR	53
5	ACH00188	DOOR CHAIN TENSION WELD ASSY.	39
6	ACH00263	HS 2000 CLEVIS HITCH ASSEMBLY	105
7	ACH00277	NET UNIT (RIGHT) WELD ASSY.	65
8	ACH00278	NET UNIT (LEFT) WELD ASSY.	65
9	ACH00279	PLATEWHEEL ASSY. NET UNIT	65
10	ACH00280	NET UNIT LOCK BAR ASSY.	65
11	ACH00281	KNIFE HOLDER ASSY. (NET UNIT)	65
12	ACH00282	SMALL NET ROLLER GUARD	65
13	ACH00297	CHASSIS COMP WELD ASSY	31
14	ACH00298	REEL WELD ASSY OUTER (RIGHT)	33
15	ACH00301	REEL WELD ASSY OUTER (LEFT)	33
16	ACH00304	BAND OUTER (RIGHT) WELD ASSY.	33
17	ACH00305	BAND OUTER (LEFT) WELD ASSY.	33
18	ACH00306	PICK UP REEL INNER BRCKT. (R)	33
19	ACH00307	PICK UP REEL INNER BRCKT. (L)	33
20	ACH00309	PICK UP REEL SHAFT ASSY	35
21	ACH00313	BEARING HOUSING WELD ASSY.	29
22	ACH00314	AUGER ASSY. (LEFT)	31
23	ACH00321	PIN CHOPPER FLOOR HINGE ZIP	37
24	ACH00325	AUGER COMPLETE ASSY. (LEFT)	31
25	ACH00326	SPROCKET AUGER ASSY. (RIGHT)	29
26	ACH00327	AUGER ASSY. (RIGHT)	29
27	ACH00328	AUGER COMPLETE ASSY. (RIGHT)	29
28	ACH00330	BEARING HOLDER WELD ASSY	29
29	ACH00333	TENSIONER BRCK WELD ASSY	29
30	ACH00334	CHAIN TENSIONER ASSY.	29
31	ACH00335	CHAIN TENSIONER COMP. ASSY.	31
32	ACH00356	GRASS COVER REEL FRONT	27
33	ACH00369	NET RELEASE UNIT ASSY.	65
34	ACH00404	SPRING RETAINER PICKUP	29
35	ACH00404	SPRING RETAINER PICKUP	83
36	ACH00405	SPRING RETAINER RAM PICKUP	29
37	ACH00406	TENSIONER SPACER 1" DUPLEX	29
38	ACH00423	BEARING HOUSING WELD ASSY.	31
39	ACH00424	REEL BACK PLATE WELD ASSY NEW	33
40	ACH00427	CHAIN TENSIONER LATC	29
41	ACH00437	FRONT CHAIN ADJ.COMP	51
42	ACH00439	CHAIN TENSIONER WELD ASSY M.D.	51
43	ACH00541	BALER BACK DOOR WELD ASSY	39
44	ACH00541	BALER BACK DOOR WELD ASSY	43
45	ACH00550	CHAIN TENSIONER WELD ASSY	51
46	ACH00567	SPACER ASSY LEFT ST	7
47	ACH00567	SPACER ASSY LEFT ST	21
48	ACH00568	SPACER ASSY RIGHT ST	7
49	ACH00568	SPACER ASSY RIGHT ST	21
50	ACH00666	NETTER UNIT HANDLE ASSEMBLY	67

	Part Code	Description	Page
51	ACH00668	AXLE SPACER PLATE AS	7
52	ACH00668	AXLE SPACER PLATE AS	21
53	ACH00669	DOOR GUARD PART ST B	71
54	ACH00852	STD BALER LIGHT ROTO	31
55	ACH00853	BALER STD LIGHT COMB	31
56	ACH00900	DROP FLOOR F540	37
57	ACH00912	NET BOX WELD ASSY FU	63
58	ACH00913	NET BOX BRAKE ASSY F	63
59	ACH00916	BALER FRONT SECTION WELD ASSY	7
60	ACH02226	REEL BEARING FLOATING ASSY	35
61	ACH02247	PANEL MOUNT ASSY (LEFT)	9
62	ACH02249	PLATFROM GUARD RAIL	9
63	ACH02251	PIVOT TYPE HOSE HOLDER	9
64	ADB00051	PICKUP WHEEL COMP ASSY RIGHT	27
65	ADB00052	PICKUP WHEEL ASSY ST BALER	27
66	ADB00056	HITCH WELD ASSY	105
67	ADB00057	HOSE BRACKET ASSY ST BALER	105
68	ADB00068	DRAWBAR STAND F550	11
69	ADB00076	DRABAR FRAME WELD AS	11
70	ADB00077	DRAWBAR FRAME WELD A	11
71	ADB00083	HITCH (NORWAY) F550	11
72	ADB00095	COUPLING ADAPTOR	11
73	ADB00103	HITCH EYE SWIVEL	11
74	ALA00035	HINGE PIN REEL FRONT	27
75	ALA00046	TYNE BAR ASSY REEL	35
76	ALA00085	BALE DROPPER ASSY	21
77	ALA00092	NEW TENSIONER BAR WELD ASSY	47
78	ALA00092	NEW TENSIONER BAR WELD ASSY	69
79	ALA00098	SPRING ASSY BALE RAM	21
80	ALA00099	SPRING TUBE ASSY BAL	21
81	ALA00110	NET TENSION WELD	69
82	ALA00111	NET TENSION ASSY	47
83	ALA00112	BELT TENSION ARM	69
84	ALA00114	BELT TENSION ARM WEL	69
85	ALA00138	PANEL LOCK ASSY	7
86	ALA00138	PANEL LOCK ASSY	45
87	ALA00138	PANEL LOCK ASSY	49
88	ALA00156	STEP WELD ASSY (RIGH	9
89	ALA00157	STEP WELD ASSY (LEFT)	9
90	ALA00166	SPARE KNIFE RETAINING BRCKT	7
91	ALA00177	BUSHING CENTER (ASSY) REEL	35
92	ALA00193	RIGHT PANEL BRACKET ASSY	7
93	ALA00194	LEFT PANEL BRACKET ASSY	7
94	ALA00210	NET PULLEY WHEEL WELD ASSY	69
95	ALA00211	NET PULLEY WHEEL COMP ASSY	47
96	ALA00280	REEL PIVOT BRACKET (NEW)	31
97	ARC00023	ROLLER WELD LONG SHFT AS	59
98	ARC00028	BALER ROLLER 3 BOLT FLANGE	57
99	ARC00029	ROLLER STD SHFT WELD ASY	59
100	ARC00030	BALER ROLLER STD COMP. ASSY.	57

	Part Code	Description	Page
101	ARC00033	FRONT CHAMB. ROLLER WELD ASSY	59
102	ARC00034	FRONT CHAMBER ROLLER	57
103	ARC00044	ROLLER NET UNIT (LARGE)	65
104	ARC00050	SPROCKET 64/12 TOOTH ASSY	65
105	ARC00059	ROTOR SEAL RING ASSY	31
106	ARC00060	PIN CLUTCH ASSY REEL	31
107	ARC00144	SPROCKET 13T DUPLEX ASSY	15
108	ARC00158	ROLLER GUARD ASSY ST BALER	7
109	ART00051	BEARING ROLLER COMP ASSY	55
110	ART00081	1 1/4" PITCH 17 T SPROCKET ASY	39
111	ART00081	1 1/4" PITCH 17 T SPROCKET ASY	53
112	ART00087	SPROCKET ASSY BOTTOM DOOR	53
113	ART00088	BEARING ROLLER COMP ASSY	39
114	ART00088	BEARING ROLLER COMP ASSY	55
115	ART00091	PIVOT STEP ASSEMBLY	9
116	ART00293	BEARING ROLLER COMP ASSY	55
117	ART00301	BEARING HOUSING 76210 ASSY	39
118	CAX00063	AXLE ASSY ST BALER	7
119	CAX00063	AXLE ASSY ST BALER	21
120	CAX00064	AXLE 70MM 8 STUD 1900 LONG	23
121	CAX00065	HUB 8 STUD CAX00063	23
122	CAX00080	HUB CAP FOR CAX00063	23
123	CBE00002	BUFFER RUBBER 50X21 M10X28	33
124	CBE00032	CANVIS NET ROLLER COVER	67
125	CBE00033	RUBBER 100X80 CHAIN GUARD	31
126	CBE00051	RUBBER BELT ROLLER C	31
127	CBE00163	CHAIN BELT V A66	61
128	CBE00165	RUBBER STRIP 300X100	7
129	CBE00169	BUFFER 17X50X15	21
130	CBE00172	BEKA OIL PUMP DRIVE LINE PIPE	89
131	CBR00001	BEARING 6007 2RS	29
132	CBR00001	BEARING 6007 2RS	31
133	CBR00009	BEARING 6205 2RS	27
134	CBR00009	BEARING 6205 2RS	65
135	CBR00020	BEARING 6204 2RS	69
136	CBR00039	BEARING GLACIER PM 2525 DX	39
137	CBR00039	BEARING GLACIER PM 2525 DX	51
138	CBR00051	BEARING GLACIER PM 170 X 25	39
139	CBR00051	BEARING GLACIER PM 170 X 25	43
140	CBR00051	BEARING GLACIER PM 170 X 25	47
141	CBR00060	BEARING SPHERICAL SKF 2210CC	55
142	CBR00061	NILOS-RING 6210AV	55
143	CBR00062	BEARING RADIAL 6207LLU (SKF)	39
144	CBR00062	BEARING RADIAL 6207LLU (SKF)	51
145	CBR00064	TAPER ROLLER BEARING 30213	23
146	CBR00067	BEARING 6201	65
147	CBR00072	BEARING INA 2 BOLT RAE 30 NPPB	35
148	CBR00076	BEARING 6008 2RS	29
149	CBR00076	BEARING 6008 2RS	31
150	CBR00078	BEARING FEC 60 4 BOLT FLANGE	29

	Part Code	Description	Page
151	CBR00081	BEARING CAM INA LR 5202 NPPU	35
152	CBR00081	BEARING CAM INA LR 5202 NPPU	67
153	CBR00083	BEARING 1726210-2RS RADIAL	55
154	CBR00083	BEARING 1726210-2RS RADIAL	59
155	CBR00083	BEARING 1726210-2RS RADIAL	59
156	CBR00083	BEARING 1726210-2RS RADIAL	59
157	CBR00084	BEARING SEALED SPRAG CLUTCH	65
158	CBR00092	BEARING CIRCR FLNGE INA PME 35	33
159	CBR00093	BEARING INSERT INA GYE 40 KRRB	29
160	CBR00101	BEARING GLACIER PM 2525 DX	85
161	CBR00104	BEARING INA TME 40 GE 40 KPPB3	31
162	CBR00113	BEARING 6310 2RSR	17
163	CBR00115	TAPER ROLLER BEARING 3020 8A	17
164	CBR00115	BEARING 6213 C3	17
165	CBR00116	TAPER ROLLER BEARING 3030 9A	17
166	CBR00118	BEARING STEPPED PLAS 16X18X12	69
167	CBR00251	BEARING 6211 2RS	17
168	CBR00260	BEARING GLACIER PM 3220 DX	83
169	CBR00261	NILOS SEAL 1 AXLE CAX00063	23
170	CBR00262	TAPER ROLLER BEARING 32210	23
171	CBR00263	NILOS SEAL 2 AXLE CAX00063	23
172	CBR00268	BEARING GLACIER DU 4	37
173	CCH00049	CHAIN 20B 158 PITCHES INC LINK	61
174	CCH00051	CHAIN 16B2 70 PITCHES INC LINK	61
175	CCH00052	CHAIN 100H 126 PITCHES+CON LINK	61
176	CCH00151	SHIELD CHAINS	19
177	CCH02025	CHAIN ASA60H 3/4" 62 INC LINK	61
178	CCH02026	CHAIN ASA60H 3/4" 78 INC LINK	61
179	CCH02028	CHAIN KIT PICK UP REEL	31
180	CCH02037	CHAIN 20B 136 LINKS INCL LINK	61
181	CEL00059	MAGNET 20 X 10 260369	69
182	CEL00059	MAGNET	101
183	CEL00064	EURO LEAD	101
184	CEL00077	REFLECTOR REAR RECTANGULAR	41
185	CEL00077	REFLECTOR REAR TRIANGULAR	43
186	CEL00077	REFLECTOR REAR TRIANGULAR	103
187	CEL00181	LAMP F550 REAR RIGHT	103
188	CEL00182	LAMP F550 REAR LEFT	103
189	CEL00218	3M M/M 7PIN CABLE PLUG	103
190	CEL00252	MAGNET BRACKET ASSY ST BALER	67
191	CEL00252	MAGNET BRACKET ASSY ST BALER	69
192	CEL00255	CONTORL WIZARD F550	101
193	CEL00256	LOOM MAIN F550	101
194	CEL00257	RELAY UNIT F550	101
195	CEL00259	SHAFT MOUNTED	47
196	CEL00259	SHAFT MOUNTED	69
197	CEL00262	NET SENSOR	101
198	CEL00603	5.7M LIGHTING LOOM F550	103
199	CEL00604	LIGHTING LOOM REAR F550	103
200	CEL00616	SENSOR ASSY PROX 18MM NPN	47

	Part Code	Description	Page
201	CEL00616	SENSOR PROXIMITY 18MM NPN	101
202	CFA00001	CIRCLIP 25MM EXTERNAL Z/P	65
203	CFA00005	LINCH PIN 10MM	27
204	CFA00008	NUT M10	33
205	CFA00008	NUT M10	69
206	CFA00013	SPLIT PIN 5X50 Z/P	7
207	CFA00013	SPLIT PIN 5X50 Z/P	41
208	CFA00013	SPLIT PIN 5X50 Z/P	51
209	CFA00016	BOLT M10X35	9
210	CFA00016	BOLT M10X35	51
211	CFA00016	BOLT M10X35	65
212	CFA00018	SETSCREW M10X20	15
213	CFA00023	SETSCREW M10X20 Z/P	29
214	CFA00023	SETSCREW M10X20 Z/P	37
215	CFA00023	SETSCREW M10X20 Z/P	45
216	CFA00024	SETSCREW M10X25 Z/P	9
217	CFA00024	SETSCREW M10X25 Z/P	31
218	CFA00024	SETSCREW M10X25 Z/P	33
219	CFA00024	SETSCREW M10X25 Z/P	35
220	CFA00024	SETSCREW M10X25 Z/P	69
221	CFA00025	SETSCREW M10X30	9
222	CFA00025	SETSCREW M10X30	17
223	CFA00025	SETSCREW M10X30	27
224	CFA00025	SETSCREW M10X30	29
225	CFA00025	SETSCREW M10X30	105
226	CFA00026	BOLT M10X60	33
227	CFA00027	BOLT M10X60 Z/P	31
228	CFA00027	BOLT M10X60 Z/P	33
229	CFA00028	BOLT M10X65 Z/P	33
230	CFA00028	BOLT M10X65 Z/P	41
231	CFA00028	BOLT M10X65 Z/P	53
232	CFA00031	SETSCREW M12X25 Z/P	9
233	CFA00032	SETSCREW M12X30 Z/P	9
234	CFA00032	SETSCREW M12X30 Z/P	53
235	CFA00034	BOLT M12X90 Z/P	41
236	CFA00034	BOLT M12X90 Z/P	51
237	CFA00043	BOLT M16X80	51
238	CFA00045	SETSCREW M6X16	69
239	CFA00048	SHIM 50X62X1.0	15
240	CFA00048	SHIM 50X62X1.0	39
241	CFA00048	SHIM 50X62X1.0	53
242	CFA00052	SETSCREW M8X20 Z/P	7
243	CFA00052	SETSCREW M8X20 Z/P	45
244	CFA00052	SETSCREW M8X20 Z/P	45
245	CFA00052	SETSCREW M8X20 Z/P	47
246	CFA00052	SETSCREW M8X20 Z/P	47
247	CFA00052	SETSCREW M8X20 Z/P	49
248	CFA00052	SETSCREW M8X20 Z/P	65
249	CFA00052	SETSCREW M8X20 Z/P	69
250	CFA00054	SETSCREW M6X60 Z/P	67

	Part Code	Description	Page
251	CFA00055	BOLT M8X35 Z/P	7
252	CFA00061	BOLT M16X170 Z/P	11
253	CFA00065	SETSCREW M12X45 Z/P	69
254	CFA00068	BOLT M10X25 CUP SQ. Z/P	31
255	CFA00075	BOLT M10X75 Z/P	31
256	CFA00079	BOLT M12X45	27
257	CFA00081	KEY 10X8X45	31
258	CFA00099	SETSCREW M6X40 Z/P	41
259	CFA00099	SETSCREW M6X40 Z/P	51
260	CFA00101	SETSCREW M8X16 Z/P	31
261	CFA00101	SETSCREW M8X16 Z/P	33
262	CFA00102	SETSCREW M8X25 Z/P	7
263	CFA00102	SETSCREW M8X25 Z/P	9
264	CFA00102	SETSCREW M8X25 Z/P	29
265	CFA00102	SETSCREW M8X25 Z/P	31
266	CFA00102	SETSCREW M8X25 Z/P	41
267	CFA00102	SETSCREW M8X25 Z/P	47
268	CFA00102	SETSCREW M8X25 Z/P	67
269	CFA00106	BOLT M8X45 Z/P	31
270	CFA00111	GREASE NIPPLE M10X1.5 STRAIGHT	83
271	CFA00115	SETSCREW M6X20 Z/P	45
272	CFA00116	BOLT M16X50 Z/P	105
273	CFA00118	GREASE NIPPLE M8X1.25 STRAIGHT	39
274	CFA00118	GREASE NIPPLE M8X1.25 STRAIGHT	43
275	CFA00118	GREASE NIPPLE M8X1.25 STRAIGHT	47
276	CFA00118	GREASE NIPPLE M8X1.25 STRAIGHT	85
277	CFA00121	M18 WHEEL NUT	23
278	CFA00123	NUT M10 NYLOC	9
279	CFA00123	NUT M10 NYLOC	29
280	CFA00123	NUT M10 NYLOC	31
281	CFA00123	NUT M10 NYLOC	33
282	CFA00123	NUT M10 NYLOC	35
283	CFA00123	NUT M10 NYLOC	51
284	CFA00123	NUT M10 NYLOC	67
285	CFA00123	NUT M10 NYLOC	69
286	CFA00123	NUT M10 NYLOC	105
287	CFA00124	NUT M12 NYLOC	7
288	CFA00124	NUT M12 NYLOC	9
289	CFA00124	NUT M12 NYLOC	21
290	CFA00124	NUT M12 NYLOC	27
291	CFA00124	NUT M12 NYLOC	29
292	CFA00124	NUT M12 NYLOC	33
293	CFA00124	NUT M12 NYLOC	39
294	CFA00124	NUT M12 NYLOC	41
295	CFA00124	NUT M12 NYLOC	47
296	CFA00124	NUT M12 NYLOC	51
297	CFA00124	NUT M12 NYLOC	69
298	CFA00124	NUT M12 NYLOC	105
299	CFA00125	NUT M12 Z/P	31
300	CFA00127	NUT M16	39

	Part Code	Description	Page
301	CFA00127	NUT M16	51
302	CFA00128	NUT M16 NYLOC	7
303	CFA00128	NUT M16 NYLOC	11
304	CFA00128	NUT M16 NYLOC	21
305	CFA00128	NUT M16 NYLOC	27
306	CFA00128	NUT M16 NYLOC	39
307	CFA00128	NUT M16 NYLOC	51
308	CFA00128	NUT M16 NYLOC	63
309	CFA00128	NUT M16 NYLOC	69
310	CFA00128	NUT M16 NYLOC	105
311	CFA00131	NUT M6 NYLOC	41
312	CFA00131	NUT M6 NYLOC	43
313	CFA00131	NUT M6 NYLOC	67
314	CFA00131	NUT M6 NYLOC	69
315	CFA00132	NUT M8 NYLOC Z/P	7
316	CFA00132	NUT M8 NYLOC Z/P	9
317	CFA00132	NUT M8 NYLOC Z/P	21
318	CFA00132	NUT M8 NYLOC Z/P	29
319	CFA00132	NUT M8 NYLOC Z/P	41
320	CFA00132	NUT M8 NYLOC Z/P	43
321	CFA00132	NUT M8 NYLOC Z/P	45
322	CFA00132	NUT M8 NYLOC Z/P	45
323	CFA00132	NUT M8 NYLOC Z/P	47
324	CFA00132	NUT M8 NYLOC Z/P	49
325	CFA00132	NUT M8 NYLOC Z/P	63
326	CFA00132	NUT M8 NYLOC Z/P	65
327	CFA00132	NUT M8 NYLOC Z/P	69
328	CFA00134	WASHER MUDWING M10X38MM OD	27
329	CFA00135	WASHER FLAT 1" Z/P	7
330	CFA00135	WASHER FLAT 1" Z/P	11
331	CFA00135	WASHER FLAT 1" Z/P	37
332	CFA00135	WASHER FLAT 1" Z/P	51
333	CFA00137	WASHER SPRING 10MM H.D Z/P	31
334	CFA00137	WASHER SPRING 10MM ZP HD	33
335	CFA00137	WASHER SPRING 10MM ZP HD	35
336	CFA00137	WASHER SPRING 10MM H.D Z/P	67
337	CFA00138	WASHER FLAT 12MM Z/P	9
338	CFA00138	WASHER FLAT 12MM Z/P	21
339	CFA00138	WASHER FLAT 12MM Z/P	33
340	CFA00138	WASHER FLAT 12MM Z/P	41
341	CFA00138	WASHER FLAT 12MM Z/P	43
342	CFA00138	WASHER FLAT 12MM Z/P	47
343	CFA00138	WASHER FLAT 12MM Z/P	51
344	CFA00138	WASHER FLAT 12MM Z/P	69
345	CFA00138	WASHER FLAT 12MM Z/P	105
346	CFA00139	WASHER FLAT 12MM H/D Z/P	27
347	CFA00140	WASHER FLAT 16MM Z/P	7
348	CFA00140	WASHER FLAT 16MM Z/P	11
349	CFA00140	WASHER FLAT 16MM Z/P	21
350	CFA00140	WASHER FLAT 16MM Z/P	27

	Part Code	Description	Page
351	CFA00140	WASHER FLAT 16MM Z/P	29
352	CFA00140	WASHER FLAT 16MM Z/P	63
353	CFA00140	WASHER FLAT 16MM Z/P	67
354	CFA00140	WASHER FLAT 16MM Z/P	69
355	CFA00140	WASHER FLAT 16MM Z/P	105
356	CFA00142	O RING 95X3MM	17
357	CFA00142	WASHER SPRING 16MM Z/P	21
358	CFA00144	WASHER FLAT 6MM Z/P	41
359	CFA00144	WASHER FLAT 6MM Z/P	43
360	CFA00144	WASHER FLAT 6MM Z/P	45
361	CFA00144	WASHER FLAT 6MM Z/P	69
362	CFA00147	WASHER FLAT 8MM Z/P	7
363	CFA00147	WASHER FLAT 8MM Z/P	9
364	CFA00147	WASHER FLAT 8MM Z/P	21
365	CFA00147	WASHER FLAT 8MM Z/P	41
366	CFA00147	WASHER FLAT 8MM Z/P	43
367	CFA00147	WASHER FLAT 8MM Z/P	45
368	CFA00147	WASHER FLAT 8MM Z/P	45
369	CFA00147	WASHER FLAT 8MM Z/P	47
370	CFA00147	WASHER FLAT 8MM Z/P	47
371	CFA00147	WASHER FLAT 8MM Z/P	49
372	CFA00147	WASHER FLAT 8MM Z/P	51
373	CFA00147	WASHER FLAT 8MM Z/P	63
374	CFA00147	WASHER FLAT 8MM Z/P	65
375	CFA00147	WASHER FLAT 8MM Z/P	69
376	CFA00183	HOSE CLAMP PLATE	9
377	CFA00194	LINCH PIN PIPE 10MMX50MM	27
378	CFA00199	ROLL PIN 5X25 Z/P	67
379	CFA00201	WASHER FLAT 10 MM Z/P	9
380	CFA00201	WASHER FLAT 10 MM Z/P	29
381	CFA00201	WASHER FLAT 10 MM Z/P	29
382	CFA00201	WASHER FLAT 10 MM Z/P	31
383	CFA00201	WASHER FLAT 10 MM Z/P	33
384	CFA00201	WASHER FLAT 10 MM Z/P	35
385	CFA00201	WASHER FLAT 10 MM Z/P	51
386	CFA00201	WASHER FLAT 10 MM Z/P	67
387	CFA00201	WASHER FLAT 10 MM Z/P	67
388	CFA00201	WASHER FLAT 10 MM Z/P	69
389	CFA00201	WASHER FLAT 10 MM Z/P	105
390	CFA00202	LINCH PIN 6MM	11
391	CFA00207	WASHER SPRING 12MM HD Z/P	33
392	CFA00209	BOLT M16X120 Z/P	51
393	CFA00209	BOLT M16X120 Z/P	105
394	CFA00217	GREASE NIPPLE M6X1.0 ST	31
395	CFA00217	GREASE NIPPLE M6X1.0 ST	33
396	CFA00222	WASHER FLAT 14MM Z/P	67
397	CFA00232	CIRCLIP 85MM INTERNAL	29
398	CFA00235	WHEEL STUD M18X1.5	23
399	CFA00239	KEY 10X8X40	29
400	CFA00239	KEY 10X8X40	31

	Part Code	Description	Page
401	CFA00249	WASHER SKM8	65
402	CFA00250	WASHER SKM12	7
403	CFA00250	WASHER SKM12	9
404	CFA00250	WASHER SKM12	15
405	CFA00250	WASHER SKM12	31
406	CFA00250	WASHER SKM12	53
407	CFA00251	WASHER SKM10	15
408	CFA00251	WASHER SKM10	27
409	CFA00251	WASHER SKM10	29
410	CFA00251	WASHER SKM10	33
411	CFA00251	WASHER SKM10	35
412	CFA00251	WASHER SKM10	37
413	CFA00251	WASHER SKM10	41
414	CFA00251	WASHER SKM10	45
415	CFA00251	WASHER SKM10	53
416	CFA00251	WASHER SKM10	65
417	CFA00252	WASHER SKM16	47
418	CFA00252	WASHER SKM16	69
419	CFA00259	BOLT M16X150 Z/P	47
420	CFA00259	BOLT M16X150 Z/P	69
421	CFA00261	SETSCREW M5X25 CSK HEX SS	9
422	CFA00272	BOLT M12X50 Z/P	21
423	CFA00282	BOLT M16X45	7
424	CFA00295	SETSCREW M12X110 Z/P	21
425	CFA00297	BOLT M12X40 Z/P	43
426	CFA00297	BOLT M12X40 Z/P	47
427	CFA00297	BOLT M12X40 Z/P	69
428	CFA00297	BOLT M12X40 Z/P	105
429	CFA00311	SETSCREW M10X35 Z/P	31
430	CFA00316	BOLT M8X30 Z/P	9
431	CFA00316	BOLT M8X30 Z/P	51
432	CFA00316	BOLT M8X30 Z/P	63
433	CFA00321	NUT M5 NYLOC	9
434	CFA00324	SETSCREW M12X40	17
435	CFA00330	BOLT M12X80 Z/P	15
436	CFA00330	BOLT M12X80 Z/P	31
437	CFA00330	BOLT M12X80 Z/P	39
438	CFA00332	SETSCREW M16X85 Z/P	21
439	CFA00337	WASHER FLAT 5MM Z/P	9
440	CFA00339	CIRCLIP 20MM EXTERNAL	69
441	CFA00348	NUT M5 NYLOC SS	69
442	CFA00370	18MM HOSE CLAMP	9
443	CFA00380	ROLL PIN 8X40 Z/P	37
444	CFA00386	NUT M16X1.5 NYLOC FINE THREAD	11
445	CFA00401	NUT M30X2 FINE THREAD	39
446	CFA00401	NUT M30X2 FINE THREAD	53
447	CFA00402	CIRCLIP 30MM EXTERNAL	35
448	CFA00414	NUT M16X1.5 NYLOC FINE THREAD	7
449	CFA00417	NUT M12X1.5 NYLOC FINE THREAD	41
450	CFA00417	NUT M12X1.5 NYLOC FINE THREAD	43

	Part Code	Description	Page
451	CFA00417	NUT M12X1.5 NYLOC FINE THREAD	47
452	CFA00419	NUT M24X2 NYLOC FINE THREAD	11
453	CFA00420	NUT M30X2 NYLOC FINE THREAD	11
454	CFA00427	SETSCREW M6X16 BUTTON HEAD	41
455	CFA00427	SETSCREW M6X16 BUTTON HEAD	43
456	CFA00429	SETSCREW M8X20 BUTTON HEAD	63
457	CFA00442	SETSCREW M10X25 CUP SQ	29
458	CFA00442	SETSCREW M10X25 CUP SQ	33
459	CFA00442	SETSCREW M10X25 CUP SQ	35
460	CFA00446	NUT M12 HEXAGON LOCK/HALF NUT	35
461	CFA00446	NUT M12 HEXAGON LOCK/HALF NUT	67
462	CFA00450	SPLIT PIN 4 X36 Z/P	67
463	CFA00452	CIRCLIP 95MM INTERNAL	55
464	CFA00461	CIRCLIP 52MM INTERNAL	65
465	CFA00474	BOLT M10X70 CUP SQUARE ZP	33
466	CFA00475	SPLIT PIN 5X40 Z/P	65
467	CFA00492	SETSCREW M8X12 FLANGED Z/P	33
468	CFA00493	BOLT M12X130 CUP SQUARE Z/P	29
469	CFA00498	BOLT M16 X 80 Z/P	27
470	CFA00499	CIRCLIP 10MM EXTERNAL	65
471	CFA00501	CIRCLIP 65MM EXTERNAL	65
472	CFA00502	BOLT M8X35 CUPHEAD SQ Z/P	21
473	CFA00506	SETSCREW M8X20 CUPHEAD SQ ZP	9
474	CFA00506	SETSCREW M8X20 CUPHEAD SQ ZP	43
475	CFA00512	SHIM 35X45X1.0 Z/P	31
476	CFA00512	SHIM 35X45X1.0 Z/P	35
477	CFA00513	CIRCLIP 60MM EXTERNAL	29
478	CFA00514	CIRCLIP 35MM EXTERNAL	29
479	CFA00514	CIRCLIP 35MM EXTERNAL	31
480	CFA00517	BOLT M12X120 Z/P	21
481	CFA00518	CAMLOC BALER DOOR	71
482	CFA00519	SETSCREW M8X16 FLD ZP	7
483	CFA00519	SETSCREW M8X16 FLD ZP	43
484	CFA00519	SETSCREW M8X16 FLD ZP	45
485	CFA00519	SETSCREW M8X16 FLD ZP	47
486	CFA00519	SETSCREW M8X16 FLD ZP	49
487	CFA00519	SETSCREW M8X16 FLD ZP	53
488	CFA00520	SETSCREW M10X25 FLD ZP	33
489	CFA00520	SETSCREW M10X25 FLD ZP	43
490	CFA00520	SETSCREW M10X25 FLD ZP	47
491	CFA00538	SPIROL PIN 8X45 S/C	35
492	CFA00542	OILER FITTING 90 DEG 1/8" BSP	31
493	CFA00542	OILER FITTING 90 DEG 1/8" BSP	33
494	CFA00543	6MM X 1/8" 90° GREASE FITTING	53
495	CFA00543	6LL FITTING ELBOW	87
496	CFA00543	6LL FITTING ELBOW	93
497	CFA00544	6LL COUPLING NUT	87
498	CFA00544	COUPLING NUT	91
499	CFA00545	STEEL OLIVE	87
500	CFA00545	STEEL OLIVE	91

	Part Code	Description	Page
501	CFA00546	BOLT M10X85 CUP HEAD SQ Z/P	33
502	CFA00549	GREASE FITTING 6MM X 1/8" 0°	41
503	CFA00549	6LL FITTING STRAIGHT	87
504	CFA00549	6LL FITTING STRAIGHT	93
505	CFA00551	CIRCLIP 40MM EXTERNAL	29
506	CFA00556	SPLIT PIN 6X50 Z/P	67
507	CFA00558	KEY 12X8X60	29
508	CFA00559	GRUBSCREW M10X12	29
509	CFA00559	GRUBSCREW M10X12	55
510	CFA00586	BOLT M12X60X10.9 FINDTHREAD ZP	41
511	CFA00586	BOLT M12X60X10.9 FINDTHREAD ZP	43
512	CFA00586	BOLT M12X60X10.9 FINDTHREAD ZP	47
513	CFA00590	GREASE NIPPLE 1/8" BSP ST	41
514	CFA00590	GREASE NIPPLE 1/8" BSP ST	43
515	CFA00590	GREASE NIPPLE 1/8" BSP ST	87
516	CFA00591	BOLT M8X25 CUP SQ Z/P	63
517	CFA00592	BOLT M12X70 ZP	51
518	CFA00593	SETSCREW M8X30 CSK ZP	49
519	CFA00602	SETSCREW M10X30 SOC CAP Z/P	29
520	CFA00602	SETSCREW M10X30 SOC CAP Z/P	83
521	CFA00607	BONNET CATCHER	71
522	CFA00608	SETSCREW M5X25 CSK HEAD SS	69
523	CFA00624	KEY 10x8x40 STRAIGHT	33
524	CFA00625	M10 x 20 GRUBSCREW	31
525	CFA00625	M10 x 20 GRUBSCREW	33
526	CFA00641	WASHER FLAT 6MM NYLON	67
527	CFA00648	GREASE FITTING TO BLOCK 1/8"	39
528	CFA00648	GREASE FITTING TO BLOCK 1/8"	51
529	CFA00648	CHECK VALVE	87
530	CFA00648	CHECK VALVE	91
531	CFA00652	CIRCLIP 110X4	17
532	CFA00658	SHIM 100X120X0.1	17
533	CFA00660	SHIM 100X120X0.5	17
534	CFA00661	SHIM 100X120X1	17
535	CFA00662	DOWEL	17
536	CFA00664	BOLT M10X60 SOC CAP Z/P	35
537	CFA00669	SPLIT PIN 8X50 Z/P	37
538	CFA00672	EYE BOLT SPRING TENSIONER	39
539	CFA00672	EYE BOLT 16MM TENSIONER	51
540	CFA00673	BOLT M16X230 ZP	7
541	CFA00673	BOLT M16X230 ZP	21
542	CFA00679	BOLT M24X180 FINE THREAD	11
543	CFA00680	BOLT EYE M10X195	69
544	CFA00681	6LL UNION (COMPLETE)	87
545	CFA00682	COMPRESSION NUT	87
546	CFA00683	BRASS OLIVE	87
547	CFA00693	ROLL PIN 10X95	19
548	CFA00694	FLEXIBLE ROLL PIN	19
549	CFA00695	SCREW FUSION PTO	19
550	CFA00696	WASHER	19

	Part Code	Description	Page
551	CFA00708	LINCH PIN PIPE 9.5X57	27
552	CFA00712	M30X170 FINE THREAD	11
553	CFA00748	BOLT M24X120 METRIC FINE	11
554	CFA00750	LOCKING PIN	23
555	CFA00751	CASTLE NUT FOR CAX00063	23
556	CFA00760	SETSCREW M6X10 CSK Z/P DIN 7991	39
557	CFA00776	GREASE NIPPLE M10X1.0 45 DEG	45
558	CFA00776	GREASE NIPPLE M10x1 45 DEG	93
559	CFA00777	BOLT M12X80 GRADE 10.9 S/C	31
560	CFA00782	DIN6916 WASH M16 GRD295HV	7
561	CFA00783	WASHER NL16 NORD-LOCK	29
562	CFA00786	BOLT M16X60 Z/P GRADE 10.9	29
563	CFA00787	BOLT M16X100 Z/P GRADE 10.9	29
564	CFA02202	SLOTTED NUT KM 8	17
565	CFA02203	LOCKING WASHER MB 8	17
566	CFA02204	SHIM 45X55X0.1	17
567	CFA02205	SHIM 45X55X0.2	17
568	CFA02206	SHIM 45X55X0.5	17
569	CFA02207	SHIM 45X55X1	17
570	CFA02208	SHIM 90X110X0.1	17
571	CFA02209	SHIM 90X110X0.2	17
572	CFA02210	SHIM 90X110X0.5	17
573	CFA02211	SHIM 90X110X1	17
574	CFA02212	SHIM 100X120X0.2	17
575	CFA02213	BOLT M16X110 X10.9 FINE THREAD	7
576	CFA02214	BOLT M16X80X10.9 FT ZP	11
577	CGD00034	GUARD REEL LEFT HAND	33
578	CGD00036	GUARD REEL RIGHT	33
579	CGD00050	CAM TRACK BLANKING CAP	33
580	CGD00057	GUARD SLIPCLUTCH PICKUP REEL	31
581	CGD00067	GUARD BALER BACK DOOR LOWER	71
582	CGD00068	GUARD BALER BACK DOOR UPPER	71
583	CGD00080	GUARD ASSY GEARBOX S	71
584	CGD00081	GUARD ASSY GEARBOX ST BALER	71
585	CGD00082	GUARD ASSY FRONT LEFT	71
586	CGD00084	GUARD ASSY LEFT ST BALER	71
587	CGD00085	GUARD ASSY RIGHT ST BALER	71
588	CGD00086	DOOR STRIKER DS ASSY	7
589	CGD00086	DOOR STRIKER DS ASSY	49
590	CGD00087	DOOR STRIKER ND ASSY ST BALER	7
591	CGD00087	DOOR STRIKER ND ASSY ST BALER	45
592	CGD00092	F550 BACK DOOR BOTTOM GUARD	71
593	CGD00093	LEFT DOOR BACK MOUNT PANEL	39
594	CGD00105	GUARD FRONT BALER WE	9
595	CGD00156	GUARD GEARBOX	15
596	CGD00164	GUARD ASSY FRONT RIGHT	71
597	CGD00165	PANNEL ASSY ST BALER	45
598	CGD00165	PANNEL ASSY ST BALER	71
599	CHY00015	WASHER DOWTY 1/4"	75
600	CHY00015	WASHER DOWTY 1/4"	79

	Part Code	Description	Page
601	CHY00053	WASHER DOWTY 1/2"	79
602	CHY00133	GAUGE PRESSURE 63DIA FLANGE	71
603	CHY00869	BEKA OIL TANK	89
604	CHY00870	BEKA OIL TANK BRACKET	89
605	CHY00871	BEKA OIL TANK FILTER	89
606	CHY00872	BEKA OIL TANK CAP	89
607	CHY00873	BEKA OIL TANK FITTING	89
608	CHY00892	TUBE 10 X 8 X 300 OILER TANK	89
609	CHY00893	CHAIN OIL PIPE TEE PIECE	89
610	CHY02002	3/8" - 3/8" M/M ADAPTOR	73
611	CHY02002	3/8" - 3/8" M/M ADAPTOR	73
612	CHY02002	3/8" - 3/8" M/M ADAPTOR	73
613	CHY02002	3/8" - 3/8" M/M ADAPTOR	73
614	CHY02002	ADAPTOR 3/8"M-3/8"M	79
615	CHY02008	1/2" - 3/8" M/M ADAPTOR	73
616	CHY02008	1/2" - 3/8" M/M ADAPTOR	73
617	CHY02008	ADAPTOR 1/2"M - 3/8"M	79
618	CHY02010	1/4" - 1/4" M/M ADAPTOR	73
619	CHY02010	1/4" - 1/4" M/M ADAPTOR	73
620	CHY02010	1/4" - 1/4" M/M ADAPTOR	73
621	CHY02010	1/4" - 1/4" M/M ADAPTOR	73
622	CHY02010	ADAPTOR 1/4" BSP M/M	75
623	CHY02010	ADAPTOR 1/4M - 1/4"M	79
624	CHY02013	1/2" - 1/2" M/M ADAPTOR	73
625	CHY02015	QR 1/2" MALE PARKER 7V14G4X4	79
626	CHY02085	ADAPTOR 1/2"M - 1/4"M	79
627	CHY02103	ADAPTOR 1/4M - 1/4"F	79
628	CHY02120	STEEL PIPE ASSY PICK UP REEL	31
629	CHY02195	1/4" X 565MM STR FM - 90FM	81
630	CHY02195	1/4" X 565MM STR FM - 90 FM	81
631	CHY02196	1/4" X 510MM STR FM - 90 FM	81
632	CHY02215	1/4" X 550MM STR FM - 90 FM	81
633	CHY02246	1/4" X 425MM STR FM - 90 FM	81
634	CHY02323	HOSE STUD ELBOW	87
635	CHY02324	HOSE STUD STRAIGHT	87
636	CHY02325	THREADED SLEEVE	87
637	CHY02342	GREASE PIPE 1 BACK DOOR DS	41
638	CHY02343	GREASE PIPE 2 BACK DOOR DS	41
639	CHY02344	GREASE PIPE 3 BACK DOOR DS	41
640	CHY02345	GREASE PIPE 4 BACK DOOR DS	41
641	CHY02346	GREASE PIPE 5 BACK	41
642	CHY02347	GREASE PIPE 6 BACK	41
643	CHY02348	GREASE PIPE 7 BACK	41
644	CHY02349	GREASE PIPE 8 BACK	41
645	CHY02350	GREASE PIPE 9 BACK	41
646	CHY02351	GREASE PIPE 10 BACK	41
647	CHY02361	GREASE PIPE 2 FRONT DOOR DS	51
648	CHY02362	GREASE PIPE 3 FRONT DOOR DS	51
649	CHY02363	GREASE PIPE 4 FRONT DOOR DS	51
650	CHY02364	GREASE PIPE 5 FRONT DOOR DS	51

	Part Code	Description	Page
651	CHY02365	GREASE PIPE 6 FRONT DOOR DS	51
652	CHY02366	GREASE PIPE 7 FRONT DOOR DS	51
653	CHY02367	GREASE PIPE 8 FRONT DOOR DS	51
654	CHY02368	GREASE PIPE 9 FRONT DOOR DS	51
655	CHY02387	1/4" X 440MM STR FM - 90 FM	81
656	CHY02395	3/8" X 2880MM STR FM - STR FM	81
657	CHY02396	3/8" X 640MM STR FM - 90 FM	81
658	CHY02399	1/4" X 3520MM STR FM - 90 FM	81
659	CHY02400	3/8" X 3480MM STR FM - STR FM	81
660	CHY02401	3/8" X 3610MM STR FM - 90 FM	81
661	CHY02402	1/4" X 3570MM STR FM - 90 FM	81
662	CHY02420	1/4" X 330MM STR FM - 90 FM	81
663	CHY02421	1/4" X 340MM STR FM - 90 FM	81
664	CHY02424	STEEL PIPE ASSY (EXTRA) F550	31
665	CHY02477	PRESSURE GAUGE HOSE 1200MM	81
666	CHY02486	GREASE PIPE10 FRONT	51
667	CHY02487	GREASE PIPE11 FRONT	51
668	CHY02503	1/4" X 1040MM STR FM - 90 FM	81
669	CHY02524	STEEL PIPES 5 BANK ASSY	31
670	CHY02553	1/4" M - FM ADAPTOR	75
671	CHY02553	VALVE BLOCK	75
672	CHY02554	1/4" BLANKING CAP	75
673	CHY02555	GREASE PIPE ROTOR F540	45
674	CKN00013	KNIFE FOR NET UNIT VERSION 2	67
675	CLT00038	BOOKLET OPERATOR MANUAL SFT	19
676	CMH00205	BUSH 30X50X32	11
677	CMH00245	BEARING RETAINER 1040 35MM	29
678	CMH00387	PIN 25 X 120 MILLED FOR CAP	51
679	CMH00418	PIN 20X30X125 STEPPED&M16	63
680	CMH00445	BEARING ROLLER SLEEVE 50 ID	39
681	CMH00445	BEARING ROLLER SLEEVE 50 ID	53
682	CMH00463	SPROCKET 1 1/4" 13 TOOTH	39
683	CMH00463	SPROCKET 1 1/4" 13 TOOTH	51
684	CMH00464	BUSH 45X17X10 STEPPED 25	39
685	CMH00464	BUSH 45X17X10 STEPPED 25	51
686	CMH00467	BUSH 45X12.5X52 STEPPED 35	39
687	CMH00467	BUSH 45X12.5X52 STEPPED 35	51
688	CMH00493	FLANGE 40 X 170 X 10	47
689	CMH00507	BUSH 39X56X33 TAPPER	39
690	CMH00507	BUSH 39X56X33 TAPPER	53
691	CMH00508	BUSH 36X58X47 TAPPER	53
692	CMH00510	BUSH 50X68X12.5 STEP	39
693	CMH00510	BUSH 50X68X12.5 STEP	53
694	CMH00511	BUSH 90X135X46 BEARING HOUSING	55
695	CMH00528	BOLT M16X65 MACHINED	69
696	CMH00596	V BELT PULLEY WHEEL	65
697	CMH00596	V BELT PULLEY WHEEL	69
698	CMH00603	GEAR SPUR MOD 2.5 10 TOOTH	65
699	CMH00611	PULLEY 85MM OD GROVED	69
700	CMH00621	PLATWEHEEL 3/4" PITCH 40 T	33

	Part Code	Description	Page
701	CMH00633	SPROCKET 3/4" PITCH 19T DOUBLE	31
702	CMH00652	GEAR SPUR 20 TOOTH SPLINE	29
703	CMH00653	GEAR SPUR MOD6 20T 40MM ID	29
704	CMH00657	SHAFT 40 X 450.5 STE	29
705	CMH00659	SPROCKET 1" PITCH 25 T DUPLEX	29
706	CMH00672	BOLT SHOULDER 3/4" H	35
707	CMH00672	BOLT SHOULDER 3/4" H	67
708	CMH00696	FLANGE 90X140X25 MACHINED	59
709	CMH00696	FLANGE 90X140X25 MACHINED	59
710	CMH00696	FLANGE 90X140X25 MACHINED	59
711	CMH00697	FLANGE 90X145X25 MACHINED	59
712	CMH00697	FLANGE 90X145X25 MACHINED	59
713	CMH00697	FLANGE 90X145X25 MACHINED	59
714	CMH00705	BUSH 10X25X10 NYLON	65
715	CMH00708	SPROCKET 1 1/4" PITCH 20T	53
716	CMH00736	BUSH 50X68X25 STEPPED 58	53
717	CMH00739	BUSH 40X75X50 STEPPED	83
718	CMH00740	BUSH 12X25X45	33
719	CMH00741	BUSH 12X25X55	33
720	CMH00742	BUSH 8X20X13 Z/P	7
721	CMH00742	BUSH 8X20X13 Z/P	47
722	CMH00742	BUSH 8X20X13 Z/P	71
723	CMH00745	BUSH 12X25X25	39
724	CMH00745	BUSH 12X25X25	43
725	CMH00745	BUSH 12X25X25	47
726	CMH00769	WEAR STRIP 15X40X120	49
727	CMH00771	BUSH 12X35 STEPPED	21
728	CMH00771	BUSH 12X35 STEPPED	27
729	CMH00771	BUSH 12X35 STEPPED	43
730	CMH00771	BUSH 12X35 STEPPED	47
731	CMH00771	BUSH 12X35 STEPPED	69
732	CMH00786	BUSH 52X80X25 STEPPED&CIRCLIP	65
733	CMH00812	BUSH 50X60X17	53
734	CMH00838	BUSH 27X30.25X62 REEL WHEEL	27
735	CMH00843	SHAFT 30X125 STEPPED & C-HOLES	35
736	CMH00873	BLANKING CAP QR ZP 1/2" FEMALE	9
737	CMH00905	BUSH 90X135X46 BEARING HOUSING	55
738	CMH00906	BEARING ROLLER SLEEVE 50 ID	39
739	CMH00906	BEARING ROLLER SLEEVE 50 ID	53
740	CMH00944	BUSH 60X75X20	21
741	CMH00961	PIN CLEVIS 16X86 & DIA 4 C.HOLE	29
742	CMH00962	PIN 30X200 STEPPED	27
743	CMH00976	BUSH 16X40X50	7
744	CMH01005	BUSH 44.45X20X40	11
745	CMH01029	BUSH 50X60X23 F550 GEARBOX	15
746	CMH01030	BUSH 50X60X12 F550 GEARBOX	15
747	CMH01035	PIN 25X97 AND12MM CH (Z/P)	33
748	CMH01066	WEAR STRIP 6X35X575	39
749	CMH01082	BUSH 10X50X16 STEPPED 35	31
750	CMH02205	SHAFT 40X115 STEPPED	47

	Part Code	Description	Page
751	CMH02206	WASHER MACHINED ST BALER	47
752	CMH02206	WASHER MACHINED ST BALER	69
753	CMH02236	SPROCKET 1 1/4" 16T 50MM SPLINE	15
754	CMH02251	INPUT SHAFT (PINION)	17
755	CMH02252	BEVELGEAR	17
756	CMH02253	MAIN SHAFT	17
757	CMH02254	BUSHING	17
758	CMH02255	BUSHING	17
759	CMT00072	GEARBOX BREATHER	15
760	CMT00072	FUSION GEARBOX BREATHER	17
761	CMT00073	DRAIN PLUG GEARBOX FUSION	15
762	CMT00073	DRAIN PLUG GEARBOX FUSION	17
763	CMT00104	GEARBOX HOUSING LEFT/RIGHT	17
764	CMT00108	YOKE QUICK- DISCONNECT	19
765	CMT00119	COMPLETE CROSS JOURNAL	19
766	CMT00120	YOKE TUBE OUTER	19
767	CMT00121	CENTRAL BODY	19
768	CMT00122	OUTER RILSAN TUBE	19
769	CMT00123	INNER RILSAN TUBE	19
770	CMT00124	YOKE TUBE INNER	19
771	CMT00126	COMPLETE CROSS JOURNAL	19
772	CMT00127	SHIELD CONE	19
773	CMT00128	SHIELD BEARING S6 OUTER YOKE	19
774	CMT00129	RING BEARING	19
775	CMT00130	GUARD CONE	19
776	CMT00131	GUARD CONE	19
777	CMT00132	SHIELD CONE	19
778	CMT00133	SHIELD BEARING S6 INNER YOKE	19
779	CMT00134	BALL COLLAR KIT	19
780	CMT00135	CLUTCH HOUSING	19
781	CMT00136	RING	19
782	CMT00138	PLUG CLUTCH RATCHET	19
783	CMT00139	SLEEVE BUSHING RATCHET	19
784	CMT00140	PIN	19
785	CMT00141	HUB	19
786	CMT00142	RING	19
787	CMT00143	RING	19
788	CMT00144	OR RING	19
789	CMT00145	QR COVER PART	19
790	CMT00146	ELASTIC RING	19
791	CMT00147	OUTER SHAFT ASSEMBLY	19
792	CMT00149	OUTER SHAFT ASSEMBLY + SHIELD	19
793	CMT00151	OUTER SHIELD	19
794	CMT00152	INNER SHIELD	19
795	CMT00153	COMPLETE SHIELD	19
796	CMT00157	GEAR BOX LIGHT DUTY BALER	7
797	CMT00157	GEAR BOX	9
798	CMT00157	GEARBOX F540	15
799	CMT00160	INPUT ASSY HOUSING	17
800	CMT00161	GEARBOX HOUSING CENTRE	17

	Part Code	Description	Page
801	CMT00180	TORQUE LIMITER 1800NM	19
802	CMT00181	SPRING PACK KIT 1800NM	19
803	CMT00182	INNER SHAFT ASSEMBLY 1800NM	19
804	CMT00183	INNER SHAFT ASSY+SHIELD 1800NM	19
805	CPL00043	PLASTIC CHAIN TENSIONER (REEL)	31
806	CPL00043	PLASTIC CHAIN TENSIONER (REEL)	33
807	CPL00045	TOOLBOX PLAS 270X151X13	49
808	CPL00052	NYLON SEAL ROLLER DRIVE SIDE	59
809	CPL00052	NYLON SEAL ROLLER DRIVE SIDE	59
810	CPL00052	NYLON SEAL ROLLER DRIVE SIDE	59
811	CPL00053	NYLON SEAL ROLLER NON DRIVE	59
812	CPL00053	NYLON SEAL ROLLER NON DRIVE	59
813	CPL00053	NYLON SEAL ROLLER NON DRIVE	59
814	CPL00055	CHAIN TENSIONER SLIDE 1"DUPEX	29
815	CPL00058	HANDLE INSERT BALER DOOR	71
816	CRA00171	GAS STRUT	71
817	CRA00186	RAM PICKUP BALER	29
818	CRA00187	RAM BARREL CRA00186	83
819	CRA00188	RAM ROD CRA00186	83
820	CRA00193	RAM CHOPPER FLOOR 20	37
821	CRA00198	PISTON FOR CRA00197	85
822	CRA00212	RAM CAP FOR CRA00193	85
823	CRA00213	SEAL GLAND FOR CRA00193 TOP	85
824	CRA00214	SEAL GLAND FOR CRA00193 BOTTO	85
825	CRA00260	SEAL GLAND ROR CRA00186 TOP	83
826	CRA00557	DOOR RAM F550	83
827	CSE00098	RADIAL SHAFT SEAL 35 X 50 X 8	47
828	CSE00099	SEAL OIL 58X80X8	55
829	CSE00123	SEAL KIT FOR RAM CRA00193	85
830	CSE00127	SEAL O-RING COPPER GEARBOX	15
831	CSE00127	COPPER WASHER	17
832	CSE00132	RADIAL SEAL 35X80X10	17
833	CSE00133	RADIAL SEAL 50X90X10	17
834	CSE00141	SEAL KIT CRA00186	83
835	CSE00143	OIL SEAL AXLE CAX00063	23
836	CSE00147	F550 DOOR RAM SEAL KIT	83
837	CSG00012	SPRING TOR 5.893X41X46.55X6.9	63
838	CSG00017	SPRING EXT 4.47X40.6X176X26	67
839	CSG00017	SPRING EXT 4.47X40.6X176X26	69
840	CSG00025	SPRING COMPX8.5X44.8	39
841	CSG00025	SPRING COMPX8.5X44.8	51
842	CSG00033	SPRING COMP 2.5WDX150DX9 COIL	67
843	CSG00037	SPRING COMP 7.92X68.	29
844	CSG00037	SPRING COMP 8X67X300X14	83
845	CSG00038	SPRING EXT 4.47X37.5X220X35	27
846	CSG00049	SPRING COMP 1.6X11.6X30X10	67
847	CSG00053	SPRING COMP 7X31.5X45X360	21
848	CST00602	DANGER LABEL - OUTER DRIVE TUB	19
849	CST00603	CE LABEL - DANGER DECAL	19
850	CST00624	NAME/ RATING PLATE	17

	Part Code	Description	Page
851	CTN00008	TINE PICK UP REEL BA	35
852	CTN00014	TINE STRAIGHT PICK UP REEL	35
853	CTP00048	BAND PICK UP REEL (BALER)	33
854	CTP00070	DUST CAP 170/60-8 VREDESTEN	27
855	CTP00075	PARKING CHOCKS BALE	45
856	CTP00076	BRACKET FOR PARKING CHOCK	45
857	CTP00080	PARKING JACK TOP SECTION	13
858	CTP00081	EXT PIECE PARKING JACK	13
859	CTP00092	HITCH EYE ST BALER	11
860	CTP00251	CAM AXLE (FORGED)	35
861	CTP00252	CAM TRACK	33
862	CTP00265	PIN HITCH 1" F550 DRAWBAR	11
863	CTP00274	HITCH AMERICAN F550	11
864	CTP00278	PLATFROM BALER (SHOR	9
865	CTP00292	COUPLING HEAD 80-3192 8-HOLE	11
866	CTP00308	CAP STEEL SLIP CLUTCH	31
867	CTP00315	GREASE PIPE ADAPTOR FITTING	45
868	CTP00315	GREASE PIPE ADAPTOR FITTING	93
869	CTP10002	PIN PARKING JACK BALER	13
870	CVA00151	ACCUMULATOR 0.15-0.16 L 30 BAR	45
871	CVA00243	CHECK VALVE CARTRIDGE	75
872	CVA00269	CHECK VALVE CARTRIDGE	77
873	CVA00273	DOOR KNIFE CONTROL V	45
874	CVA00274	FLOOR REEL CONTROL VALVE F550	45
875	CVA00318	VALVE DIVERTER 1/4" 6WAY DFE080	75
876	CVA00320	VALVE CTE RELIEF HAND KNOB	77
877	CVA00557	BLANKING CAP 1/4" (OLEOSTAR)	77
878	CVA00560	RELIEF VALVE ASSY	77
879	CVA00562	PISTON	77
880	CVA00563	OIL PUMP DRIVE	7
881	CVA00563	BEKA OIL PUMP DRIVE	15
882	CVA00563	BEKA OIL PUMP DRIVE	89
883	CVA00564	BEKA OIL PUMP	51
884	CVA00564	BEKA OIL PUMP	89
885	CVA00567	GREASE BLOCK 10 WAY (MANUAL)	39
886	CVA00567	GREASE BLOCK 10 WAY (MANUAL)	51
887	CVA00567	GREASE BLOCK 10-WAY [MANUAL]	87
888	CVA00571	VALVE ON/OFF DN 06 BKH-G 1/4"	45
889	CVA00573	BEKA OIL PUMP BOTTOM HOUSING	89
890	CVA00574	BEKA OIL PUMP SPUR GEAR	89
891	CVA03100	VALVE ON/OFF 3/8" BALL TYPE	79
892	CVA10015	HYD PISTON	75
893	CWH00035	WHEEL RIM 5.50AX8	27
894	CWH00036	TYRE 170/60-8 VREDESTEN 6PLY	27
895	CWH00037	WHEEL 170/60 -8 (V 64)	27
896	CWH00061	WHEEL ASSY 380/55-17	25
897	CWH00072	WHEEL ASY 13.5/75-430.9	25
898	CXR00117	ROD 10MM X 430 THREADED	67
899	CXT00185	TUBE 42.4X3X15	39
900	CXT00185	TUBE 42.4X3X15	51

	Part Code	Description	Page
901	CXT00259	TUBE 42.4X3X16	31
902	CXT00262	TUBE 70X4.5X27 RAM TUBE	29
903	CXT00291	TUBE 26.9X83	51
904	CXT00419	C030X7X112	11
905	CZB00133	1.5MM L CHAIN GUARD	71
906	CZB02093	1.5MM L KNIFE GUARD PEICE	67
907	CZB02160	1.5MM L SPUR GEAR GUARD BALER	29
908	CZB02204	1.5MM L TOP DOOR PANNEL PART	43
909	CZB02204	1.5MM L TOP DOOR PANNEL PART	71
910	CZB02205	1.5MM L TOP DOOR PANNEL PART	43
911	CZB02205	1.5MM L TOP DOOR PANNEL PART	71
912	CZB02209	1.5MM L GUARD PART ST BALER	71
913	CZB02248	1.5MM L SIDE GUARD ST BALER	71
914	CZB02249	1.5MM L SIDE GUARD S	71
915	CZB02281	1.5MM L CHAIN GUARD	71
916	CZB02325	1.5MM L CHAIN GUARD	49
917	CZC02057	3MM L CHAIN TENSIONE	39
918	CZC02057	3MM L CHAIN TENSIONE	51
919	CZC02063	3MM L BEARING RETAINER RING	55
920	CZC02139	3MM L TYNE BAR CHANNEL BALER	35
921	CZC02140	3MM L TYNE BAR CHANNEL BALER	35
922	CZC02215	3MM L DIRT COVER FOR NET UNIT	67
923	CZC02248	3MM L NET CARRIER PA	63
924	CZC02263	3MM L BACK DOOR SUPPORT	43
925	CZC02264	3MM L LIGHT BRACKET (F550)	39
926	CZC02264	3MM L LIGHT BRACKET (F550)	43
927	CZC02298	3MM L BEKA PUMP BRAC	9
928	CZC02298	3MM L BEKA PUMP BRAC	51
929	CZC03065	3MM L GUARD PART ST BALER	71
930	CZC03093	3MM L SENSOR BRACKET ST BALER	69
931	CZC03114	3MM L NET CLUTCH PAR	69
932	CZC03270	3MM L NET BOX PART	63
933	CZC04301	3MM L GEAR BOX WASHER	7
934	CZC04301	3MM L GEAR BOX WASHER	15
935	CZD00121	4MM L CUT & TIE SPACER Z/P	65
936	CZD02186	4MM L WASHER 50X13X4	51
937	CZD02227	4MM L CHOPPER UNIT PART	31
938	CZD02285	4MM L REEL GRASS PLATE	35
939	CZD02287	4MM L AUGER CLEANING PLATE (R)	31
940	CZD02325	4MM L WASHER 30X58X4 Z/P	35
941	CZD02382	4MM L STRIP TO HOLD	31
942	CZD02390	4MM L GRASS PLATE ST	21
943	CZD03001	4MM L PROXIMITY SWITCH BRCKT.	47
944	CZE00115	BALE SPLITTER WASHER	53
945	CZE00131	5MM L BALER DOOR HINGE PART	47
946	CZE00131	5MM L BALER DOOR HINGE PART	53
947	CZE00136	5MM L NET UNIT BRACKET	65
948	CZE00156	5MM L WASHER 35X55X5 Z/P	35
949	CZE00172	5MM L DOOR PLATE ST BALER	43
950	CZE04224	5MM L ST BALER DOOR	39

	Part Code	Description	Page
951	CZF00292	6MM L CAP LONG FOR 25MM PINS	51
952	CZF02215	6MM L WASHER 10.5X50X6 Z/P	31
953	CZF02215	6MM L WASHER 10.5X50X6 Z/P	33
954	CZF02803	6MM L DOOR STRUT BRACKET	71
955	CZF02904	6MM L GUARD BRACKET BALER	31
956	CZF02933	6MM L WASHER 30X37X6 Z/P	35
957	CZF03173	6MM L CHASSIS PART S	43
958	CZF03173	6MM L CHASSIS PART S	47
959	CZF03176	6MM L SPRING BRACKET	41
960	CZF03215	6MM L CHAIN BRACKET ST BALER	9
961	CZF03228	6MM L BALE RAMP PART	21
962	CZF03919	6MM L NET TENSION LINK ARM	47
963	CZF03919	6MM L NET TENSION LINK ARM	69
964	CZF03922	6MM L NET BAR STOP S	47
965	CZF03952	6MM L HOSE BRACKET PART	105
966	CZF04263	6MM L DRAWBAR WASHER Z/P	11
967	CZF04369	6MM L CAM TRACK BRAC	33
968	CZF04446	6MM L CHASSIS PART ST BALER	9
969	CZF04465	6MM L PLATFORM BRACKET	9
970	CZF04466	6MM L PLATFORM BRACKET	9
971	CZF04576	6MM L NET RESET ARM ST BALER	47
972	CZF04576	6MM L NET RESET ARM ST BALER	69
973	CZF04577	6MM L NET UNIT LINK ARM PART	65
974	CZF04602	6MM L NET BRAKE BAR PART	63
975	CZF04636	6MM L FRONT GUARD PART	9
976	CZG02115	8MM L AUGER SPACER	29
977	CZG02173	8MM L WASHER PART ST	21
978	CZG04245	8MM L WHEEL GUIDE PART	27
979	CZH02119	10MM L WASHER 10X40X12	7
980	CZH02119	10MM L WASHER 10X40X12	15
981	CZH02584	10MM L WASHER 40X10.5 Z/P	31
982	CZH02768	10MM L CHASSIS PART ST BALER	7
983	CZH02768	10MM L CHASSIS PART	21
984	CZH02907	10MM L WASHER 10X50 FLAT Z/P	33
985	CZH02912	10MM L CHASSIS PART	21
986	CZH02913	10MM L CHASSIS PART ST	21
987	CZH02914	10MM L PTO STAND PAR	11
988	CZH03169	10MM L HITCH PART ST BALER	105
989	CZH04293	10MM L WASHER 30X70X	9
990	CZI02044	12MM L CHASSIS PART FUSION	7

Notes: