

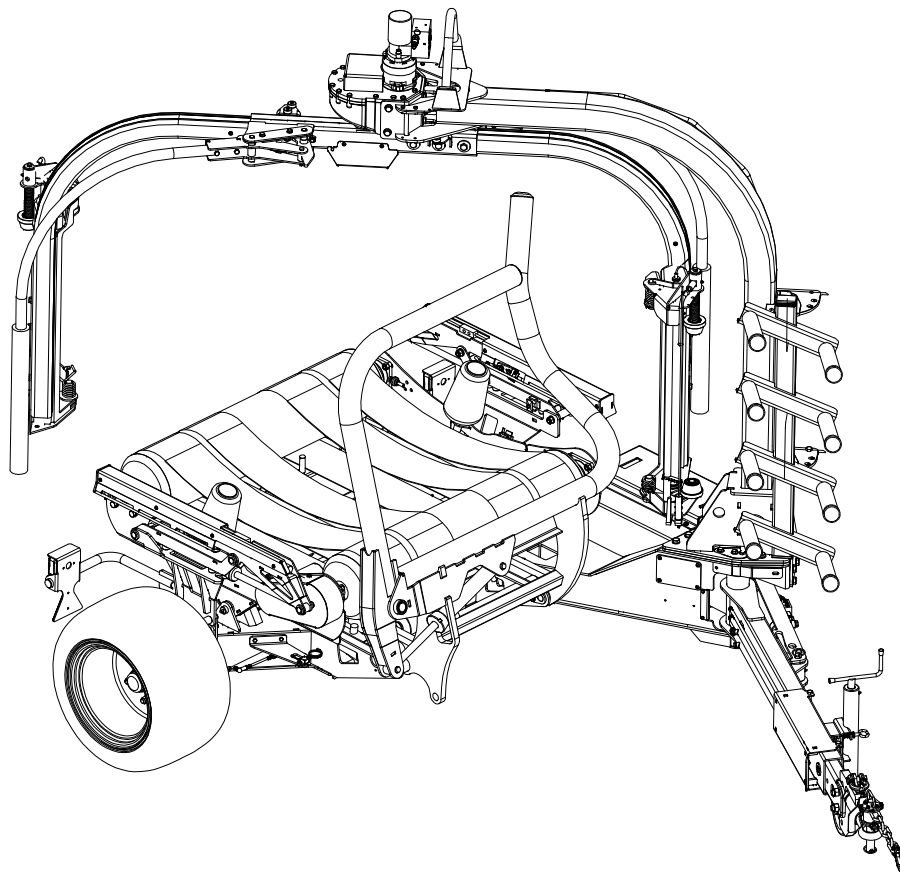
# McHale HS2000



QUALITY

I.S. EN ISO 9001:2015

NSAI Certified



## HS2000 Spare Parts Book

McHale,  
Ballinrobe,  
Co. Mayo, Ireland.

Tel: +353 94 9520300

Fax: +353 94 9520356

Email: [sales@mchale.net](mailto:sales@mchale.net)

Website: [www.mchale.net](http://www.mchale.net)

---

This page is intentionally left blank

---

## Introduction

---

The **McHale HS2000** which you have purchased has been developed through years of constant research and development. Given proper care and attention the **HS2000** will give years of reliable and dependable performance. However it is important that the operators manual is read and fully understood to achieve this, **before** the machine is operated. As part of this philosophy it is vital to use only **genuine McHale** replacement parts, as these are manufactured to the same high standard as the original machine. These may be obtained through your **McHale** dealer.

If any part of this manual is not fully understood, please contact your **McHale** dealer who will be able to answer any questions or queries that you might have. It is important to quote the machine serial number when requiring spare parts or technical assistance. Space is provided below to record the machine details:

<b>Serial number:</b>	
<b>Year of manufacture:</b>	
<b>Date of delivery:</b>	

If you require further copies of this spare parts manual please  
quote part number CLT00028

**Note:** Parts described as left and right are done so according to the direction that the machine normally travels in.

**Note:** Due to a policy of continuous product development and improvement *McHale Engineering* reserve the right to alter machine specifications without prior notice.

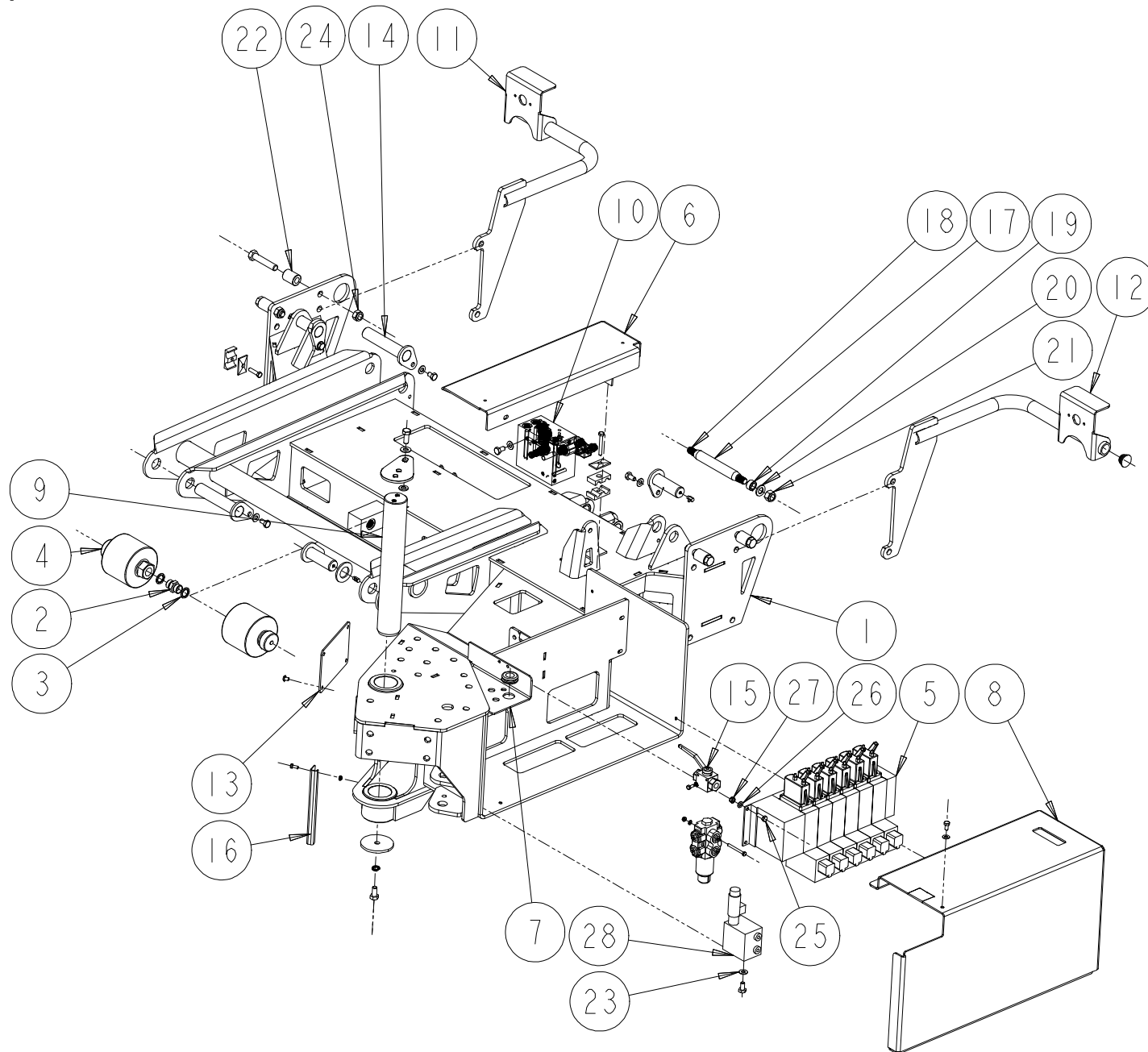
# Contents

Section	Page	Document	Section	Page	Document
<b>Chassis</b>			(914)		
Chassis 1 (201)	6	SPD00201	Electrical control 2 [From Serial No 551070 on] (915)	58	SPD00915
Chassis 2 (202)	8	SPD00202	Electronic steering - Wheel angle sensor (225)	60	SPD00225
Stub axle (203)	10	SPD00203	Remote control options (263)	62	SPD00263
Wheels (204)	12	SPD00204	Electrical lighting (220)	64	SPD00220
Arch & Spare film holder (205)	14	SPD00205	Baler attach kit (229)	66	SPD00229
Dispenser drive (206)	16	SPD00206	Camera kit (230)	68	SPD00230
Dispenser arm (207)	18	SPD00207	Camera & monitor kit (1079)	70	SPD01079
Dispenser (208)	20	SPD00208	<b>Decals</b>		
Cut & Hold bottom LH (209)	22	SPD00209	Decals 1 (221)	72	SPD00221
Cut & Hold bottom RH (210)	24	SPD00210			
Cut & Hold top (211)	26	SPD00211			
Lift arm (212)	28	SPD00212			
Table 1 (213)	30	SPD00213			
Table 2 (214)	32	SPD00214			
Drawbar (215)	34	SPD00215			
Side tip (223)	36	SPD00223			
Steering axle (224)	38	SPD00224			
Drawbar steering pin (227)	40	SPD00227			
<b>Hydraulic &amp; Electrical</b>					
Hydraulic hosing (222)	42	SPD00222			
Hydraulic valve main control (955)	44	SPD00955			
Hydraulic valve main control [Auto-steer] (216)	46	SPD00216			
Electrical control 1 (218)	48	SPD00218			
Expert control unit (1074)	50	SPD01074			
Electrical control 2 [Up to Serial No 550594] (219)	52	SPD00219			
Electrical control 2 [Serial No 550595 to 550769] (913)	54	SPD00913			
Electrical control 2 [Serial No 550770 to 551069]	56	SPD00914			

---

This page is intentionally left blank

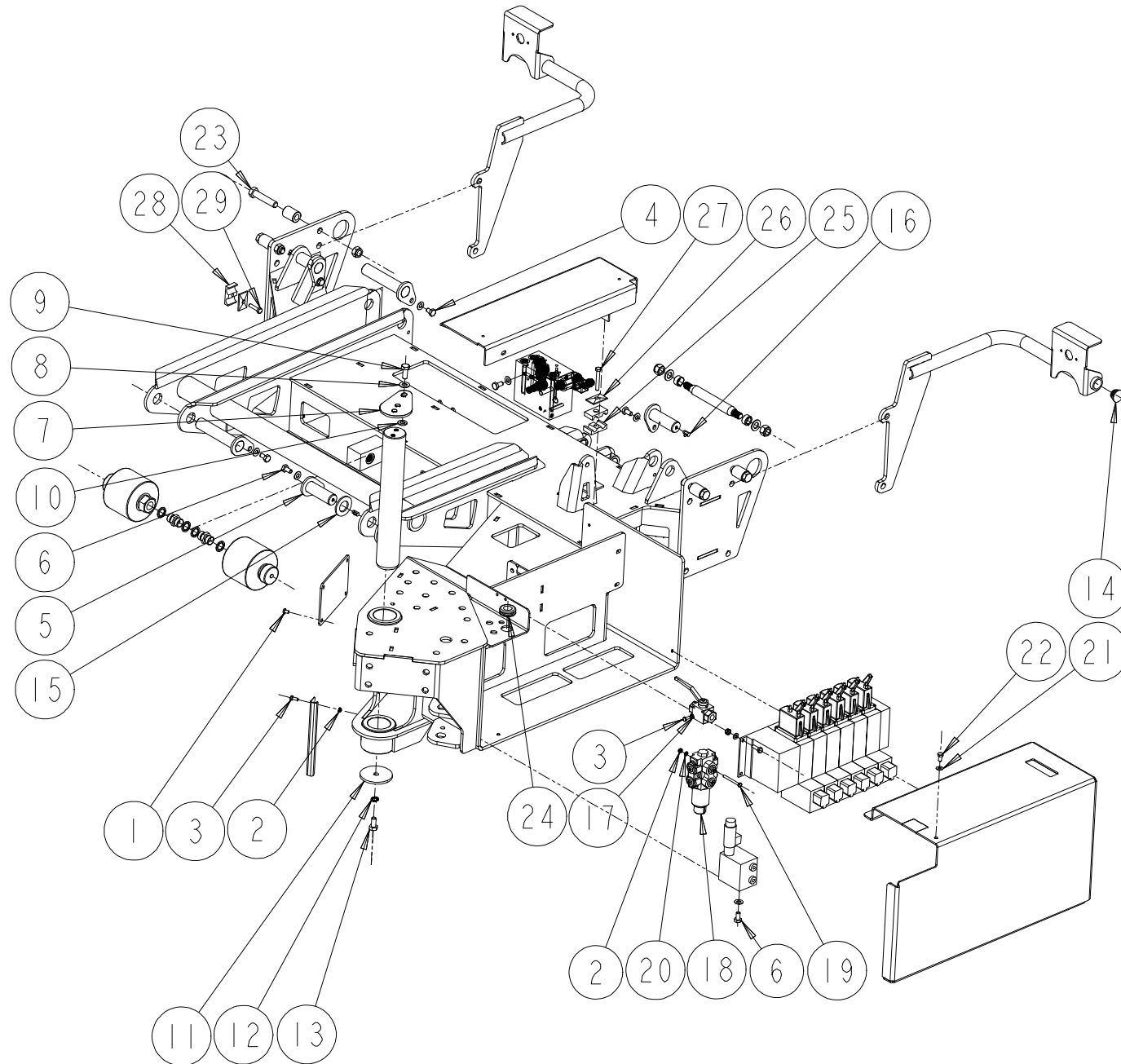
# Chassis 1 (201)



No.	Part No	Description	Qty
1	ACH00067	CHASSIS WELD ASSEMBLY	1
2	CHY02013	ADAPTOR 1/2" BSP M/M	2
3	CHY00053	WASHER DOWTY 1/2"	4
4	CVA03011	ACCUMULATOR 0.7 LITRE 70 BAR	2
5	CVA00069	VALVE CTL 6 BANK HS2000	1
6	CZD02168	4MM L VALVE GUARD COMBI 2000	1
7	CZD02170	4MM L VALVE GUARD PART COMBI 2000	1
8	CZD02169	4MM L VALVE GUARD COMBI 2000	1
9	CMH00067	PIN 60X398&3XM12 THREADS	1
10	CVA00091	VALVE CUT&HOLD COMBI 2000	1
10a	CVA00560	RELIEF VALVE ASSY	1
10b	CVA03106	40L/MIN CTE ON/OFF VALVE NC	1
11	ACH00146	LIGHT BRACKET RIGHT HAND COMBI 2000	1
12	ACH00147	LIGHT BRACKET LEFT HAND COMBI 2000	1
13	CZD02176	4MM L COVER PLATE COMBI 2000 CHASSIS	1
14	ABS00010	BALE SPLITTER PIN RAM TO FRAME	2
15	CVA03109	VALVE ON/OFF 3/8" BALL TYPE	1
16	CZB02072	1.5MM L HOSE GUARD H52000	1
17	ACH00346	BOLT 25MM EXPANDER I60MM	1
18	CMH00670	PIN 25X160 STEPPED EXPANDER	1
19	CMH00424	BUSH 17X25X12 TAPERED	2
20	CFA00140	WASHER FLAT I6MM ZP	2
21	CFA00386	NUT M16X1.5 NYLOC 10 DIN 985	2
22	CMH00701	BUSH 16X30X40 HS 2000 C&H	4
23	CFA00251	WASHER SKMIO	9
24	CFA00128	NUT M16 NYLOC	4
25	CFA00102	SETSCREW M8X25 ZP	4
26	CFA00147	WASHER FLAT 8MM ZP	4
27	CFA00132	NUT M8 NYLOC Z/P	4
28	CVA00094	VALVE ON/OFF CTE ASY NC	1

No.	Part No	Description	Qty
-----	---------	-------------	-----

# Chassis 2 (202)

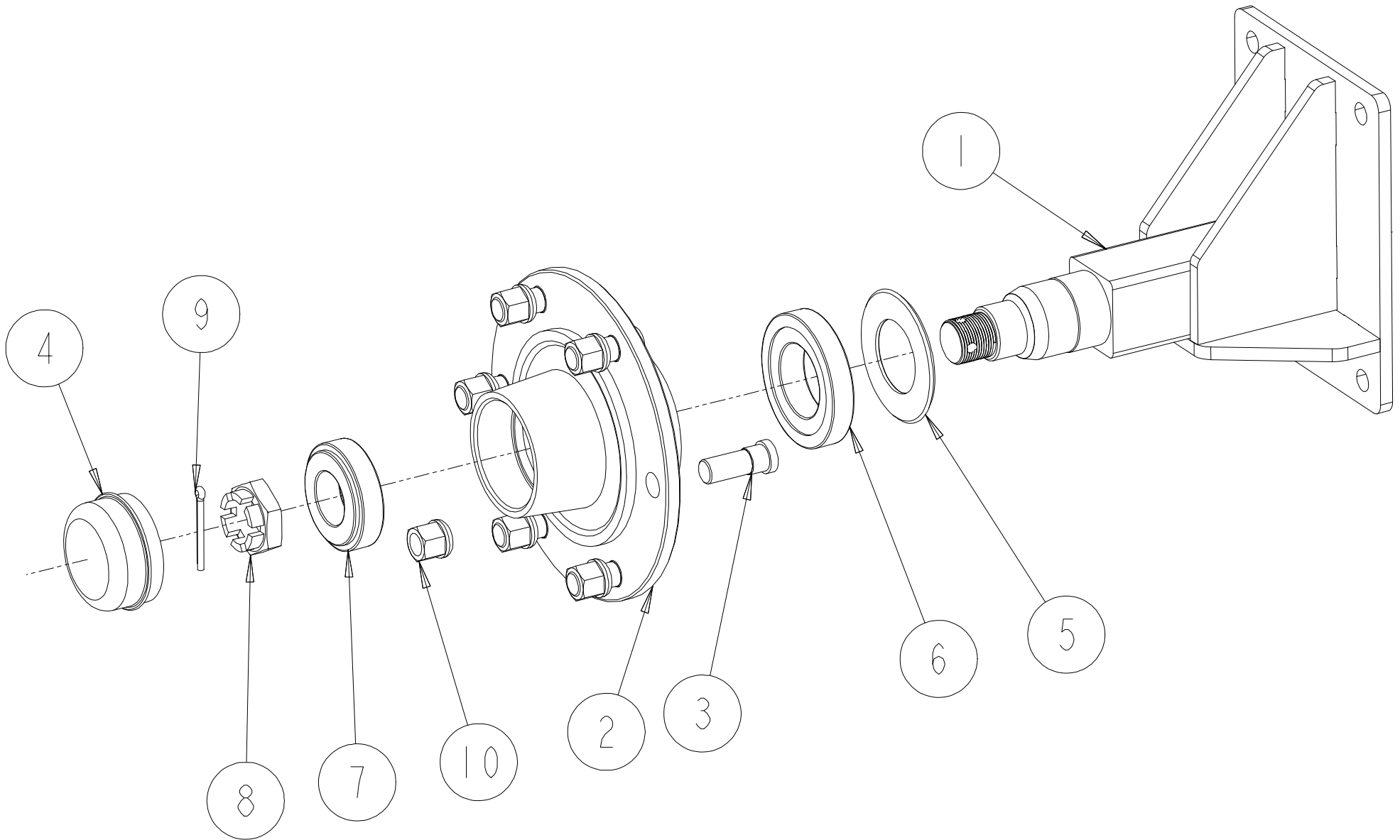




No.	Part No	Description	Qty
1	CFA00447	SETSCREWM8XIOBUTTONHDZ/P	4
2	CFA00131	NUT M6 NYLOC	4
3	CFA00454	SETSCREW M6 X I 6 Z/P	4
4	CFA00022	SETSCREW MIOXI6 Z/P	1
5	ABS00011	PIN 30X90&M8 THREAD WELD LUG	3
6	CFA00023	SETSCREWMIOX2OZIP	8
7	CZF00129	6MM L COMBI CHASSIS	1
8	CFA00250	WASHER SKMI 2	2
9	CFA00032	SETSCREW MI 2X30 Z/P	3
10	CFA00138	WASHERFLATI2MMZ/P	3
11	CZF02105	6MMLWASHER85X6XI2.5	1
12	CFA00207	WASHERSPRINGI2MMZ/P	1
13	CFA00031	SETSCREWMI2X25Z/P	1
14	CBC00010	CAPPLASINSER	2
15	CFA00143	WASHER FLAT 30MM HD Z/P	1
16	CFA00062	GREASENIPPLEM8XI.25X90DEGREE	3
17	CFA00396	WASHER SPRING M6 Z/P	2
18	CVA00068	VALVE DIVERTER 3/8 6WAY 12V	1
19	CFA00054	SETSCREW M6X60 Z/P	2
20	CFA00144	WASHERFLAT6MMZ/P	2
21	CFA00249	WASHER SKM8	7
22	CFA00101	SETSCREWM8XI6Z/P	7
23	CFA00498	BOLT M16 X 80 Z/P	4
24	CFA00448	GROMMET22MMX6MM	1
25	CFA00374	HOSE CLAMP 14MM (2 PER SET)	2
26	CFA00183	HOSE CLAMP COVER PLATE 14MM	2
27	CFA00340	BOLTM8X6OZ/P	1
28	CFA00370	HOSE CLAMP 18MM (2 PER SET)	1
29	CFA00055	BOLTM8X35ZIP	1

No.	Part No	Description	Qty
-----	---------	-------------	-----

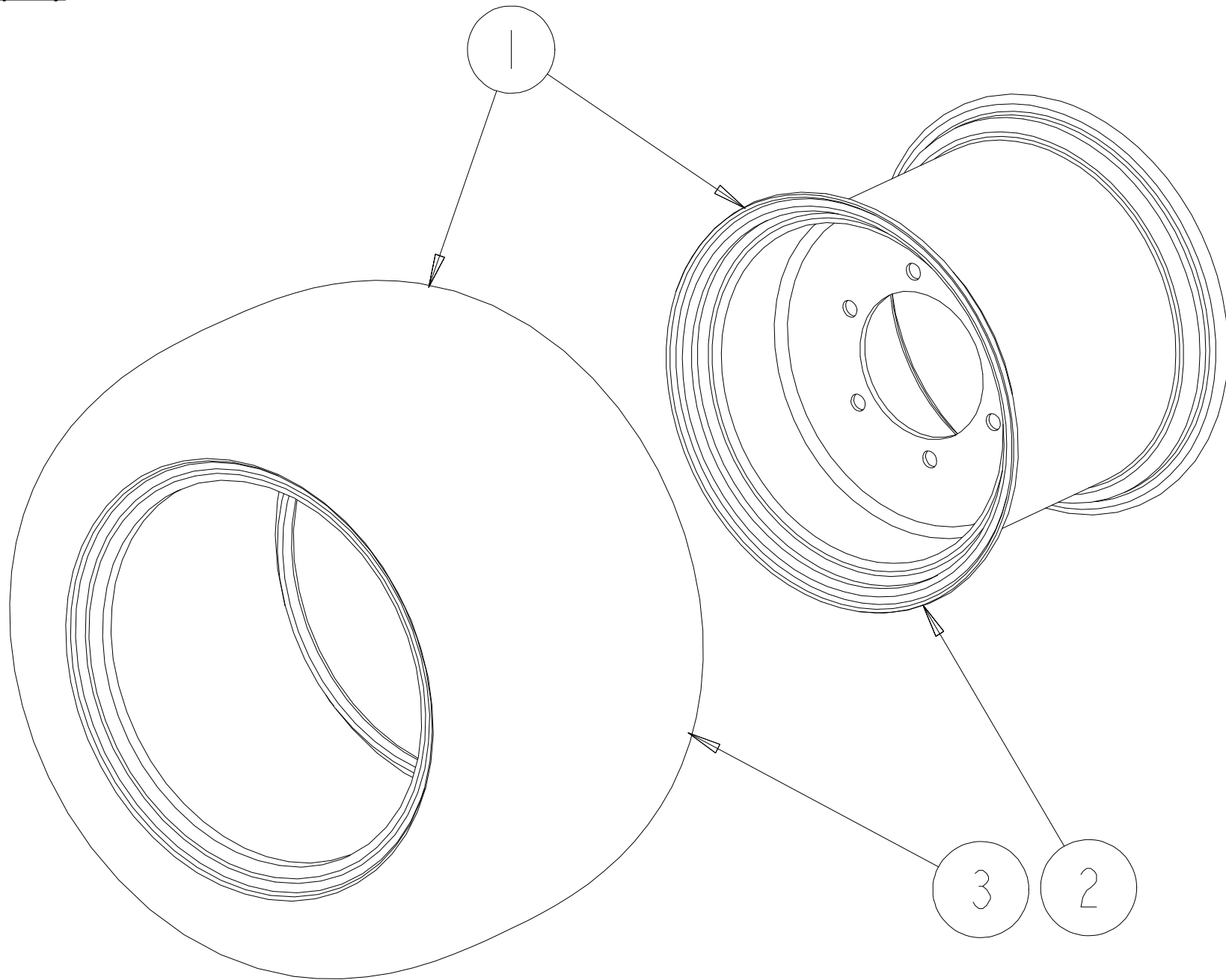
**Stub axle (203)**



No.	Part No	Description	Qty
1	CAX00045	AXLE STUB PART COMBI 2000	1
2	CAX00034	WHEEL HUB 6 STUD (FAD)	1
3	CFA00235	WHEEL STUD MI 8X1 .5 (FAD)	6
4	CAX00037	HUB CAP (FAD) 80MM OD	1
5	CSE00109	HUB SEAL 100 X 55 FAD	1
6	CBR00041	BEARING3O211	1
7	CBR00095	BEARING 30208A	1
8	CFA00394	NUT CASTLE 33 X 50	1
9	CFA00013	SPLIT PIN 5X5OZ/P	1
10	CFA00121	NUT WHEELMI8 6STUD AXLE	6

No.	Part No	Description	Qty
-----	---------	-------------	-----

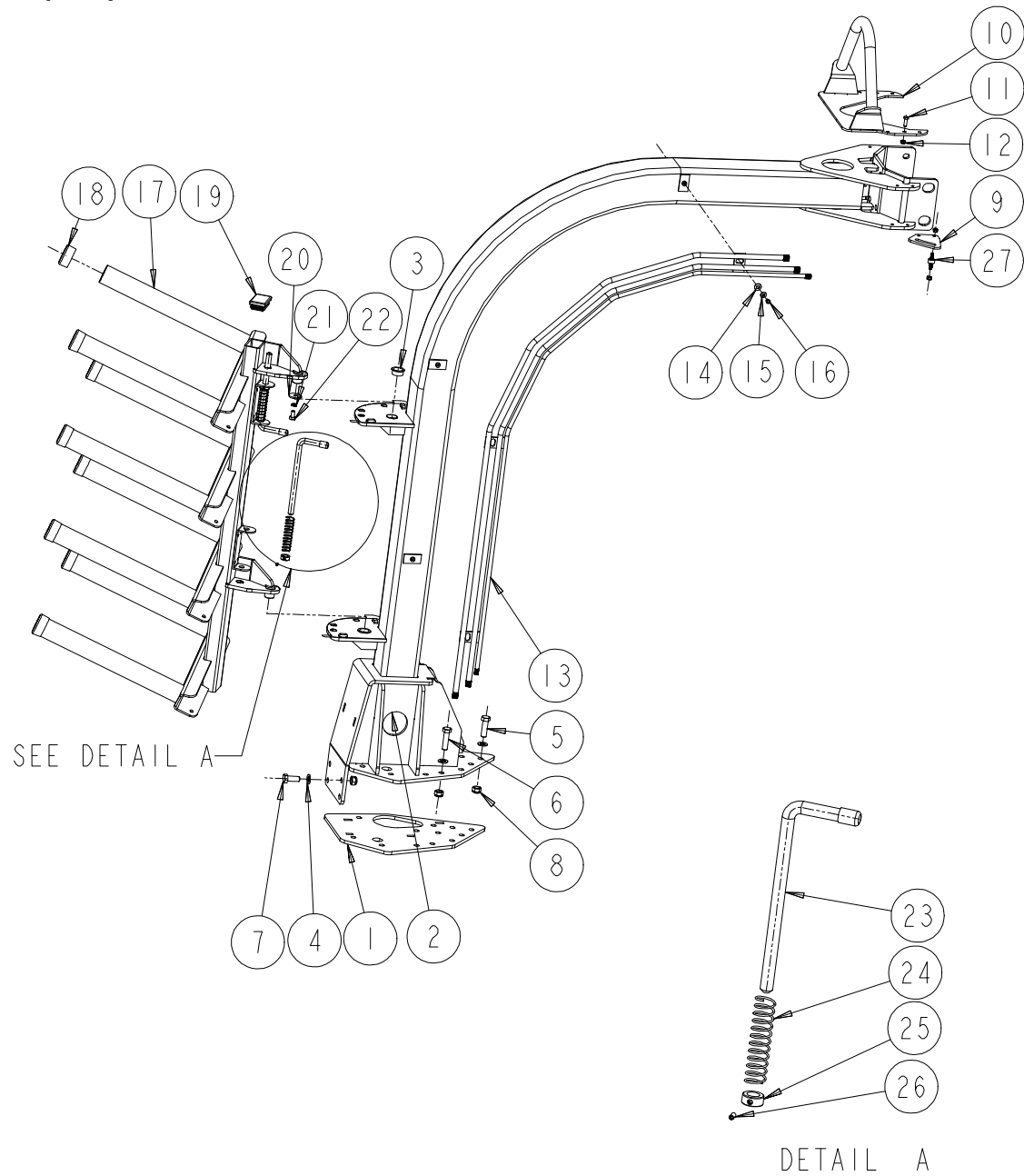
**Wheels (204)**



No.	Part No	Description	Qty
1	CWH00022	WHEEL ASY 340/55-16 FLOTATION+	1
2	CWH00048	WHEELRIMI6XIIISIXSTUD	1
3	CWH00047	TYRE 340/55-16 FLOTATION+	1

No.	Part No	Description	Qty
-----	---------	-------------	-----

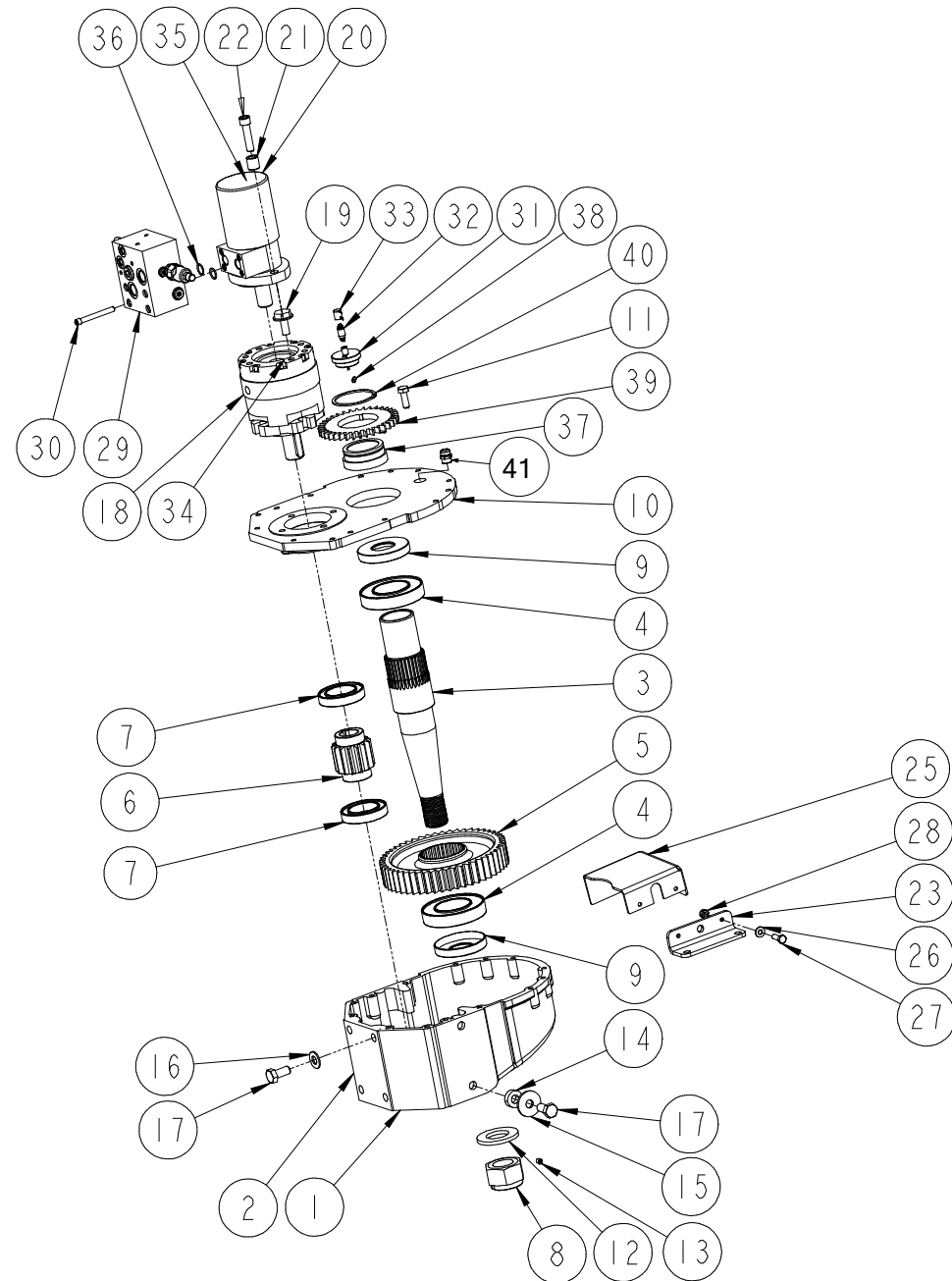
**Arch & Spare film holder (205)**



No.	Part No	Description	Qty
1	CZH02187	10MM L COMBI 2000 CHASSIS / ARCH BRACKET	1
2	ACH02871	DISPENSER ARCH HS2000	1
3	CBR00068	BEARING 30X34X16 STEPPED PLAS	2
4	CFA00140	WASHER FLAT 16MM ZP	16
5	CFA00315	BOLT M16X55	10
6	CFA00409	BOLT M16 X 60 ZP	2
7	CFA00151	SETSCREW M16X40 Z/P	4
8	CFA00128	NUT M16 NYLOC	16
9	CZF02339	6MM L SENSOR BRACKET COMBI2000	1
10	ATR00018	TOP REDUCTION GUARD	1
11	CFA00102	SETSCREW M8X25 Z/P	4
12	CFA00132	NUT M8 NYLOC Z/P	8
13	CHY02024	STEEL PIPE ASSY ACHOOIO8 COMBI 2000	1
14	CFA00251	WASHERSKMIO	3
15	CFA00249	WASHER SKM8	3
16	CFA00451	SETSCREW M8X16 SOC CAP ZP	2
<i>REPLACES CFA00292 (M8X10 SOC CAP) QTY 2</i>			
16	CFA00102	SETSCREW M8X25 Z/P	1
<i>REPLACES CFA00292 (M8X10 SOC CAP) QTY 1</i>			
16a	CZH02210	10MM L WASHER 15X30X10	1
<i>USED TO SPACE OUT ITEM 13 AT BOTTOM HOLE WITH M8X25 SETSCREW</i>			
17	ADB00028	HS2000 SPARE FILM HOLDER	1
18	CBC00007	CAP BLACK PLASTIC 2 3/8 OSF	8
19	CBC00021	CAP PLAS INSERT SQ 80X50	2
20	CZD00118	4MM L CUT& TIE SPACER 10X40X4	2
21	CFA00137	WASHER SPRING 10MM H.D Z/P	2
22	CFA00018	SETSCREW M10X20	2
23	CMH00753	PIN 16X335 CHAMFER BENT 90 ZP	2
24	CSG00039	SPRING COMP 2.15X 21X 125X 14	2
25	CMH00784	BUSH 16X28X15& M6 THREAD ZP	2
26	CFA00563	GRUBSCREW M6X12 DIN916 Z/P	2
27	CBE00027	MOUNT RUBBER 20 X 11 X M8 X 20	2

No.	Part No	Description	Qty
-----	---------	-------------	-----

**Dispenser drive (206)**





No.	Part No	Description	Qty
1	CMT00033	GEARBOX DISPENSER ROTATION	1
2	CMT00034	GEARBOX CASTING TOP/REDU.C2000	1
3	CMT00035	GEARBOX SHAFT TOP/REDU.C2000	1
4	CBR00048	BEARING62I2	2
5	CMH00410	GEARSPURCOMBIGEARBOX	1
6	CMH00409	GEARSPURXMI4TCOMBIGEARBOX	1
7	CBR00047	BEARINGSNR6OIO	2
8	CFA00411	NUT COMBI GEARBOX	1
9	C5E00095	SEAL GEARBOX COMBI	2
10	CMT00040	GEAR BOX COVER PLATE COMBI	1
11	CFA00025	SETSCREW M I 0X30	13
12	CFA00412	WASHER 39X72X6	1
13	CFA00051	GRUBSCREW M8XIO	1
14	CZH02210	1 0MM L WASHER I 5X3OXI 0	2
15	CZD02166	4MM L WASHER I4X45X4	2
16	CFA00449	WASHER 5KM 1 4	6
17	CFA00398	SETSCREWMI4X3OZIP	8
18	CMT00004	BRAKE UNIT HYDRAULIC	1
19	CFA00276	SETSCREWMI2X3OFLDZP	4
20	CMT00071	MOTOR 165CC 2BOLT 25SHAFT	1
21	CMH00756	BUSH I2X20X20	2
22	CFA00535	BOLTMI2X5OSOC	2
23	CZF02358	6MM L SENSOR BRACKET COMBI 2000	1
24	CFA00025	SETSCREWMIOX3O	1
25	CZD02171	4MM L SENSOR GUARD COMBI 2000	1
26	CFA00249	WASHERSKM8	2
27	CFA00102	SETSCREW M8X25 ZIP	2
28	CFA00132	NUT M8 NYLOC ZIP	2
29	CVA00156	VALVE ASY ARM ROTATION HS 03	1
<i>Up to Serial No 550953</i>			
29	CVA00594	VALVE DISPENSER ROTATION	1
<i>From Serial No 550954</i>			
30	CFA00548	BOLT M8 X 70 SOC CAP ZP	4
<i>Up to Serial No 550953</i>			
30	CFA00318	BOLT M8 X 75 SOC CAP ZP	4
<i>From Serial No 550954</i>			
31	CEL00138	SLIPRING CON BOTTOM ASY 3WAY	1
32	CEL00136	SLIPRING ROTARY CON 3 WAY	1
33	CEL00137	SLIPRING CON TOP ASY 3 WAY	1
34	CSE00101	SEAL KIT BRAKE UNIT BTM MODEL	1
35	CSE00111	SEAL KIT FOR TE SERIES MOTORS	1
36	CSE00117	SEALO-RINGI8X2NBR8O	2
37	CMH00803	BUSH 60X3IX76 & M6 THREAD	1
38	CFA00563	GRUBSCREW M6XI2 D1N916 Z/P	1
39	CZH02183	10MM L DISPENSER ENCODER PART COMBI 2000	1
40	CFA00576	CIRCLIP 70MM EXTERNAL DIN471	1
41	CMT00075	BREATHER PLUG	1

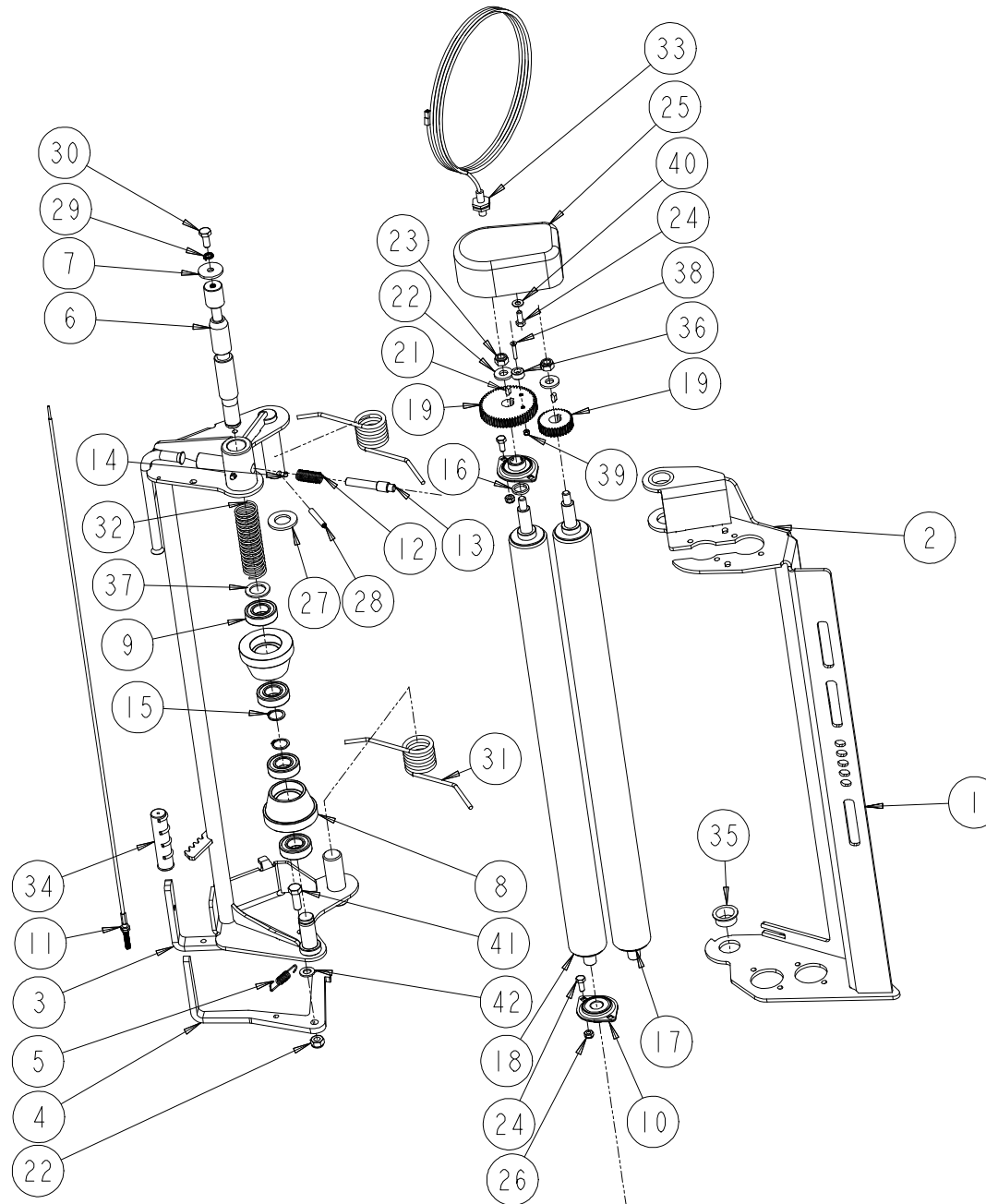
No.	Part No	Description	Qty
-----	---------	-------------	-----



No.	Part No	Description	Qty
1	ADP00033	DISP ARM WELDCENTRE HS 2000	1
2	ADP00120	DISPENSER BACK ASSY HS2000	2
3	ADP00202	TRIP ARM TUBE HOLDER HS2000	2
4	ADP00206	998 TRIP ARM MESH HOLDER BRACKET	2
5	CBC00005	CAP PLASTC INSERT ROUND 42.4MM	2
6	CEL00017	MAGNET BLUE WHEEL	4
7	CEL00038	SWITCH LIMIT 998 HS2000	2
8	CEL00061	BUSH SNAP 8.2X13 NYLON	4
9	CFA00024	SETSCREW M10X25 Z/P	4
10	CFA00028	BOLT M10X65 Z/P	2
11	CFA00033	SETSCREW M12X35 Z/P	11
12	CFA00047	SETSCREW M6X30 Z/P	4
13	CFA00052	SETSCREW M8X20 Z/P	4
14	CFA00123	NUT M10 NYLOC	10
15	CFA00125	NUT M12 Z/P	2
16	CFA00128	NUT M16 NYLOC	6
17	CFA00131	NUT M6 NYLOC	4
18	CFA00140	WASHER FLAT 16MM Z/P	6
19	CFA00145	WASHER MUDWING M6 32MM OD	4
20	CFA00201	WASHER FLAT 10 MM Z/P	12
21	CFA00209	BOLT M16X120 Z/P	6
22	CFA00249	WASHER SKM8	4
23	CFA00250	WASHER SKM12	13
24	CFA00314	SETSCREW M5X40 Z/P	4
25	CFA00320	WASHER FLAT 5MM	8
26	CFA00321	NUT M5 NYLOC	4
27	CFA00383	BOLT M10X70 Z/P	4
28	CFA00774	TURNBUCKLE EYE 12MM	2
29	CGD00018	TRIP ARM TUBE HS2000	2
30	CGD00234	DISPENSER HS2000 YELLOW PVC	2
31	CPL00028	INSULATION SAFETY BAR	2
32	CSG00223	SPRING TRIP ARM 6.35X40X280	2
33	CXB00181	BOX 82X82X6 ALUMINIUM BENT90	2
34	CZB02050	1.5MM L DISPENSER LOOM COVER COMBI 2000	1
35	CZF02331	6MM L DISPENSER SAFETY ASSY	2
36	CZF02356	6MM L DISPENSER ARM ASSY	2
37	CZF05554	6MM L BRACKET HS2000	2
38	CZH00128	10MM L BALE HANDLER	6

No.	Part No	Description	Qty
-----	---------	-------------	-----

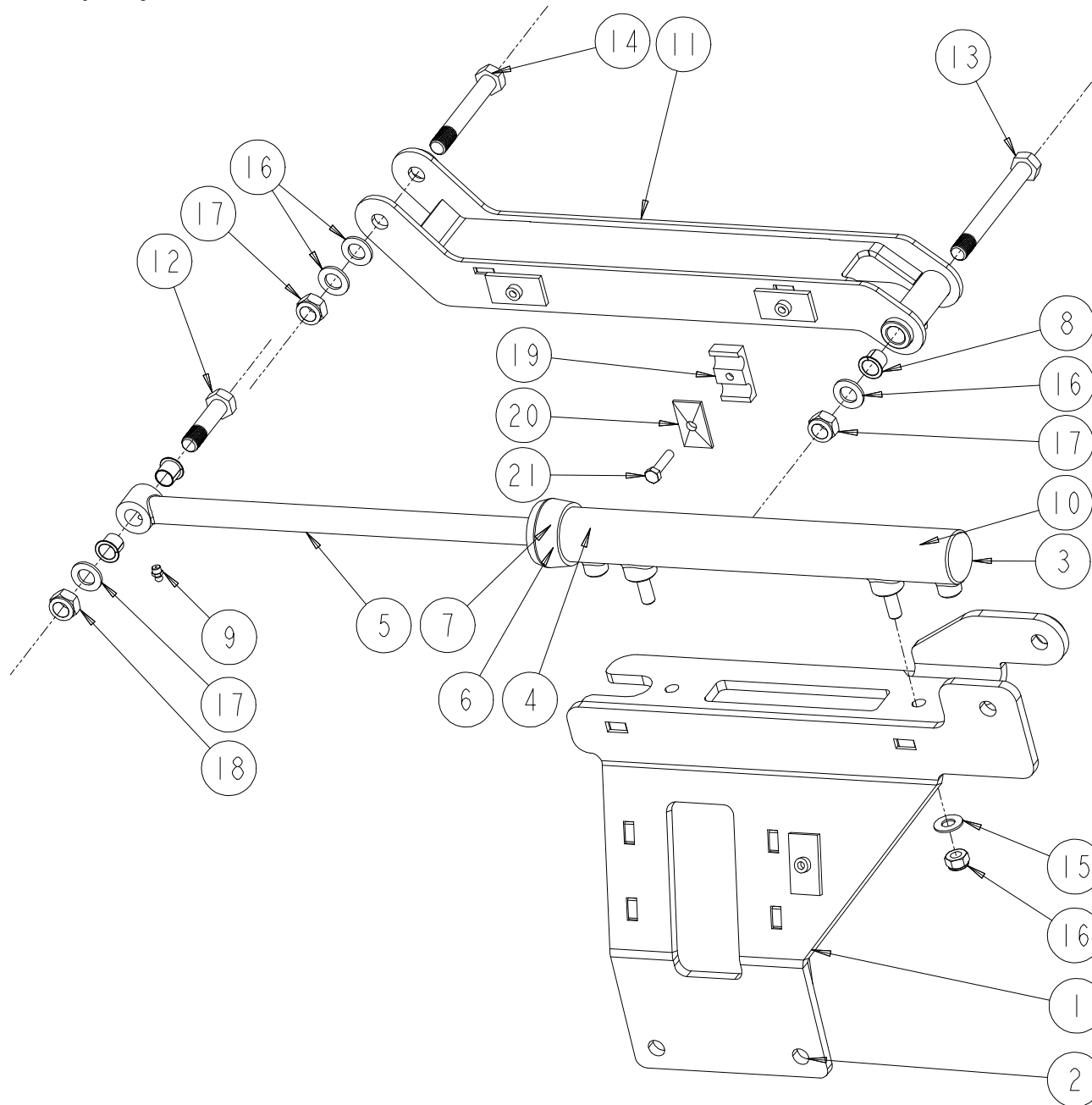
**Dispenser (208)**



No.	Part No	Description	Qty
1	ADP00039	DISPENSER COMPLETE ASSEMBLY	1
2	ADP00051	DISPENSER MAIN FRAME WELD ASY	1
3	ADP00040	DISPENSER HOLDER WELD ASSY	1
4	CZH02165	10MM L DISPENSER HANDLE PART	1
5	CSG00013	SPRING EXT I.83X12X65X14.5	1
6	CMH00619	PIN3OX28OSTEPPEDZIP	1
7	CZD00118	4MMLCUT&TIESPACER	1
8	CMH00087	COIL ROLLER (2 BEARING TYPE)	2
9	CBR00009	BEARING62O52RS	4
10	CBR00004	BEARING 20MM 2BOLT P/S FLANGE	4
11	CFA00242	CABLEROLLERRELEASEIO95	1
12	CSG00010	SPRING COMP I .625X16X40X8	1
13	CMH00197	PIN I6X84 STEPPED ZIP	1
14	CFA00208	GRUBSCREWM6X6ZIP	1
15	CFA00001	CIRCLIP 25MM EXTERNAL ZIP	2
16	CZD00114	4MMLDISPENSERSPACER	2
17	CMH00034	ROLLER DISPENSER PRIMARYALU	1
18	CMH00035	ROLLER DISPENSER SECONDARYALU	1
19	ADP00018	KIT DISPENSER GEARS 70%	1
<i>70% STANDARD</i>			
19	ADP00019	KIT DISPENSER GEARS 55%	1
<i>55%</i>			
19	ADP00085	KIT DISPENSER GEARS 32%	1
<i>32%</i>			
21	CFA00153	KEY 6X6X1 5	2
22	CFA00139	WASHERFLAT12MMH/DZIP	2
23	CFA00124	NUT M12 NYLOC	3
24	CFA00052	SETSCREWM8X2OZIP	10
25	CGD00001	GUARD DISPENSER GEARS	1
26	CFA00132	NUT M8 NYLOC Z/P	8
27	CFA00135	WASHERFLATI◇ZIP	1
28	CFA00010	ROLLPIN8X5OZIP	1
29	CFA00137	WASHERSPRINGIOMMH.DZIP	1
30	CFA00024	SETSCREW MIOX25 Z/P	1
31	CSG00031	SPRING TOR 6.35WDX480DX7.8COIL	2
32	CSG00009	SPRING COMP 2.95X37XI97X12	1
33	CEL00004	SENSOR CABLE 3.6M	1
<i>CEL00215 UNIVERSAL MAGNETIC SENSOR IS A SUITABLE REPLACEMENT FOR THIS PART. ALL McHALE MAGNETIC SENS</i>			
34	CBC00012	CAP PLASTIC HANDGRIP 7/8◇	1
35	CBR00068	BEARING 30X34X16 STEPPED PLAS	2
36	CEL00059	MAGNET 20 X I 0 260369	2
37	CZC00112	3MM L DISPENSER SPACER	1
38	CFA00336	SETSCREW M5X30 CSK HEAD 55	2
39	CFA00348	NUT M5 NYLOC 55	2
40	CFA00249	WASHER SKM8	2
41	CFA00033	SETSCREW MI 2X35 Z/P	1
42	CFA00138	WASHERFLAT12MMZ/P	1

No.	Part No	Description	Qty
-----	---------	-------------	-----

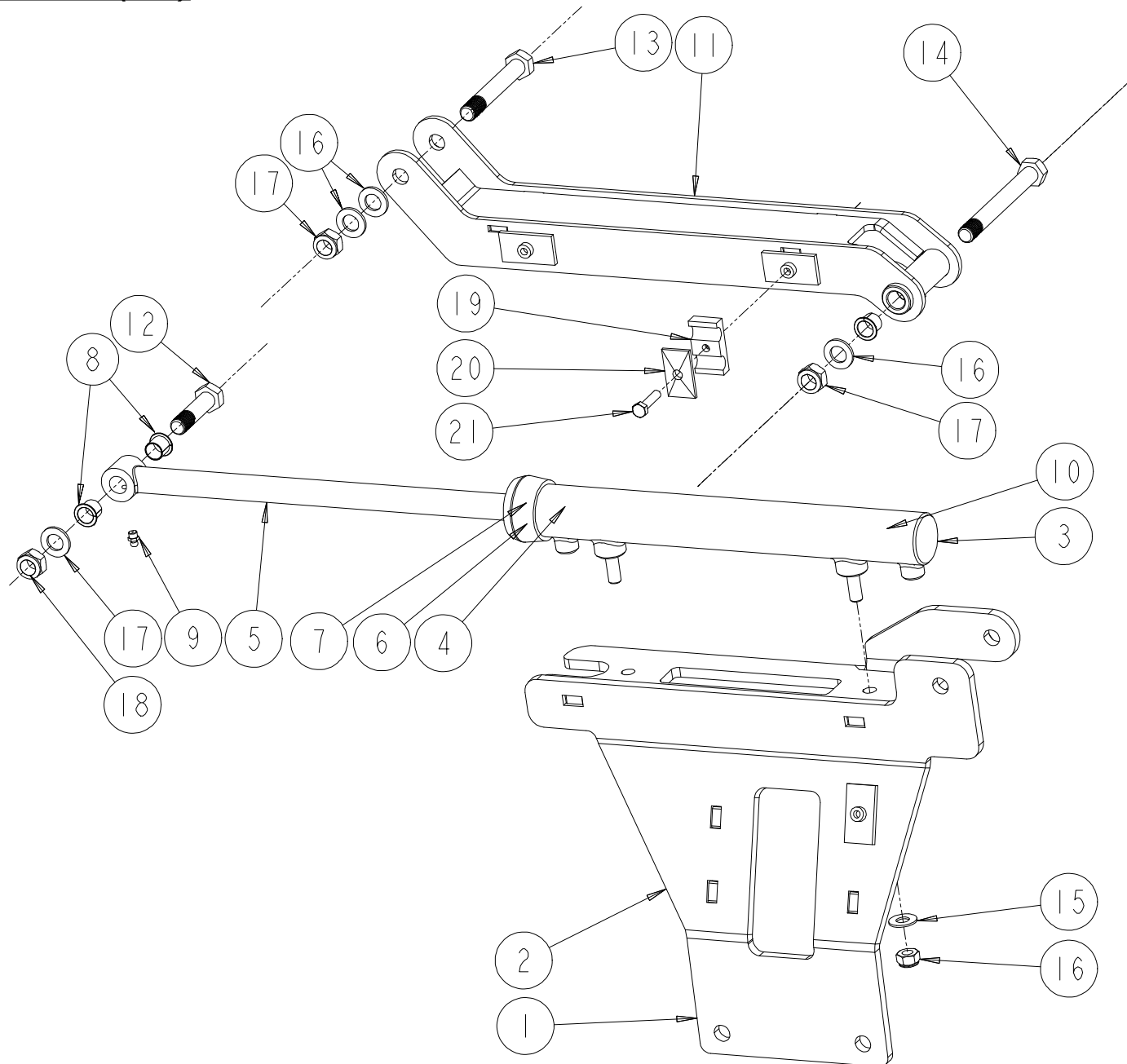
**Cut & Hold bottom LH (209)**



No.	Part No	Description	Qty
1	ACT00026	CUT & HOLD ASSY LEFT COMBI 2000	1
2	ACT00035	CUT&TIE WELDED ASSY COMBI 2000	1
3	CRA00170	RAM 32X25 LOWER C&H HS2000	1
4	CRA00177	SEAL GLAND FOR CRAOOI70 BOTTOM	1
5	CRA00178	RAM ROD FOR CRAOOI70	1
6	CRA00179	SEAL GLAND FOR CRAOOI70 TOP	1
7	CRA00180	RAM CAP FOR CRAOOI70	1
8	CBR00022	BEARING GLACIER BB 1617 DU	2
9	CFA00118	GREASE NIPPLE M8X1.25 STRAIGHT	1
10	CSE00114	SEAL KIT FOR RAM CRAOOI70	1
11	ACT00028	LINK ARM I CUT & HOLD COMBI 2000	1
12	CMH00528	BOLTM6X65MACHINED	1
13	CMH00530	BOLTM6X142MACHINED	1
14	CMH00529	BOLTM6X105MACHINED	1
15	CFA00250	WASHERSKM12	2
16	CFA00124	NUT M12 NYLOC	2
17	CFA00140	WASHERFLAT16MMZIP	4
18	CFA00128	NUT M16 NYLOC	3
19	CFA00374	HOSE CLAMP 14MM (2 PER SET)	3
20	CFA00183	HOSE CLAMP COVER PLATE 14MM	3
21	CFA00055	BOLT M8X35 Z/P	3

No.	Part No	Description	Qty
-----	---------	-------------	-----

**Cut & Hold bottom RH (210)**

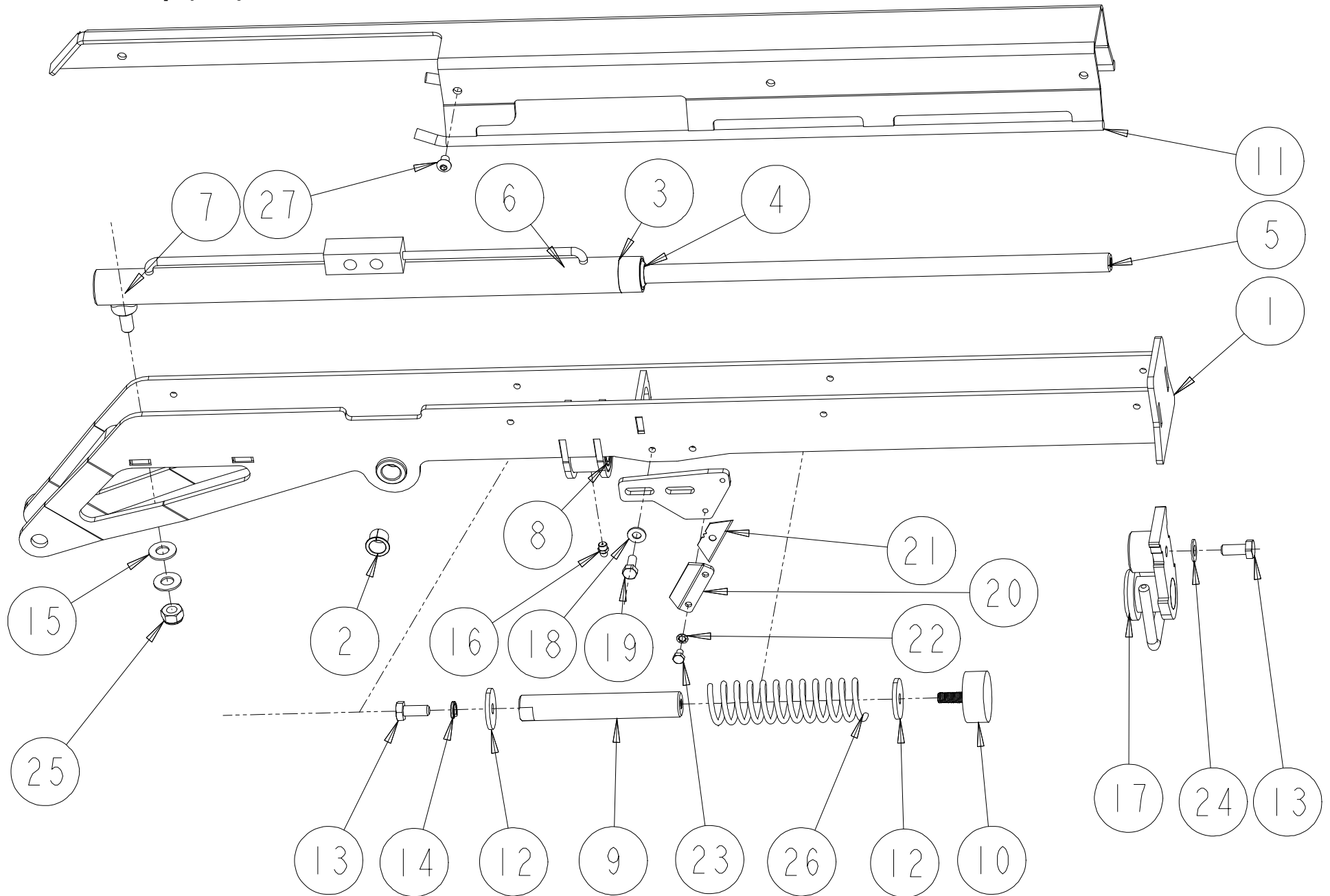




No.	Part No	Description	Qty
1	ACT00030	CUT & HOLD ASSY RIGHT COMBI 2000	1
2	ACT00036	CUT & TIE WELD ASSY RIGHT HS2000	1
3	CRA00170	RAM 32X25 LOWER C&H HS2000	1
4	CRA00177	SEAL GLAND FOR CRA00170 BOTTOM	1
5	CRA00178	RAM ROD FOR CRA00170	1
6	CRA00179	SEAL GLAND FOR CRA00170 TOP	1
7	CRA00180	RAM CAP FOR CRA00170	1
8	CBR00022	BEARING GLACIER BB 1617 DU	2
9	CFA00118	GREASE NIPPLE M8X1.25 STRAIGHT	1
10	CSE00114	SEAL KIT FOR RAM CRA00075	1
11	ACT00028	LINK ARM I CUT & HOLD COMBI 2000	1
12	CMH00528	BOLTM16X65MACHINED	1
13	CMH00529	BOLTM16X105MACHINED	1
14	CMH00530	BOLTM16X142MACHINED	1
15	CFA00250	WASHERSKM12	2
16	CFA00124	NUT M12 NYLOC	2
17	CFA00140	WASHERFLAT16MMZIP	4
18	CFA00128	NUT M16 NYLOC	3
19	CFA00374	HOSE CLAMP 14MM (2 PER SET)	3
20	CFA00183	HOSE CLAMP COVER PLATE 14MM	3
21	CFA00055	BOLT M8X35 Z/P	3

No.	Part No	Description	Qty
-----	---------	-------------	-----

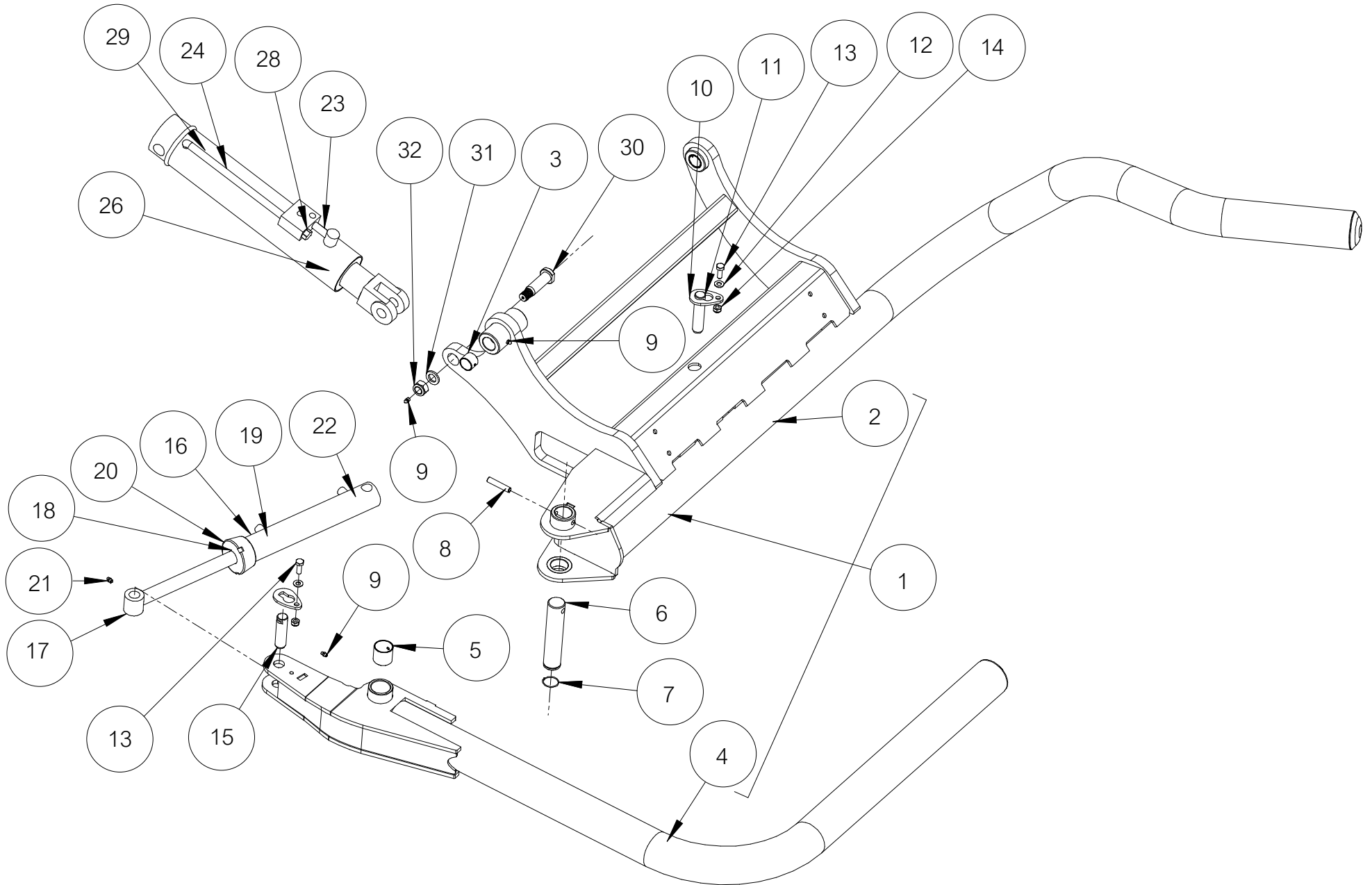
**Cut & Hold top (211)**



No.	Part No	Description	Qty
1	ACT00029	LINK ARM 2 CUT & HOLD COMBI 2000	1
2	CBR00022	BEARING GLACIER BB 1617 DU	2
3	CRA00115	CUT & HOLD CYLINDER COMBI 2000	1
4	CRA00105	SEALGLANDTOPFORCRAOOI15	1
5	CRA00116	RAM ROD CUT&HOLD COMBI 2000	1
6	CRA00101	SEAL GLAND BOTTOM FOR CRAOO115	1
7	CSE00115	SEAL KIT FOR RAM CRAOOI 15	1
8	CBR00016	BEARING OLITE 25X32X40	1
9	CMH00023	PIN 25X159 C.PLUNGER C&T	1
10	CBE00002	BUFFER RUBBER 50X21 M10X28	1
11	ACT00031	CUT & HOLD COVER ASSY COMBI 2000	1
12	CZD00118	4MMLCUT&TIESPACER	2
13	CFA00024	SETSCREW M10X25 Z/P	2
14	CFA00137	WASHERSPRINGIOMMH.DZIP	1
15	CFA00250	WASHERSKM12	2
16	CFA00118	GREASE NIPPLE M8X1.25 STRAIGHT	2
17	ACT00040	FILM RETAINER COMBI CUT & HOLD	1
18	CFA00249	WASHER SKM8	2
19	CFA00052	SETSCREWM8X2OZIP	2
20	CZC02012	3MM L 998 ICOMBI KNIFE CLAMP	1
21	CKN00011	KNIFE STANLEY BLADE CUT&HOLD	2
22	CFA00268	WASHER 6MM SHAKEPROOF	2
23	CFA00269	SETSCREWM6XIOZIP	2
24	CFA00251	WASHERSKM10	1
25	CFA00124	NUT M12 NYLOC	1
26	CSG00036	SPRING COM 4.88X38X150X12	1
27	CFA00447	SETSCREWM8XIOBUTTONHDZIP	7

No.	Part No	Description	Qty
-----	---------	-------------	-----

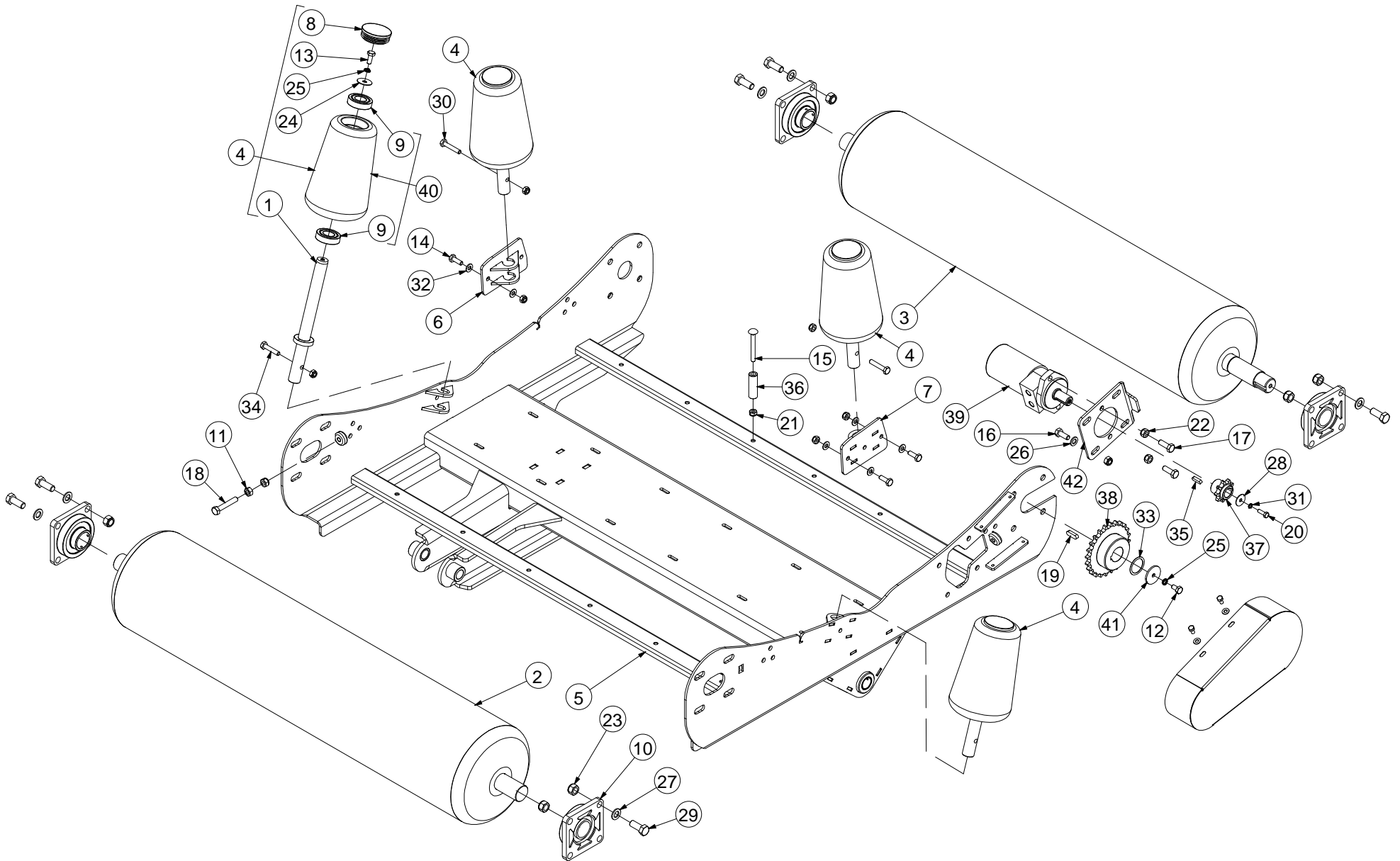
**Lift arm (212)**



No.	Part No	Description	Qty
1	ALA00024	LIFTARM ASY HS2000 COMPLETE	1
<i>INCLUDES ITEMS 2, 3, 4 &amp; 5</i>			
2	ALA00047	LIFT ARM MAIN HS 2000	1
3	CBR00007	BEARINGGLACIERPM3O25DX	4
4	ALA00025	LIFTARM SIDE ARM COMBI 2000	1
5	CBR00082	BEARING GLACIER PM 4040 SY	2
6	CMH00187	PIN 40X192x12MM	1
7	CFA00112	SNAP RING	1
8	CFA00110	ROLL PIN 12X6O	1
9	CFA00118	GREASE NIPPLE M8X1.25 STRAIGHT	3
10	CZF00293	6MM L CAP SHORT FOR 25MM PINS	2
11	CMH00443	PIN 25 X 110 MILLED FOR CAP ZIP	1
12	CFA00251	WASHER SKM 10	2
13	CFA00025	SETSCREW M 10X30	2
14	CFA00123	NUT M10 NYLOC	2
15	CMH00421	PIN25X90 MILLED FOR CAP	1
16	CRA00075	RAM LIFTARM PIVOT OUTSIDE	1
17	CRA00083	RAM ROD LIFTARM PIVOT OUTSIDE	1
18	CRA00202	SEAL GLAND FOR CRA00075 TOP	1
19	CRA00203	SEAL GLAND FOR CRA00075 BOTTOM	1
20	CRA00204	RAM CAP FOR CRA00075	1
21	CFA00118	GREASE NIPPLE M8X1.25 STRAIGHT	1
22	CSE00126	SEAL KIT FOR RAM 50 X 30MM	1
23	CRA00120	RAM LIFTARM COMBI 2000	1
<i>INCLUDES ITEMS 24, 26, 28 &amp; 29</i>			
24	CSG00022	SPRING COMP COMBI LIFT ARM RAM	1
26	CRA00155	SEAL GLAND TOP FOR CRA00120	1
28	CVA00035	CTE CHECKVALVE MCHALE 20	1
28a	CSE00674	SEAL KIT SUN CB VALVE CTE	1
<i>SEAL KIT FOR CVA00035</i>			
29	CSE00113	SEAL KIT FOR RAM CRA00120	1
30	ALA00008	KIT LIFT ARM RAM PIN	1
31	CFA00413	WASHER FLAT 20MM Z/P	1
32	CFA00129	NUT M20 NYLOC	1

No.	Part No	Description	Qty
-----	---------	-------------	-----

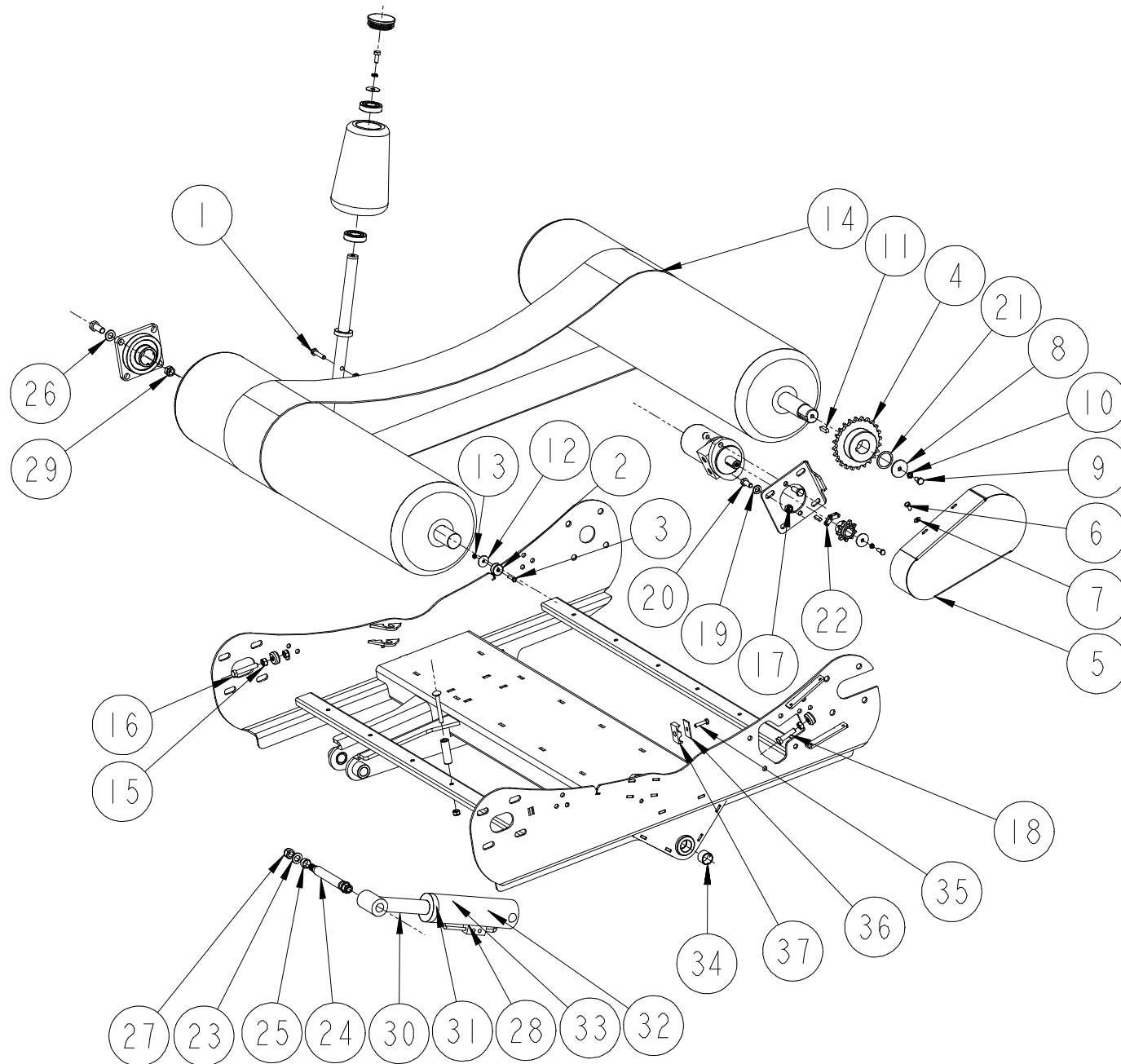
**Table 1 (213)**



No. Part No	Description	Qty
0 ART00017	HS2000 COMBI WRAPPER TABLE	1
<i>COMPLETE ASSEMBLY</i>		
1 ART00005	BOBBIN AXLE SHAFT	4
2 ART00015	TABLE ROLLER COMBI 2000	1
3 ART00016	TABLE DRIVE ROLLER COMBI 2000	1
4 ART00044	BOBBIN ASSY COMBI 20	4
<i>INCLUDES ITEMS 1, 8, 9, 13, 24, 25 &amp; 40 (QTY = 2 AS STANDARD - QTY = 4 WITH EXTRA BOBBINS OPTIONAL)</i>		
5 ART00046	COMBI TABLE WELD ASSY	1
6 ART00373	EXTRA BOBBIN ASSY HS2000 LH	1
<i>OPTIONAL WITH EXTRA BOBBINS</i>		
7 ART00374	EXTRA BOBBIN ASSY HS2000 RH	1
<i>OPTIONAL WITH EXTRA BOBBINS</i>		
8 CBC00008	CAP PLASTIC INSERT 75MM	4
9 CBR00024	BEARING 62062RS	8
10 CBR00046	BEARING FLANGE UNIT SF 1 3/4"	4
11 CFA00014	NUT M12	2
12 CFA00023	SETSCREW M10X20 Z/P	1
13 CFA00024	SETSCREW M10X25 Z/P	4
14 CFA00025	SETSCREW M10X30	4
15 CFA00030	BOLT M10X90 CUPHEAD Z/P	12
16 CFA00032	SETSCREW M12X30 Z/P	4
17 CFA00033	SETSCREW M12X35 Z/P	2
18 CFA00036	SETSCREW M12X70 Z/P	2
19 CFA00046	KEY 10X8X35	1
20 CFA00102	SETSCREW M8X25 Z/P	1
21 CFA00123	NUT M10 NYLOC	20
22 CFA00124	NUT M12 NYLOC	8
23 CFA00128	NUT M16 NYLOC	16
24 CFA00134	WASHER MUDWING M10X38MM OD	4
25 CFA00137	WASHER SPRING 10MM HD Z/P	5
26 CFA00138	WASHER FLAT 12MM Z/P	4
27 CFA00140	WASHER FLAT 16MM Z/P	16
28 CFA00149	WASHER MUDWING M8 31.75OD	1
29 CFA00151	SETSCREW M16X40 Z/P	16
30 CFA00156	BOLT M10X55	2
31 CFA00185	WASHER SPRING 8MM Z/P	1
32 CFA00201	WASHER FLAT 10 MM Z/P	8
33 CFA00265	SHIM 40X50X1.0	4
34 CFA00310	BOLT M10X50 Z/P	2
35 CFA00359	KEY 8X7X30	1
36 CMH00001	BUSH 12X22X70	12
37 CMH00285	SPROCKET 3/4" PITCH 9T LTB 44	1
38 CMH00396	SPROCKET 3/4" PITCH 24T 40 DIA	1
39 CMT00050	MOTOR 320-330CC 2BOLT 25SHAFT	1
39a CSE00111	SEAL KIT FOR TE SERIES MOTORS	1
40 CPL00038	BOBBIN ASY FUS/HS2000	4
<i>INCLUDES BEARINGS (ITEM 9)</i>		
41 CZD00121	4MM L CUT & TIE SPACER Z/P	1
42 CZF02003	6MM L MOTOR PLATE 998	1

No. Part No	Description	Qty
-------------	-------------	-----

**Table 2 (214)**

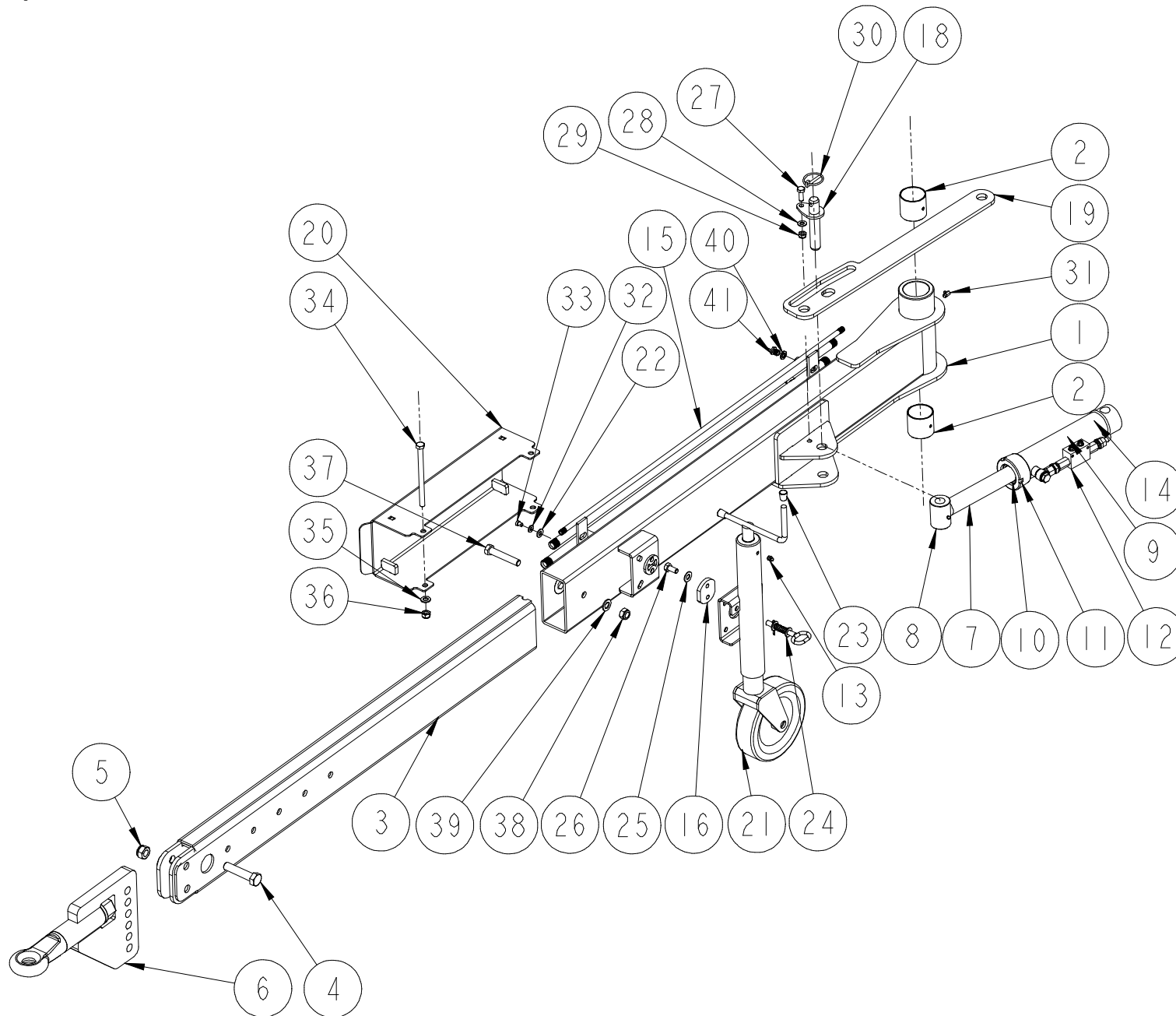




No.	Part No	Description	Qty
1	CFA00310	BOLT M10X50 Z/P	2
2	CEL00017	MAGNET BLUE WHEEL	1
3	CFA00047	SETSCREW M6X30 Z/P	1
4	CMH00396	SPROCKET 3/4" PITCH 24T 40 DIA	1
5	CGD00020	GUARD DRIVE CHAIN TABLE HS2000	1
6	CFA00101	SETSCREW M8X16Z/P	4
7	CFA00249	WASHER SKM8	4
8	CZD00121	4MM L CUT&TIE SPACER Z/P	1
9	CFA00023	SETSCREW M10X20 Z/P	1
10	CFA00137	WASHER SPRING 10MM HD Z/P	1
11	CFA00046	KEY 10X8X35	1
12	CFA00145	WASHER MUDWING M6 32MM OD	1
13	CFA00131	NUT M6 NYLOC	1
14	CBE00020	BELT SINGLE 96	4
15	CFA00014	NUT M12	3
16	CFA00036	SETSCREW M 12X70 Z/P	2
17	CFA00124	NUT M12 NYLOC	6
18	CFA00270	SETSCREW M 12X50 Z/P	1
19	CFA00138	WASHERFLAT 12MM Z/P	4
20	CFA00032	SETSCREW M 12X30 Z/P	4
21	CFA00265	SHIM 40X50X1.0	4
22	CCH00027	CHAIN KIT 12B 3/4" 43 LINKS	1
23	ACH00346	BOLT 25MM EXPANDER 160MM	1
24	CMH00670	PIN 25X160 STEPPED EXPANDER	1
25	CMH00424	BUSH 17X25X12 TAPERED	2
26	CFA00140	WASHERFLAT16MM Z/P	2
27	CFA00386	NUT M16X1.5 NYLOC 10 DIN 985	2
28	CRA00140	RAM TABLE TIP HS2000	1
29	CFA00128	NUT M16 NYLOC	16
30	CRA00184	RAM ROD TABLE TILT HS2000	1
31	CRA00200	SEAL GLAND TOP FOR CRA00140	1
32	CRA00201	SEAL GLAND BOTTOM FOR CRA00140	1
33	CSE00112	SEAL KIT FOR RAM CRA00140	1
34	CBR00007	BEARING GLACIER 30 25 DX	4
35	CFA00055	BOLT M8X35 Z/P	1
36	CFA00183	HOSE CLAMP COVER PLATE 14-18	1
37	CFA00370	HOSE CLAMP 18MM (2 PER SET)	1

No.	Part No	Description	Qty
-----	---------	-------------	-----

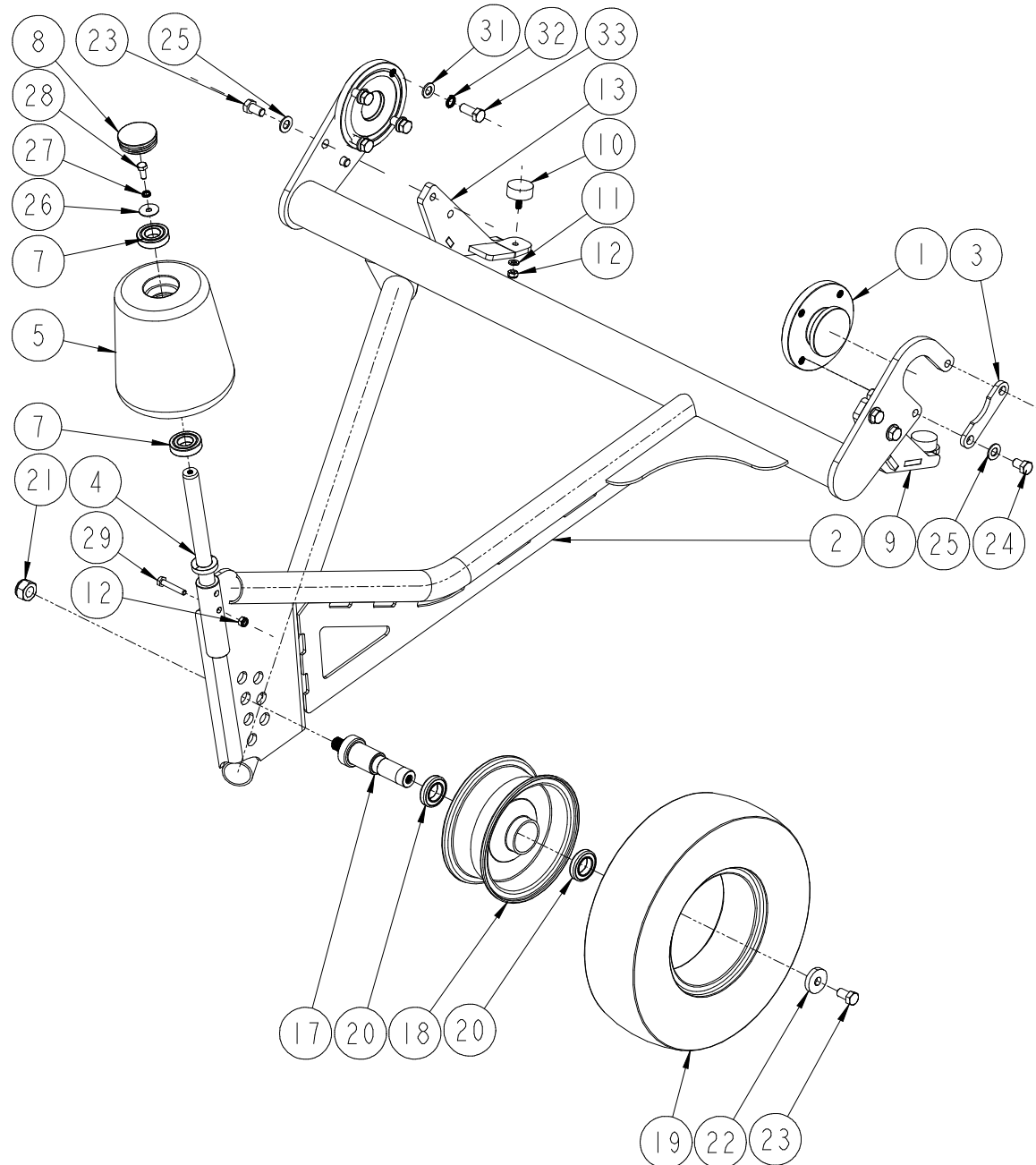
**Drawbar (215)**



No.	Part No	Description	Qty
1	ADB00014	DRAWBAR ASSEMBLY COMBI	1
2	CBR00019	BEARING GLACIER PM 6060	2
3	ADB00013	DRAWBAR ADJUSTABLE COMBI	1
4	CFA00053	BOLT M20X90 Z/P	2
5	CFA00129	NUT M20 NYLOC	2
6	CTP00056	HITCH EYE ASSY COMBI SWIVEL	1
7	CRA00077	RAM DRAWBAR PIVOT COMBI	1
8	CRA00085	RAM ROD DRAWBAR PIVOT CRA00077	1
9	CRA00119	BOTTOM SEAL HOLDER CRA00077	1
10	CRA00118	RAM TOP GLAND CRA00077	1
11	CRA00114	RAM CAP HYD TOP LINK	1
12	CVA00082	VALVE CHECK COMBI DRAWBAR	1
<i>UP TO SERIAL NO 550899</i>			
12	CVA00035	CTE CHECKVALVE MCHALE 20	1
<i>USED FROM SERIAL NO 550900</i>			
12a	CSE00674	SEAL KIT SUN CB VALVE CTE	1
<i>SEAL KIT FOR CVA00035</i>			
13	CFA00111	GREASE NIPPLE M10X1.5 STRAIGHT	1
14	CSE00077	SEAL KIT DRAW BAR PIVOT COMBI	1
15	CHY02034	STEEL PIPE ASSEMBLY HS2000 DRAWBAR	1
16	CZH00401	10MM L HS2000 DRAWBAR PART	1
18	ACH01201	PIN ASY DRAWBAR	2
19	ACH00239	DRAWBAR SAFETY BAR HS2000	1
<i>REPLACES CZH02367</i>			
20	ACH00253	DRAWBAR GUARD ASSY COMBI	1
21	CTP00003	JACK PARKING CW WHEEL COMBI	1
22	CFA00111	GREASE NIPPLE M10X1.5 STRAIGHT	1
23	CBC00004	CAP PLAS FERRULE 5/8	2
24	CTP00062	PIN FOR JACK (COMBI)	1
25	CFA00250	WASHER SKM12	3
26	CFA00031	SETSCREW M12X25 Z/P	2
27	CFA00311	SETSCREW M10X35	2
28	CFA00201	WASHER FLAT 10MM Z/P	4
29	CFA00123	NUT M10 NYLOC	2
30	CFA00202	LINCH PIN 6MM	2
31	CFA00062	GREASE NIPPLE M8X1.25X90 DEGREE	1
32	CFA00249	WASHER SKM8	2
33	CFA00292	SETSCREW M8X10 SOC CAP Z/P	2
34	CFA00470	BOLT M12X180 Z/P	2
35	CFA00138	WASHER FLAT 12MM Z/P	1
36	CFA00124	NUT M12 NYLOC	2
37	CFA00063	BOLT M16X90 Z/P	1
38	CFA00128	NUT M16 NYLOC	1
39	CFA00140	WASHER FLAT 16MM Z/P	1
40	CHY00015	WASHER DOWTY 1/4	2
41	CHY02006	PLUG BLANKING 1/4 MALE	2

No.	Part No	Description	Qty
-----	---------	-------------	-----

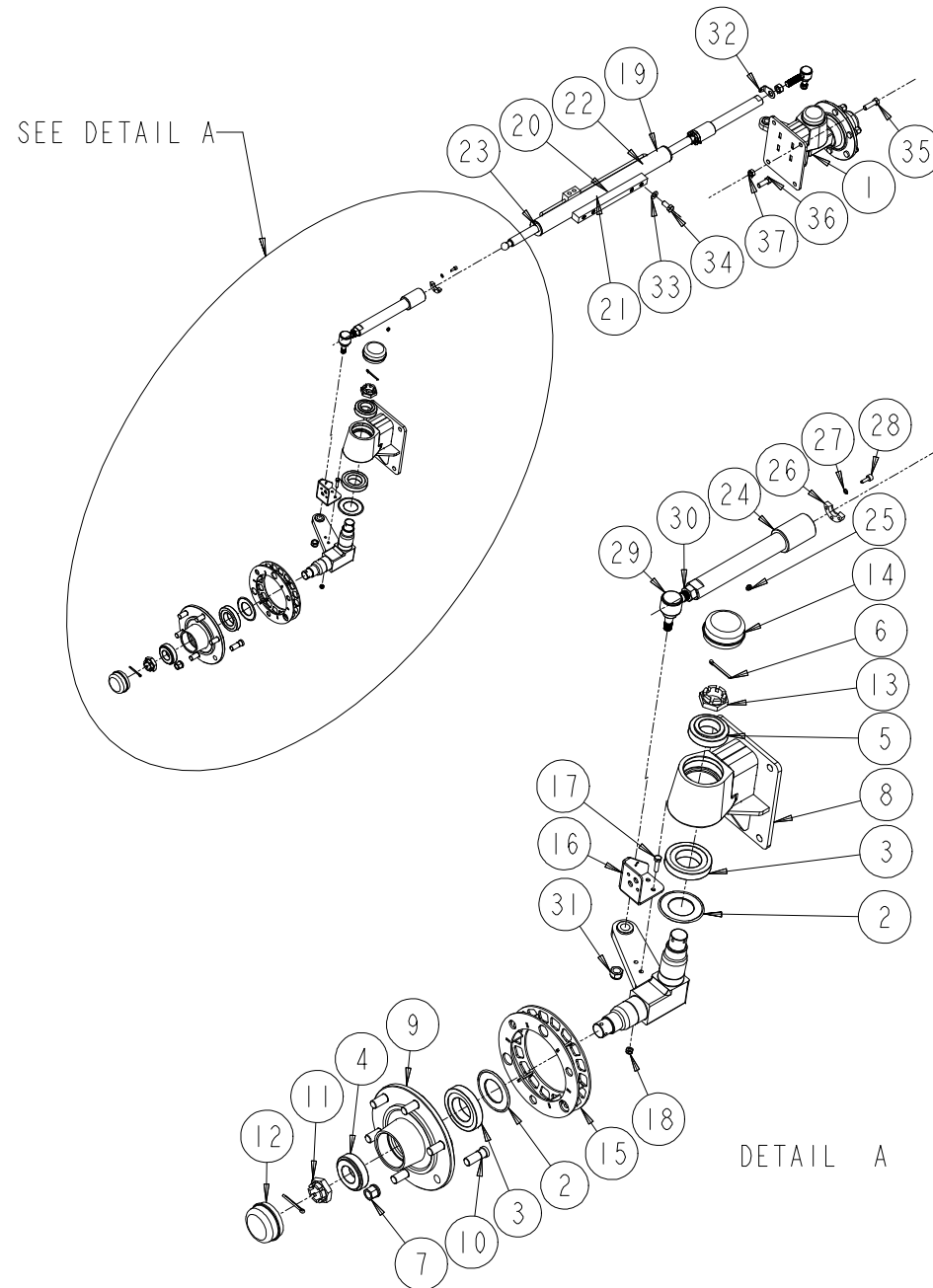
**Side tip (223)**



No.	Part No	Description	Qty
0	ABD00019	SIDE TIP HS2000	1
1	CMH00646	PIN 180X48 STEPPED 4XMI6 THREAD	2
2	ABD00020	SIDE TIP HS2000 WELD ASSEMBLY	1
3	CZH02465	10MM L HOLD ON BRACKET	2
4	ART00005	BOBBIN AXLE SHAFT	1
5	CPL00008	BOBBIN ASSEMBLY	1
<i>INCLUDES BEARINGS (ITEMS 7)</i>			
7	CBR00024	BEARING 62062RS	2
8	CBC00008	CAP PLASTIC INSERT 75MM	1
9	ABD00022	HS2000 SIDE TIP LIFTUP BRKT RT	1
10	CBE00002	BUFFER RUBBER 50X21 M10X28	2
11	CFA00201	WASHERFLAT 10MM Z/P	2
12	CFA00123	NUT M10 NYLOC	3
13	ABD00023	HS2000 SIDE TIP LIFTUP BRKT LT	1
17	CMH00698	PIN 60X197 STEPPED SIDE TIP	1
18	CWH00044	WHEEL ASY 6.00-9 V50	1
<i>SOLD AS COMPLETE WHEEL ASSEMBLY INCLUDING ITEMS 18, 19 &amp; 20</i>			
19	CWH00044	WHEEL ASY 6.00-9 V50	1
<i>SOLD AS COMPLETE WHEEL ASSEMBLY INCLUDING ITEMS 18, 19 &amp; 20</i>			
20	CBR00001	BEARING 6007 2RS	2
21	CFA00130	NUT M24 NYLOC	1
22	CZH00128	10MM L BALEHANDLER WASHER Ø50	1
23	CFA00399	SETSCREW M16X30 Z/P	5
24	CFA00325	SETSCREW M16X25 Z/P	4
25	CFA00252	WASHER SKMI6	8
26	CFA00134	WASHER MUDWING M10X38MM OD	1
27	CFA00137	WASHER SPRING 10MM HD Z/P	1
28	CFA00024	SETSCREW M10X25 Z/P	1
29	CFA00027	BOLT M10X60 Z/P	1
31	CFA00140	WASHERFLAT 16MM Z/P	8
32	CFA00142	WASHER SPRING 16MM Z/P	8
33	CFA00151	SETSCREW M16X40 Z/P	8

No.	Part No	Description	Qty
-----	---------	-------------	-----

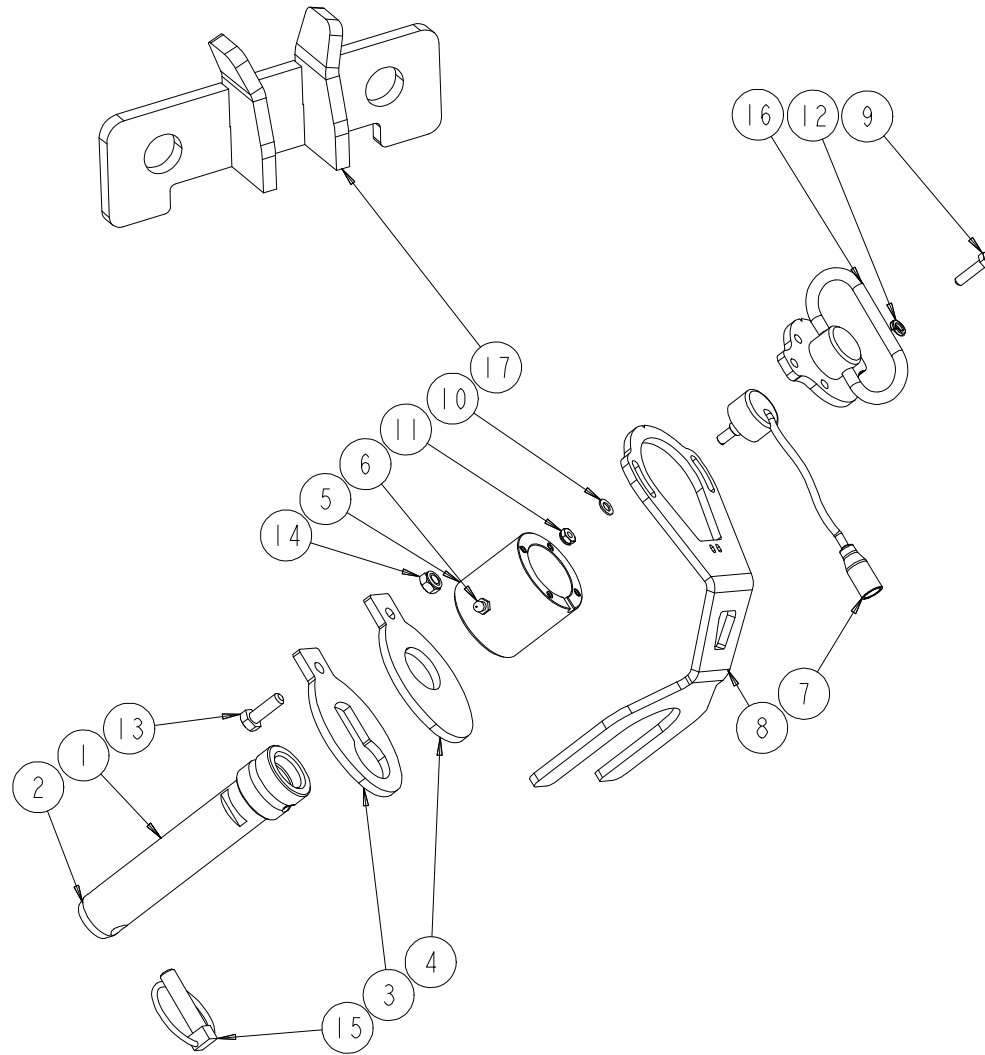
## Steering axle (224)



No.	Part No	Description	Qty
1	CAX00039	AXLE ASSEMBLY RIGHTHAND COMBI	1
2	CSE00109	HUB SEAL 100 X 55 FAD	2
3	CBR00041	BEARING 30211	2
4	CBR00095	BEARING30208A	1
5	CBR00013	BEARING WHEEL 5 STUD AXLE	1
6	CFA00013	SPLITPIN5X5OZIP	12
7	CFA00121	NUT WHEEL M18 6STUDAXLE	6
8	CAX00029	AXLE ASSEMBLY LEFT HAND COMBI	1
9	CAX00034	WHEEL HUB 6 STUD (FAD)	1
10	CFA00235	WHEEL STUD 6 STUD ADR	6
11	CFA00394	NUTCASTLE33X50	1
12	CAX00037	HUB CAP (FAD) 80MM OD	1
13	CFA00397	NUT CASTLE HEAD	1
14	CAX00038	HUB CAP (FAD) 85MM OD	1
15	CAX00044	WHEELSENSOR ASSY COMBI 2000	1
16	CZD02144	4MM L WHEEL SENSOR PART COMBI	1
17	CFA00055	BOLTM8X35Z/P	2
18	CFA00132	NUT M8 NYLOC Z/P	2
19	CRA00122	RAM STEERING AXLE COMBI 2000	1
20	CRA00124	INTERNALSEALHOLDER	1
21	CRA00125	RAM ROD COMBI 2000 STEERING RAM	2
22	CRA00127	INTERNAL SPACER COMBI 2000 STEERING RAM	2
23	CRA00123	RAM SEAL GLAND COMBI 2000	2
24	CRA00156	TRACKROD LINKARM FOR CRA00122	2
25	CFA00118	GREASE NIPPLE M8X1.25 STRAIGHT	1
26	CRA00158	TRACKROD LINKARM RETAINER PART	2
27	CFA00144	WASHERFLAT6MMZIP	6
28	CFA00428	BOLT M6X20 SOC CAP Z/P	6
29	CRA00157	TRACKROD END FOR CRA00122	2
30	CFA00304	NUTM20	1
31	CFA00128	NUT M16 NYLOC	1
32	CZC02062	3MM L H52000 STEERING PART	1
33	CFA00252	WASHER SKMI 6	4
34	CFA00552	BOLT M16 X 35 Z/P	4
35	CFA00315	BOLTM16X55	4
36	CFA00282	BOLT M16X45	4
37	CFA00128	NUT M16 NYLOC	8

No.	Part No	Description	Qty
-----	---------	-------------	-----

**Drawbar steering pin (227)**

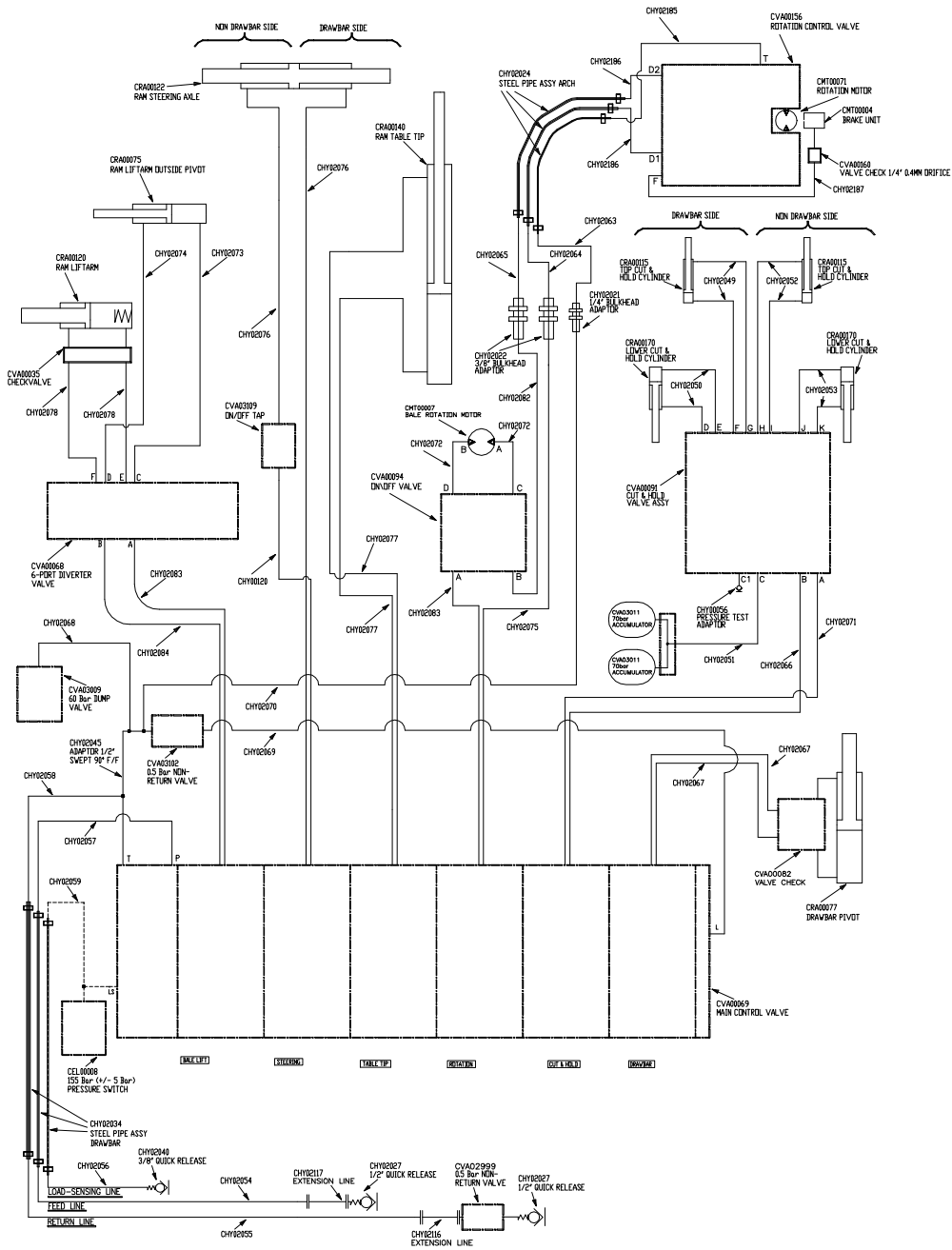




No. Part No	Description	Qty
1 ACH00231	DRAWBAR PIN ASSY HS2000	1
<i>PIN ASSEMBLY (INCLUDES ITEMS 3 THROUGH 16)</i>		
3 CZF02530	6MM L STEERING PIN PART Z/P	1
4 CZF02531	6MM L DRAWBAR PIN PART HS2000	1
5 CMH00525	BUSH 40X50X75 Z/P	1
6 CFA00118	GREASE NIPPLE M8X1.25 STRAIGHT	1
7 CEL00141	POTENTIOMETER HS2000 DRAWBAR	1
8 CZF02533	6MM L DRAWBAR PIN PART HS2000	1
9 CFA00098	SETSCREW M6X25 Z/P	6
10 CFA00144	WASHER FLAT 6MM Z/ P	2
11 CFA00131	NUT M6 NYLOC	2
12 CFA00396	WASHER SPRING M6 Z/P	4
13 CFA00102	SETSCREW M8X25 Z/P	1
14 CFA00132	NUT M8 NYLOC Z/P	1
15 CFA00005	LINCH PIN 10MM	1
16 CTP00043	HS2000 STEERING PIN HANDLE	1
17 ACH00234	COMBI BALER HITCH MOD BRACKET	1

No. Part No	Description	Qty
-------------	-------------	-----

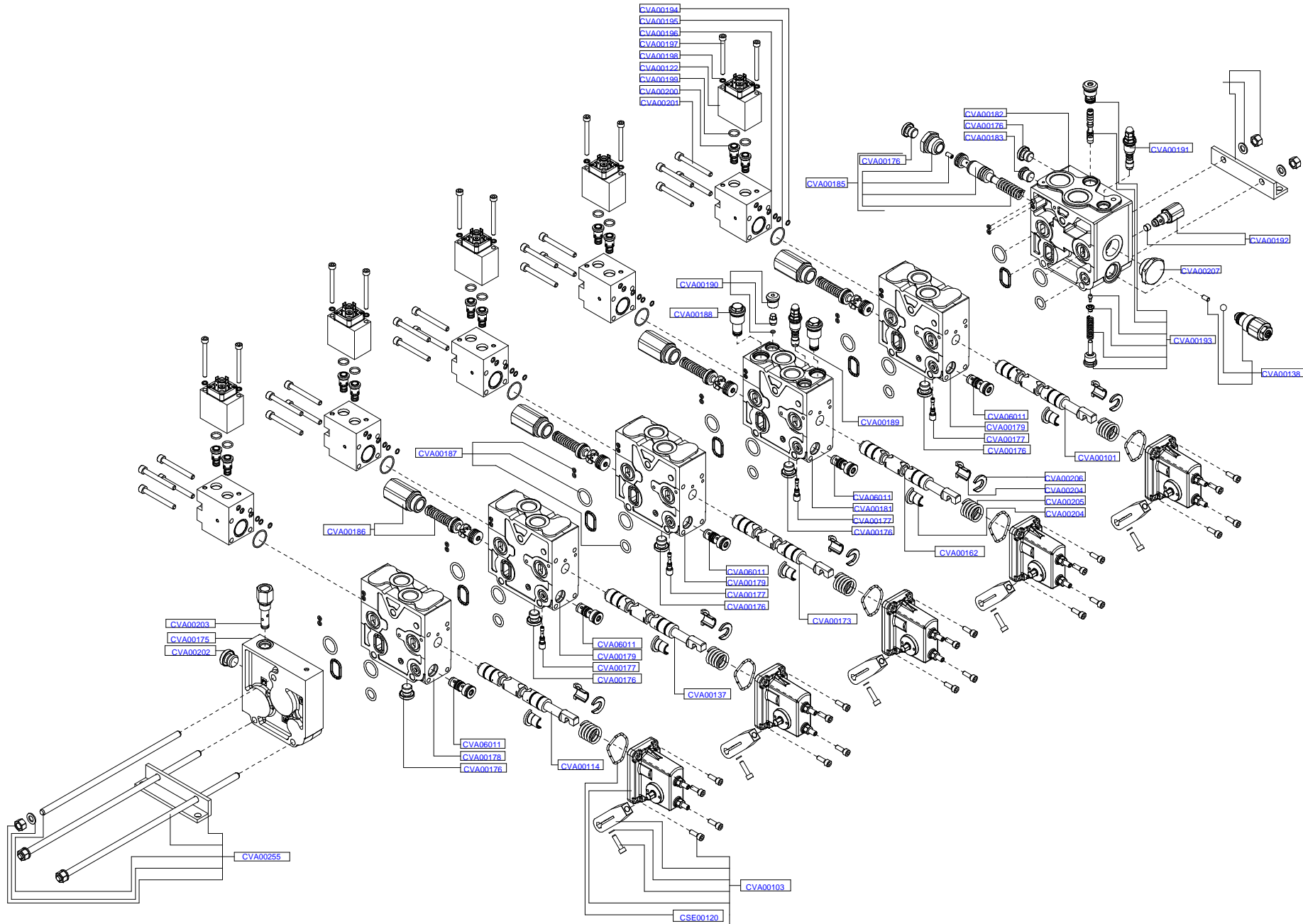
# Hydraulic hosing (222)



No.	Part No	Description	Qty
1	CHY02185	1/4" 700MM F BSP O TO F BSP O	1
2	CHY02186	3/8" 700MM F BSP O TO F BSP O	1
3	CHY02187	1/4" 600MM F BSP O TO F BSP O	1
4	CHY02063	1/4" 650MM F BSP O TO F BSP O	1
5	CHY02064	3/8" 550MM F BSP O TO F BSP O	1
6	CHY02065	3/8" 525MM F BSP O TO F BSP O	1
7	CHY02186	3/8" 700MM F BSP O TO F BSP O	1
8	CHY02066	3/8" 825MM F BSP 900 TO F BSP 900,900	1
9	CHY02067	1/4" 1100MM F BSP 900 TO F BSP 900,2500	2
10	CHY02068	1/4" 300MM F BSP 900 TO M BSP O	1
11	CHY02069	1/4" 225MM F BSP O TO F BSP 900	1
12	CHY02070	1/4" 325MM F BSP 900 TO F BSP 900,2700	1
13	CHY02071	3/8" 725MM F BSP 900 TO F BSP 900,900	1
14	CHY02072	3/8" 2400MM F BSP 900 TO F BSP O	2
15	CHY02073	3/8" 2600MM F BSP 900 TO F BSP 900,1800	1
16	CHY02074	3/8" 2500MM F BSP 900 TO F BSP 45"	1
17	CHY02075	3/8" 725MM F BSP O TO F BSP 900	1
18	CHY02077	3/8" 2200MM F BSP 900 TO F BSP O	2
19	CHY02078	3/8" 2400MM F BSP 900 TO F BSP 900	2
20	CHY02082	3/8" 450MM F BSP O TO F BSP 900	1
21	CHY02083	3/8" 525MM F BSP 900 TO F BSP O	2
22	CHY02084	3/8" 425MM F BSP 900 TO F BSP O	1
23	CHY02116	5/8" 1 000MM F BSP O TO M BSP O	1
24	CHY02117	1/2" 1000MM F BSP O TO M BSP O	1
25	CHY02049	1/4" 2250MM F BSP O TO F BSP 900	2
26	CHY02050	1/4" 1550MM F BSP O TO F BSP 900	2
27	CHY02051	1/4" 1400MM F BSP 900 TO F BSP 900,900	1
28	CHY02052	1/4" 3300MM F BSP O TO F BSP 900	2
29	CHY02053	1/4" 2800MM F BSP O TO F BSP 900	2
30	CHY02054	1/2" 1500MM M BSP O TO F BSP O	1
31	CHY02055	5/8" 1400MM F BSP O TO F BSP O	1
32	CHY02056	1/4" 1500MM M BSP O TO F BSP O	1
33	CHY02057	1/2" 750MM F BSP O TO F BSP 900	1
34	CHY02058	5/8" 825MM F BSP O TO F BSP 900	1
35	CHY02059	1/4" 575MM F BSP O TO F BSP 900	1

No.	Part No	Description	Qty
-----	---------	-------------	-----

# Hydraulic valve main control (955)



No.	Part No	Description	Qty
0	CVA00281	VALVE CONTROL 5 BANK HS2000	1
COMPLETE VALVE ASSEMBLY			
1	CSE00120	SEAL O-RING LEVER BOX DPC130	5
2	CVA00101	SPOOL LIFTARM DPC130 HS2000	1
3	CVA00103	LEVER PIVOT BOX DPC130	5
4	CVA00114	SPOOL 10L HS2000 FUSION2 F560	1
5	CVA00122	SOLENOID DPC130	5
6	CVA00137	SPOOL CUT & HOLD DPCI30 HS2000	1
7	CVA00138	PLUG OPEN/CLOSED DSK DPCI30	1
8	CVA00162	SPOOL STEER & TIP DPCI30 HS2000	1
9	CVA00173	SPOOL ROTATION DPCI30 HS2000	1
11	CVA00175	END BLOCK VALVE CHEST HS2000	1
12	CVA00176	PLUG BSP 1/4	7
13	CVA00177	FLOW LIMITER DPC 130	4
14	CVA00178	VALVE SECTION DPCI30 D10	1
15	CVA00179	VALVE SECTION DPCI30 C10	3
17	CVA00181	VALVE SECTION DPCI30 C22	1
18	CVA00182	INLET SECTION HS2000/FUS VALVE	1
19	CVA00183	TAP M14 X 1.5 VALVE HS2000/FUS	1
20	CVA00185	INLET COMPENSATION VALVE DPC13	1
21	CVA00186	SECTION COMPENSATOR DPC130	4
22	CVA00187	SEAL KIT DPC130 O-RINGS	6
23	CVA00188	PLUG UT/DPC130	2
24	CVA00189	VALVE DPC130 (40-180 bar)	1
25	CVA00190	VALVE CHECK DPC130	1
26	CVA00191	VALVE DPC130 (180-350 bar)	1
27	CVA00192	FILTER LOAD SENSING DPCI30	1
28	CVA00193	VALVE PRESSURE REDUCING DPCI30	1
29	CVA00194	O-RING SEAL 5 x 1.2 MM PARKER	5
30	CVA00195	O-RING SEAL 21.95 x 1.78 MM	5
31	CVA00196	BODY DPC130	5
32	CVA00197	SOC CAP M5 x 55 MM	10
33	CVA00198	WASHER ELASTIC M5	10
34	CVA00199	O-RING SEAL 11.11 x 1.78 MM	10
35	CVA00200	PRESSURE REDUCER DPC130	10
36	CVA00201	SOC CAP SCREW M6 X 55MM	20
37	CVA00202	PLUG BSP 3/8	1
38	CVA00203	JOINT DPC130	1
39	CVA00204	OPEN BUSHING DPCI30	10
40	CVA00205	SPRING DPC130	5
41	CVA00206	RING 11.2 x 23 x 3 MM	5
42	CVA00207	PLUG DPC130	1
43	CVA00255	TIE ROD & SUPPORT BRACKET KIT	1
44	CVA06011	CTE SHUTTLE VALVE DPC	5
44	CSE00138	SEAL KIT DPC130 SHUTTLE VALVE	1
SEAL KIT FOR SHUTTLE VALVE CVA06011			
45	CVA06002	VALVE HANDLE M8 (NOT SHOWN)	1

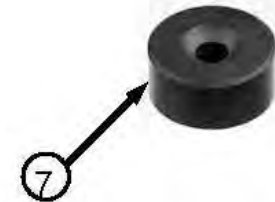
No.	Part No	Description	Qty
-----	---------	-------------	-----



No.	Part No	Description	Qty
0	CVA00069	VALVE CTL 6 BANK HS2000 STEERING	1
COMPLETE VALVE ASSEMBLY			
1	CSE00120	SEAL O-RING LEVER BOX DPC130	6
2	CVA00101	SPOOL LIFTARM DPC130 HS2000	1
3	CVA00103	LEVER PIVOT BOX DPC130	6
4	CVA00114	SPOOL DRAWBAR DPC130 H52000	1
5	CVA00122	SOLENOID DPC130	6
6	CVA00137	SPOOL CUT & HOLD DPC130 H52000	1
7	CVA00138	PLUG OPEN/CLOSED DSK DPC130	1
8	CVA00162	SPOOL STEER & TIP DPC130 H52000	2
9	CVA00173	SPOOL ROTATION DPC130 H52000	1
10	CVA00174	TIE ROD KIT VALVE CHEST H52000	1
11	CVA00175	END BLOCK VALVE CHEST H52000	1
12	CVA00176	PLUG BSP 1/4	7
13	CVA00177	FLOW LIMITER DPC 130	5
14	CVA00178	VALVE SECTION DPC130 D10	1
15	CVA00179	VALVE SECTION DPC130 C10	2
16	CVA00180	VALVE SECTION DPC130 C21	2
17	CVA00181	VALVE SECTION DPC130 C22	1
18	CVA00182	INLET SECTION HS2000/FUS VALVE	1
19	CVA00183	TAP M14 X 1.5 VALVE HS2000/FUS	1
20	CVA00185	INLET COMPENSATION VALVE DPC13	1
21	CVA00186	SECTION COMPENSATOR DPC130	5
22	CVA00187	SEAL KIT DPC130 O-RINGS	7
23	CVA00188	PLUG UT/DPC130	6
24	CVA00189	VALVE DPC130 (40-180 bar)	3
25	CVA00190	VALVE CHECK DPC130	1
26	CVA00191	VALVE DPC130 (180-350 bar)	1
27	CVA00192	FILTER LOAD SENSING DPC130	1
28	CVA00193	VALVE PRESSURE REDUCING DPC130	1
29	CVA00194	O-RING SEAL 5 x 1.2 MM PARKER	6
30	CVA00195	O-RING SEAL 21.95 x 1.78 MM	6
31	CVA00196	BODY DPC130	6
32	CVA00197	SOC CAP M5 x 55 MM	12
33	CVA00198	WASHER ELASTIC M5	12
34	CVA00199	O-RING SEAL 11.11 x 1.78 MM	12
35	CVA00200	PRESSURE REDUCER DPC130	12
36	CVA00201	SOC CAP SCREW M6 X 55MM	24
37	CVA00202	PLUG BSP 3/8	1
38	CVA00203	JOINT DPC130	1
39	CVA00204	OPEN BUSHING DPC130	12
40	CVA00205	SPRING DPC130	6
41	CVA00206	RING 11.2 x 23 x 3 MM	6
42	CVA00207	PLUG DPC130	1
43	CVA06011	CTE SHUTTLE VALVE DPC	6
43	CSE00138	SEAL KIT DPC130 SHUTTLE VALVE	1
SEAL KIT FOR SHUTTLE VALVE CVA06011			
44	CVA06002	VALVE HANDLE M8 (NOT SHOWN)	1

No.	Part No	Description	Qty
-----	---------	-------------	-----

**Electrical control 1 (218)**





No.	Part No	Description	Qty
1	CEL00147	HS2000 EXPERT CONTROLLER	1
2	CEL00031	LOOM POWER ELECTRONIC MONITOR	1
3	CEL00064	LOOM COBO WHITE CON EURO LEAD	1
4	CPL00007	VACUUM PAD FLAT BACK	1
5	CEL00004	SENSOR CABLE 3.6M	3
<i>CEL000215 UNIVERSAL MAGNETIC SENSOR IS A SUITABLE REPLACEMENT FOR THIS PART. ALL McHALE MAGNETIC SENS</i>			
6	CEL00017	MAGNET BLUE WHEEL	5
7	CEL00059	MAGNET 20x10MM	4

No.	Part No	Description	Qty
-----	---------	-------------	-----

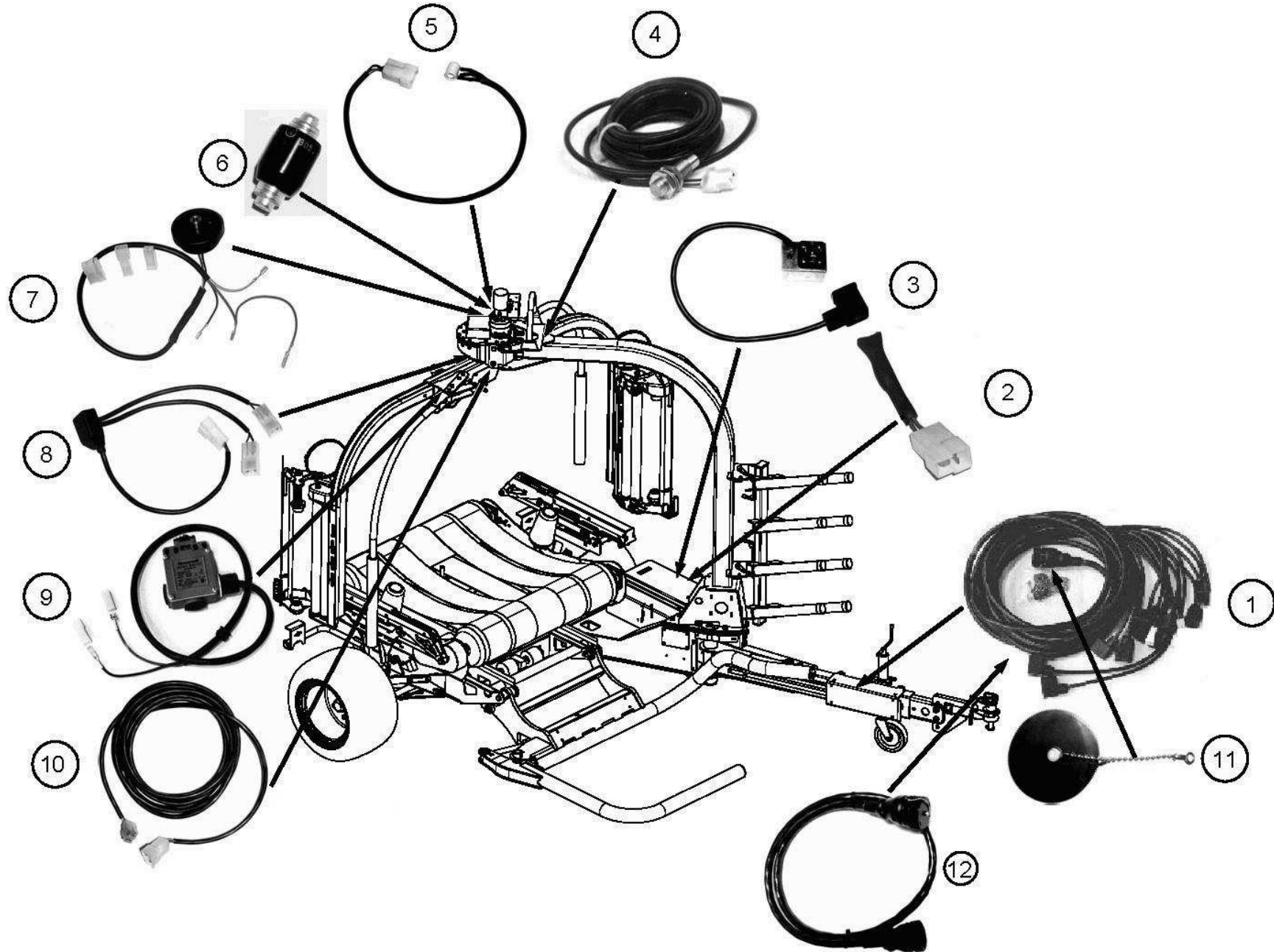
# Expert control unit (1074)



No.	Part No	Description	Qty
1	CEL00071	CTRL EXPERT 991	1
1	CEL00189	CTRL EXPERT FUSION 1	1
1	CEL00147	CTRL EXPERT HS2000	1
1	CEL00168	EXPERT CONTROL UNIT	1
1	CEL00153	CTRL EXPERT 991 RECON	1
1	CEL00253	CTRL EXPERT FUSION 1 RECON	1
1	CEL00185	CTRL EXPERT HS2000 RECON	1
1	CEL00645	CTRL EXPERT 998 RECON	1
1	CEL01649	CTRL EXPERT 2 C4 FEEDER/BLOWER	1
1	CEL01778	CTRL EXPERT 2 C4 RECON	1
2	CEL00288	EXPERT CONTROL BOX SCREEN	1
3	CEL00321	SCREEN PROTECTOR EXPERT	1
4	CEL00326	BATTERY EXPERT/EXPERT PLUS	1
5	CEL00365	CTRL UNIT CONNECTOR LOCK RING	1
6	CEL00670	CONTROL UNIT STOP SWITCH	1
7	CEL00671	STOP SWITCH CONTACT BLOCK - FOR CEL00670	1
8	CEL00371	EXPERT CABLE+PLATE 991/HS/998	1
8	CEL00372	EXPERT CABLE + PLATE FUSION1	1
8	CEL01675	EXPERT 2 CABLE + PLATE C4	1
9	CEL00064	EURO POWER LEAD	1
9	CEL01581	POWER LEAD USA	1
NORTH AMERICA ONLY			
10	CEL00010	EURO SOCKET TO BATT POWER LEAD	1
11	CEL00254	RDS EXPERT UPLOAD KIT	1
12	CEL00031	POWER LEAD	1
13	CPL00007	VACUUM PAD FLAT BACK	1
14	KST00070	CONTROL UNIT MOUNTING BRACKETS	1
15	CEL00098	CON HSG TAB 2 WAY AMP 180924-0	1
16	CEL00027	TERM CRIMP TAB AMP NO 42565-2	1
17	CEL00381	EXPERT KEYPAD MEMBRANE	1
18a	CEL00341	OVERLAY EXPERT HS2000	1
18b	CEL00340	OVERLAY EXPERT 998	1
18c	CEL00339	OVERLAY EXPERT 991	1
18d	CEL00342	OVERLAY EXPERT FUSION	1
18e	CEL01615	OVERLAY EXPERT 2 991	1
18f	CEL01616	OVERLAY EXPERT 2 998	1
18g	CEL01673	OVERLAY EXPERT 2 C4	1
19	CEL00324	BUZZER EXPERT	1
20	CEL00386	FUSION EXPERT EXTERNAL BUZZER	1
21	CEL01753	CONTROL UNIT STOP SWITCH NUT	1
22	CEL00315	PLUG 9 WAY D-TYPE (FARNELL: 108-4672 (10 PACK))	1
23	CEL00122	CON 9 WAY PLUG MALE	1
24	CEL00316	BACKSHELL 9 WAY D-TYPE	1
25	CEL00664	REMOTE HAND PIECE R/C	1
26	CEL00665	RADIO REMOTE RECEIVER	1
27	CEL00013	REMOTE HAND PIECE	1
28	CEL00012	REMOTE RECEIVER	1
29	CEL01643	2.4 GHZ RADIO REMOTE TRANSMITTER	1
30	CEL01644	2.4 GHZ RADIO REMOTE RECEIVER	1

No.	Part No	Description	Qty
31	CEL00836	REMOTE HAND CONTROLLER 991/995	1
32	CEL01665	C4 JOYSTICK HAND PIECE	1

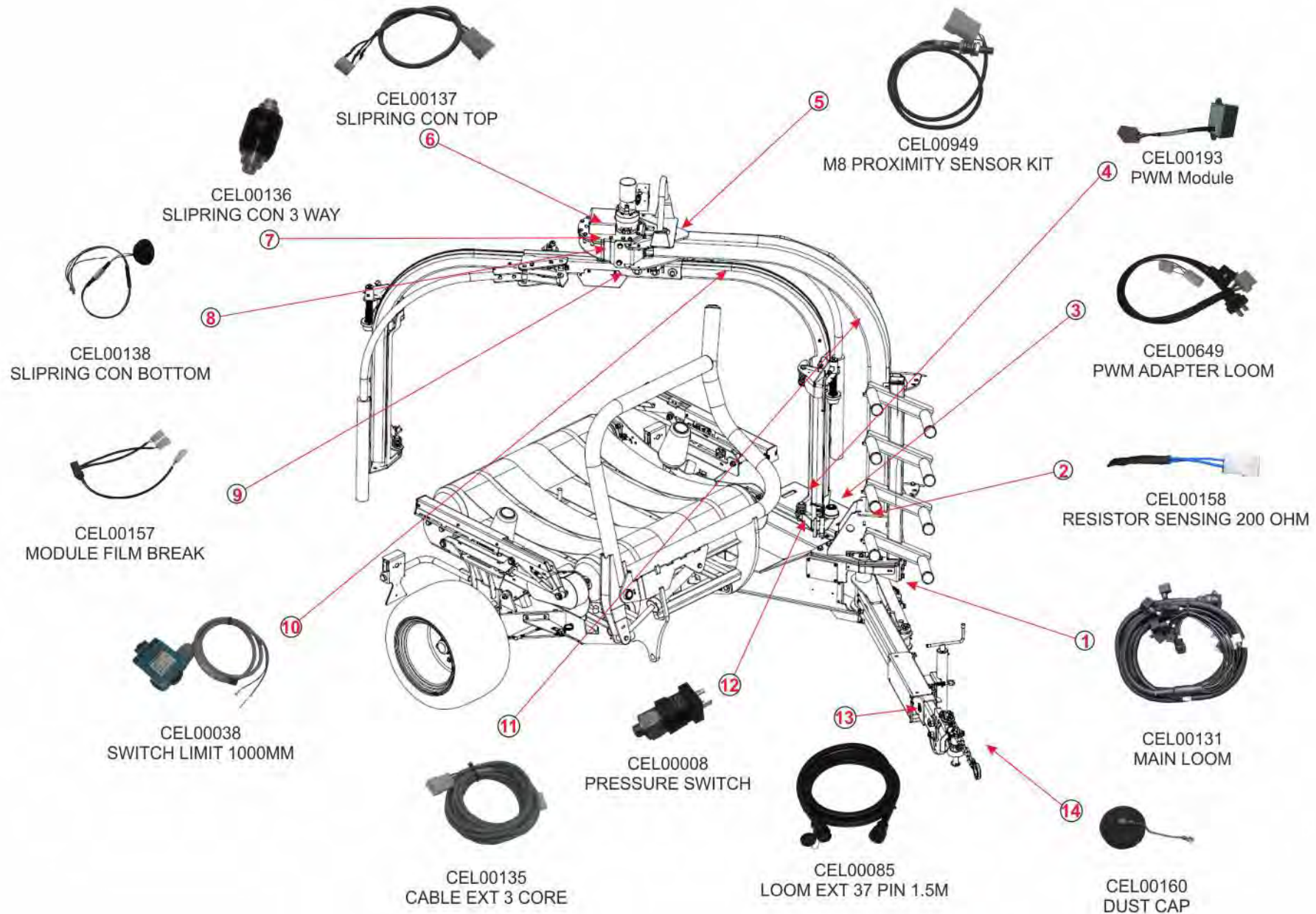
**Electrical control 2 [Up to Serial No 550594] (219)**



No.	Part No	Description	Qty
1	CEL00131	LOOM 37 PIN HS2000	1
2	CEL00158	RESISTOR SENSING 200 OHM	1
3	UWP00214	HS2000 PWM KIT (REPLACES CEL00191)	1
4	CEL00949	M8 PROXIMITY SENSOR KIT - ARCH	1
<i>REPLACES CEL00139</i>			
5	CEL00137	SLIPRING CON TOP ASY 3 WAY	1
6	CEL00136	SLIPRING ROTARY CON 3 WAY	1
7	CEL00138	SLIPRING CON BOTTOM ASY 3 WAY	1
8	CEL00157	FILM BREAK MODULE	1
9	CEL00038	SWITCH LIMIT HONEY W. COMPLETE	2
10	CEL00135	CABLE EXTENSION 3 CORE	2
11	CEL00160	DUST CAP 7M LOOM H52000 ASY	1
12	CEL00085	LOOM EXT 37 PIN 1.5M	1

No.	Part No	Description	Qty
-----	---------	-------------	-----

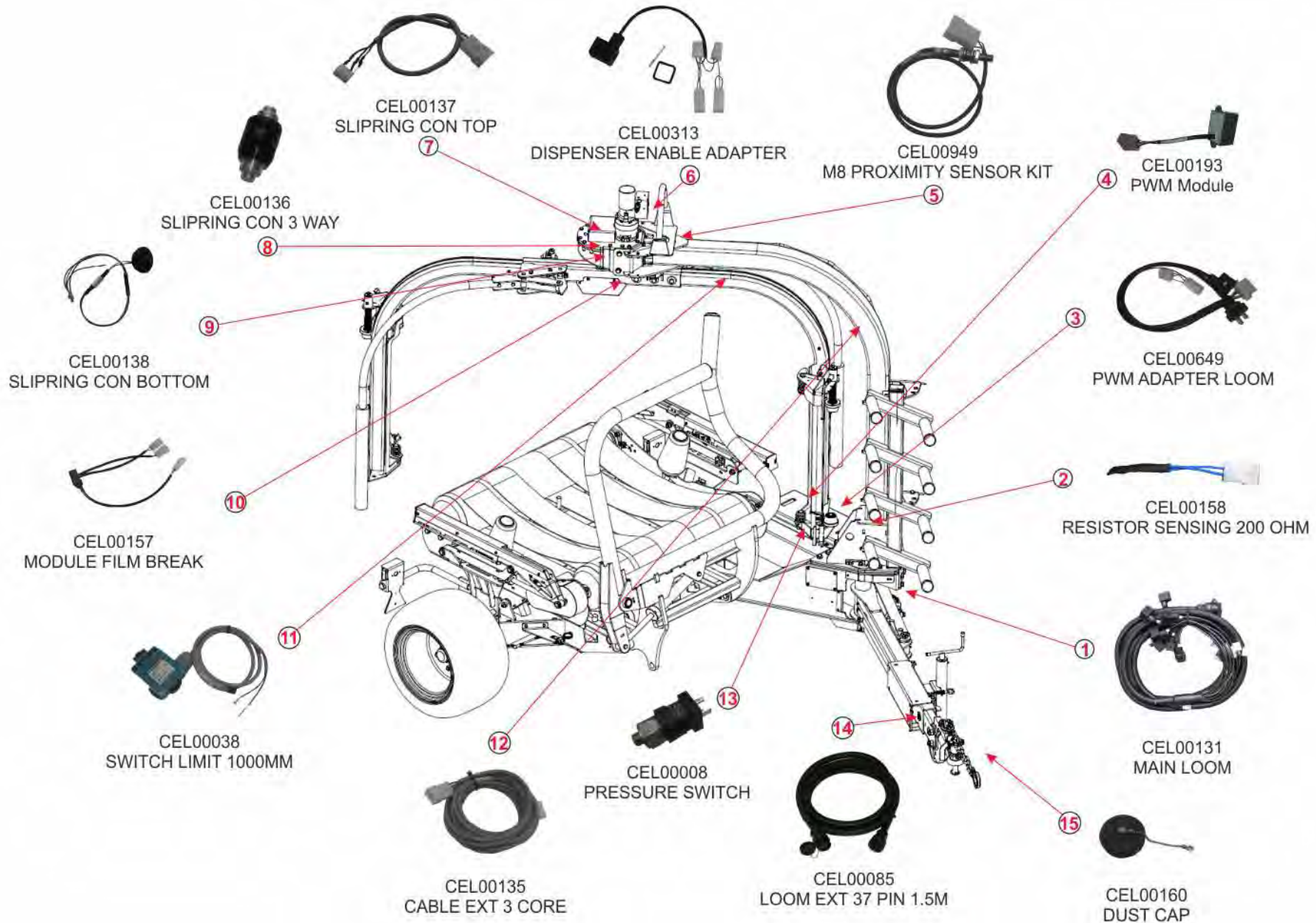
**Electrical control 2 [Serial No 550595 to 550769] (913)**



No.	Part No	Description	Qty
1	CEL00131	LOOM 37 PIN HS2000	1
2	CEL00158	RESISTOR SENSING 200 OHM	1
3	CEL00649	HS PWM ADAPTER LOOM	1
4	CEL00193	MODULE CONSTANT CURRENT	1
5	CEL00949	M8 PROXIMITY SENSOR KIT	1
6	CEL00137	SLIPRING CON TOP ASY 3 WAY	1
7	CEL00136	SLIPRING ROTARY CON 3 WAY	1
8	CEL00138	SLIPRING CON BOTTOM ASY 3 WAY	1
9	CEL00157	FILM BREAK MODULE	1
10	CEL00038	SWITCH LIMIT 1000MM	2
11	CEL00135	EXTENSION CABLE 3.5M 3 CORE	2
12	CEL00008	SWITCH PRESSURE 2000PS	1
13	CEL00085	LOOM EXT 37 PIN 1.5M	1
14	CEL00160	DUST CAP 7M LOOM HS2000 ASSY	1

No.	Part No	Description	Qty
-----	---------	-------------	-----

**Electrical control 2 [Serial No 550770 to 551069] (914)**

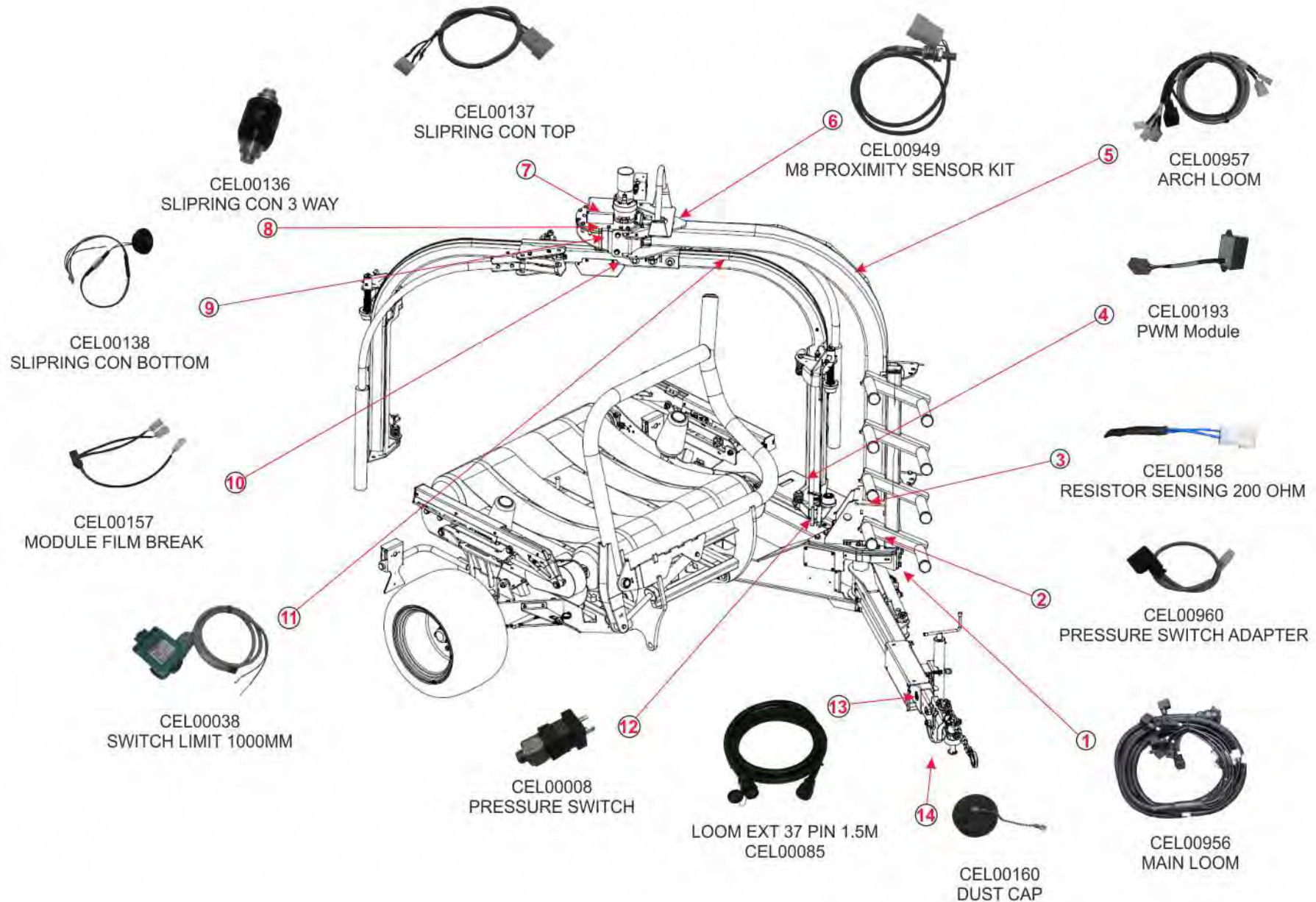




No.	Part No	Description	Qty
1	CEL00131	LOOM 37 PIN HS2000	1
2	CEL00158	RESISTOR SENSING 200 OHM	1
3	CEL00649	HS PWM ADAPTER LOOM	1
4	CEL00193	MODULE CONSTANT CURRENT	1
5	CEL00949	M8 PROXIMITY SENSOR KIT	1
6	CEL00313	ADAPTER DISPENSER ENABLE HS2000	1
7	CEL00137	SLIPRING CON TOP ASY 3 WAY	1
8	CEL00136	SLIPRING ROTARY CON 3 WAY	1
9	CEL00138	SLIPRING CON BOTTOM ASY 3 WAY	1
10	CEL00157	FILM BREAK MODULE	1
11	CEL00038	SWITCH LIMIT 1000MM	2
12	CEL00135	EXTENSION CABLE 3.5M 3 CORE	2
13	CEL00008	SWITCH PRESSURE 2000PS	1
14	CEL00085	LOOM EXT 37 PIN 1.5M	1
15	CEL00160	DUST CAP 7M LOOM HS2000 ASSY	1

No.	Part No	Description	Qty
-----	---------	-------------	-----

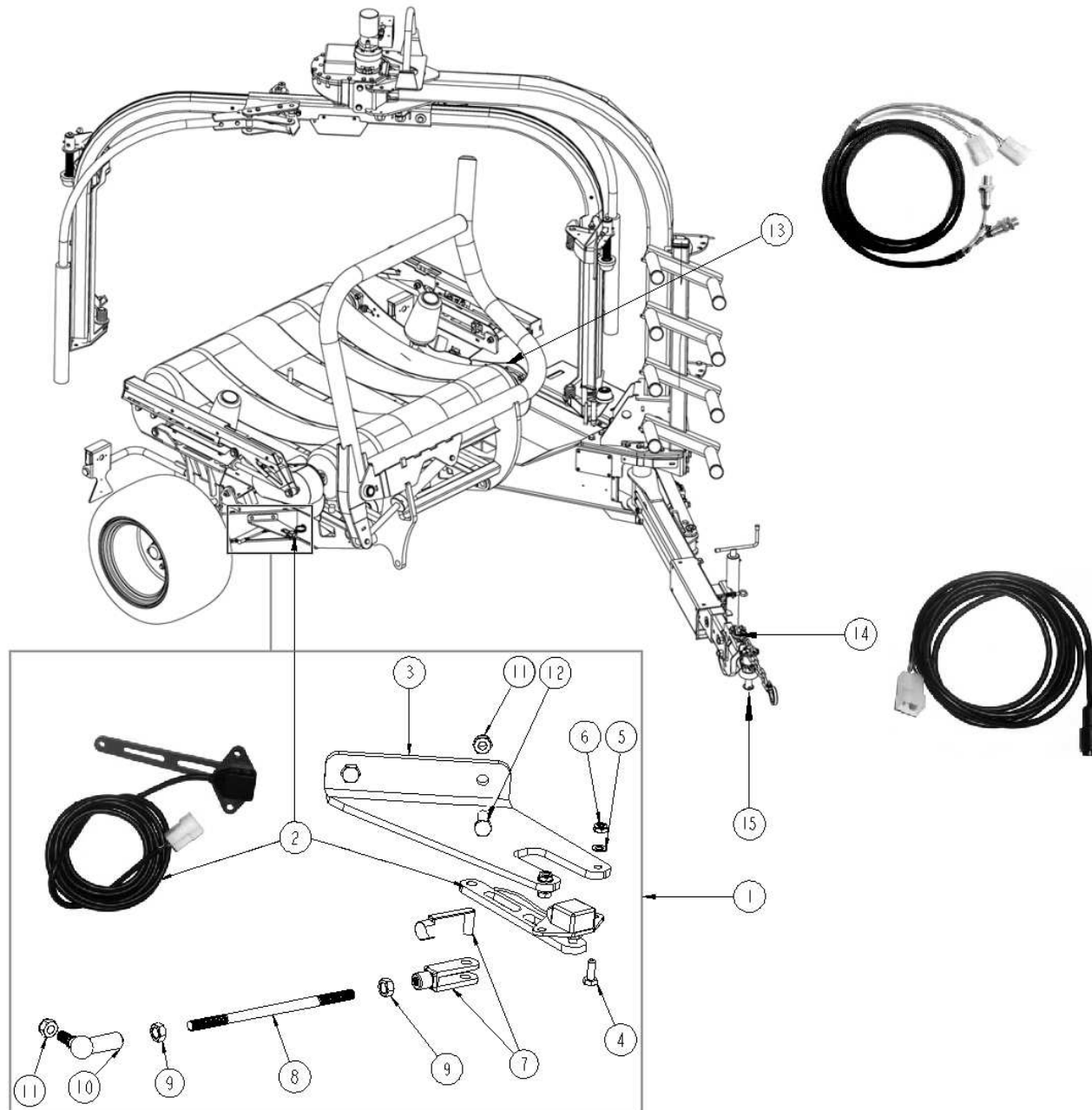
**Electrical control 2 [From Serial No 551070 on] (915)**



No.	Part No	Description	Qty
1	CEL00956	HS2000 MAIN LOOM	1
2	CEL00960	PRESSURE SWITCH ADAPTER	1
3	CEL00158	RESISTOR SENSING 200 OHM	1
4	CEL00193	MODULE CONSTANT CURRENT	1
5	CEL00957	HS2000 ARCH LOOM	1
6	CEL00949	M8 PROXIMITY SENSOR KIT	1
7	CEL00137	SLIPRING CON TOP ASY 3 WAY	1
8	CEL00136	SLIPRING ROTARY CON 3 WAY	1
9	CEL00138	SLIPRING CON BOTTOM ASY 3 WAY	1
10	CEL00157	FILM BREAK MODULE	1
11	CEL00038	SWITCH LIMIT 1000MM	2
12	CEL00008	SWITCH PRESSURE 2000PS	1
13	CEL00085	LOOM EXT 37 PIN 1.5M	1
14	CEL00160	DUST CAP 7M LOOM HS2000 ASSY	1

No.	Part No	Description	Qty
-----	---------	-------------	-----

**Electronic steering - Wheel angle sensor (225)**



No.	Part No	Description	Qty
1	CEL00134	POTENTIOMETER HS2000 STEERING ASM	1
<i>ELECTRONIC STEERING (INCLUDES ITEMS 2 THROUGH 12)</i>			
2	CEL00163	WHEEL ANGLE SENSOR ASSY	1
<i>ELECTRONIC STEERING</i>			
3	CZF02501	6MM L POTENTIOMETER MOUNTING PART	1
4	CFA00454	SETSCREW M6 X 16 Z/P	2
5	CFA00144	WASHER FLAT 6MM Z/P	2
6	CFA00131	NUT M6 NYLOC	2
7	CFA00496	CLEVIS M8X1.25	1
8	CMH00671	PIN 8X157 THREADED BOTH ENDS Z/P	1
9	CFA00133	NUT M8 Z/P	2
10	CFA00495	BALL & SOCKET JOINT	1
11	CFA00132	NUT M8 NYLOC Z/P	3
12	CFA00102	SETSCREW M8X25 Z/P	2
13	CEL00183	SENSOR PROXIMITY STR MCH	1
<i>ELECTRONIC STEERING</i>			
14	CEL00161	LOOM EXT DRAWBAR ANGLE POT	1
<i>ELECTRONIC STEERING</i>			
15	ACH00231	DRAWBAR PIN ASSY HS2000	1
<i>ELECTRONIC STEERING</i>			

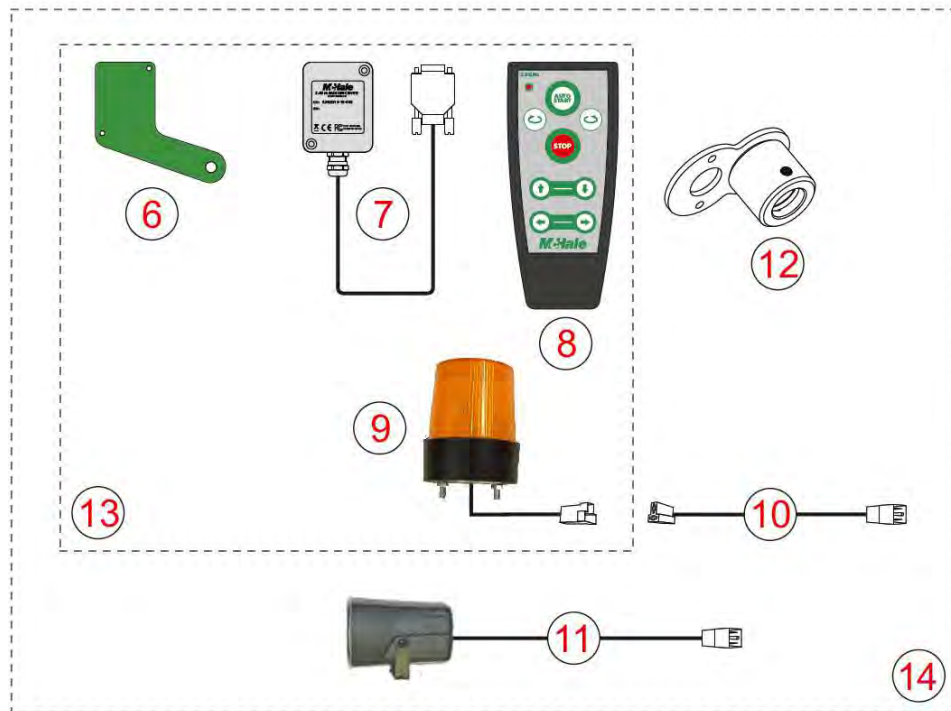
No.	Part No	Description	Qty
-----	---------	-------------	-----

## Remote control options (263)



### Infrared Remote Control

Used on older versions of the 991/995/HS2000 (KST00007) and on the 998 (KST00022).



### Radio Remote Control

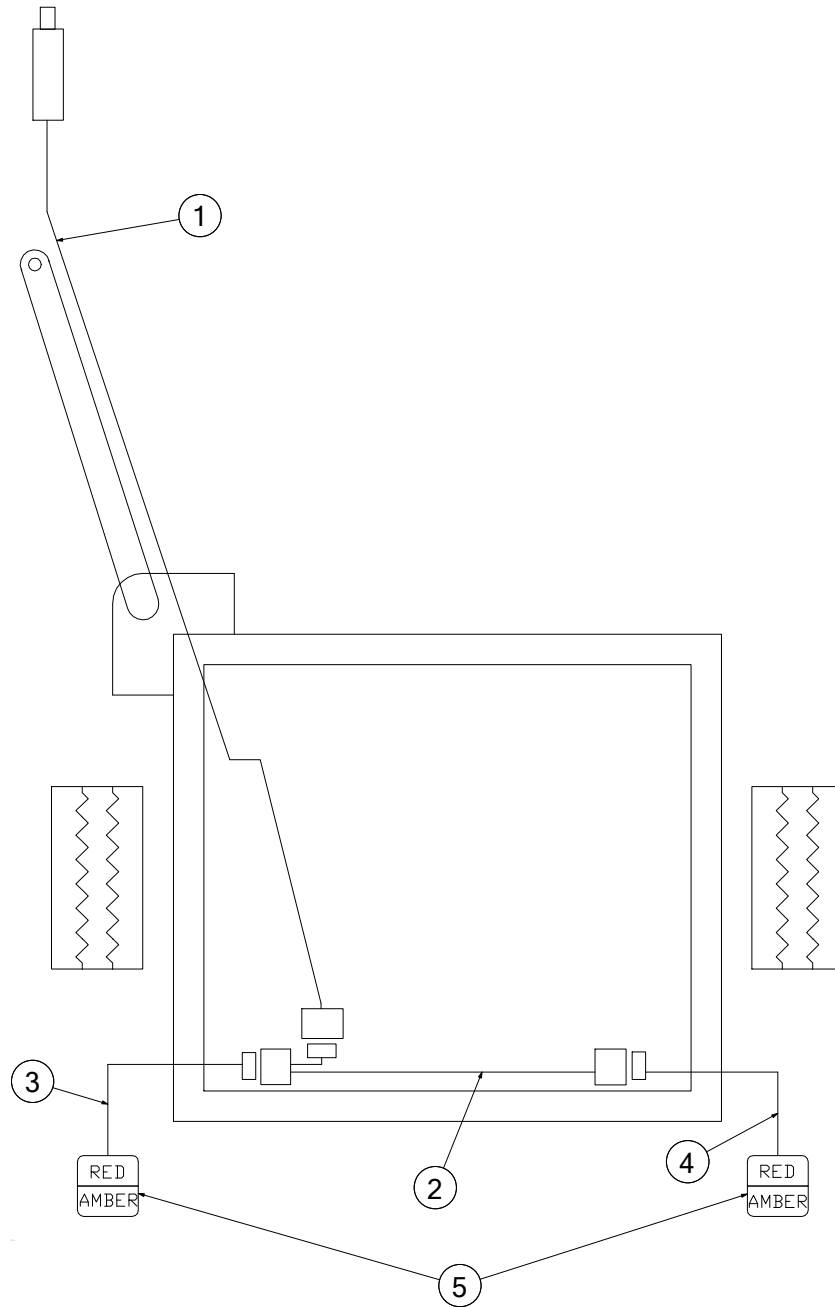
Used on 998 from serial 252200 onwards (KST00098). Kit includes items 6-9.

Supersedes infrared remote control on 991/995 (KST00053) and HS2000 (KST00021). Kit includes items 6-12.

No.	Part No	Description	Qty
1	CEL00013	REMOTE HAND PIECE	1
2	CEL00012	REMOTE RECEIVER	1
3	CZD02128	4MM L REMOTE POD BRACKET	1
4	CPL00007	VACUUM PAD FLAT BACK	1
5	KST00007	KIT REMOTE + BEACON 991/995	1
<i>REPLACED BY RADIO REMOTE CONTROL KIT KST00021 (HS2000) &amp; KST00053 (991/995)</i>			
5	KST00022	KIT INFARED REMOTE+BEACON 998	1
<i>USED ON 998 ONLY</i>			
6	CZC04362	BRACKET REMOTE TRANSMITTER.	1
7	CEL00665	433 MHZ RADIO REMOTE RECEIVER	1
<i>RECEIVER HAS AN EXTERNAL ANTENNA</i>			
7	CEL01644	2.4 GHZ RADIO REMOTE RECEIVER	1
<i>RECEIVER DOES NOT HAVE AN EXTERNAL ANTENNA</i>			
8	CEL00664	433 MHZ REMOTE HAND PIECE R/C	1
<i>TRANSMITTER HAS A GREEN &amp; YELLOW OVERLAY</i>			
8	CEL01643	2.4 GHZ RADIO REMOTE TRANSMITTER	1
<i>TRANSMITTER HAS A SILVER &amp; GREEN OVERLAY</i>			
9	CEL00292	BEACON XENON AMBER	1
<i>REPLACES CEL00032</i>			
10	CEL00293	CABLE EXT 2.8M BEACON 991/995	1
<i>USED ON 991/995 ONLY</i>			
10	CEL00294	CABLE EXT BEACON HS2000	1
<i>USED ON HS2000 ONLY UP TO SERIAL No 551069</i>			
11	CEL00220	WARNING BUZZER	1
12	ADP00160	BRACKET BEACON XENON	1
13	KST00098	RADIO REMOTE 998 252200 ONWARD	1
<i>USED ON 998 FROM SERIAL No 252200 ONWARDS (KIT INCLUDES ITEMS 6 TO 9)</i>			
14	KST00021	KIT REMOTE + BEACON HS2000	1
<i>USED ON HS2000 SERIES ONLY (KIT INCLUDES ITEMS 6 THROUGH 12)</i>			
14	KST00053	KIT RADIO REMOTE+BEACON 991/995	1
<i>USED ON 991/995 SERIES ONLY (KIT INCLUDES ITEMS 6 THROUGH 12)</i>			

No.	Part No	Description	Qty
-----	---------	-------------	-----

**Electrical lighting (220)**

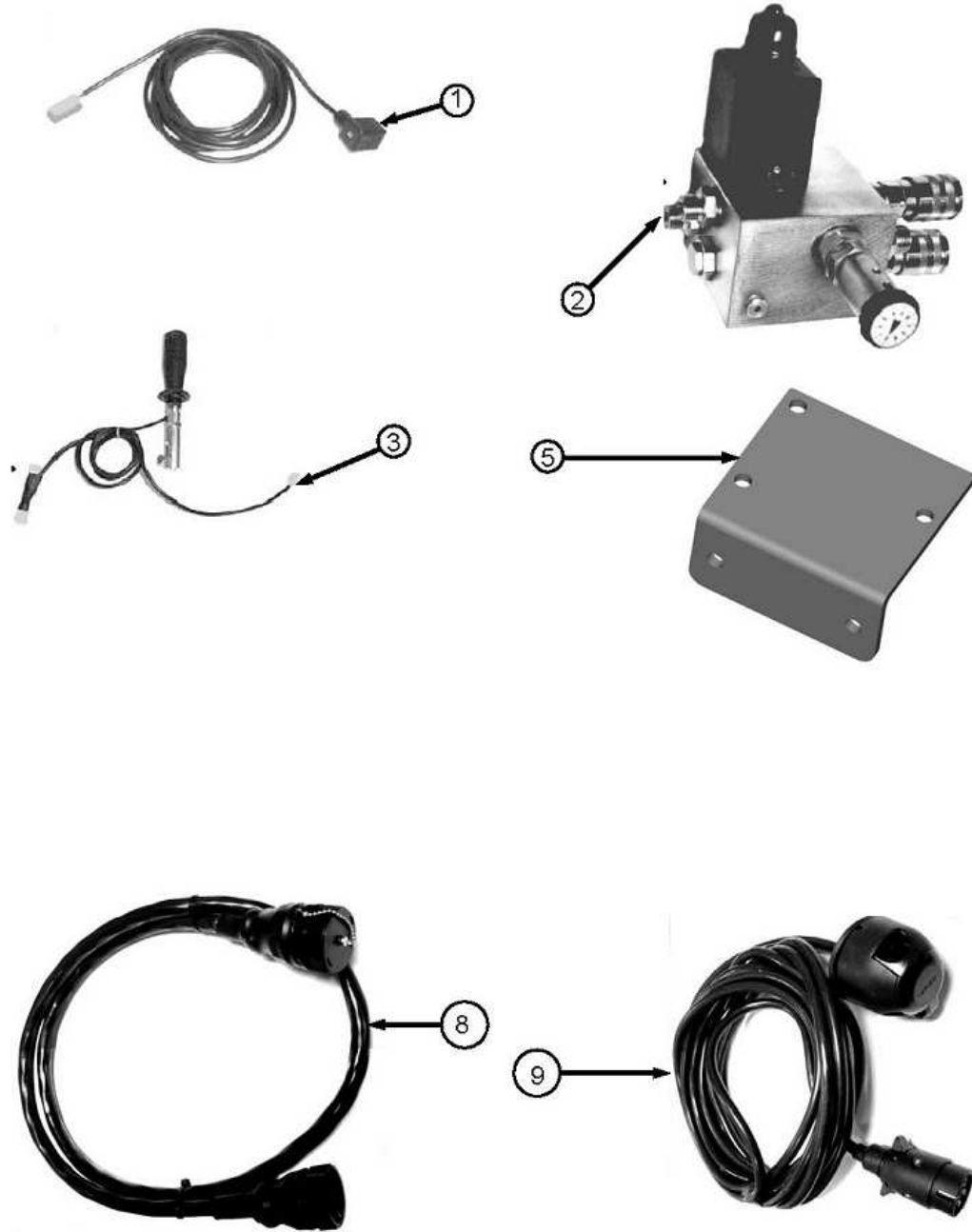




No.	Part No	Description	Qty
0	CEL00129	LIGHTING KIT HS2000	1
1	CEL00180	LOOM LIGHTING HS2000 FRONT	1
1a	CEL01505	LIGHT LOOM ADAPTER (AMERICA)	1
<i>USED TO CONNECT LIGHTING ON MACHINES WITHIN THE USA &amp; CANADA</i>			
1b	CEL01587	7 PIN LIGHTING PLUG SAE J560	1
2	CEL00179	LOOM LIGHTING HS2000 REAR	1
3	CEL00181	LAMP HS2000 REAR LEFT	1
4	CEL00182	LAMP HS2000 REAR RIGHT	1
5	CEL00120	LIGHTING REAR LENS TRAILED	2

No.	Part No	Description	Qty
-----	---------	-------------	-----

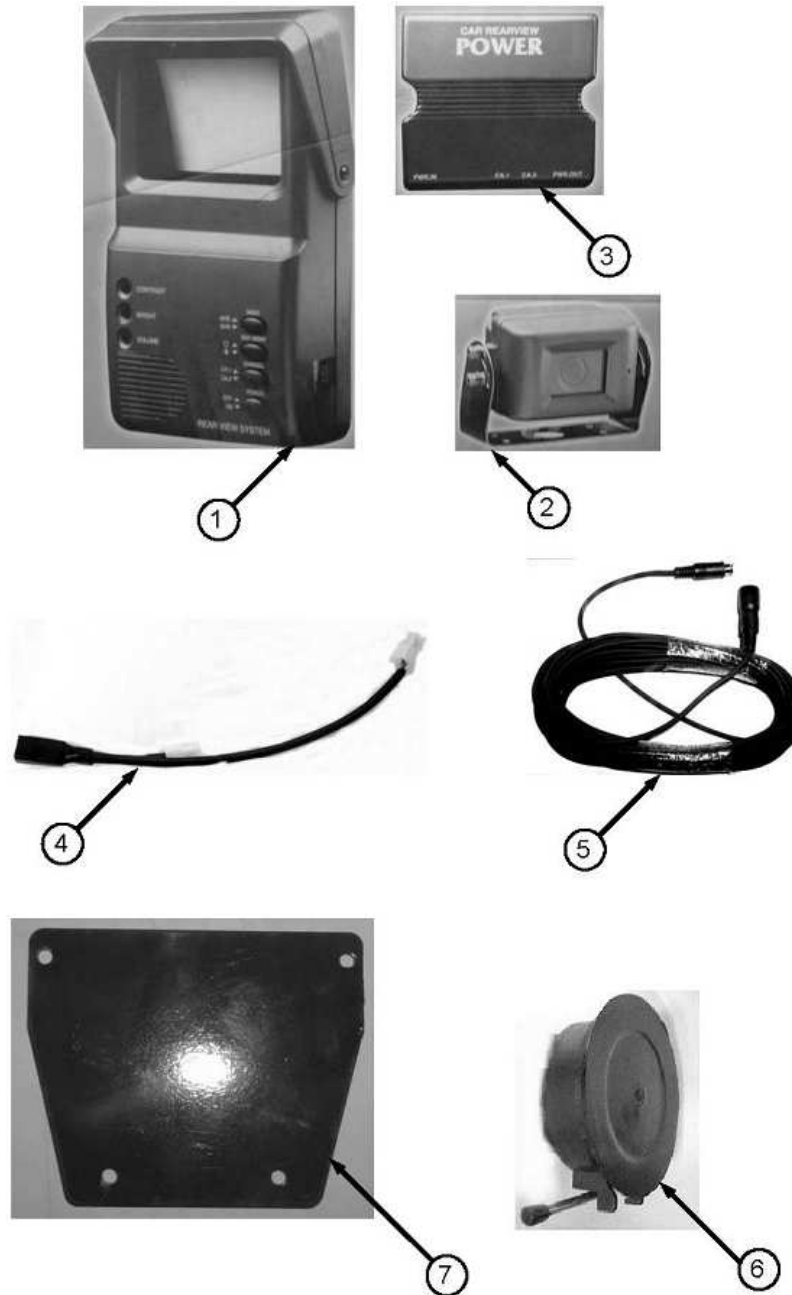
**Baler attach kit (229)**



No.	Part No	Description	Qty
1	CEL00033	LOOM SWITCH DIVERTER COMBI	1
2	CVA00025	VALVE DIVERTER FLOW REGULATOR	1
3	CEL00030	SWITCH DIVERTER VALVE COMBI	1
	N/A CHY00129	HOSE KIT DIVERTER VALVE H52000	1
<i>NOT SHOWN</i>			
5	CZF00248	6MM L COMBI VALVE PLATE	1
	N/A CHY00111	518 $\phi$ 2500MM F BSP O TO F BSP O	1
<i>NOT SHOWN</i>			
	N/A CHY00113	518 $\phi$ 2800MM F BSP O TO F BSP O	1
<i>NOT SHOWN</i>			
	N/A CHY00114	518 $\phi$ 400MM F BSP O TO M BSP O	1
<i>NOT SHOWN</i>			
	N/A CHY00115	112 $\phi$ 2700MM M BSP O TO F BSP 900	2
<i>NOT SHOWN</i>			
	N/A CHY00116	112 $\phi$ 400MM F BSP O TO M BSP O	1
<i>NOT SHOWN</i>			
	N/A CHY00117	112 $\phi$ 2700MM F BSP O TO F BSP O	1
<i>NOT SHOWN</i>			
	N/A CHY00118	114 $\phi$ 5700MM 318 $\phi$ M BSP O TO 318 $\phi$ M BSP O	1
<i>NOT SHOWN</i>			
8	CEL00086	LOOM EXT 37 PIN 7M	1
9	CEL00026	LOOM LIGHTING EXT COMBI	1

No.	Part No	Description	Qty
-----	---------	-------------	-----

**Camera kit (230)**



No.	Part No	Description	Qty
0	KST00013	KIT TV MONITOR COMBI	1
1	CEL00070	TVMONITOR	1
2	CEL00116	TV CAMERA COMBI	1
3	CEL00127	COMBI T.V POWER AMPLIFIER	1
4	CEL00034	LOOM POWER CCTV & AUTO CONT♦	1
5	CEL00042	CAMERA/TV CABLE	1
6	CPL00007	VACUUM PAD FLAT BACK	1
7	CZB00117	1.5MM L COMBI CAMERA BRACKET	1

No.	Part No	Description	Qty
-----	---------	-------------	-----

## Camera & monitor kit (1079)

1



2



3



4



5a



5b



6



7



8



9



9a



10



11



12



13

Kit containing these 3 items

14



15



16



17

Kit containing these 3 items

18



19



20



21



22



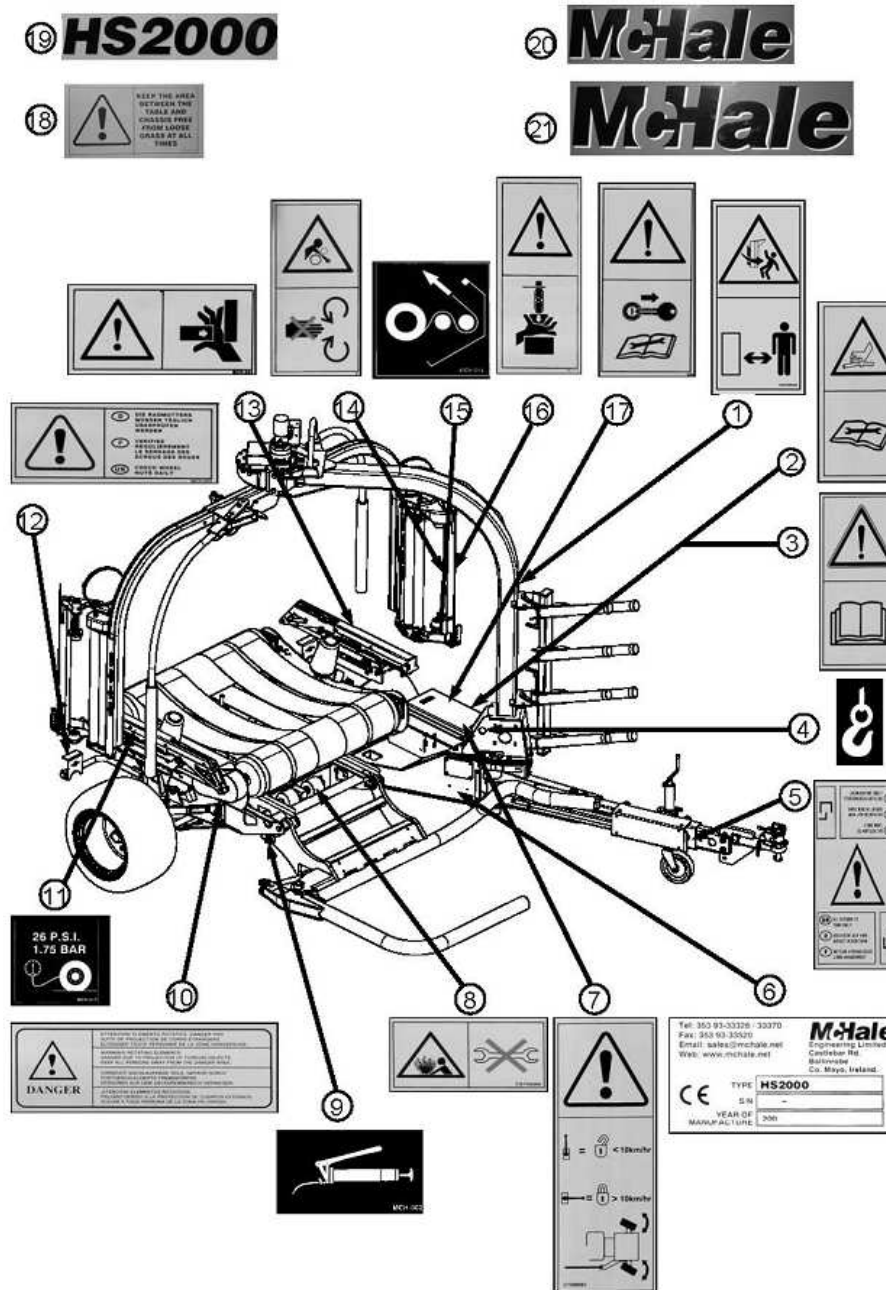
23

Kit containing all of these items

No.	Part No	Description	Qty
1	CEL00961	CAMERA MALE PHONO CONNECTOR	1
2	CEL01371	RCA PHONO SOCKET FEMALE 2WAY	1
3	CEL01593	DOUBLE PHONO ADAPTOR	1
4	CEL01630	FUSE 250MA 5X20MM GLASS	1
4	CEL01631	FUSE 500MA 5X20MM GLASS	1
5a	CEL01609	ISOCAN - FENDT CAMERA ADAPTOR	1
5b	CEL01747	4 PIN - FENDT CAMERA ADAPTER	1
6	CEL01520	SECOND CAMERA POWER ADAPTER	1
7	CEL01585	PHONO TO CAMERA CONNECTOR	1
8	CEL01532	TWIN CAMERA ADAPTER	1
9	KST00074	CAMERA MOUNTING KIT	1
<i>INCLUDES CONNECTOR CABLE (ITEM 9a)</i>			
9a	CEL00034	LOOM POWER CCTV & AUTO CONT'	1
10	CEL00903	CAMERA-ISOCAN SIGNAL CABLE	1
11	CEL00900	COLOUR CAMERA MK1	1
12	CEL01541	CAMERA EXTENSION 5M HIGH-FLEX	1
13	KST00064	2ND CAMERA KIT ISOCAN	1
<i>INCLUDES ITEMS 10, 11 &amp; 12</i>			
14	CEL01506	CAMERA MONITOR	1
15	CEL01550	CAMERA EXTENSION CABLE 10M	1
15	CEL01556	CAMERA EXTENSION CABLE 3M	1
16	CEL01533	COLOUR CAMERA MK2	1
17	KST00068	CAMERA & MONITOR KIT	1
<i>INCLUDES ITEMS 14, 15 &amp; 16</i>			
18	CEL01655	QUAD CAMERA MONITOR	1
19	CEL00064	LOOM COBO WHITE CON EURO LEAD	1
20	CEL01550	CAMERA EXTENSION CABLE 10M	2
21	CEL01533	COLOUR CAMERA MK2	2
22	ATR00047	DOUBLE CAMERA BRACKET COMP ASSY	1
23	KST00100	DUAL CAMERA COMP KIT FRT MOWER	1
<i>INCLUDES ITEMS 18, 19, 20, 21 &amp; 22</i>			

No.	Part No	Description	Qty
-----	---------	-------------	-----

**Decals 1 (221)**





No.	Part No	Description	Qty
0	CST00078	DECAL KIT HS2000	1
1	CST00040	DECAL DISPENSER SAFETY MCH-025	1
2	CST00016	DECALHYDWARNING244	1
3	CST00057	DECAL READ MANUAL F9	2
4	CST00032	DECAL LIFTING HOOK	3
5	CST00006	DECALFREEFLOWRETTOTANK	1
6	N/A	SERIAL NUMBER PLATE H52000	1
7	CST00093	H52000 ONOFF TAP INSTRUCTION	1
8	CST00056	DECAL ACCUMULATOR WARNING	2
9	CST00060	DECAL GREASE GUN	6
10	CST00014	DECAL WARNING!ROTATING ELEMENT	2
11	CST00021	DECAL TYRE PRESSURE MCH-017	2
12	CST00020	DECAL CHECK WHEEL NUTS MCH-003	2
13	CST00019	DECAL CRUSHED HAND MCH-005	2
14	CST00017	DECAL ROTATING ELEMENTS 214	2
15	CST00022	DECAL FILM PATH	2
16	CST00026	DECAL HAND ENTRAPMENT MCH-019	2
17	CST00015	DECAL REMOVE KEY	1
18	CST00102	DECAL REMOVE GRASS H52000	2
19	CST00081	DECAL H52000 HEIGHT 90MM	2
20	CST00079	DECAL MCHALE HEIGHT 90MM	1
21	CST00080	DECAL MCHALE HEIGHT 140MM	2

No.	Part No	Description	Qty
-----	---------	-------------	-----