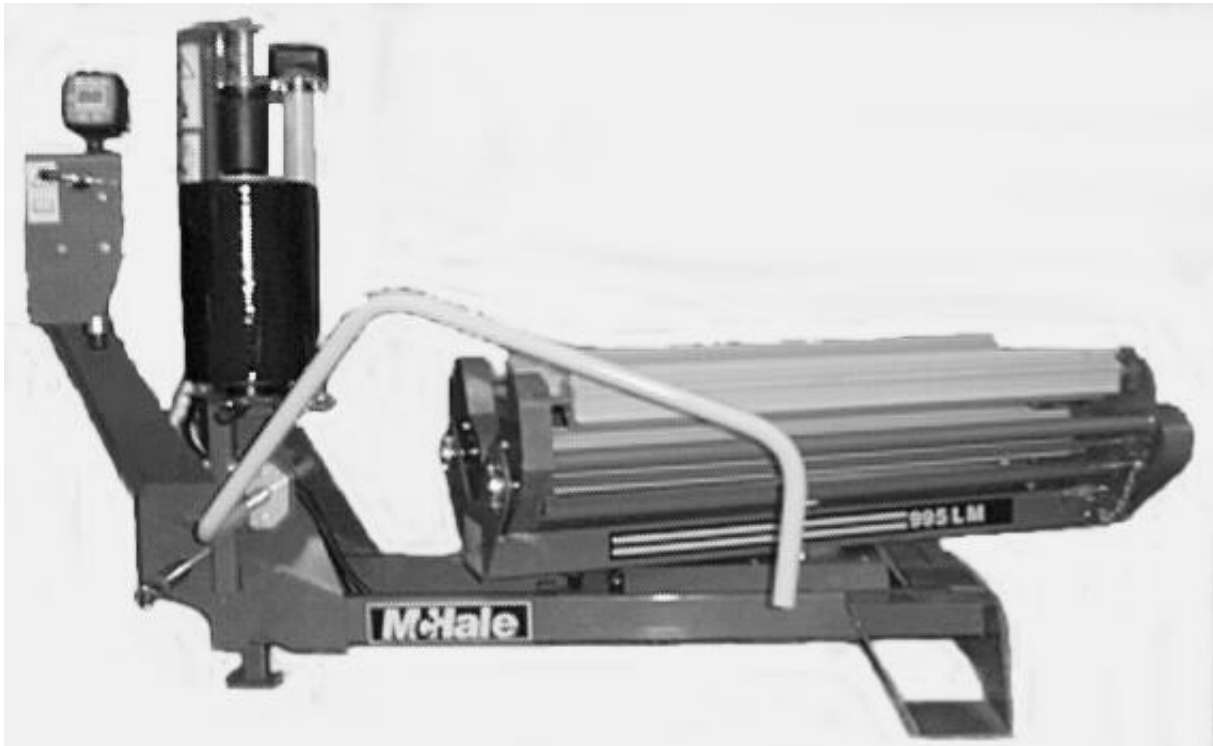


McHale *ENGINEERING LTD.*



995 LM Bale Wrapper Operator Instruction & Spare Parts Manual Issue 5

McHale Engineering Limited,
Castlebar Rd, Ballinrobe
Co. Mayo, Ireland.
Tel: +353 94 9520300
Fax: +353 94 9520356
Email: sales@mchale.net
www.mchale.net



9. Spare parts

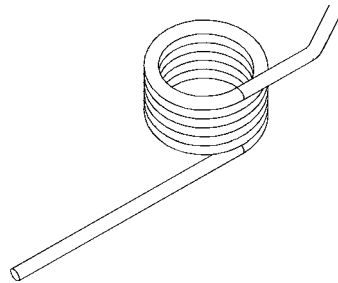
RESTRICTOR
(CVA03007)



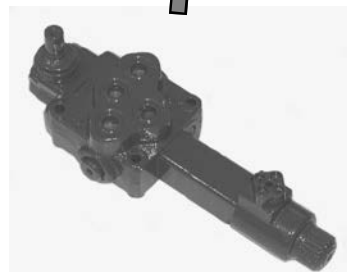
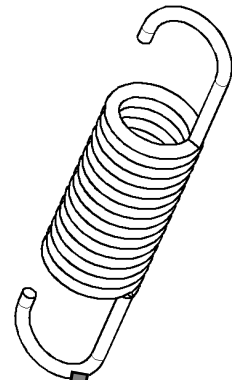
BALE WRAP COMPUTER
(CEL00174)



DISPENSER TORSION
SPRING
(CSG00015)



TENSION SPRING
(CSG00014)



SINGLE BANK VALVE
(CVA00075)



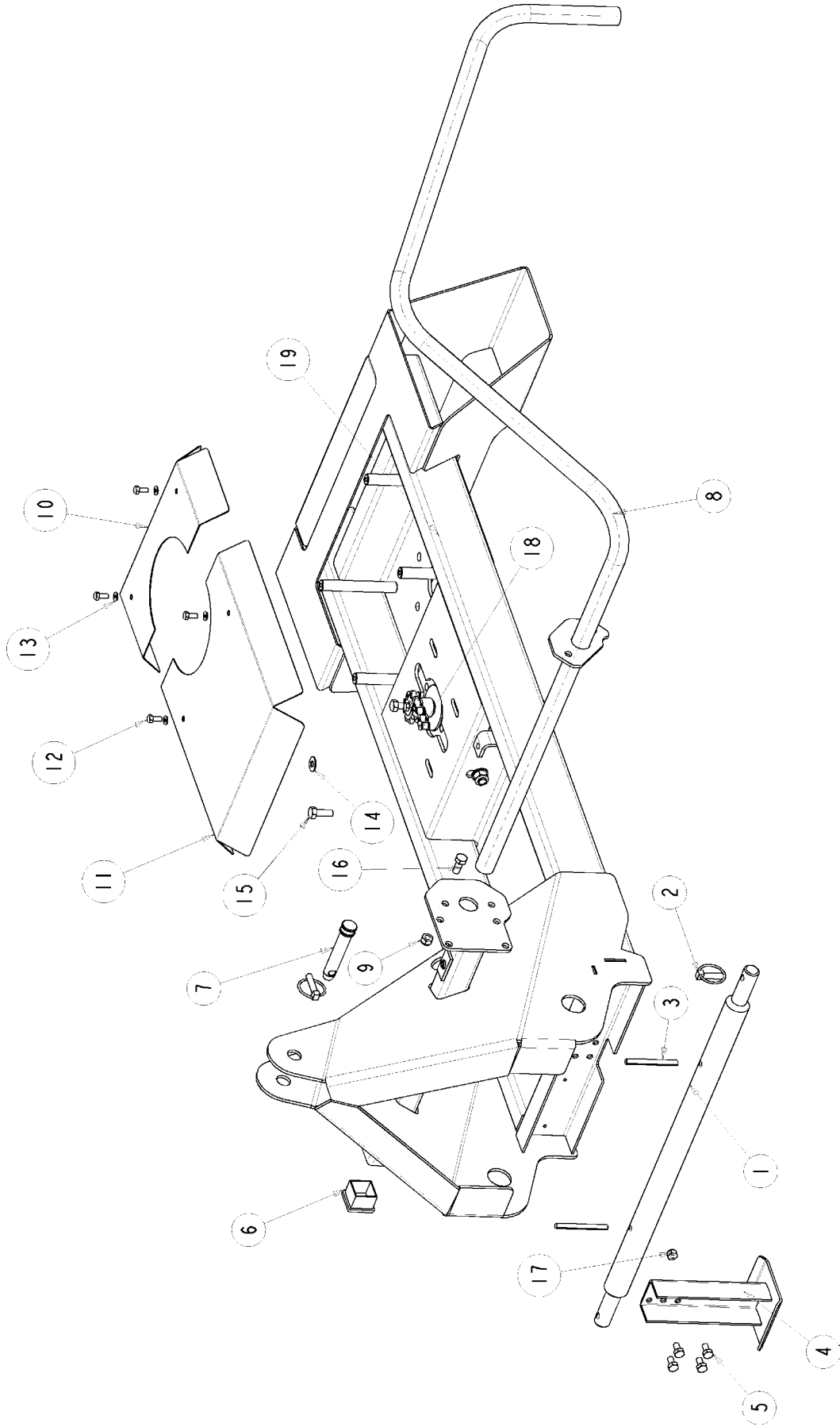
LOOM
(CEL00229)



SENSOR
(CEL00004)

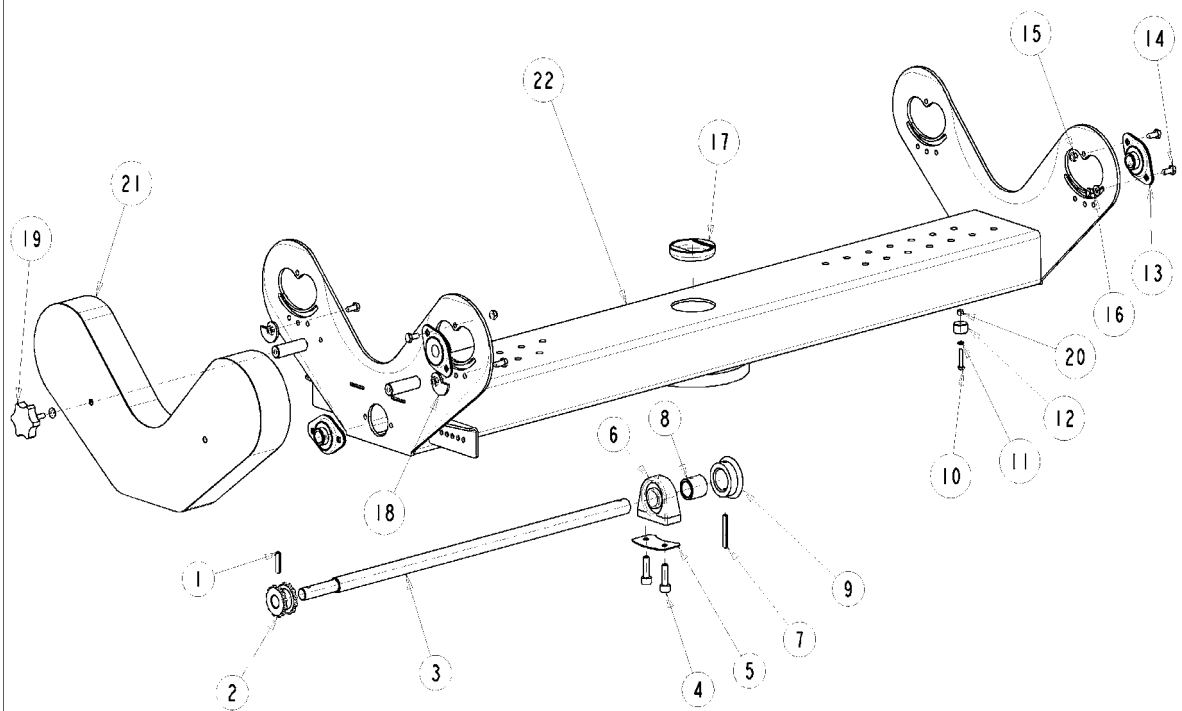


MAGNET
(CEL00017)



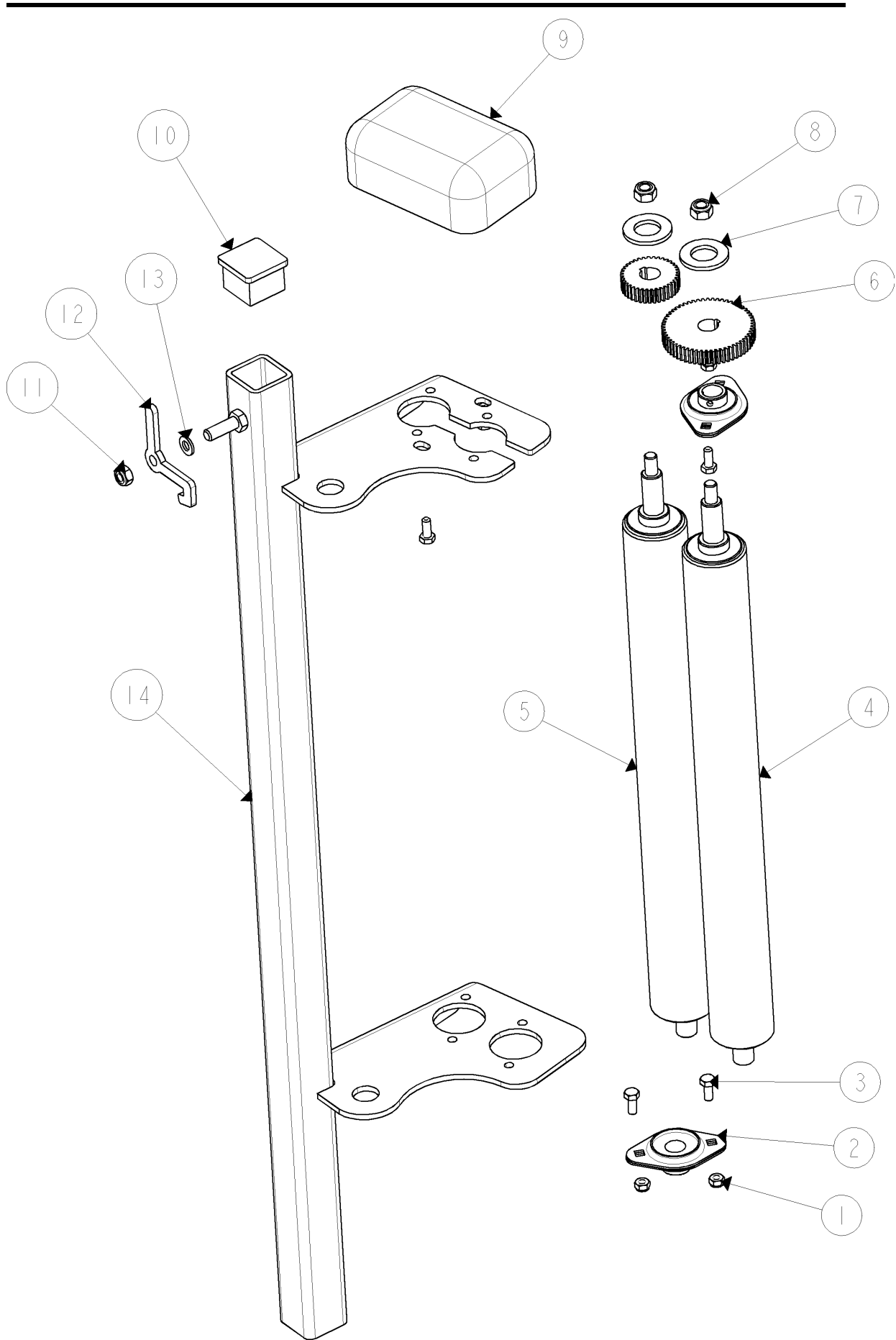
CHASSIS

No.	PART NUMBER	DESCRIPTION	QUANTITY
1	CMH00216	LOWER LINK BAR	1
2	CFA00005	LINCH PIN	3
3	CFA00331	ROLL PIN 10 x 100 Z/P	2
4	ACH00027	FRONT STAND	1
5	CFA00023	M10 x 20 Z/P SETSCREW	4
6	CBC00016	50 x 50 BLANKING CAP	1
7	CMH00015	TOP LINK PIN	1
8	ACH00087	SAFETY BAR	1
9	CFA00124	M12 NYLOC NUT	2
10	CZB02023	GEAR BOX CHAIN GUARD (BACK)	1
11	CZB02022	GEAR BOX CHAIN GUARD (FRONT)	1
12	CFA00052	M8 x 20 Z/P STESCREW	4
13	CFA00147	M8 FLAT WASHER	4
14	CFA00250	12mm SKM WASHER	4
15	CFA00031	M12 x 25 Z/P SETSCREW	4
16	CFA00032	M12 x 30 Z/P SETSCREW	2
17	CFA00123	M10 NYLOC NUT	4
18	CCH00021	57 LINK 3/4" PITCH CHAIN	1
19	ACH00025	995 LM CHASSIS	1



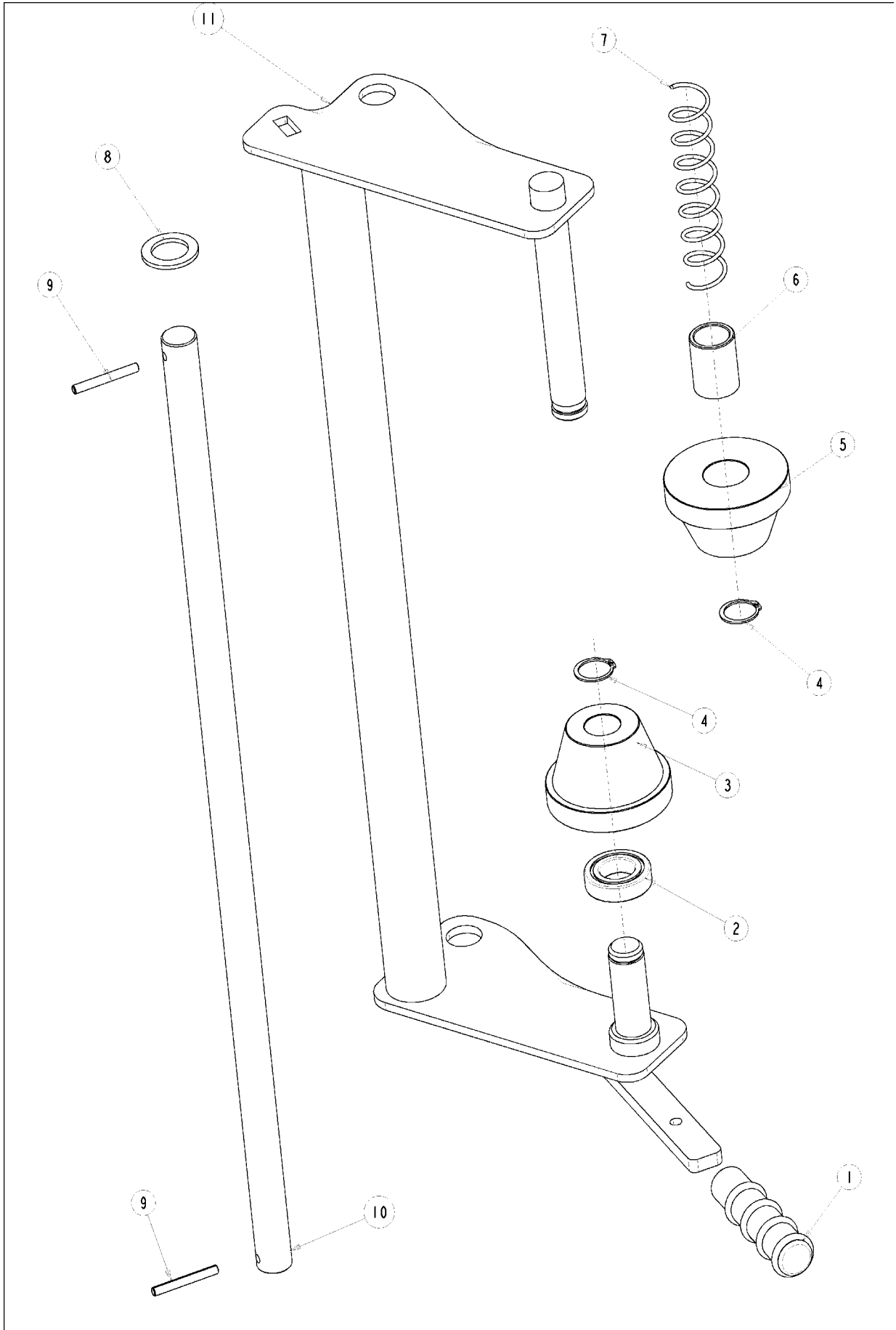
TABLE

No.	PART NUMBER	DESCRIPTION	QUANTITY
1	CFA00354	ROLL PIN 8 x 35 Z/P	1
2	CMH00291	12 TOOTH 1/2" PITCH DOUBLE SPROCKET	1
3	CMH00333	GEAR BOX CROSS SHAFT	1
4	CFA00291	M10 x 20 SETSCREW	2
5	CZB02036	1.5mm SPACER	1
6	CBR00034	SNP25 LEGLESS PILLOW BLOCK BEARING	1
7	CFA00011	ROLL PIN 8 x 60	1
8	CMH00090	COLLAR	1
9	CMH00054	15 TOOTH BEVEL GEAR	1
10	CFA00336	M5 x 30 CSK SETSCREW	1
11	CFA00337	M5 FLAT Z/P WASHER	1
12	CEL00017	MAGNET	1
13	CBR00004	FLANGE BEARING	5
14	CFA00052	M8 x 20 Z/P SETSCREW	12
15	CFA00132	M8 NYLOC NUT	10
16	CFA00147	M8 FLAT WASHER	6
17	CBC00018	BLANKING CAP	1
18	CZD00166	ADJUSTABLE CAM	2
19	CBC00002	HANDWHEEL	2
20	CFA00321	M5 NYLOC NUT	1
21	ART00007	TABLE CHAIN GUARD	1
22	ART00002	995 LM TABLE	1



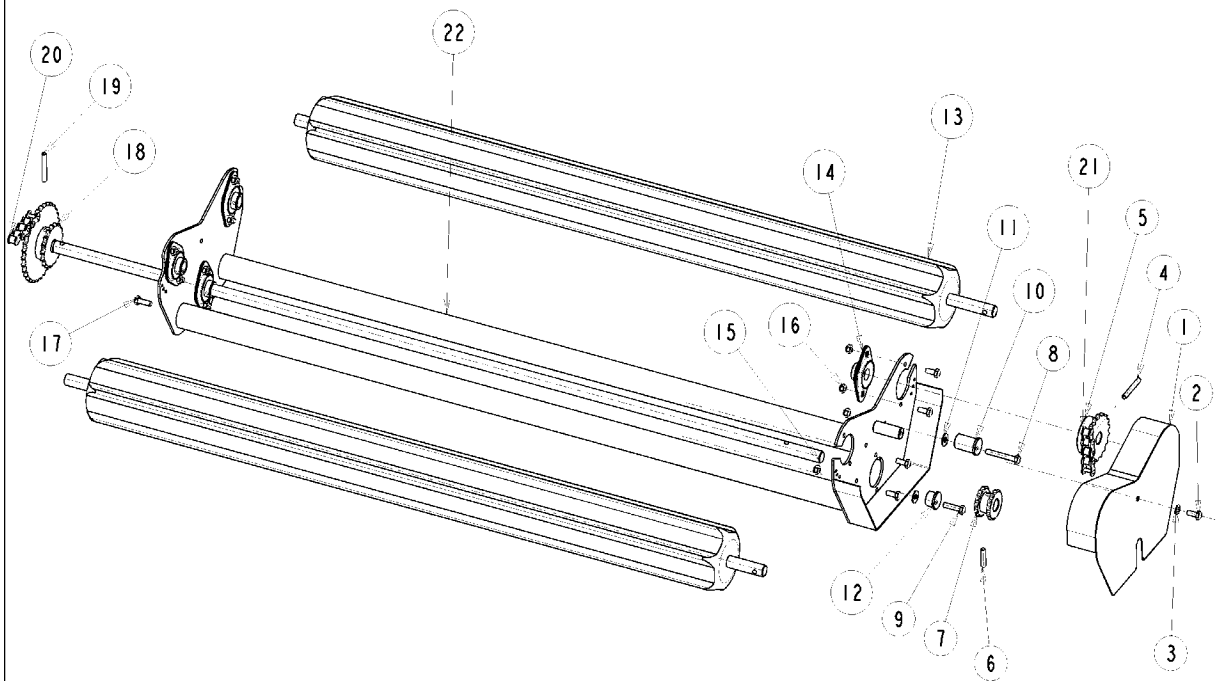
DISPENSER

No.	PART NUMBER	DESCRIPTION	QUANTITY
1	CFA00132	M8 NYLOC NUT	8
2	CBR00004	FLANGE BEARING	4
3	CFA00052	M8 x 20 Z/P SETSCREW	10
4	CMH00336	DISPENSER ROLLER PRIMARY	1
5	CMH00337	DISPENSER ROLLER SECONDARY	1
6	ADP00019	55% DISPENSER GEAR SET	1
7	CFA00139	12mm HEAVY DUTY WASHER	2
8	CFA00124	M12 NYLOC NUT	2
9	CGD00001	DISPENSER GEAR COVER	1
10	CBC00016	50 x 50 BLANKING CAP	1
11	CFA00123	M10 NYLOC NUT	1
12	CZF02164	DISPENSER LATCH	1
13	CFA00201	WASHER 10mm FLAT	1
14	ADP00024	DISPENSER POST	1
15	ADP00023	DISPENSER 995LM COMPLETE	1



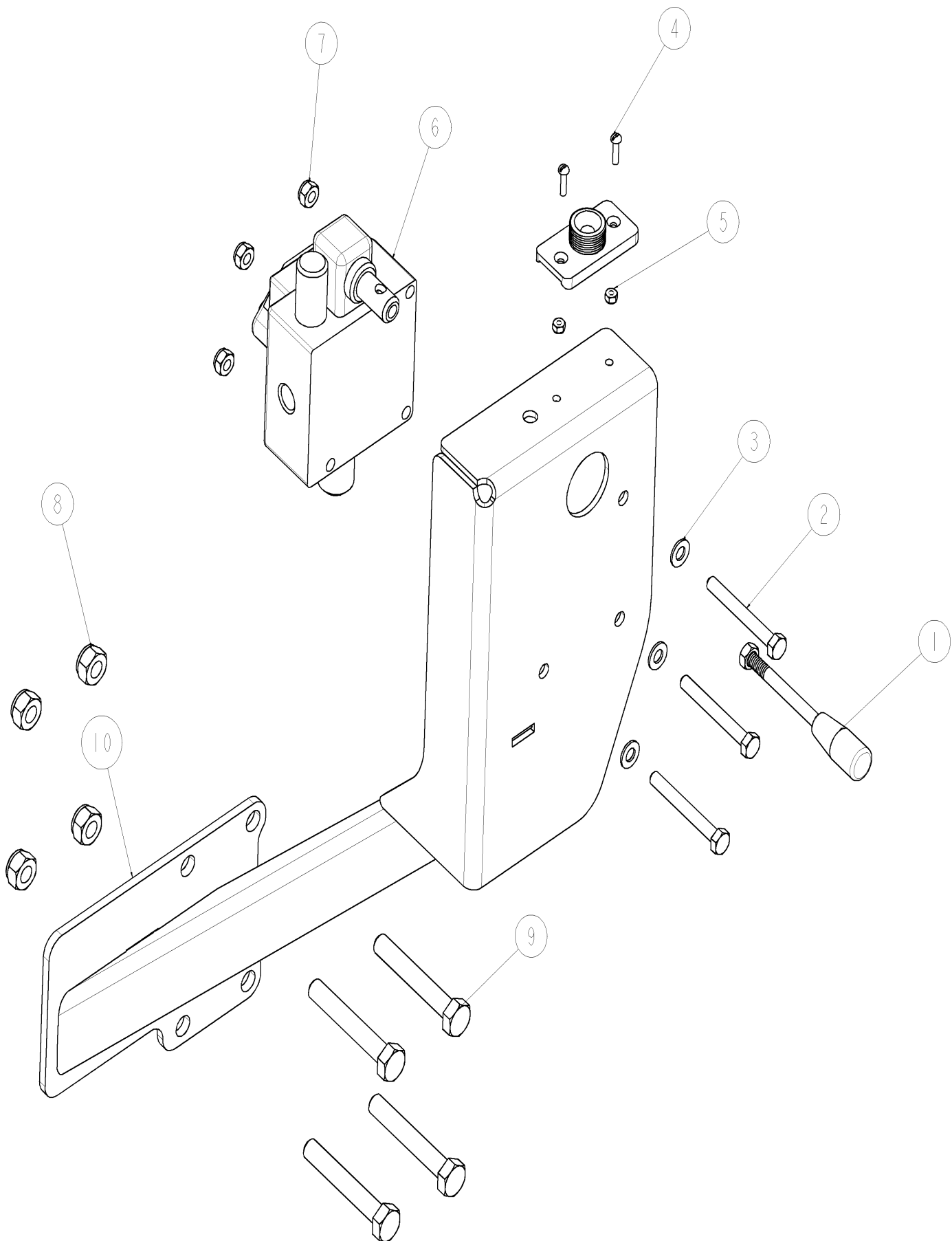
FILM HOLDER

No.	PART NUMBER	DESCRIPTION	QUANTITY
1	CBC00012	DISPENSER HANDLE HANDGRIP	1
2	CBR00009	62052RS BEARING	1
3	CMH00222	COIL ROLLER BOTTOM (BEARING)	1
4	CFA00001	25mm EXTERNAL CIRCLIP	2
5	CMH00223	COIL ROLLER TOP (OILITE BUSHING)	1
6	CBR00016	OILITE BUSHING	1
7	CSG00002	COIL ROLLER COMPRESSION SPRING	1
8	CFA00135	1" WASHER	2
9	CFA00341	ROLL PIN 6 x 60 Z/P	2
10	CMH00338	DISPENSER PIVOT PIN	1
11	ADP00008	FILM HOLDER ASSEMBLY	1



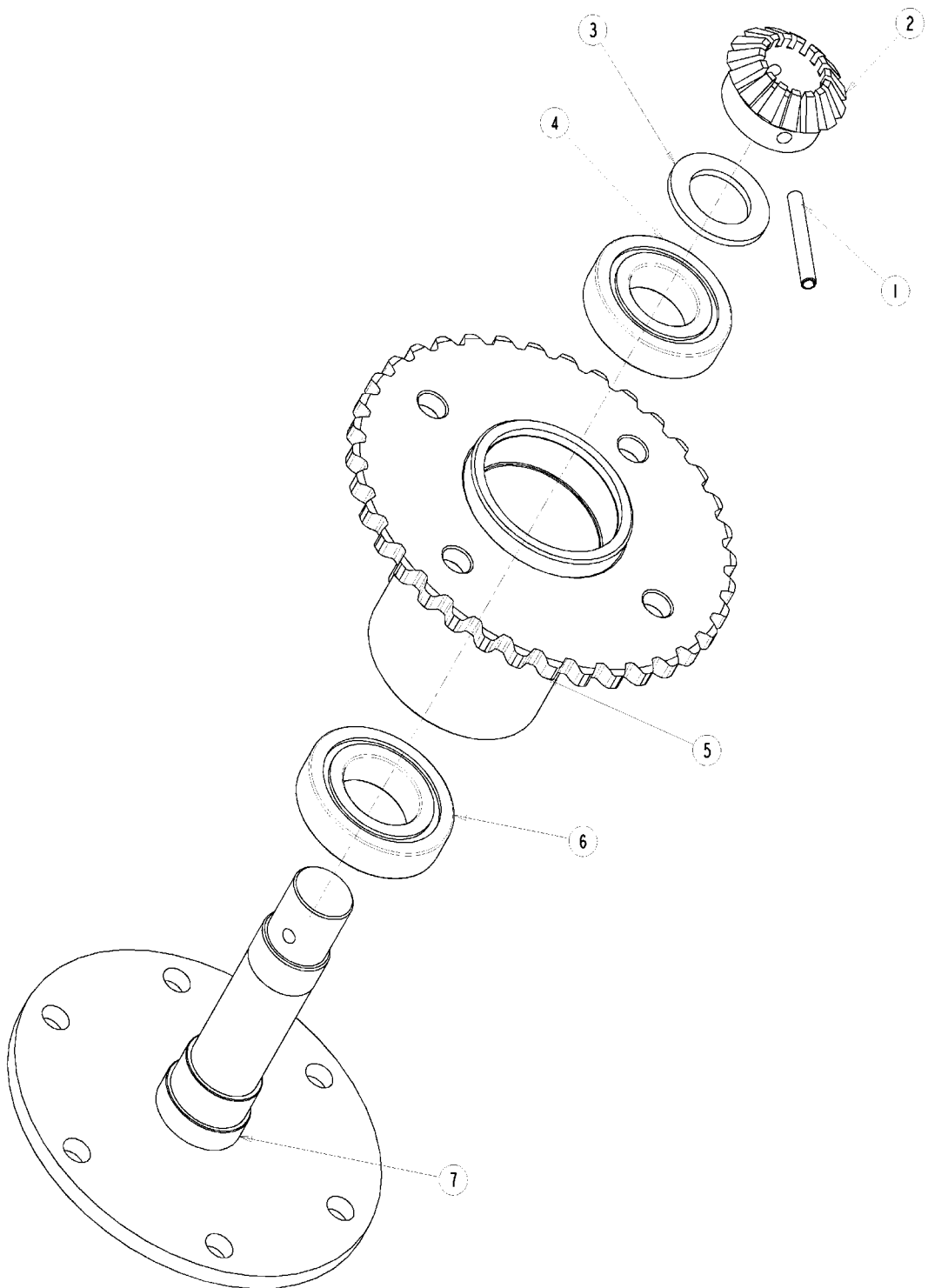
CRADLE

No.	PART NUMBER	DESCRIPTION	QUANTITY
1	ARC00009	CRADLE GUARD	1
2	CFA00052	M8 x 20 Z/P SETSCREW	13
3	CFA00147	WASHER 8mm FLAT	2
4	CFA00334	ROLL PIN 8 x 55	2
5	CMH00083	18 TOOTH 1/2" PITCH SPROCKET	2
6	CFA00333	ROLL PIN 8 x 35	1
7	CMH00291	12 TOOTH 1/2" PITCH DOUBLE SPROCKET	1
8	CFA00340	M8 x 60 Z/P BOLT	1
9	CFA00055	M8 x 35 Z/P BOLT	1
10	CMH00026	LARGE CHAIN TENSIONER	1
11	CFA00251	10mm SKM WASHER	2
12	CMH00027	SMALL CHAIN TENSIONER	1
13	CPL00030	RIBBED PLASTIC ROLLER	2
14	CBR00004	FLANGE BEARING	6
15	CMH00121	CRADLE DRIVE SHAFT	1
16	CFA00132	M8 NYLOC NUTS	16
17	CFA00102	M8 x 25 Z/P SETSCREW	1
18	CMH00356	17-23 1/2" PITCH DOUBLE SPROCKET	2
19	CFA00335	ROLL PIN 8 x 55 Z/P	2
20	CCH00019	59 LINK 1/2" PITCH CHAIN	2
21	CCH00018	39 LINK 1/2" PITCH CHAIN	4
22	ARC00008	995 LM CRADLE	2



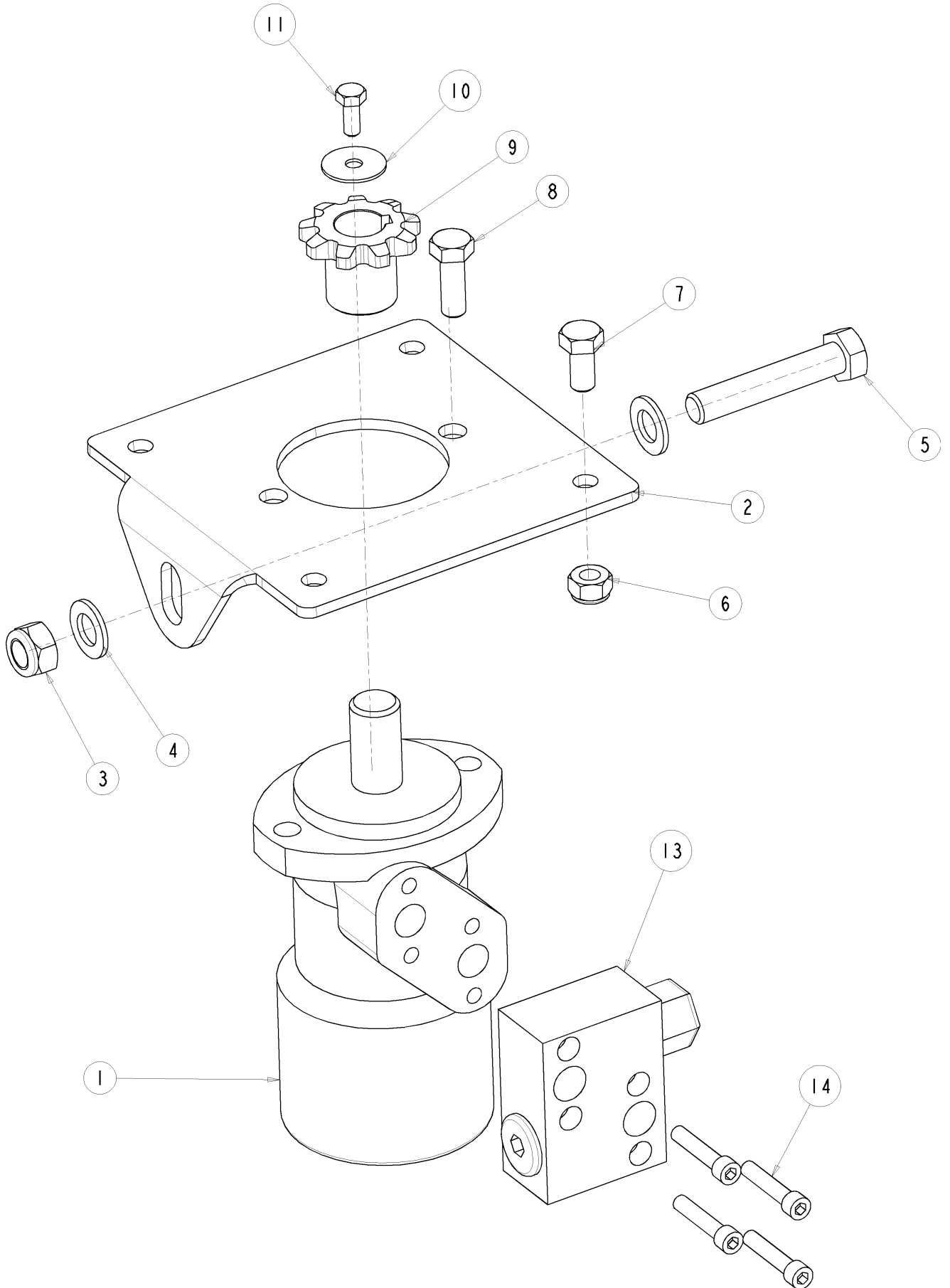
VALVE BRACKET

No.	PART NUMBER	DESCRIPTION	QUANTITY
1	CVA06002	VALVE HANDLE	1
2	CFA00342	M8 x 70 Z/P SETSCREW	3
3	CFA00147	WASHER 8mm FLAT	3
4	CFA00343	M4 x 20 PAN HEAD Z/P SETSCREW	2
5	CFA00300	M4 NYLOC NUT	2
6	CVA00022	VALVE	1
7	CFA00132	M8 NYLOC NUT	3
8	CFA00124	M12 NYLOC NUT	4
9	CFA00330	M12 x 80 Z/P BOLT	4
10	ADP00032	VALVE BRACKET	1



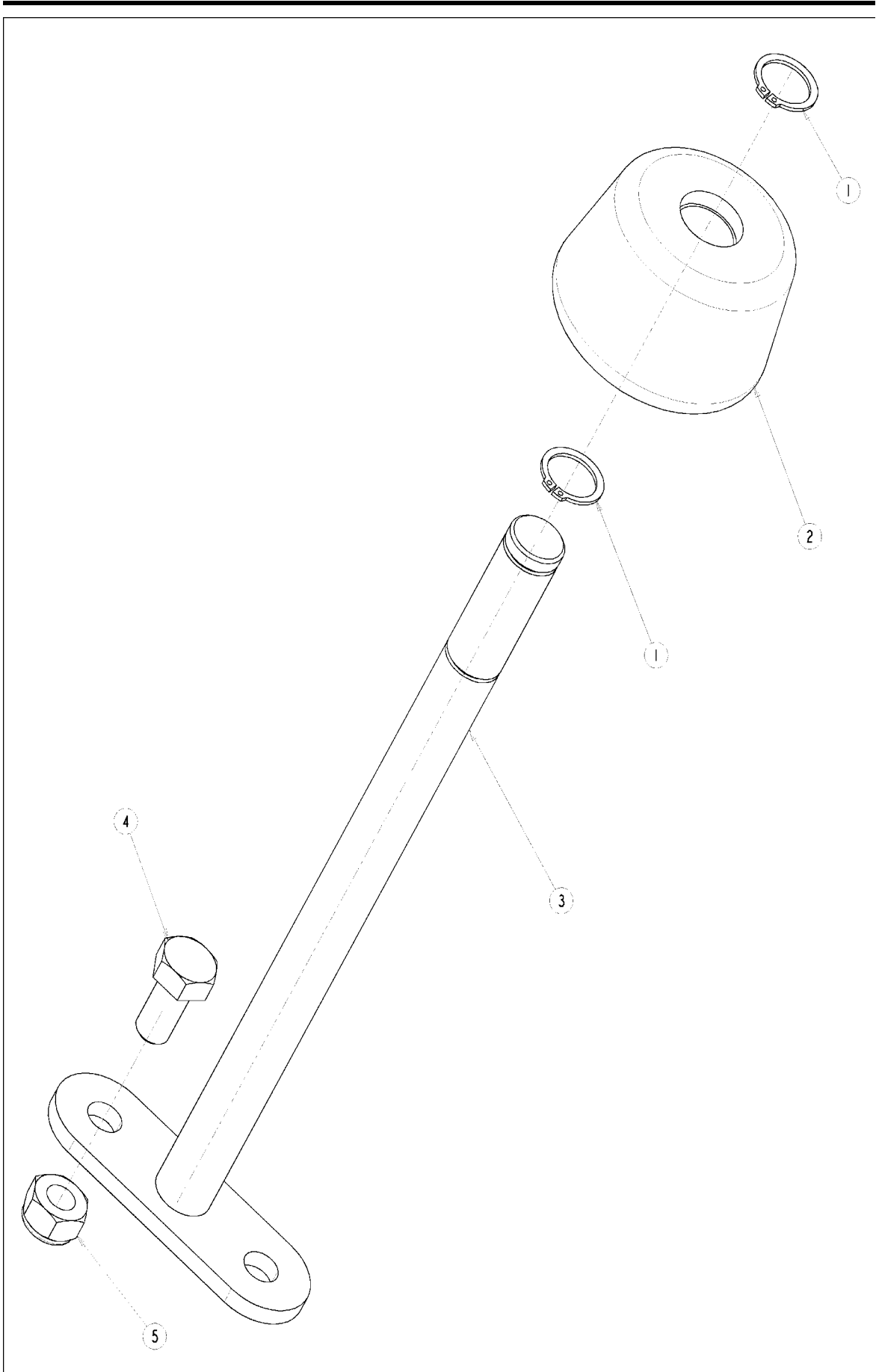
GEARBOX

No.	PART NUMBER	DESCRIPTION	QUANTITY
1	CFA00011	ROLL PIN 8 x 60 S/C	1
2	CMH00054	16 TOOTH MODULE 4 BEVEL GEAR	1
3	CMH00339	SHIM 35 x 50 x 4	1
4	CBR00038	62082RS BEARING	1
5	ART00010	GEARBOX HOUSING	1
6	CBR00037	62092RS BEARING	1
7	ART00011	GEARBOX SHAFT	1
8	ART00001	GEARBOX COMPLETE	1



MOTOR

No.	PART NUMBER	DESCRIPTION	QUANTITY
1	CMT00010	MOTOR	1
2	CZF02153	MOTOR PLATE	1
3	CFA00128	M16 NYLOC NUT	1
4	CFA00140	WASHER 16mm FLAT	2
5	CFA00332	M16 x 85 Z/P BOLT	1
6	CFA00124	M12 NYLOC NUT	6
7	CFA00031	M12 x 25 Z/P SETSCREW	4
8	CFA00033	M12 x 35 Z/P SETSCREW	2
9	CMH00335	9 TOOTH 3/4" PITCH SPROCKET	1
10	CFA00149	MUDWING WASHER 8 x 32	1
11	CFA00359	KEY 8 x 7 x 30	1
12	CFA00052	M8 x 20 Z/P SETSCREW	1
13	CVA00074	VALVE RELIEF C/L OMP 50 BAR	1
14	CFA00362	SETSCREW M8X40 CSK HEX SS	4



BOBBIN

No.	PART NUMBER	DESCRIPTION	QUANTITY
1	CFA00339	20mm EXTERNAL CIRCLIP	2
2	CPL00031	BOBBIN	1
3	ART00009	BOBBIN AXLE	1
4	CFA00031	M12 x 25 Z/P SETSCREW	2
5	CFA00124	M12 NYLOC NUT	2

10. Appendix 1 - Fasteners/fittings torques

It is important that the correct torques for fasteners and fittings are adhered to . Below are tables of recommended torques for these. These are to be used unless torques are otherwise specified.

All torques are in Nm.

Table A. Nuts/Bolts

Bolt/Nut	Grade 8.8	Grade 10.9	Grade 12.9
M5	5.4	8	9.5
M6	9.5	13.5	15
M8	24	34	39
M10	43	64	79
M12	79	112.5	136
M14	127	180	216
M16	195	266	438
M20	353	496	597

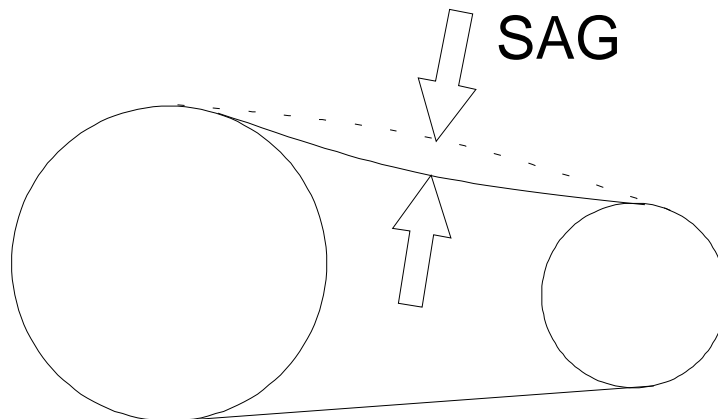
Table B. Hydraulic fittings

Fitting size	Torque
1/4"	24
3/8"	38
1/2"	49
5/8"	60
3/4"	81

11. Appendix 2 - Chain adjustments

It is important for the efficient operation of the wrapper that all drive chains are kept correctly tensioned. The following is a general guide to chain adjustment. For more specific information see the appropriate section under adjustments.

The sag is measured at the midpoint of the chain between the sprockets. Always ensure one side of the chain is tight so that the correct reading is obtained. Even though some drives differ in detail the basic adjustments stay the same.



12. Appendix 3 - Limited Warranty

McHale Engineering of Kilmaine in the County of Mayo (hereinafter called the “company”) warrant, in accordance with the provisions below, to each original purchaser of McHale Engineering Limited new equipment of its own manufacture from an authorised McHale Engineering Limited dealer, that such equipment is, at the time of delivery to such purchaser, free from defects in materials and workmanship which is fit for the purpose for which it is intended and that such equipment will be warranted for a period of one season starting from the date the goods are delivered to the end user, and during this period a limit of 500 hours on the condition precedent that the machine will be used solely for the purpose intended as per the company’s recommendations in the Operating Manual accompanying the machine, provided also that the said machine is serviced with strict accordance of the said operating manual.

CONDITIONS PRECEDENT AND INHERENT TO THE LIMITED WARRANTY:

1. Parts of the machine which are not of our manufacture are not covered by this limited warranty and the Company is not liable for any breach of warranty or contract of any breach of the consumers rights under common law in relation to said parts. These parts are subject to the warranty of the original manufacturer if any and therefore any claim on foot of a breach of this warranty (if any) or breach of contract or breach of the consumers rights under common law shall be taken up by the consumer with the manufacturer concerned.

2. Any claim in respect of said parts must be submitted and processed in the exact manner in which a claim in respect of the machine manufactured by the company would be submitted and handled in such circumstances will be paid in accordance with warranty agreement of the individual independent manufacturer concerned in as far as the claim is admitted or proved as to the satisfaction of the individual independent manufacturer.

3. This Limited warranty shall cease and become void should the equipment or any part thereof be used for any purpose other than that recommended in the operating manual or for any other use for which it is not intended by the company. Furthermore this Limited Warranty shall cease and become void if the equipment or any part thereof shall be misused, neglected or damaged or let out on hire to a third party by the user or if any parts other than those manufactured by the company have been incorporated into the equipment or any part thereof without the company’s prior written consent or if the equipment or any part thereof is itself incorporated into any other equipment which is manufactured by any party other than the company. The company, its servants and agents shall have the sole and exclusive right to determine whether the equipment or any part thereof has been abused in any manner aforementioned

4. The company shall not be responsible or liable for any damage to the equipment or any part thereof caused in transit or when handled by any independent carrier or haulier.

5. The company shall not be responsible or liable for any damages for loss of use, damages or inconvenience or loss of earnings however resulting whether within the period aforementioned covered by this Limited Warranty or otherwise for any damages caused by the delay of any independent party in the delivery, haulage or carriage of the equipment or any part thereof.

6. The company shall not be held responsible or liable in any way whatsoever for any loss of earnings whether real or unascertained caused by a breakdown of the equipment or any part thereof and the company shall not be held responsible for the cost of replacement or the cost of labour whether skilled or otherwise other than those originally agreed or where not so agreed then the company shall not be liable to such costs as they shall agree to be liable for in all circumstances in each individual circumstance.

7. The company shall not be responsible or liable for any injuries caused by the equipment or any part thereof whether directly or indirectly through the negligence of any other party other than the company whether the such injury is occasioned by the owner of the equipment or its user or by any third party whether authorised to use the equipment by the company or not.

8. The company shall not be responsible or liable for any costs howsoever occasioned in the removal or replacement of any component part of the equipment or any part thereof.

CUSTOMER COVENANTS AND CONDITIONS:

The customer shall be liable for the following costs and expenses exclusively:

1. Normal maintenance including adjustments as is within the knowledge and experience of the customer and which is customary in the business in which the company and the customer is engaged and such maintenance including adjustments as is required from time to time to keep the equipment in good repair and merchantable quality so that the equipment may perform the use for which it was intended.

2. Transportation of any kind of any McHale Engineering Limited product to and from the place the warranty work is performed.

3. Dealer travel time to and from the equipment or to deliver and return the equipment from the workshop for repair.

4. Dealer travelling costs and any other costs incidental to such repairs and deliveries.

Any dispute as to this Limited Warranty whether as to the conditions precedent, inherent or subsequent or any dispute regarding normal wear and tear or normal wearing items or any dispute as to the application or jurisdiction of this Limited Warranty or any other dispute as to any claim made on foot of this Limited Warranty shall be determined by statute and common law for the time being in the Republic of Ireland and if the dispute shall not be determined by such reference then same shall be determined on application to the relevant court in the Republic of Ireland.

This Limited Warranty will not apply to any product which is altered or modified without the prior written consent of the company and/or repaired by anyone other than Authorised Service Distributors or Authorised Service Dealers without the prior written consent of the company.

CONDITIONS SUBSEQUENT TO THE LIMITED WARRANTY

-That this Limited Warranty shall not be assigned or transferred to anyone without the prior written consent of the company.

- The warranty card has been correctly completed by the dealer and purchaser / customer with their names and addresses, dated signed and returned to the appropriate address as given on the warranty card.

- The claim form sent to McHale Engineering Limited has been correctly completed stating and including all the information as required thereon.

- The judgement of the company in all cases of claims under this Limited Warranty shall be final and conclusive and the purchaser agrees to accept its decisions on all questions as to defect and exchange of any part or parts.

- That all safety instructions in the Operators Manual shall be followed, all safety guards shall be regularly inspected and replaced where necessary.

No warranty is given on second-hand products and none is to be implied. Persons dealing in the company's products are in no way legal agents of the company and have no right or authority to assume any obligation on their behalf, express, implied, or to bind them in any way.

The company reserves the right to incorporate any change in design or materials in its products with obligation to make such changes on units previously manufactured and such changes shall be made in a good workmanlike manner, free from defects and of a merchantable quality to be used for the purpose for which they are intended.

This Limited Warranty does not cover the descriptions of equipment published in any document by the company.