

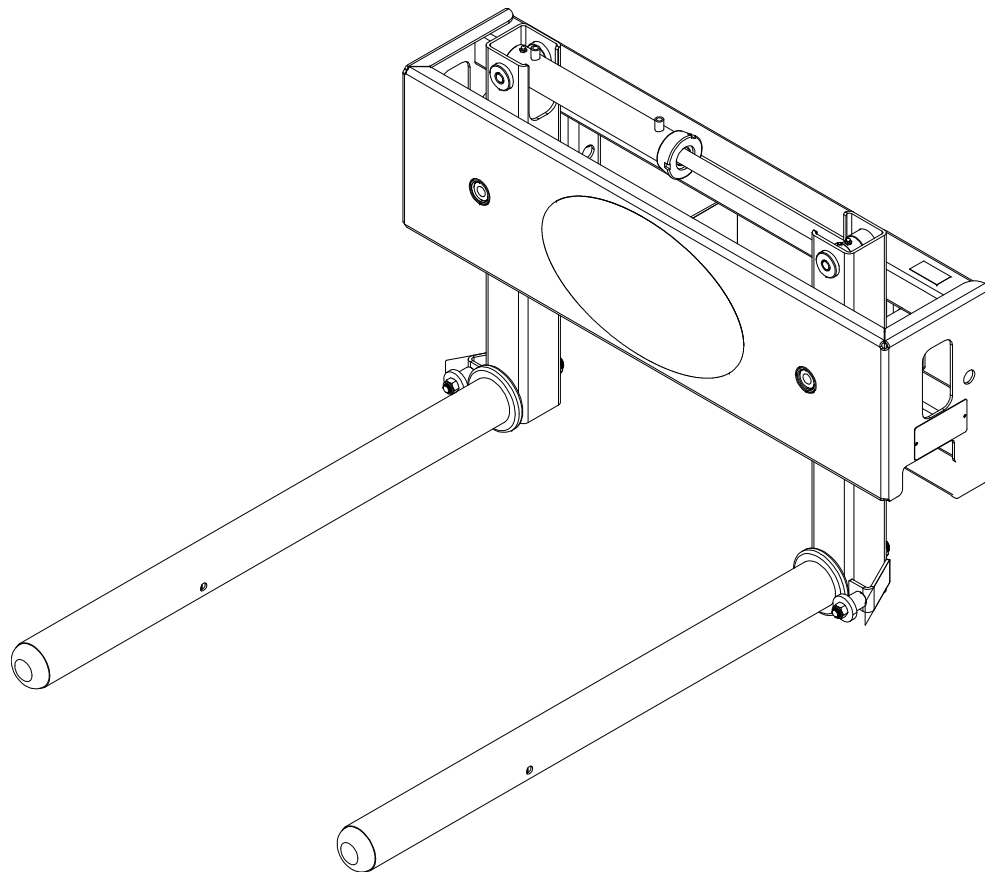
McHale 691BH



QUALITY

I.S. EN ISO 9001:2015

NSAI Certified



691BH Spare Parts Book

McHale,
Ballinrobe,
Co. Mayo, Ireland.

Tel: +353 94 9520300

Fax: +353 94 9520356

Email: sales@mchale.net

Website: www.mchale.net

This page is intentionally left blank

Introduction

The **McHale 691BH** which you have purchased has been developed through years of constant research and development. Given proper care and attention the **691BH** will give years of reliable and dependable performance. However it is important that the operators manual is read and fully understood to achieve this, **before** the machine is operated. As part of this philosophy it is vital to use only **genuine McHale** replacement parts, as these are manufactured to the same high standard as the original machine. These may be obtained through your **McHale** dealer.

If any part of this manual is not fully understood, please contact your **McHale** dealer who will be able to answer any questions or queries that you might have. It is important to quote the machine serial number when requiring spare parts or technical assistance. Space is provided below to record the machine details:

Serial number:	
Year of manufacture:	
Date of delivery:	

If you require further copies of this spare parts manual please
quote part number CLT00350

Note: Parts described as left and right are done so according to the direction that the machine normally travels in.

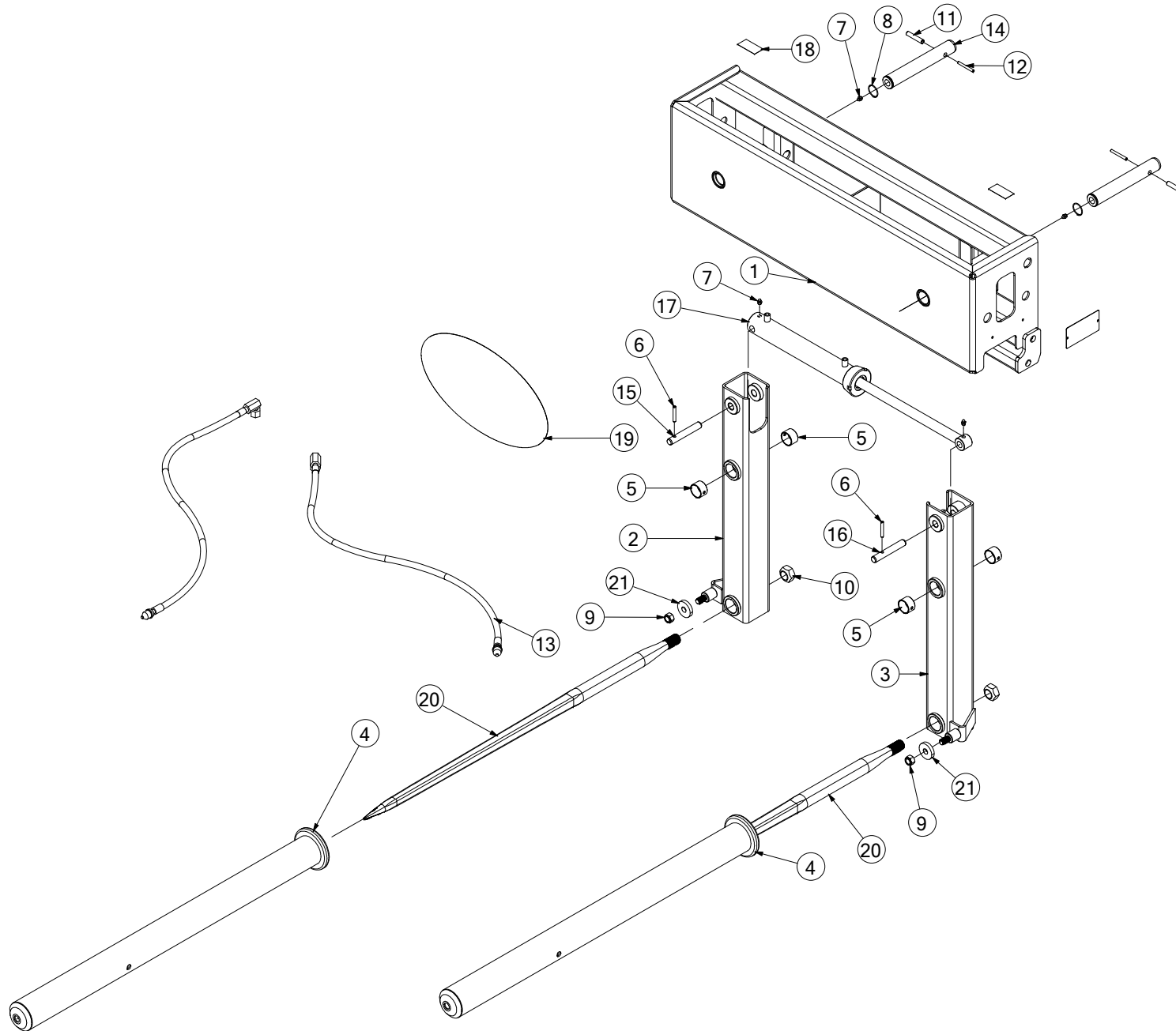
Note: Due to a policy of continuous product development and improvement *McHale Engineering* reserve the right to alter machine specifications without prior notice.

Contents

Section	Page	Document	Section	Page	Document
691BH					
Chassis (485)	6	SPD00485			
Decals (888)	8	SPD00888			

This page is intentionally left blank

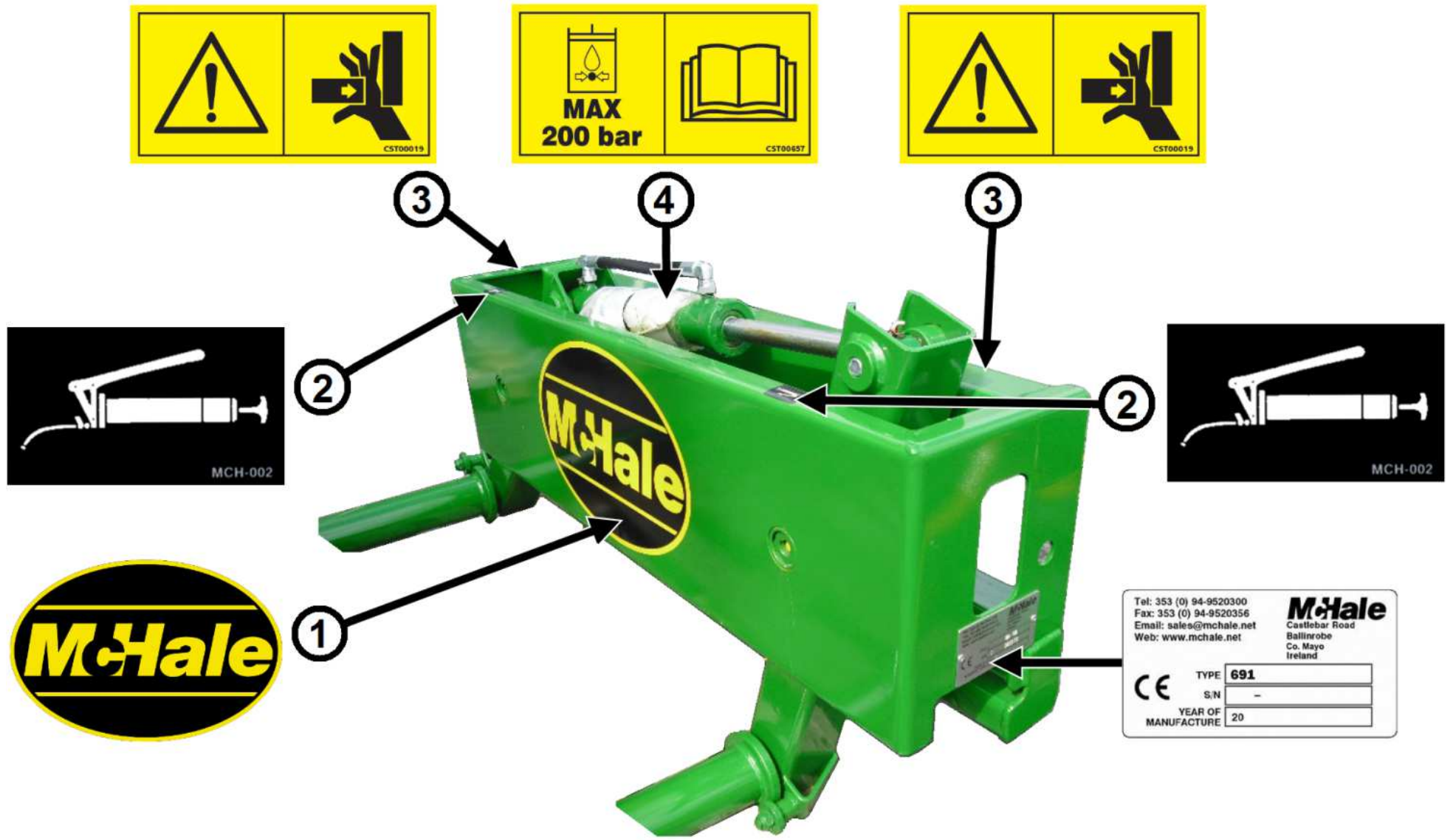
Chassis (485)



No.	Part No	Description	Qty
1	ABH00001	BH FRAME	1
1	ABH00005	KIT FRAME REPAIR LEG PIN & BUSH	2
<i>REPAIR-KIT INCLUDES ITEMS 5, 7, 8, 11, 12, 14 + MAIN WELD-IN PIVOT-BUSHES FOR ITEMS 1, 2 & 3 (ONE KIT PER SIDE)</i>			
2	ABH00002	BH ARM RH	1
<i>INCLUDES 2x ITEM 5</i>			
3	ABH00003	BH ARM LH	1
<i>INCLUDES 2x ITEM 5</i>			
4	ABH00004	BALE HANDLER TINE ROLLER	2
5	CBR00015	BEARING GLACIER 1 1/2" X 1" DX	4
6	CFA00010	ROLL PIN 8X50 Z/P	2
7	CFA00111	GREASE NIPPLE M10X1.5 STRAIGHT	4
8	CFA00112	SNAP RING 1 1/2"	2
9	CFA00128	NUT M16 NYLOC	2
10	CFA00211	NUT TINE M28 STN FORK SHW	2
11	CFA00504	ROLL PIN 12X60 ZP	2
12	CFA00642	ROLL PIN M7X60	2
13	CHY02910	HYDAULIC HOSE KIT BH	1
<i>INCLUDES BOTH HOSE ASSEMBLIES (REPLACES CHY00019)</i>			
14	CMH00143	PIN 38X257&M10 THREAD	2
15	CMH00155	PIN 19X122&8MM C.HOLE@21	1
16	CMH00190	PIN 19X122&8MM C.HOLE @35	1
17	CRA00026	RAM BH RD	1
17a	CRA10026	RAM ROD ROUND BH	1
17b	CSE00026	SEAL KIT RAM BH	1
18	CST00019	DECAL CRUSHED HAND MCH-005	2
19	CST00091	DECAL MCHALE SQ BH	1
20	CTN00002	TINE 48" STN FORK SHW CON2	2
21	CZH00128	10MM L BALE HANDLER	2

No.	Part No	Description	Qty
-----	---------	-------------	-----

Decals (888)



No.	Part No	Description	Qty
1	CST00091	DECAL MCHALE SQ BH	1
2	CST00060	DECAL GREASE GUN MCH 004	2
3	CST00019	DECAL CRUSHED HAND MCH-005	2
4	CST00657	DECAL MAX OIL PRESSURE	1

No.	Part No	Description	Qty
-----	---------	-------------	-----