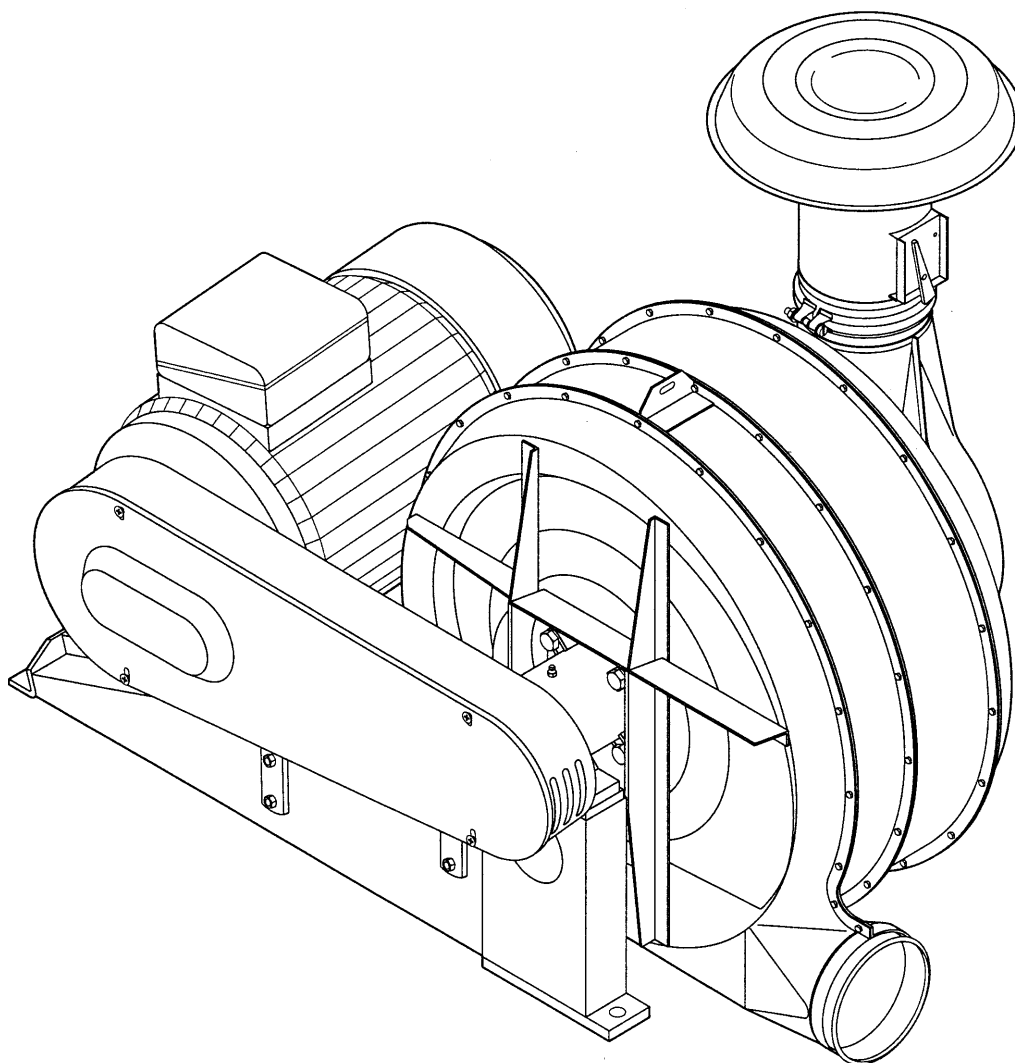


TRL 500 - Industry

High pressure blower



Spare parts list

TRL 500

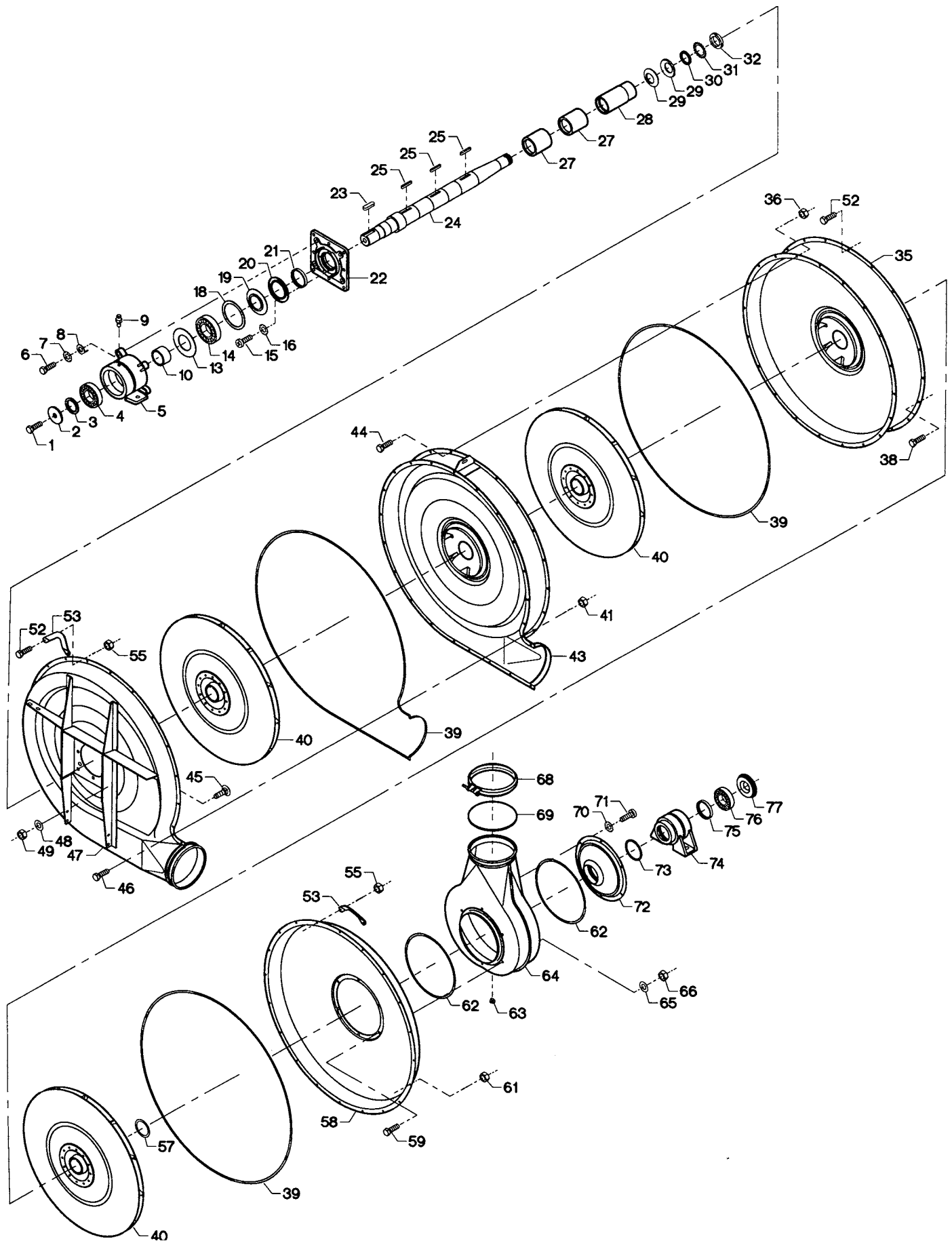


Fig.	Part no.	Pieces	Notes
1	100 304 044	1	Set screw M16 x 30 mm
2	121 121 079	1	
3	121 130 228	1	
4	100 401 043	1	Ball bearing # 6309 Z C3
5	121 130 264	1	
6	100 304 033	4	Set screw M12 x 35 mm
7	100 332 005	4	Star washer M12
8	121 140 024	4	
9	100 421 000	1	Grease nipple M6
10	121 130 241	1	
13	100 323 344	1	99 x 109 x 0.6 mm
14	100 401 042	1	Ball bearing # 6310 Z C3
15	100 321 010	4	Torx screw M5 x 12 mm
16	100 332 001	4	Star washer M5
18	100 323 343	1	Spacer ZW 90 x 110 mm
19	121 140 019	1	
20	121 140 017	1	
21	121 150 243	1	
22	121 140 176	1	
23	100 405 005	1	Key 14 x 9 x 40 mm, DS 96
24	121 130 223	1	
Cpl.	121 130 251	1	Complete incl. items 1 - 24
25	100 405 013	3	Key 8 x 7 x 50 mm
27	121 150 237	2	
28	121 150 238	1	
29	100 323 144	2	Disc washer 70 x 40.5 x 4 mm
30	121 130 226	1	
31	100 407 025	1	Star washer MB 8
32	100 323 064	1	Ring nut KM 8
35	121 130 253	1	
36	100 316 075	20	Flange nut M6
38	100 323 398	18	Flange screw M6 x 16 mm
39	121 100 303	-	Sealing strip. Indicate length 8.3 m when ordering
40	121 150 166	3	
41	100 316 075	21	Flange nut M6
43	121 120 385	1	
44	100 323 398	20	Flange screw M6 x 16 mm
45	100 311 017	8	Coach bolt M8 x 25 mm
46	100 323 398	21	Flange screw M6 x 16 mm
47	121 120 384	1	
48	100 331 005	8	Flat washer M8
49	100 316 003	8	Lock nut M8
52	100 306 001	4	Set screw M6 x 20 mm
53	121 150 257	2	
55	100 316 075	4	Flange nut M6
57	121 150 182	8	Flat washer
58	121 120 386	1	
59	100 306 001	6	Set screw M6 x 20 mm
60	100 332 002	18	Star washer M6
61	100 316 075	18	Flange nut M6
62	100 203 030	-	Sealing strip 2 x 6 mm. Indicate length 1.6 m when ordering
63	121 130 131	1	
64	121 130 255	1	
65	100 331 004	6	Flat washer M6
66	100 316 002	6	Lock nut M6
68	122 000 857	1	Clamp with screw OK160
69	110 101 105	1	
70	100 332 002	6	Star washer M6
71	100 308 018	6	Set screw M6 x 12 mm
72	121 130 257	1	
73	100 413 066	1	O-ring 84.2 x 5.7 mm
74	121 134 376	1	
75	121 150 243	1	
76	100 401 072	1	Ball bearing # 6208 - 2RS1/C3HT51
77	121 130 042	1	
Cpl.	121 130 258	1	Complete incl. items 1 - 77

TRL 500

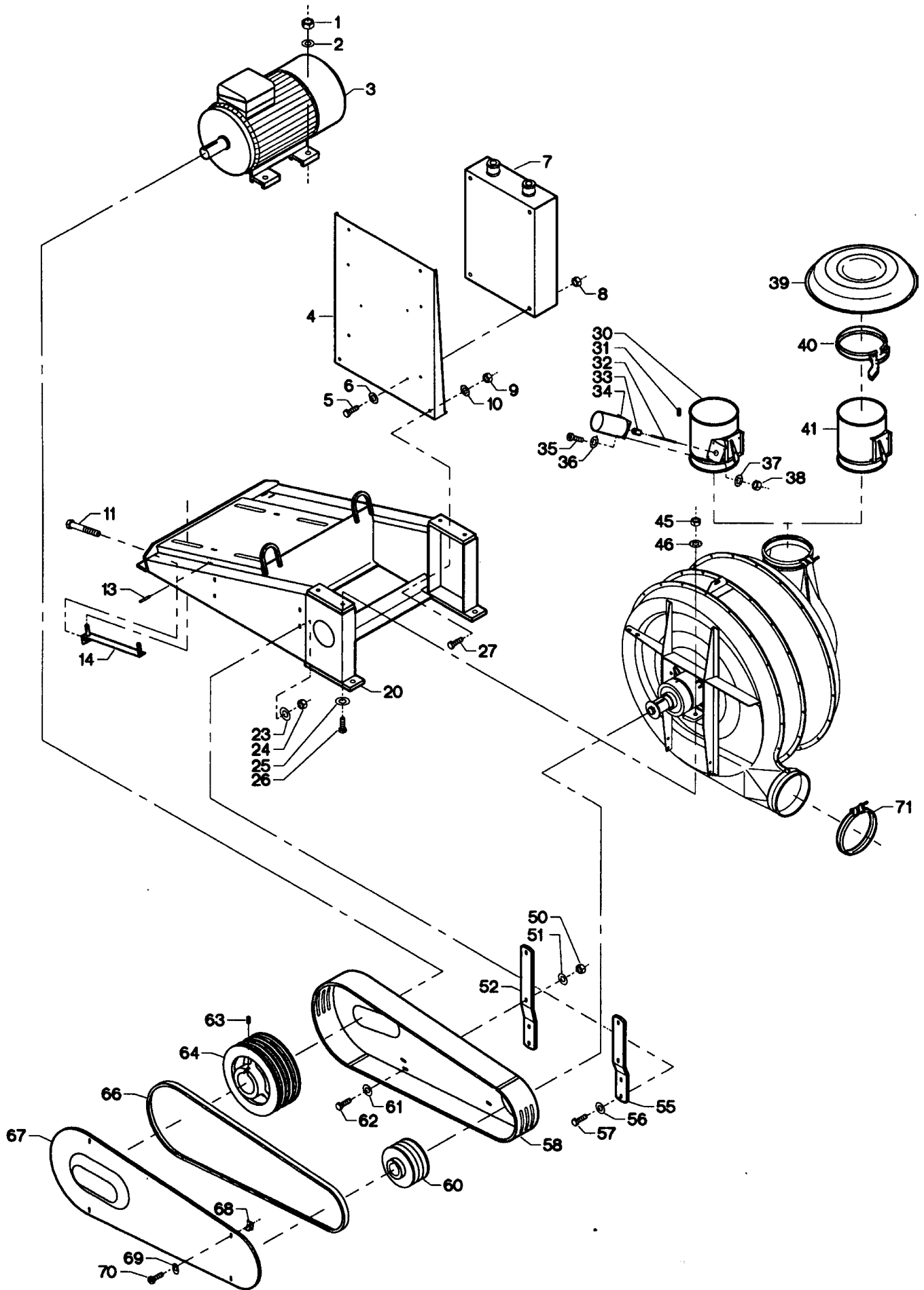


Fig.	Part no.	Pieces	Notes
1	100 315 020	4	Nut M16
2	100 332 006	4	Star washer M16
3	100 501 058	1	Motor, 200LX2-37 kW-B#-3 x 400 V-50 Hz-2940 rpm
	100 551 031	1	Motor, 326TS-50 HP-460 V-60 Hz-3525 rpm-M4114T
	100 551 021	1	Motor, 326TS-50 HP-575 V-60 Hz-3525 rpm-M4114T5
4	121 133 105	1	
5	100 306 015	3	Set screw M8 x 20 mm
	100 308 002	1	Set screw M8 x 25 mm
6	100 332 003	4	Star washer M8
7	100 503 135	1	Motor protection starter box 3x400 V-50 Hz
8	100 315 012	4	Nut M8
9	100 315 013	4	Nut M10
10	100 332 004	4	Star washer M10
11	121 133 011	2	
13	100 333 018	2	Slottet spring pin $\varnothing 6 \times 32$ mm
14	121 133 012	2	
20	121 133 098	1	
23	100 331 005	4	Washer M8
24	100 315 012	4	Nut M8
25	100 331 007	4	Flat washer M12
26	100 304 033	4	Set screw M12 x 35 mm
27	100 308 004	2	Set screw M10 x 20 mm
30	121 133 101	1	
31	100 322 000	1	Stop screw M6 x 6 mm
32	121 133 064	1	
33	121 133 095	1	
34	100 503 138	1	Electro-magnet UGZ 70.20-25K-24IG 380 V
35	100 321 010	4	Torx screw M5 x 12 mm
36	100 331 003	4	Flat washer M5
37	100 332 001	4	Star washer M5
38	100 315 005	4	Nut M5
39	121 123 148	1	
40	122 000 825	1	Quick release clamp OKR160
41	121 130 259	1	
45	100 315 016	4	Nut M12
46	100 332 005	4	Star washer M12
50	100 315 012	4	Nut M8
51	100 331 005	4	Washer M8
52	121 133 107	1	
55	121 133 109	1	
56	100 331 005	4	Washer M8
57	100 308 002	4	Set screw M8 x 25 mm
58	121 133 111	1	
60	121 133 034	1	SPB 160/3, bore $\varnothing 45$ mm
61	100 331 005	4	Washer M8
62	100 306 015	4	Set screw M8 x 20 mm
63	100 322 004	1	Stop screw M10 x 10 mm
64	121 133 039	1	SPB 240/3, bore $\varnothing 55$ mm
	121 133 078	1	SPB 200/3, bore 1 7/8"
66	100 403 246	3	Raw edge moulded notch v-belt SPB 2000
67	121 133 113	1	
68	121 000 402	4	
69	121 000 686	4	
70	100 321 010	4	Torx screw M5 x 12 mm
71	122 000 857	1	Bolt clamp OK160

Kongskilde Industries A/S

Tel. +45 33 68 35 00

mail@kongskilde-industries.com

www.kongskilde-industries.com