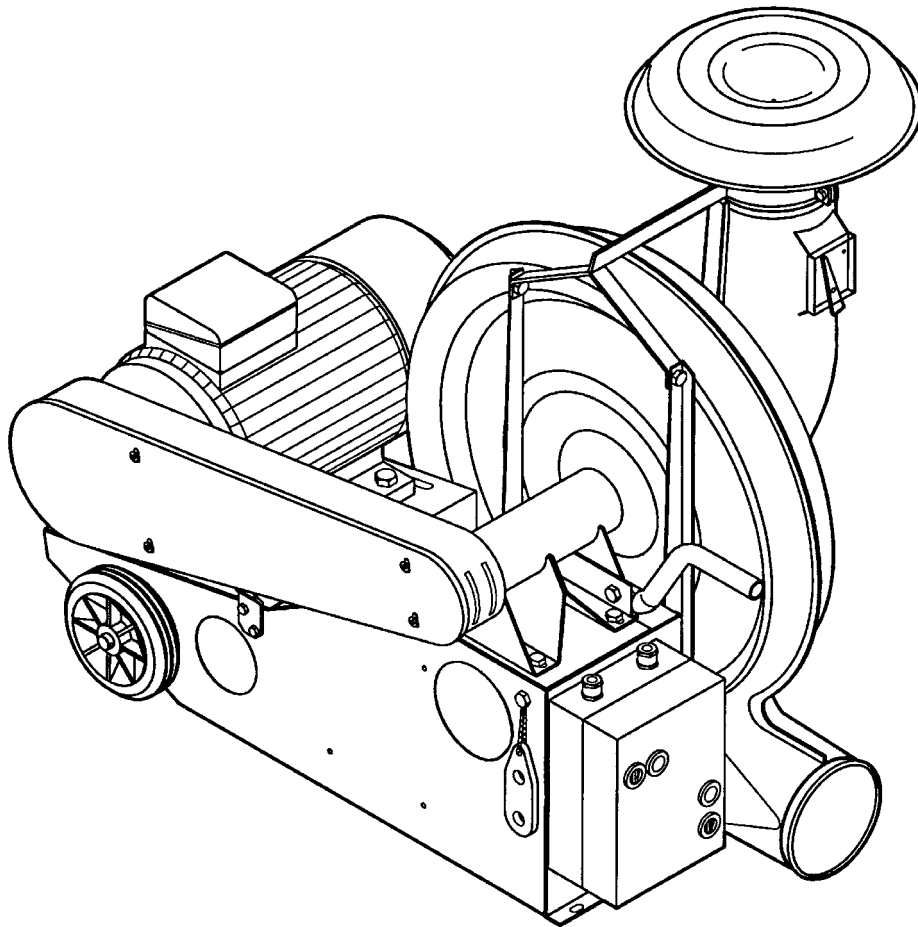


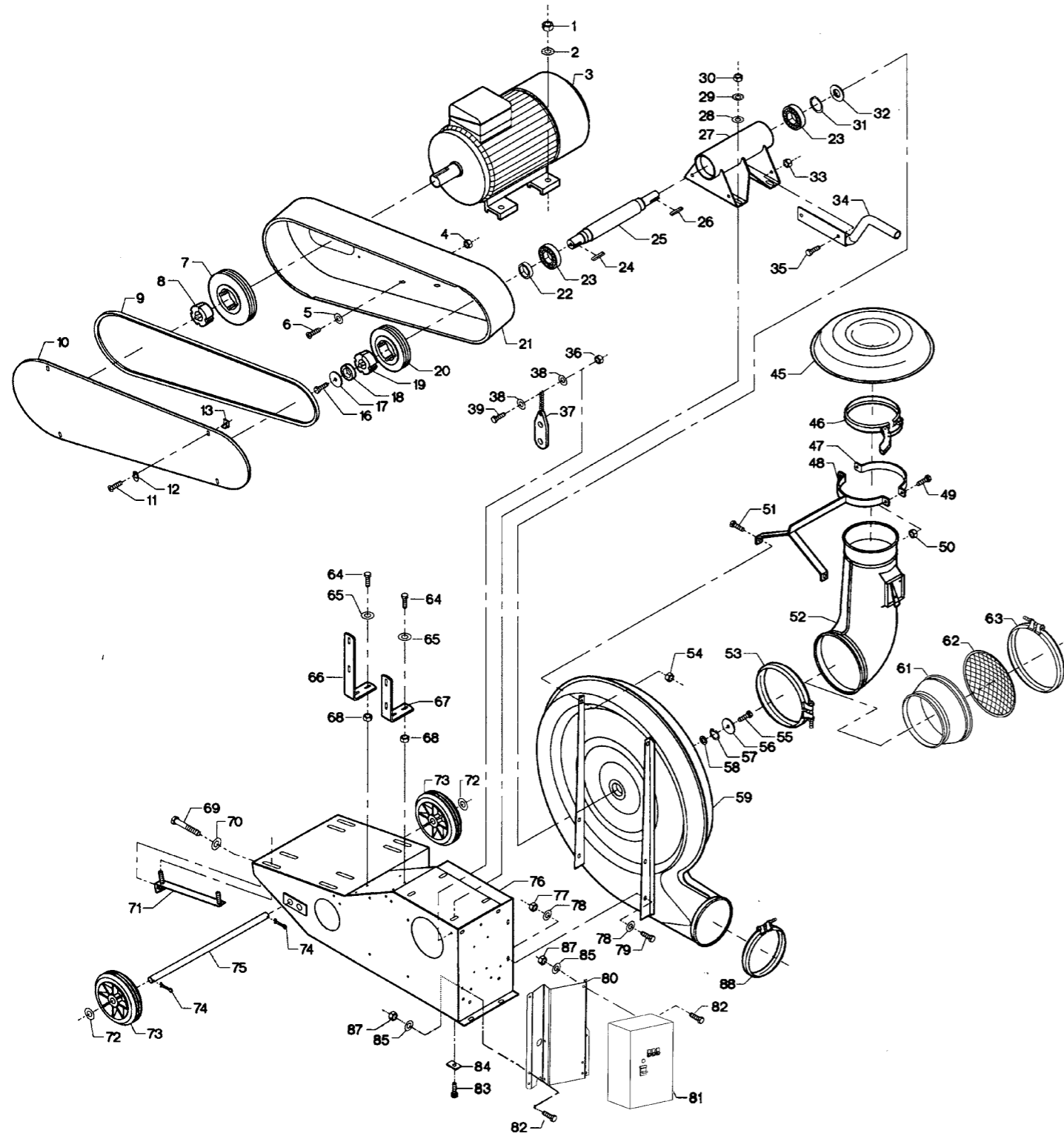
# **TRL 200**

## High pressure blower



Spare parts list

# TRL 200 - 50 & 60 Hz



## Spare parts list / TRL 200 - 50 & 60 Hz. Date: 03.2018

Fig.	Part no.	Pieces	Notes
1	100 315 016	4	Nut M12
2	100 332 005	4	Star washer M12
3	100 501 091	1	Motor 160Mx2 - B3 - 15.0 kW - 3 x 400 V - 50 Hz
	100 551 069	1	Motor 256T - 20 HP - 460 V - 60 Hz - 3525 rpm - M4106T
	100 551 070	1	Motor 256T - 20 HP - 575 V - 60 Hz - 3525 rpm - M4106T5
	100 501 310	1	Motor 160 M2 15kW B3 3 x 440V 60Hz
4	100 316 075	4	Flanged nut M6
5	100 331 004	4	Flat washer M6
6	100 321 015	4	Torx screw M6 x 16 mm
7	121 081 167	1	V-belt pulley SPZ 200 with 3 grooves, TB-2012
	121 090 067	1	V-belt pulley SPZ 224 with 3 grooves, TB-2012
8	121 090 087	1	V-belt pulley SPZ 190 with 3 grooves, TB-2012
	123 000 298	1	TB-2012-1 5/8"
	123 000 471	1	TB-2012-42 (50 Hz)
9	100 403 241	3	Raw edge moulded notch V-belt SPZ, 1787
10	121 123 232	1	
11	100 321 010	4	Torx screw M5 x 12 mm
12	121 000 686	4	
13	121 000 402	4	
16	100 306 030	1	Screw M10 x 30 mm
17	121 000 060	1	Flat washer ø53/11 x 3 mm
18	123 000 378	1	Spacer
19	123 000 183	1	TB-2012-32
20	121 081 165	1	V-belt pulley SPZ 160 with 3 grooves, TB-2012 (for 60 Hz models)
21	121 081 164	1	V-belt pulley SPZ 132 with 3 grooves, TB-2012 (for 50 Hz models)
	121 081 170	1	
22	113 026 064	1	
23	100 401 072	2	Ball bearing # 6208-2RSR C3 L12
24	100 405 014	1	Key 10 x 8 x 28 mm
25	113 026 063	1	
26	100 405 015	1	Key 8 x 7 x 36 mm
27	113 026 067	1	
Cpl:	121 090 044	1	Incl. Fig. 22 - 27 + 31
28	100 331 006	4	Flat washer M10
29	100 332 004	4	Star washer M10
30	100 315 013	4	Nut M10
31	100 407 012	1	Circlip ø40 x 1.5 mm
32	121 090 038	1	
33	100 316 004	2	Lock nut M10
34	121 081 150	1	
	121 081 193	1	
35	100 306 029	2	Screw M10 x 25 mm
36	100 316 002	1	Nut M6
37	100 511 000	1	
38	100 331 004	2	Flat washer M6
39	100 306 001	1	Screw M6 x 20 mm
45	121 123 148	1	
46	122 000 825	1	Quick release clamp OKR160
47	121 140 174	1	
48	121 005 082	1	
49	100 308 032	2	Screw M8 x 35 mm
50	100 316 003	2	Lock nut M8
51	100 308 032	2	Screw M8 x 35 mm
52	121 120 378	1	
	121 140 175	1	
53	122 050 110	1	Bolt clamp OK200
54	100 316 003	2	Lock nut M8
55	100 306 030	1	Screw M10 x 30 mm
56	121 000 060	1	Flat washer ø53/11 x 3 mm
57	100 407 001	1	Circlip ø28 x 1.2 mm
58	121 000 027	1	Flat washer ø27.8/17 x 2 mm
59	121 090 047	1	
61	122 050 075	1	
62	131 020 088	1	
63	122 000 701	1	
64	100 306 001	4	Bolt clamp OK250 Screw M6 x 20 mm
65	100 331 004	4	Flat washer M6
66	121 081 180	1	
67	121 081 179	1	
68	100 316 002	4	Lock nut M6
69	100 308 017	2	Screw M12 x 130 mm
70	100 331 007	2	Flat washer M12
71	121 080 133	2	
72	100 331 009	2	Flat washer M20
73	100 412 001	2	Wheel MA-EN 508 50/20-180/45
74	100 333 004	2	Split pin ø5 x 30 mm





**Kongskilde Industries A/S**

Skælskørvej 64

DK - 4180 Sorø

Tel. +45 72 17 60 00

[mail@kongskilde-industries.com](mailto:mail@kongskilde-industries.com)

[www.kongskilde-industries.com](http://www.kongskilde-industries.com)

[www.kongskilde-grain.com](http://www.kongskilde-grain.com)



*Air solutions / your success*