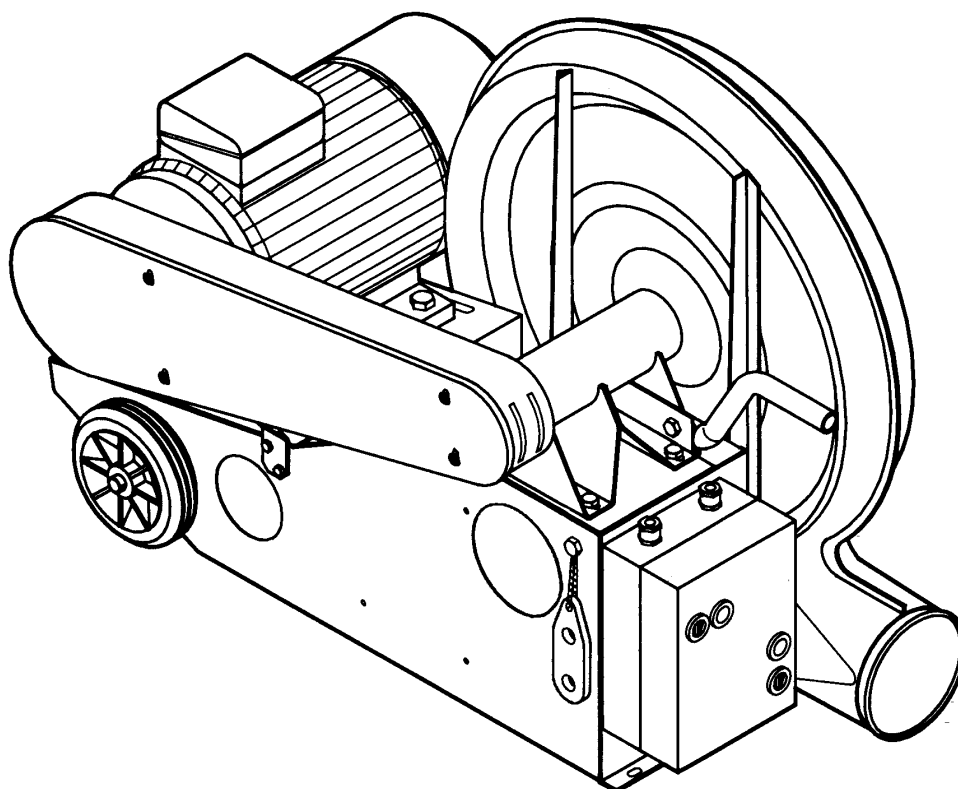


# ***TRL 150 - Industry***

## High pressure blowers



Spare parts list

# TRL 150 Industry - 50 Hz

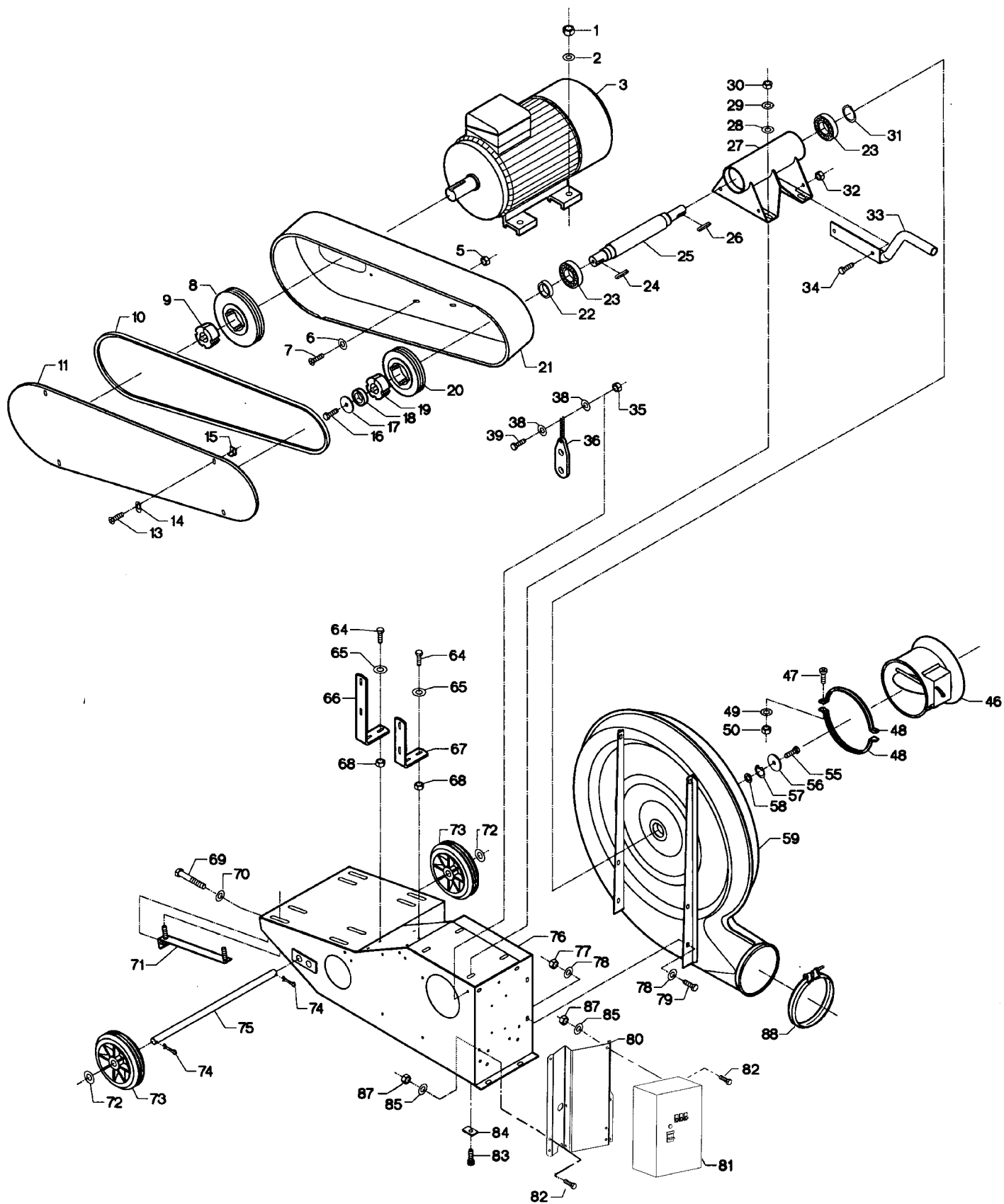


Fig.	Part no.	Pieces	Notes
1	100 315 016	4	Nut M12
2	100 332 005	4	Star washer M12
3	100 501 019	1	Motor K21R - 160 M-2 - 11.0 kW - 3 x 400 V - 50 Hz
5	100 316 075	4	Flanged nut M6
6	100 331 004	4	Flat washer M6
7	100 321 015	4	Torx screw M6 x 16 mm
8	121 081 167	1	V-belt pulley SPZ 200 with 3 grooves, TB-2012
9	123 000 471	1	TB-2012-42
10	100 403 241	3	Raw edge moulded notch V-belt SPZ 1787
11	121 123 232	1	
13	100 321 010	4	Torx screw M5 x 12 mm
14	121 000 686	4	
15	121 000 402	4	
16	100 306 029	1	Screw M10 x 25 mm
17	121 000 060	1	Flat washer ø53/11 x 3 mm
18	123 000 378	1	Spacer
19	123 000 183	1	TB-2012-32
20	121 081 164	1	V-belt pulley SPZ 132 with 3 grooves, TB-2012
21	121 081 170	1	
22	113 026 064	1	
23	100 401 072	2	Ball bearing # 6208 - 2RS
24	100 405 014	1	Key 10 x 8 x 28 mm
25	113 026 063	1	
26	100 405 015	1	Key 8 x 7 x 36 mm
27	113 026 067	1	
Cpl:	121 090 044	1	Incl. Fig. 22 - 27 + 31
28	100 331 006	4	Flat washer M10
29	100 332 004	4	Star washer M10
30	100 315 013	4	Nut M10
31	100 407 012	1	Circlip ø40 x 1.5 mm
32	100 316 004	2	Lock nut M10
33	121 081 193	1	
34	100 308 004	2	Screw M10 x 20 mm
35	100 316 002	1	Nut M6
36	100 511 000	1	
38	100 331 004	2	Flat washer M6
39	100 306 001	1	Screw M6 x 20 mm
46	121 080 164	1	
47	100 321 018	2	Torx screw M6 x 30 mm
48	121 000 727	2	
49	100 332 002	2	Star washer M6
50	100 315 028	2	Nut M6
55	100 306 029	1	Screw M10 x 25 mm
56	121 000 060	1	Flat washer ø53/11 x 3 mm
57	100 407 001	1	Circlip ø28 x 1.2 mm
58	121 000 027	1	Flat washer ø27.8/17 x 2 mm
59	121 081 154	1	
64	100 306 001	4	Screw M6 x 20 mm
65	100 331 004	4	Flat washer M6
66	121 081 180	1	
67	121 081 179	1	
68	100 316 002	4	Lock nut M6
69	100 308 017	2	Screw M12 x 130 mm
70	100 331 007	2	Flat washer M12
71	121 080 133	2	
72	100 331 009	2	Flat washer M20
73	100 412 001	2	Wheel MA-EN 508 50/20 - 180/45
74	100 333 004	2	Split pin ø5 x 30 mm
75	121 081 134	1	
76	121 081 142	1	
77	100 316 003	4	Lock nut M8
78	100 331 005	8	Flat washer M8
79	100 306 014	4	Screw M8 x 16 mm
80	121 081 190	1	
81	100 503 132	1	For 3 x 400 V - 50 Hz
82	100 306 014	8	Screw M8 x 16 mm
83	100 308 004	4	Screw M10 x 20 mm
84	121 000 058	4	Washer 25 x 40 x 5 mm/ø11 mm
85	100 331 005	8	Flat washer M8
87	100 316 003	8	Lock nut M8
88	122 000 857	1	Bolt clamp OK160

# TRL 150 Industry - 60 Hz

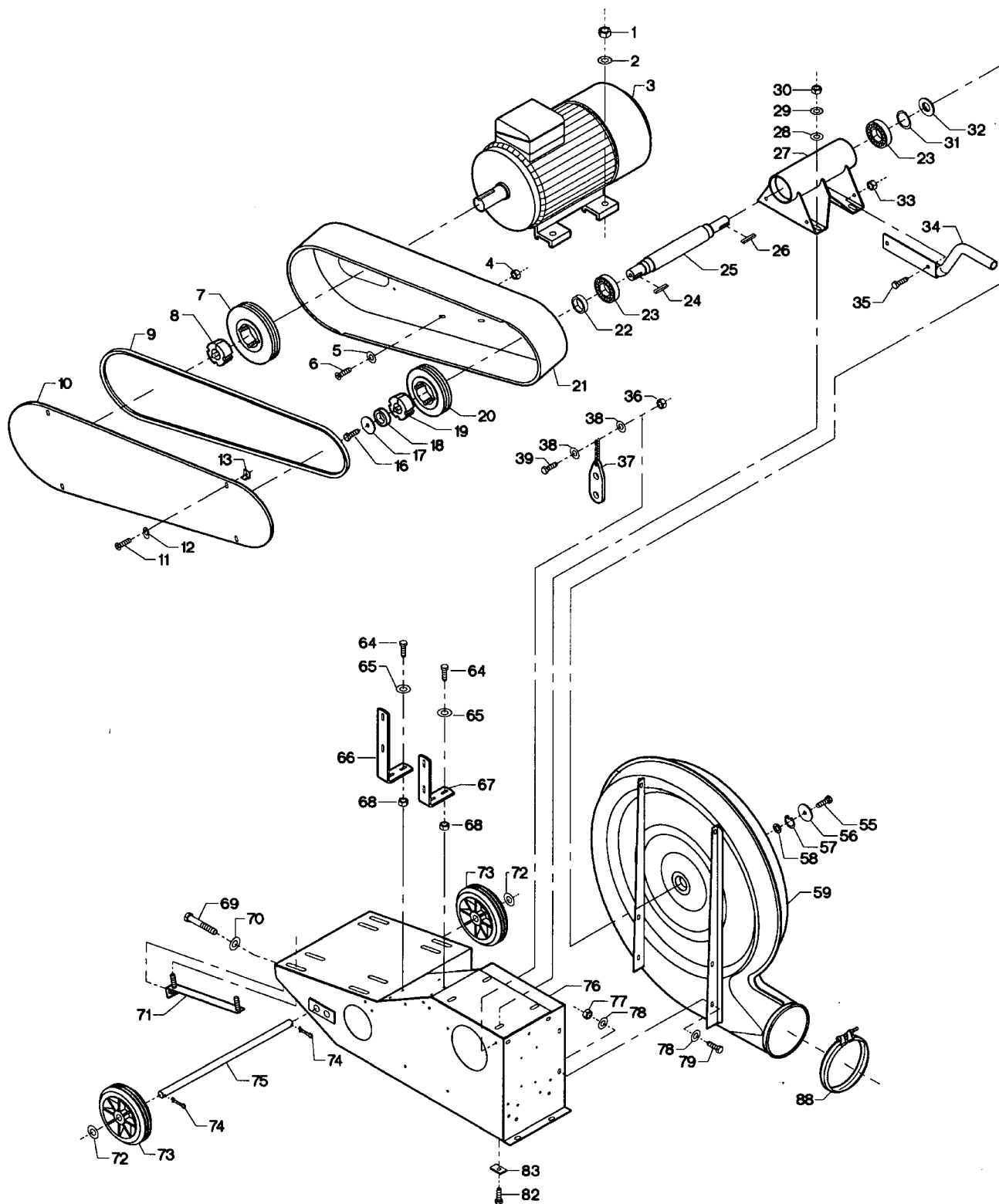
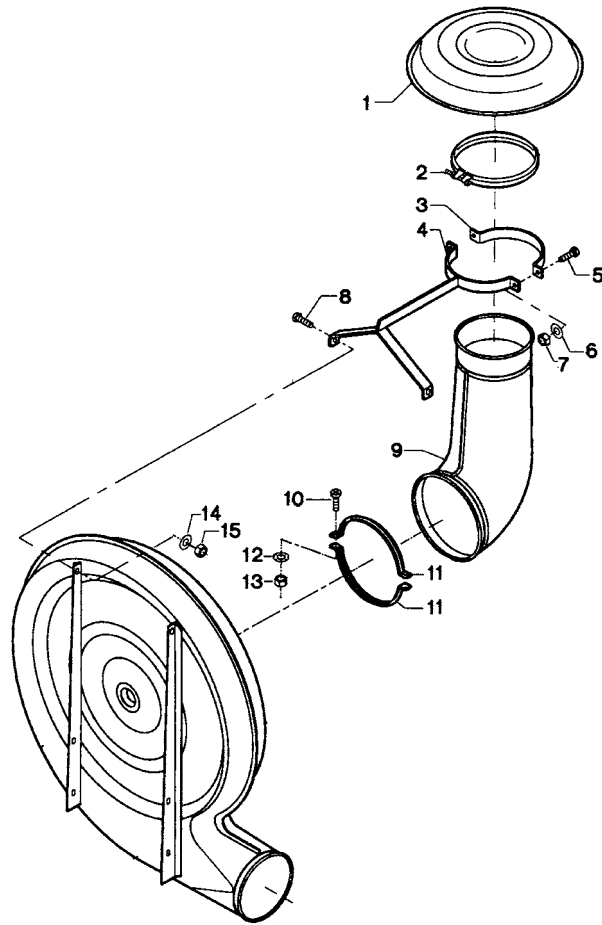


Fig.	Part no.	Pieces	Notes
1	100 315 016	4	Nut M12
2	100 332 005	4	Star washer M12
3	100 551 089	1	Motor 254T - 15 HP - 460 V - 60 Hz - 3500 rpm - M2394T
	100 551 019	1	Motor 254T - 15 HP - 575 V - 60 Hz - 3500 rpm - M2394T5
4	100 316 075	4	Flanged nut M6
5	100 331 004	4	Flat washer M6
6	100 321 015	4	Torx screw M6 x 15 mm
7	121 081 166	1	V-belt pulley SPZ 180 with 3 grooves, TB-2012
	121 081 167	1	V-belt pulley SPZ 200 with 3 grooves, TB-2012
8	123 000 298	1	TB-2012-1 5/8"
9	100 403 241	3	Raw edge moulded notch V-belt SPZ, 1787
10	121 123 232	1	
11	100 321 010	4	Torx screw M5 x 12 mm
12	121 000 686	4	
13	121 000 402	4	
16	100 306 030	1	Screw M10 x 30 mm
17	121 000 060	1	Flat washer ø53/11 x 3 mm
18	123 000 378	1	Spacer
19	123 000 183	1	TB-2012-32
20	121 081 165	1	V-belt pulley SPZ 160 with 3 grooves, TB-2012
21	121 081 170	1	
22	113 026 064	1	
23	100 401 072	2	Ball bearing # 6208-2RSR C3 L12
24	100 405 014	1	Key 10 x 8 x 28 mm
25	113 026 063	1	
26	100 405 015	1	Key 8 x 7 x 36 mm
27	113 026 067	1	
Cpl:	121 090 044	1	Incl. Fig. 22 - 27 + 31
28	100 331 006	4	Flat washer M10
29	100 332 004	4	Star washer M10
30	100 315 013	4	Nut M10
31	100 407 012	1	Circlip ø40 x 1.5 mm
32	121 090 038	1	
33	100 316 004	2	Lock nut M10
34	121 081 150	1	
35	100 306 029	2	Screw M10 x 25 mm
36	100 316 002	1	Nut M6
37	100 511 000	1	
38	100 331 004	2	Flat washer M6
39	100 306 001	1	Screw M6 x 20 mm
55	100 306 030	1	Screw M10 x 30 mm
56	121 000 060	1	Flat washer ø53/11 x 3 mm
57	100 407 001	1	Circlip ø28 x 1.2 mm
58	121 000 027	1	Flat washer ø27.8/17 x 2 mm
59	121 090 047	1	
64	100 306 001	4	Screw M6 x 20 mm
65	100 331 004	4	Flat washer M6
66	121 081 180	1	
67	121 081 179	1	
68	100 316 002	4	Lock nut M6
69	100 308 017	2	Screw M12 x 130 mm
70	100 331 007	2	Flat washer M12
71	121 080 133	2	
72	100 331 009	2	Flat washer M20
73	100 412 001	2	Wheel MA-EN 508 50/20-180/45
74	100 333 004	2	Split pin ø5 x 30 mm
75	121 081 134	1	
76	121 081 142	1	
77	100 316 003	4	Lock nut M8
78	100 331 005	8	Flat washer M8
79	100 306 014	4	Screw M8 x 15 mm
82	100 306 029	4	Set screw M10 x 25 mm
83	121 000 058	4	Washer 25 x 40 x 5 mm/ø11 mm
88	122 000 857	1	Bolt clamp OK160

# TRL 150 Industry - 60 Hz





**Kongskilde Industries A/S**

Tel. +45 33 68 35 00

[mail@kongskilde-industries.com](mailto:mail@kongskilde-industries.com)

[www.kongskilde-industries.com](http://www.kongskilde-industries.com)