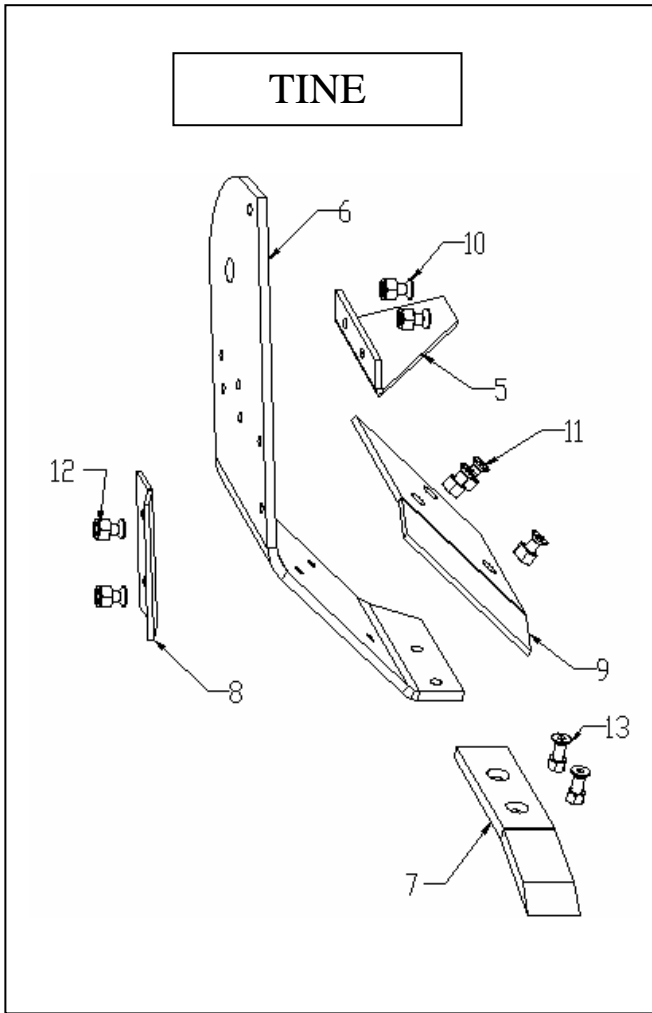
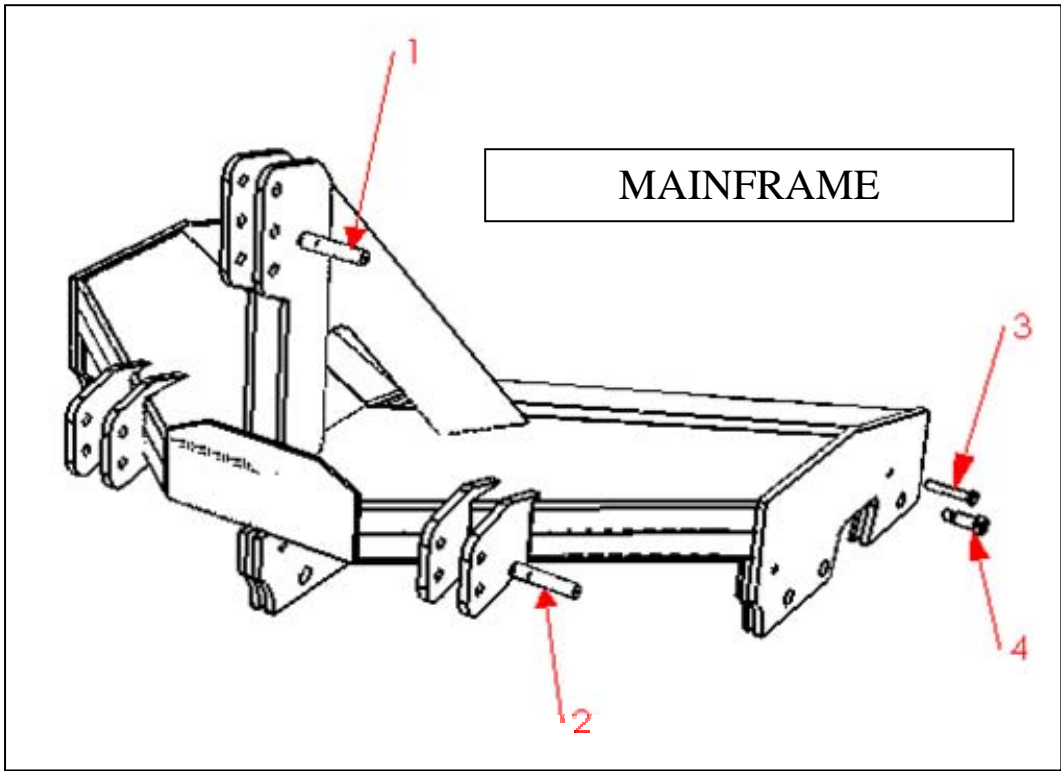


DISCOMPACT PART LIST



DISCOMPACT



SPARE PARTS LIST

FIG.	CODE	NOTES	FIG.	CODE	NOTES
1	190123	Third-Point Pin Bolt + Pin (Mdl. 5-7-R)	9	613008 613009	Blade
2	190133	Hitch Pin Bolt + Pin (Mdl. 5-7-R)	10	CARZ879144 VOLGV12714 FEMMZ14	Countersink Screw (2X) Washer grower M14 (2x) Nut M14
3	CAZ181680 FEMMZ16	Screw M16x80 Nut M16 (safety screw)	11	CARZ879144 VOLGV12714 FEMMZ14	Countersink Screw (2X) Washer grower M14 (2x) Nut M14
4	190147 VOLPZ35 FEMMZ35	Threaded Pin Clip M35 Washer Nut	12	CARZ8791440 VOLGV12714 FEMMZ14	Countersink Screw (3x) Grower M14 (3x) Nut M14 (3x)
5	613003 613004	Wing	13	CAZ791660 VOLGV12716 FEMMZ16	Countersink Screw (2x) Grower M16 (2x) Nut M16 (2x)
6	613001 613002 (15030-B)	Tine			
7	613005	Point			
8	613006 613007	Tine Protector			

➤ **GENERAL SAFETY ADVICE**

Let's show a series of norms in order to handle the equipment in the maximum secure way. Read these norms carefully and bear them always in mind while working with the equipment.

- 1 Before working with the discompact for the first time, read the current user manual carefully. Make sure all the potential users read it. The equipment must be used with care. The lack of attention is frequently a major reason behind accidents.
- 2 Identify the meaning of every single equipment sticker; keep an eye on them.
- 3 No modification will be made on the discompact without the manufacturer written permission. Every reform and assembly of non - original pieces on the equipment without such consent implies the loss of the guarantee as well as the cancellation of the manufacturer responsibility assumed on the certificate.

➤ **WARRANTY**

All of our machines are guaranteed against any manufacture defects for one year from the date of delivery, this last guarantee condition should be recognized by JYMPA in order to be effective, in which case, the assembly, disassembly, transport and shipping expenses shall be on the user's account, while the new spare parts should be on our company's charge

Machines attached to non recommended power tractors as well as equipment modified by the client are excluded from this guarantee .


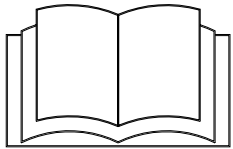



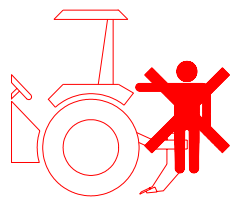

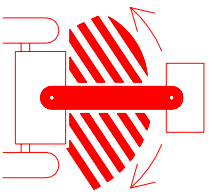
JYMPA Maquinara Agrícola shall not admit any claim because of personal accidents caused by either misuse or non compliance with the security norms set up

➤ STICKERS EXPLANATION

Stickers have been placed in some points considered particularly dangerous in order to inform about the kind of danger the user may be.

Keep the stickers in good state. In case they are worn out, please proceed to ask the manufacturer or the dealer for new ones and replace them immediately.

The warning stickers are

		<p>Read the instructions manual carefully.</p>			<p>Injection danger or pressurized flow projection.</p>
		<p>Do not place yourself on the discompact.</p>			<p>Special care if located between the tractor and equipment..</p>