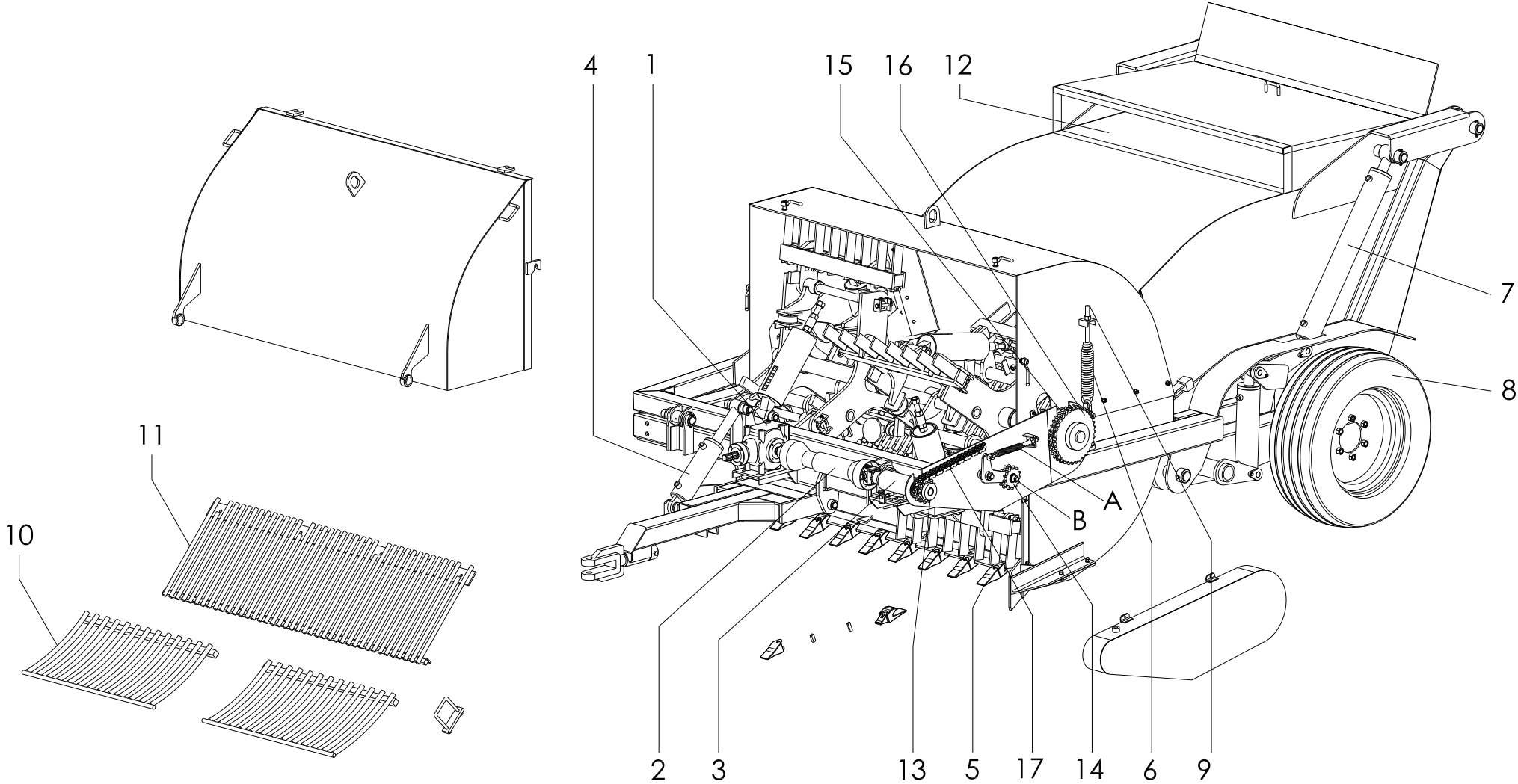


SPARE PARTS

STONE COLLECTOR MYM

MOD. 185-205 DX / AM

MYM-185/205 DX /AM



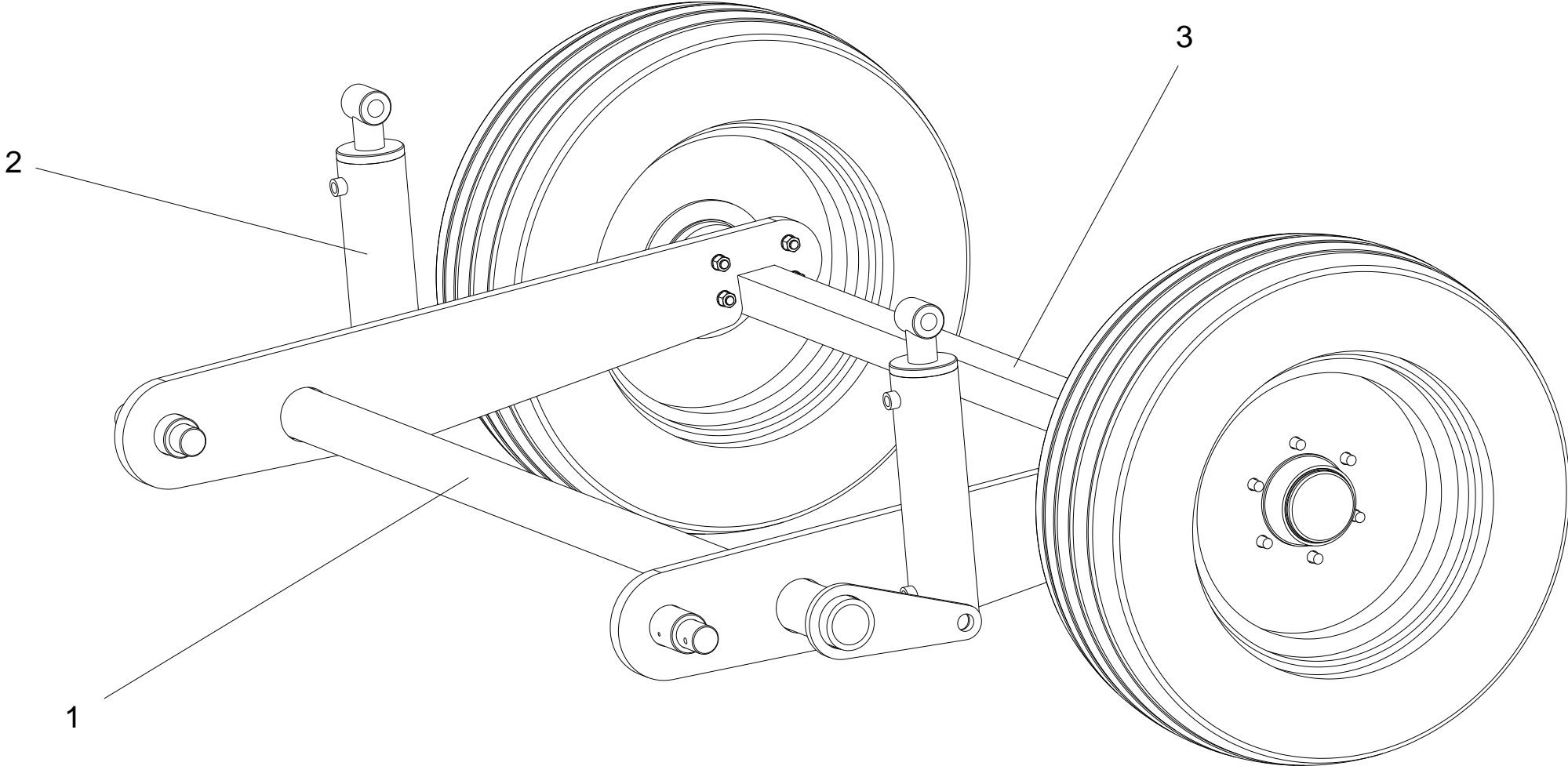
STONE COLLECTOR MYM

STONE COLLECTOR MYM-205 DX/AM



N° PIECE	DENOMINATION	UNITS
1	Transmission Group S2071 193 F 101 Bondioli Pavesa	1
2	Transmission Cardan 2008/1100/KH/48.1-52	1
3	Drive gear transmission assembly	1
4	Hitch's cylinder 50-90-235 DBM 90/70	1
5	Foundry replaceable toes	9
6	Traction spring of floating axis 230 s/gx62x10	2
7	Hopper's cylinder 50-100-850 DBM 400/85	2
8	Wheel 19.5" 285/70R Firestone	2
9	Threaded rod M20 L=245 mm + 2 Screw M20 + 2 Washer D = 20	2
10	Inferior replaceable grill. Available in different sizes: 20/30/40/50/60 mm.	2
11	Superior grill. Standard size: 30 mm	1
12	Viewer indicator Hopper full	1
13	Sprocket M8-DR-14	1
14	Chain tensor assembly A – Tensor spring 165 s/g x 30 x 5 mm B – Tensor sprocket: KS – 1" – Z – 13	1
15	Bearing PCJ 60N	2
16	Pinion of axis' rotor M8-DR-35	1
17	Chain Ref. 16 B2	2

DOUBLE CHASSIS MYM 205 DX



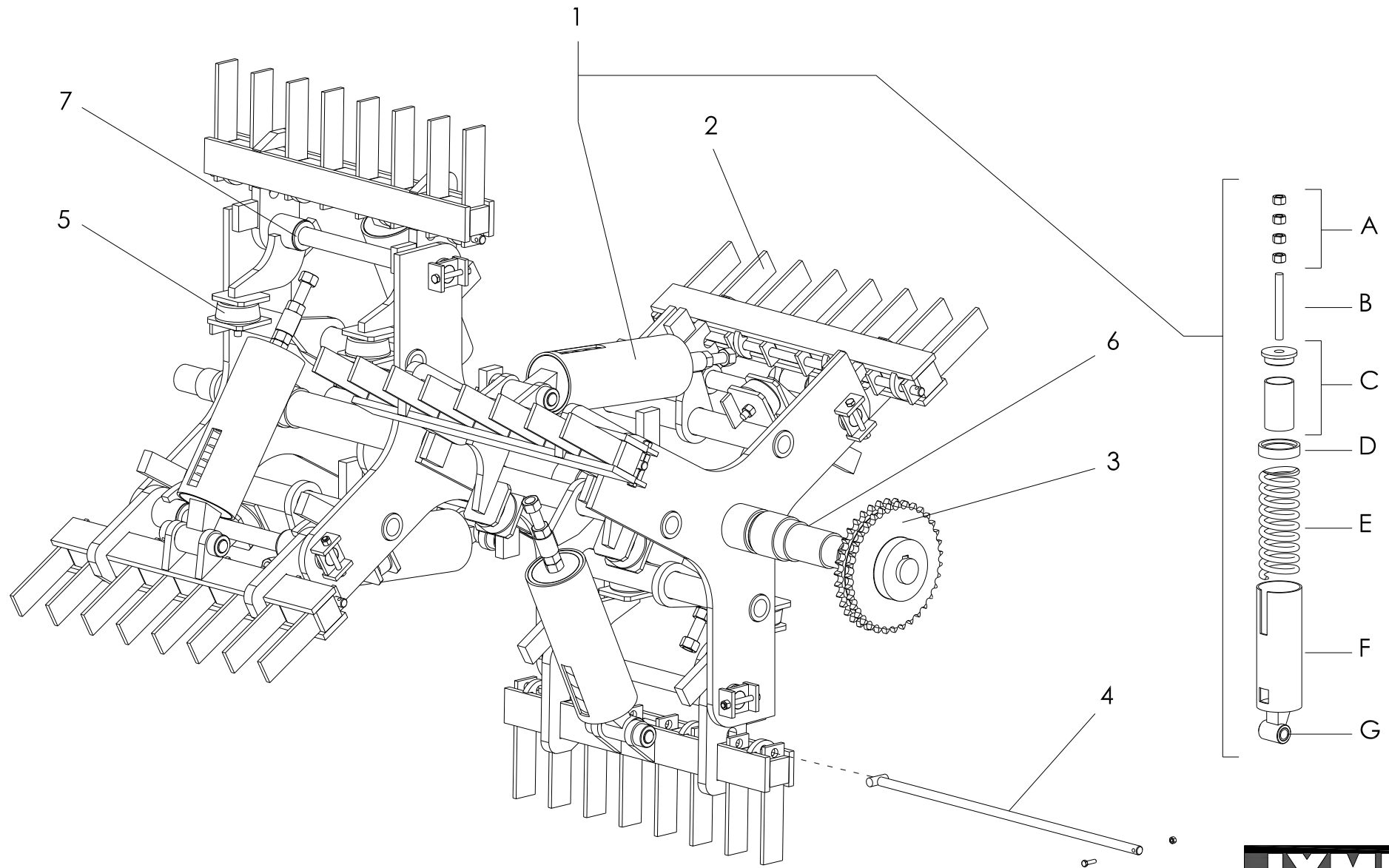
STONE COLLECTOR MYM



DOUBLE CHASSIS DESPEDREGADORA MYM-205 DX

N° PIECE	DENOMINATION	UNITS
1	Chassis	1
2	Double chassis' cylinder 706/3 (50-100-300DE)	1
3	Axis	1

ROTOR MYM 205 DX / 205 AM



STONE COLLECTOR MYM

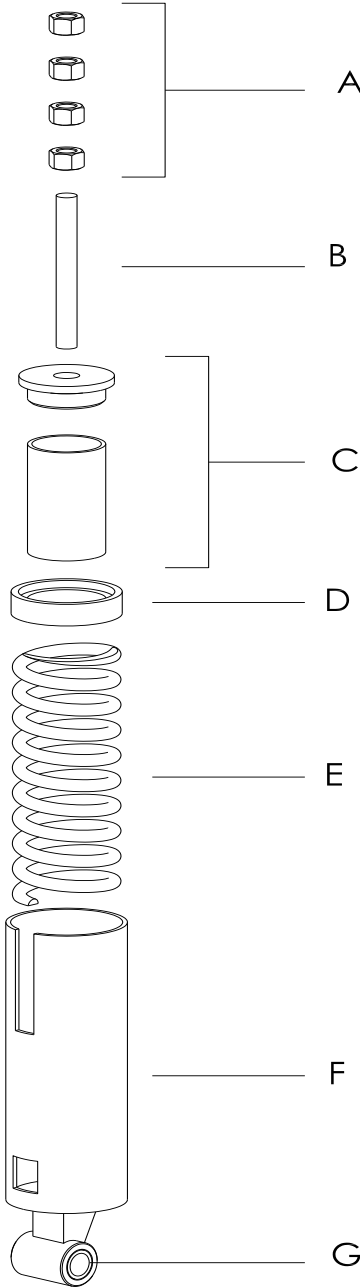
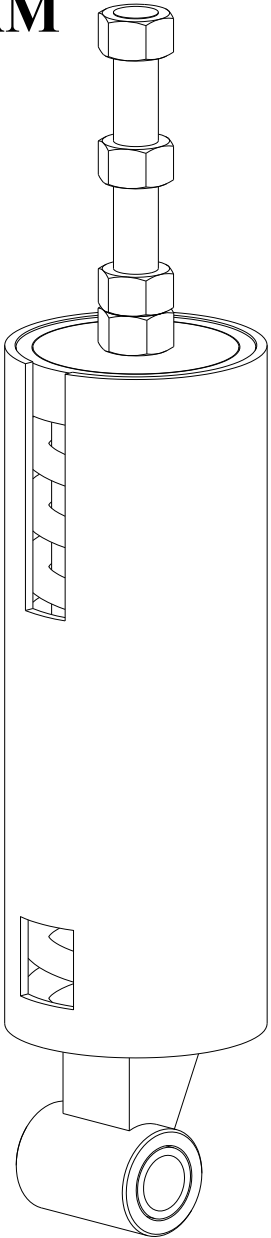
ROTOR MYM-205 DX/AM



N° PIECE	DENOMINATION	UNITS
1	Bottle assembly: A – Screw M27 B – Steel rod M27 a L = 230 mm C – Oxyfuel machined piece guide tube welded D – Nylon lathed piece E – Compression spring 350 x 127 x 16 F – Bottle shell G – Nylon shell	6
2	Blade	51/41
3	Pinion shaft rotor M-8-DR-35 Cogwheel CH	1
4	Steel rod d = 20 Short comb (8 blade) L = 820 Long comb (9 blade) L = 930	2 4
5	Silent block 100 x 40 M16	12
6	Axis Ø80 x 1990 mm (MYM-185) / 2285 mm (MYM-205)	1
7	Nylon shell	12

ROTOR'S BOTTLE

MYM-185/205 DX/205 AM



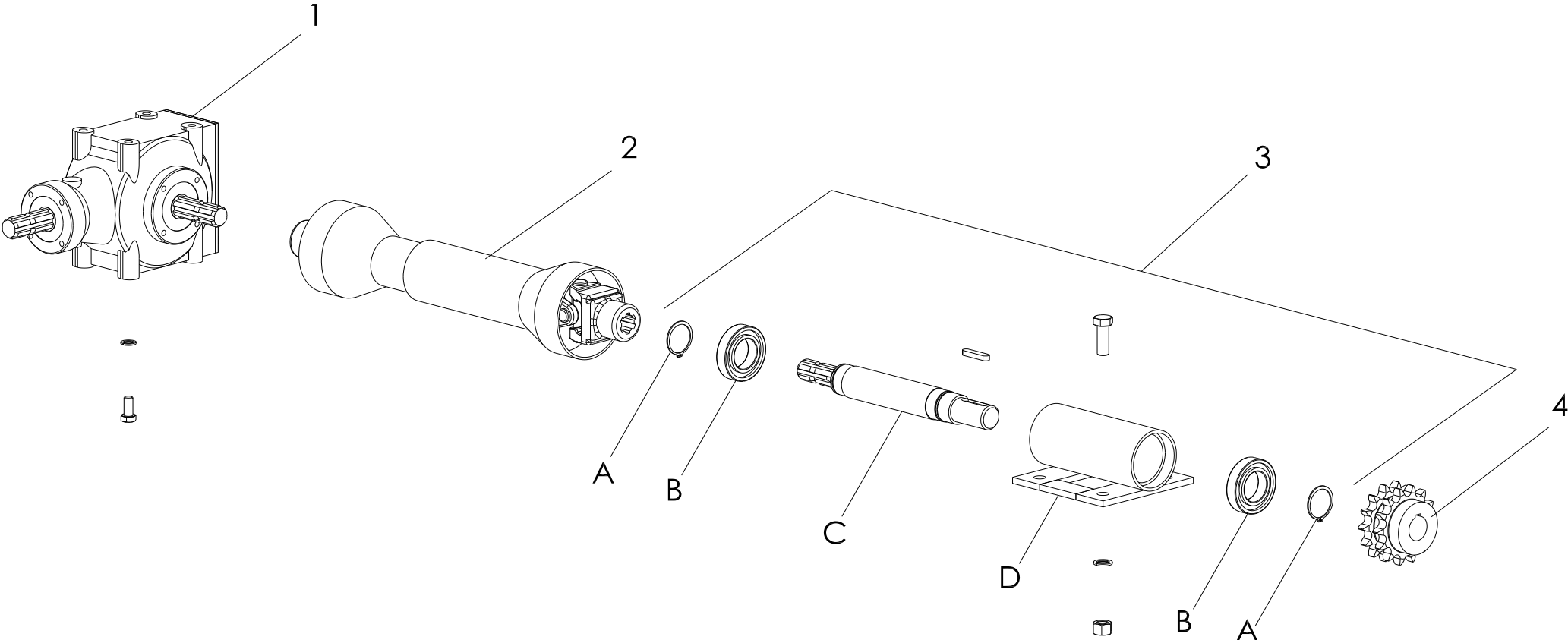
STONE COLLECTOR MYM

ROTOR'S BOTTLE MYM-185/205 DX/205 AM



N° PIECE	DENOMINATION	UNITS
A	Screws M27	4
B	Steel rod M27, L = 230 mm	1
C	Oxyfuel machined piece guide tube welded	1
D	Nylon lathed piece	1
E	Compression spring 350x127x16	1
F	Bottle shell	1
G	Nylon shell	1

TRANSMISSION ASSEMBLY – DRIVE AXIS MYM-185/205 DX



STONE COLLECTOR MYM



TRANSMISSION ASSEMBLY – DRIVE AXIS MYM-185/205 DX/205AM

N° PIECE	DENOMINATION	UNITS
1	Transmission group S2071 193 F 101 Bondioli Pavesi	1
2	Transmission cardan 2008/1100/KH/48.1-52	1
3	Drive gear transmission assembly A – Seger E-50 B – Bearing 6210 2RS C – Transmission axis of rotor D – Transmission shell	1
4	Small pinion M8-DR-14	1